

DESIGN DEVELOPMENT DRAWING

Deliverable #3
November 1st



National Chiao Tung University

1001 TA HSUEH ROAD, HSINCHU, TAIWAN 30010

Phone: 886-3-5718083

www.sde.tw
facebook.com/twsde
twitter.com/NCTU_UNICODE



GE-001 COVER SHEET

1. GENERAL

GE-001	Cover Sheet
GE-101	Sheet List 1
GE-102	Sheet List 2
GE-201	General Symbols
GE-211	General Abbreviations
GE-301	Urban Project Location
GE-310	Urban Proposal Explanation 1
GE-311	Urban Proposal Explanation 2
GE-320	Existing Building Drawings and Analysis
GE-330	Competition Dwelling
GE-401	Pavilion East Side Rendering
GE-402	Pavilion West Side Rendering

2. ARCHITECTURAL

AR-001	Solar Village Plan
AR-002	Site Plan
AR-011	Solar Envelope
AR-014	Architecture Footprint
AR-017	Measurable Area
AR-021	Ground Level Plan
AR-022	Mezzanine Level Plan
AR-031	Roof Level Plan
AR-041	Reconfigurable Feature 1
AR-042	Reconfigurable Feature 2
AR-043	Reconfigurable Feature 3
AR-044	Reconfigurable Feature 4
AR-051	Site Entrance and Exit
AR-101	Site Elevation
AR-111	East Elevation
AR-112	North Elevation
AR-113	South Elevation
AR-114	West Elevation
AR-201	Longitudinal Section 1
AR-202	Longitudinal Section 2
AR-203	Longitudinal Section 3
AR-211	Transversal Section 1
AR-212	Transversal Section 2
AR-213	Transversal Section 3
AR-301	Window Schedule and Details 1
AR-302	Window Schedule and Details 2
AR-303	Window Schedule and Details 3
AR-304	Window Schedule and Details 4
AR-305	Window Schedule and Details 5
AR-306	Window Schedule and Details 6
AR-307	Window Schedule and Details 7
AR-308	Window Schedule and Details 8
AR-309	Window Schedule and Details 9
AR-311	Door Schedule and Details 1
AR-312	Door Schedule and Details 2
AR-321	Floor Construction Details Ground Level
AR-322	Floor Construction Details Mezzanine Level
AR-331	Roof Construction Details
AR-341	Wall Sections and Construction Details 1
AR-342	Wall Sections and Construction Details 2
AR-343	Wall Sections and Construction Details 3
AR-351	Joint Details 1
AR-352	Joint Details 2
AR-353	Joint Details 3
AR-354	Joint Details 4
AR-361	Stair Details
AR-362	Greencore Details

3. BIOCLIMATIC ANALYSIS (BA)

BA-001	Taipei Climate Analysis
BA-002	Taipei Shading Analysis
BA-003	Taipei Wind Rose Analysis
BA-004	Versailles Climate Analysis

BA-005	Versailles Shading Analysis
BA-006	Versailles Wind Rose Analysis
BA-011	Bioclimatic Strategies
BA-012	Natural Ventilation
BA-013	Solar Chemny
BA-014	Earth/Vgetation cooling
BA-015	Evaporative Cooling
BA-016	Phase Change Material Cooling
BA-017	Direct Solar Heating
BA-018	Bioclimatic Drawings Heating
BA-019	Thermal Wall Underheated Season
BA-020	Thermal Wall Overheated Season
BA-021	Heat Exchanger
BA-022	Heat Pump

4. INTERIORS (IN)

IN-001	Ground Level Floor
IN-002	Mezzanine Level Floor
IN-101	Reflected Ceiling
IN-201	Interior Elevation 1
IN-202	Interior Elevation 2
IN-203	Interior Elevation 3
IN-204	Interior Elevation 4
IN-301	Ground Level Furnishings
IN-302	Mezzanine Level Furnishings
IN-401	Kitchen Plan
IN-411	Kitchen Elevations
IN-413	Workstation Elevation
IN-414	Workstation Axon
IN-501	Bathroom Plan
IN-511	Bathroom Elevations
IN-601	Interior Rendering Entrance
IN-602	Interior Rendering Living Room
IN-603	Interior Rendering 2nd Floor
IN-604	Interior Rendering View From Terrace

5. STRUCTURAL (ST)

ST-001	Foundation Plan and Details
ST-002	Structural Floor Unit
ST-011	Structural Ground Level Plan
ST-012	Structural Mezzanine Level Plan
ST-021	Structural Roof Plan
ST-101	Structural Longitudinal Sections Frame 1
ST-102	Structural Longitudinal Sections Frame 2
ST-103	Structural Longitudinal Sections Frame 3
ST-104	Structural Longitudinal Sections Frame 4
ST-111	Structural Transversal Sections Frame A
ST-112	Structural Transversal Sections Frame A-3
ST-113	Structural Transversal Sections Frame A-4
ST-114	Structural Transversal Sections Frame B
ST-115	Structural Transversal Sections Frame B-1
ST-116	Structural Transversal Sections Frame C
ST-117	Structural Transversal Sections Frame C-1
ST-118	Structural Transversal Sections Frame D
ST-201	Structural Blow ups
ST-301	Structural Details
ST-302	Structural Details Axon
ST-401	Structural Axon



Project:



Institution:



NCTU Architecture
國立交通大學建築研究所

Team Name: NCTU/UNICODE
Address: 1001 Ta-Hsueh Road
Hsinchu City 30010
Taiwan
Contact: www.sde.tw



Consultants:

Note:

Mark	Date	Description
DN	2013/04/01	SD Submission
DN	2013/07/01	DDc Submission
ST	2013/11/01	DD Submission

Drawn by	ST
Checked by	DN
Scale	-
Unit	-

DWG. Title
SHEET LIST 1

DWG. No.
GE-101

6. FIRE PROTECTION (FP)

FP-001 Fire Protection : Ground Level
 FP-002 Fire Protection : Mezzanine Level

7. PLUMBING (PL)

PL-001 Plumbing Supply and Removal Ground Level Plan.
 PL-002 Plumbing Supply and Removal Ground Mezzanine Plan.
 PL-011 Gray Water Ground Level
 PL-012 Gray Water Mezzanine Level
 PL-021 Drain / Waste / Vent
 PL-101 Schematic diagram
 PL-102 Schematic diagram
 PL-201 Supply and removal Isometric
 PL-202 Supply and removal Isometric
 PL-211 Grey water Isometric
 PL-221 Drain/Waste/Vent Isometric

8. SOLAR WATER HEATING (SW)

SW-001 Plan
 SW-101 Isometric

9. MECHANICAL (ME)

ME-001 HVAC DISTRIBUTION PLAN
 ME-011 HVAC equipment 1
 ME-012 HVAC equipment 2
 ME-021 Heating
 ME-031 Cooling
 ME-041 Ventilation
 ME-101 Mechanical room elevations
 ME-201 HVAC System Schematic drawings
 ME-211 Heating mode Schematic drawings
 ME-221 Cooling mode Schematic drawings
 ME-231 Controls
 ME-301 Isometric Distribution

10. ELECTRICAL (EL)

EL-001 Grid interconnection
 EL-201 DC wiring diagram
 EL-301 Ground level Power plan
 EL-302 Mezzanine level Power plan
 EL-401 Site Lighting Plan
 EL-402 Ground Level Lighting Plan
 EL-403 Mezzanine Level Lighting Plan
 EL-501 One-line Diagram 1
 EL-502 One-line Diagram 2
 EL-503 One-line Diagram 3
 EL-601 Ground level AC Circuit layout
 EL-602 Mezzanine level AC Circuit layout

11. PHOTOVOLTAIC SYSTEM (PV)

PV-001 Photovoltaic System: General
 PV-002 Photovoltaic System: General 2
 PV-011 Photovoltaic System: DC circuits
 PV-021 Photovoltaic System: AC circuits
 PV-031 Photovoltaic System: grounding system
 PV-041 Photovoltaic System: grounding system
 PV-042 Photovoltaic System: grounding system

12. TELECOMMUNICATIONS AND BUILDING AUTOMATIZATION SYSTEM (BAS)

BAS-001 Wiring plan Ground Level
 BAS-002 Wiring plan Mezzanine Level
 BAS-101 Schematic diagram
 BAS-102 Schematic diagram
 BAS-201 Equipment

13. SDE INSTRUMENTATION DRAWINGS (ID)

ID-001 General Monitoring Ground Level
 ID-002 General Monitoring Mezzanine Level
 ID-011 Monitoring Panel Room
 ID-021 Electricity Meters Topology
 ID-031 Electricity Meters Connection
 ID-041 House Appliances Ground Level
 ID-042 House Appliances Mezzanine Level

14. SITE OPERATION (SO)

SO-001 Trucks shipment 1
 SO-002 Trucks shipment 2
 SO-003 Trucks shipment 3
 SO-101 Solar Village
 SO-102 Lot plan
 SO-201 Phases
 SO-202 Phase 1 Site Preparation
 SO-203 Phase 2 Module Unit 1
 SO-204 Phase 2 Module Unit 2
 SO-205 Phase 2 Module Unit 3
 SO-206 Phase 2 Module Unit 4
 SO-207 Phase 3 Main Structure
 SO-208 Phase 4 Appliance & Electricity
 SO-209 Phase 5 Roof
 SO-210 Phase 6 Exterior Wall
 SO-211 Phase 7 Floor & Windows 1
 SO-212 Phase 7 Floor & Windows 2
 SO-213 Phase 7 Floor & Windows 3
 SO-214 Phase 7 Floor & Windows 4
 SO-215 Phase 8 Furniture & Planting
 SO-216 Phase 9 Lot Clean & Test

15. HEALTH AND SAFETY (HS)

HS-001 Health and Safety in the lot and surroundings 1
 HS-002 Health and Safety in the lot and surroundings 2
 HS-101 Health and Safety during the Outside Logistic
 HS-201 Health and Safety during the Inside Logistic
 HS-301 Health and Safety during load / unload
 HS-401 Health and Safety during assembly 1
 HS-402 Health and Safety during assembly 2
 HS-403 Health and Safety during assembly 3
 HS-404 Health and Safety during assembly 4
 HS-405 Health and Safety during assembly 5
 HS-406 Health and Safety during assembly 6
 HS-407 Health and Safety during assembly 7
 HS-408 Health and Safety during assembly 8
 HS-409 Health and Safety during assembly 9
 HS-410 Health and Safety during assembly 10
 HS-411 Health and Safety during assembly 11
 HS-412 Health and Safety during disassembly 1
 HS-413 Health and Safety during disassembly 2
 HS-414 Health and Safety during disassembly 3
 HS-415 Health and Safety during disassembly 4
 HS-416 Health and Safety during disassembly 5
 HS-417 Health and Safety during disassembly 6
 HS-418 Health and Safety during disassembly 7

16. PUBLIC TOUR (PT)

PT-001 Site accessibility Plan
 PT-001 Site accessibility Elevation
 PT-101 House Tour Plan
 PT-201 House Tour General Information



Project:



Institution:



NCTU Architecture
 國立交通大學建築研究所

Team Name: NCTU/UNICODE
 Address: 1001 Ta-Hsueh Road
 Hsinchu City 30010
 Taiwan
 Contact: www.sde.tw



Consultants:

Note:

Mark	Date	Description
DN	2013/04/01	SD Submission
DN	2013/07/01	DDc Submission
ST	2013/11/01	DD Submission

Drawn by ST
 Checked by DN
 Scale -
 Unit -

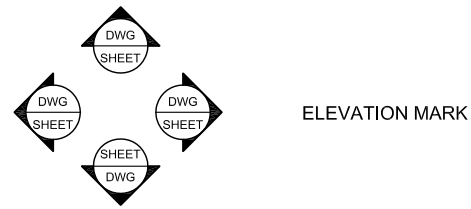
DWG. Title

SHEET LIST 2

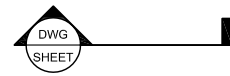
DWG. No.

GE-102

GENERAL SYMBOLS



ELEVATION MARK



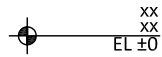
SECTION MARK



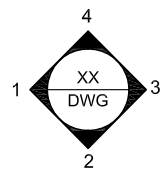
ROOM TAG



GRID NUMBER



ELEVATION MARKER



INTERIOR ELEVATION MARKER



DOOR TAG



WINDOW TAG



RECESSED DN LIGHT



WATERPROOF RECESSED DN LIGHT



SPRINKLER



SMOKE DETECTOR



SMOKE ALARM



FIRE EXTINGUISHER



EXIST SIGN



EXIST DIRECTION



Project:



Institution:



NCTU Architecture
國立交通大學建築研究所

Team Name: NCTU/UNICODE
Address: 1001 Ta-Hsueh Road
Hsinchu City 30010
Taiwan
Contact: www.sde.tw



Consultants:

Note:

Mark	Date	Description
DN	2013/04/01	SD Submission
DN	2013/07/01	DDc Submission
ST	2013/11/01	DD Submission

Drawn by: SS
Checked by: DN
Scale: -
Unit: -

DWG. Title
GENERAL SYMBOLS

DWG. No.
GE-201

GENERAL ABBREVIATIONS

Pound: OR Number
 &: And
 @: At
 ACT: Acoustic Ceiling Tile
 AD: Area Drain
 AFF: Above Finished Floor
 ALUM: Aluminum
 ANOD: Anodized
 BSMT: Basement
 BYND: Beyond
 BOT: Bottom
 CIP: Cast In Place
 CHNL: Channel
 CJ: Control Joint
 CLG: Ceiling
 CLR: Clear
 CMU: Concrete Masonry Unit
 COL: Column
 COMPR: Compressible
 CONC: Concrete
 CONT: Continuous
 CPT: Carpet
 CT: Ceramic Tile
 CTYD: Courtyard
 DBL: Double
 DEMO: Demolish or Demolition
 DIA: Diameter
 DIM: Dimension
 DIMS: Dimensions
 DN: Down
 DR: Door
 DWG: Drawing
 EA: Each
 EJ: Expansion Joint
 EL: Elevation
 ELEC: Electrical
 ELEV: Elevator or Elevation
 EPDM: Ethylene Propylene Diene M-Class (Roofing)
 EQ: Equal
 EXIST: Existing
 EXP JT: Expansion Joint
 EXT: Exterior
 FD: Floor Drain or Fire Department
 FEC: Fire Extinguisher Cabinet
 FIXT: Fixture
 FLR: Floor
 FM: Filled Metal
 FO: Face Of
 FND: Foundation
 GA: Gauge
 GALV: Galvanized
 GWB: Gypsum Wall Board
 HC: Hollow Core
 HI: High
 HM: Hollow Metal
 HP: High Point
 HR: Hour
 HVAC: Heating, Ventilating, And Air Conditioning
 IRGWB: Impact Resistant Gypsum Wall Board
 ILO: In Lieu Of
 INSUL: Insulated or Insulation
 INT: Interior
 LO: Low

MAX: Maximum
 MO: Masonry Opening
 MECH: Mechanical
 MEMBR: Membrane
 MIN: Minimum
 MRGWB: Moisture-Resistant Gypsum Wall Board
 MTL: Metal
 NIC: Not In Contract
 NO: Number
 NOM: Nominal
 OC: On Center
 OH: Opposite Hand
 OZ: Ounce
 PCC: Pre-Cast Concrete
 PLUMB: Plumbing
 PLYD: Plywood
 PT: Pressure Treated
 PNT: Paint or Painted
 PVC: Polyvinyl Chloride
 RBR: Rubber
 RCP: Reflected Ceiling Plan
 RD: Roof Drain
 REQD: Required
 RM: Room
 SIM: Similar
 SPEC: Specified OR Specification
 SPK: Sprinkler or Speaker
 SSSL: Stainless Steel
 STC: Sound Transmission Coefficient
 STL: Steel
 STRUCT: Structure or Structural
 T&G: Tongue And Groove
 TELE: Telephone
 TLT: Toilet
 TO: Top Of
 TOC: Top Of Concrete
 TOS: Top Of Steel
 TPD: Toilet Paper Dispenser
 T/D: Telephone/Data
 TYP: Typical
 UNO: Unless Noted Otherwise
 U/S: Underside
 VIF: Verify In Field
 VP: Vision Panel
 W/: With
 WD: Wood



Project:



Institution:



NCTU Architecture
 國立交通大學建築研究所

Team Name: NCTU/UNICODE
 Address: 1001 Ta-Hsueh Road
 Hsinchu City 30010
 Taiwan
 Contact: www.sde.tw



Consultants:

Note:

Mark	Date	Description
DN	2013/04/01	SD Submission
DN	2013/07/01	DDc Submission
ST	2013/11/01	DD Submission

Drawn by: DN
 Checked by: DN
 Scale: -
 Unit: -

DWG. Title
GENERAL ABBREVIATIONS

DWG. No.
GE-211

Taipei, Taiwan

Population: 2,650,900 P
 Area: 271.8 Km²
 Density: 9,753 P/Km²



INTRODUCTION

Taiwan is a small, developed island country located on the Tropic of Cancer and mainly mountainous.

Most of the 22 million people of Taiwan live along the coast and as a result, urban areas such as the capital city, Taipei, have extremely high population densities.

Although Taipei is so small a city comparing to other cities, it has well-developed infrastructure and people can enjoy convenient life.

Comparing to other cities which are plain, Taipei has only 45% flat region available for developing. Therefore, Taipei is much more crowded than other cities.

This way of development has caused several problems.
 First, Taipei city uses a lot of electricity that is supplied from a factory far outside the city limits.
 Second, the numerous high-rises and lack of vegetation create a heat island effect.
 Third, the sewage system cannot adequately handle heavy typhoon rains, which also contributes to storm water runoff problems.



Project:



Institution:



NCTU Architecture
 國立交通大學建築研究所

Team Name: NCTU/UNICODE

Address: 1001 Ta-Hsueh Road
 Hsinchu City 30010
 Taiwan

Contact: www.sde.tw



Consultants:

Note:

Mark	Date	Description
DN	2013/04/01	SD Submission
DN	2013/07/01	DDc Submission
ST	2013/11/01	DD Submission

Drawn by ST

Checked by DN

Scale -

Unit -

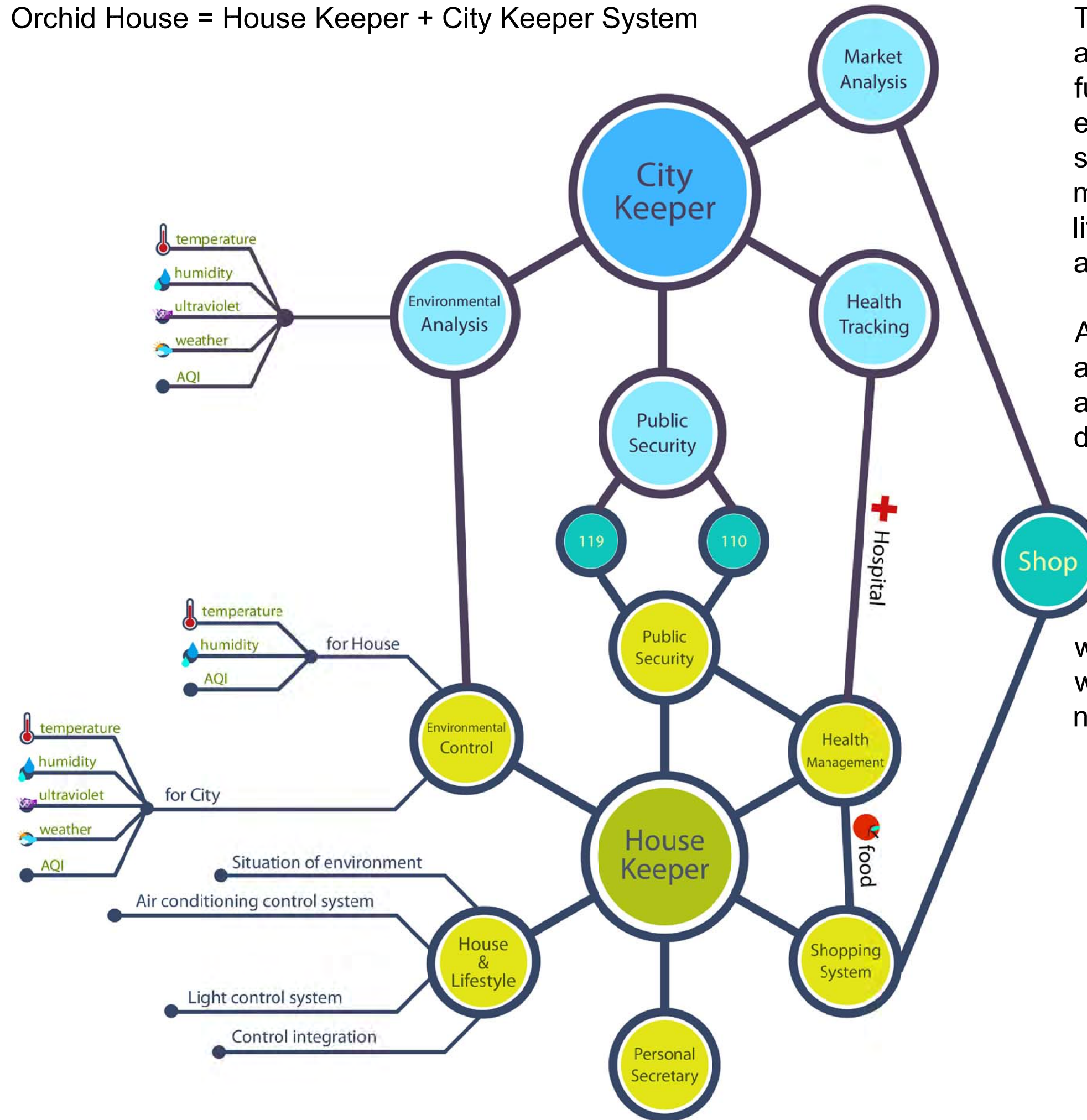
DWG. Title

Urban Project Location

DWG. No.

GE-301

Orchid House = House Keeper + City Keeper System



The house keeper system is a basic node including some functions, such as environment control, public security, health management, house and life-style, personal secretary and shopping system.

All the functions will act as an in-house intelligent application and create a database system.

The possibility of solar house prototype is to integrate the nodes and form a city keeper system which is highly well-interweaved in the city network.



NCTU Architecture
國立交通大學建築研究所

Team Name: NCTU/UNICODE
Address: 1001 Ta-Hsueh Road
Hsinchu City 30010
Taiwan
Contact: www.sde.tw



Consultants:

Note:

Mark	Date	Description
DN	2013/04/01	SD Submission
DN	2013/07/01	DDc Submission
ST	2013/11/01	DD Submission

Drawn by: RL
Checked by: DN
Scale: -
Unit: -

DWG. Title: URBAN PROPOSAL EXPLANATION 1

DWG. No.: GE-310



Mark	Date	Description
DN	2013/04/01	SD Submission
DN	2013/07/01	DDc Submission
ST	2013/11/01	DD Submission

Drawn by SC

Checked by DN

Scale -

Unit -

DWG. Title

URBAN PROPOSAL
EXPLANATION 2

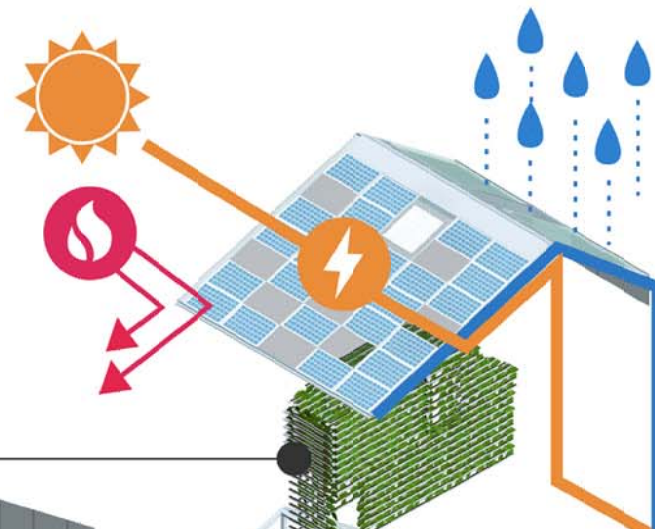
DWG. No.

GE-311

GREEN CORE

Green Core serves as the heart/ engine of the Orchid House - it keeps the temperature in balance, provides the exchange of fresh air, and kicks off recycling system for the irrigation of plants. The difference in temperature will be immediately sensible to visible to the one who enters the Orchid House.

Green Core



MECHANICAL ROOM

Mechanical Room serves as the engine/hub of the Orchid House - it is a storage of being dedicated to the mechanical and electrical equipment.

Mechanical Room

Thermal Wall

THERMAL WALL

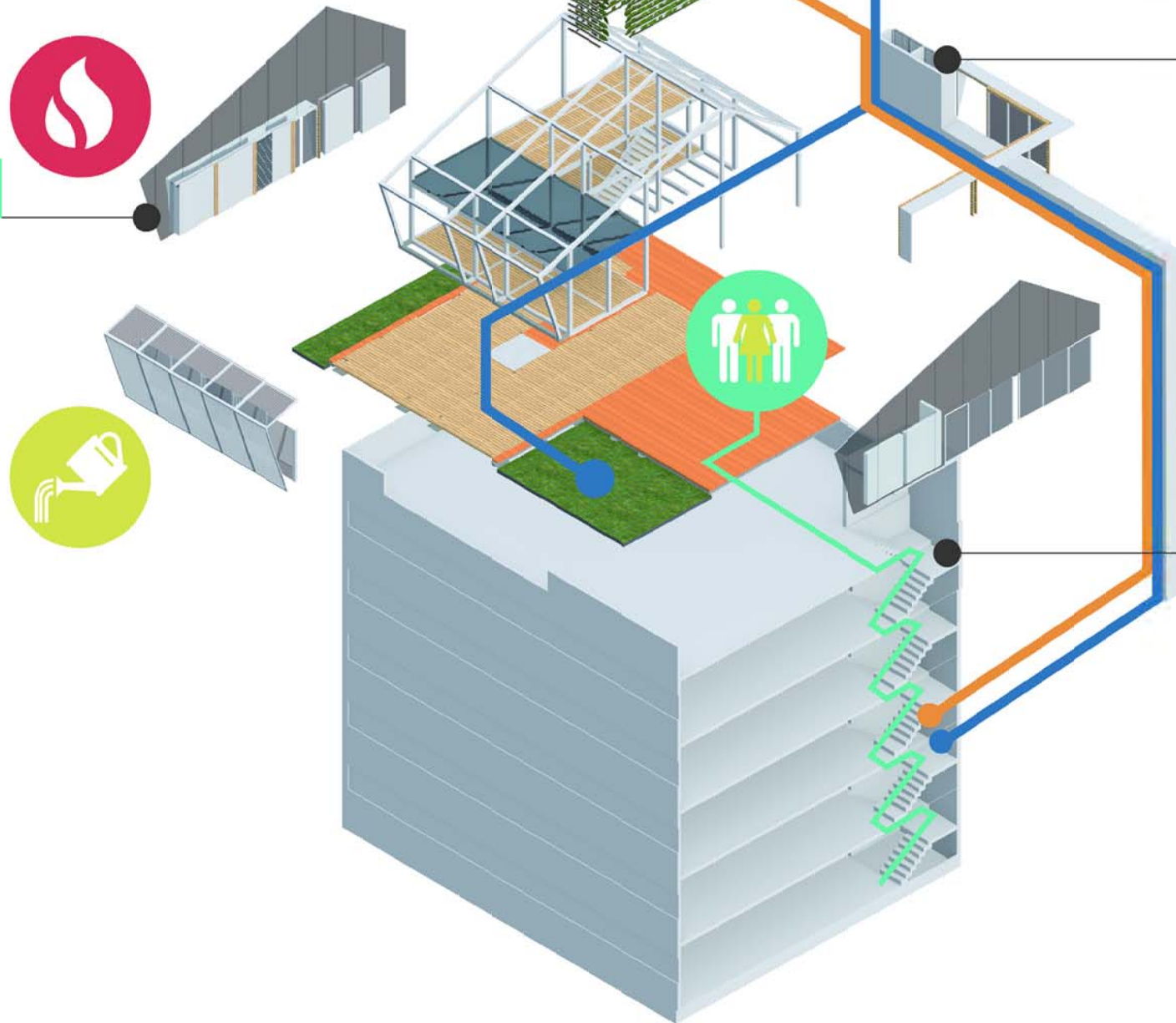
The liquid thermal mass wall on the west side of Orchid House, and it conserves energy and maintains comfortable temperature both day and night.



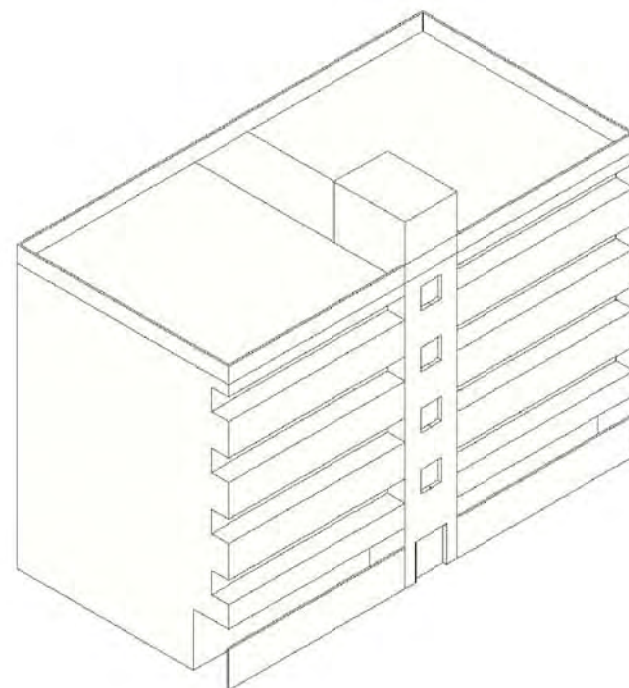
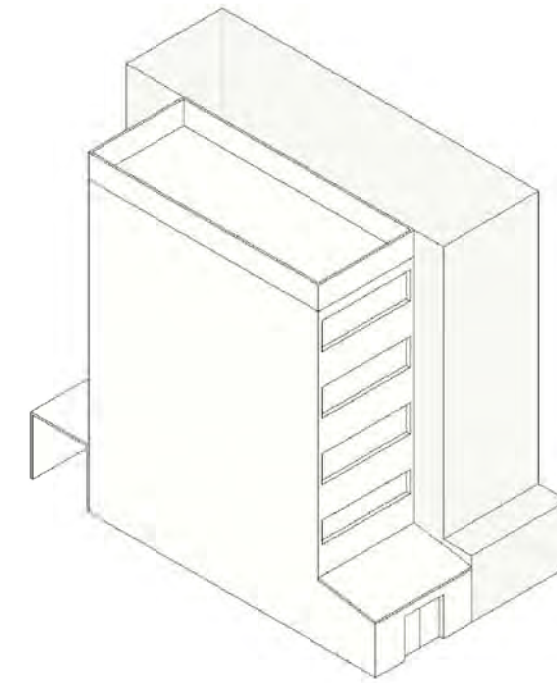
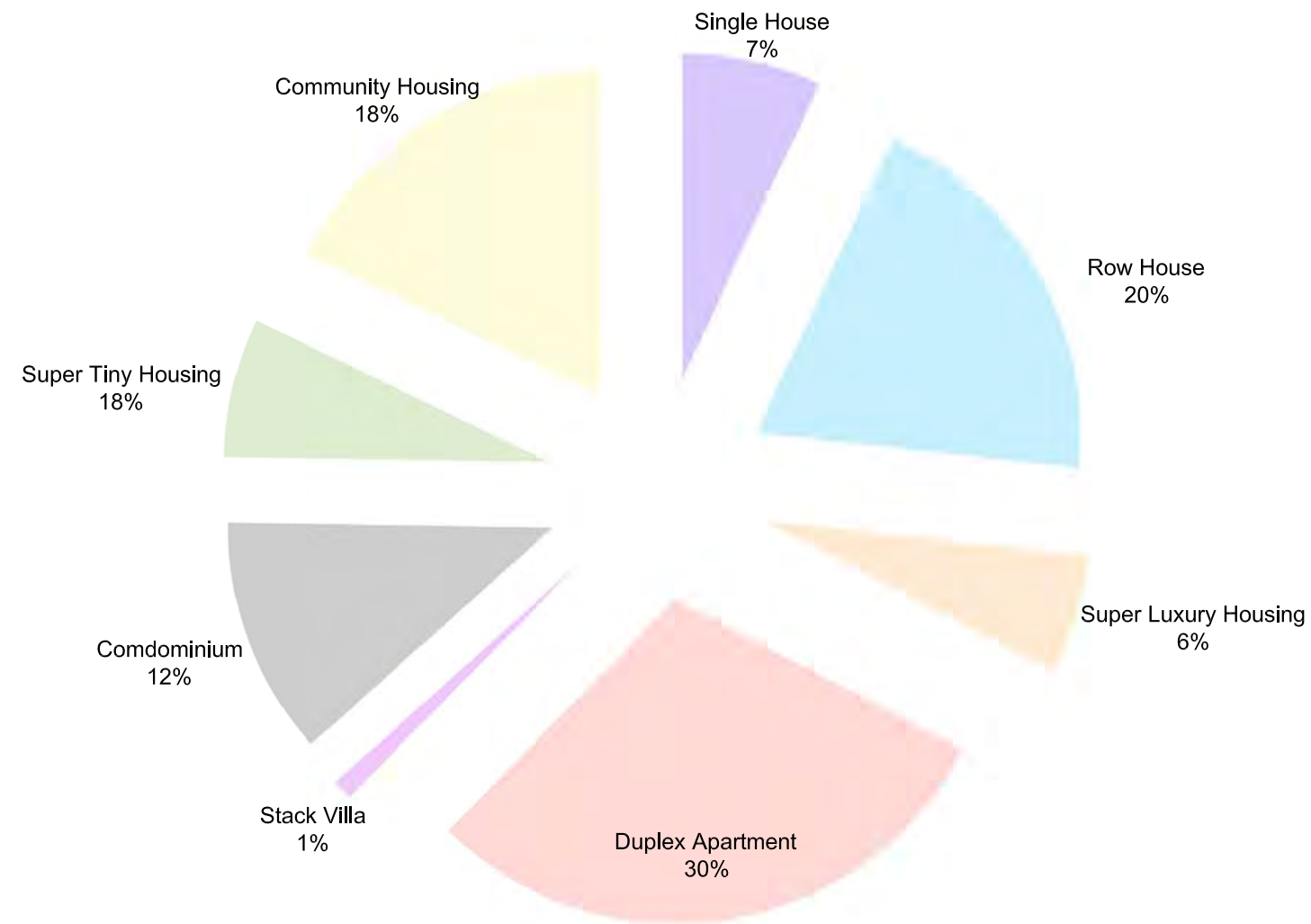
Circulation Integrate

CIRCULATION INTEGRATE

Orchid House is targeted to be developed and implemented in the future on rooftops over a great number of existing housing in Taiwan. To integrate the new system with old one is the key point.



Taipei Residential Type Analysis



DESCRIPTION

Row House and Duplex Apartment are the most number of Taipei residential building Type. These two types are usually 4 to 5 floor high and the oldest building in Taipei, which are about 20 to 30 years old and facing some following problems:

1. Top floor Leaking
2. Top floor is too hot
3. No Public Facility

Presently, most households live in flat-roofed row houses and duplex apartments, but due to a lack of space, people try to expand their living area by building on their roofs.

The illegal make-shift metal-roofed shelters that result are unregulated and displeasing to the eye. Lastly, social housing projects have fallen to the wayside and do not adequately consider the needs of disadvantaged groups, social justice, and the problems of housing for those with low-income.



Project:



Institution:



NCTU Architecture
國立交通大學建築研究所

Team Name: NCTU/UNICODE
Address: 1001 Ta-Hsueh Road
Hsinchu City 30010
Taiwan
Contact: www.sde.tw



Consultants:

Note:

Mark	Date	Description
DN	2013/04/01	SD Submission
DN	2013/07/01	DDc Submission
ST	2013/11/01	DD Submission

Drawn by: ST
Checked by: DN
Scale: -
Unit: -

DWG. Title
**EXISTING BUILDING
DRAWING AND ANALYSIS**

DWG. No.
GE-320



Project:



Institution:



NCTU Architecture
國立交通大學建築研究所

Team Name: NCTU/UNICODE
Address: 1001 Ta-Hsueh Road
Hsinchu City 30010
Taiwan
Contact: www.sde.tw



Consultants:

Note:

Mark	Date	Description
DN	2013/04/01	SD Submission
DN	2013/07/01	DDc Submission
ST	2013/11/01	DD Submission

Drawn by: CC
Checked by: DN
Scale: -
Unit: -

DWG. Title
COMPETITION DWELLING

DWG. No.
GE-330

Small-Scale Street Extended Signboard Steel Bar Window Rooftop Garden Extension Canopy



NCTU Architecture
國立交通大學建築研究所

Team Name: NCTU/UNICODE
Address: 1001 Ta-Hsueh Road
Hsinchu City 30010
Taiwan
Contact: www.sde.tw



Consultants:

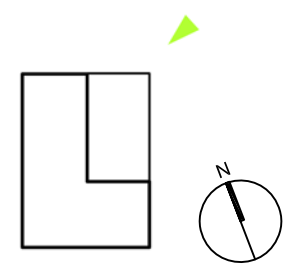
Note:

Mark	Date	Description
DN	2013/04/01	SD Submission
DN	2013/07/01	DDc Submission
ST	2013/11/01	DD Submission

Drawn by CC
Checked by DN
Scale -
Unit -

DWG. Title
PAVILION EASTSIDE
RENDERING

DWG. No.
GE-401





Project:



Institution:



NCTU Architecture
國立交通大學建築研究所

Team Name: NCTU/UNICODE
Address: 1001 Ta-Hsueh Road
Hsinchu City 30010
Taiwan
Contact: www.sde.tw



Consultants:

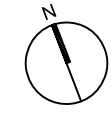
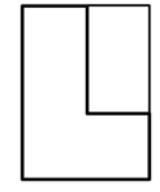
Note:

Mark	Date	Description
DN	2013/04/01	SD Submission
DN	2013/07/01	DDc Submission
ST	2013/11/01	DD Submission

Drawn by CC
Checked by DN
Scale -
Unit -

DWG. Title
**PAVILION WESTSIDE
RENDERING**

DWG. No.
GE-402





Project:



Institution:



NCTU Architecture
國立交通大學建築研究所

Team Name: NCTU/UNICODE

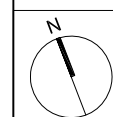
Address: 1001 Ta-Hsueh Road
Hsinchu City 30010
Taiwan

Contact: www.sde.tw



Consultants:

Note:



Mark	Date	Description
DN	2013/04/01	SD Submission
DN	2013/07/01	DDc Submission
ST	2013/11/01	DD Submission

Drawn by: ST

Checked by: DN

Scale: 1:1000

Unit: mm

DWG. Title

SOLAR VILLAGE PLAN

DWG. No.

AR-001



Project:



Institution:



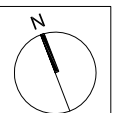
NCTU Architecture
國立交通大學建築研究所

Team Name: NCTU/UNICODE
Address: 1001 Ta-Hsueh Road
Hsinchu City 30010
Taiwan
Contact: www.sde.tw



Consultants:

Note:

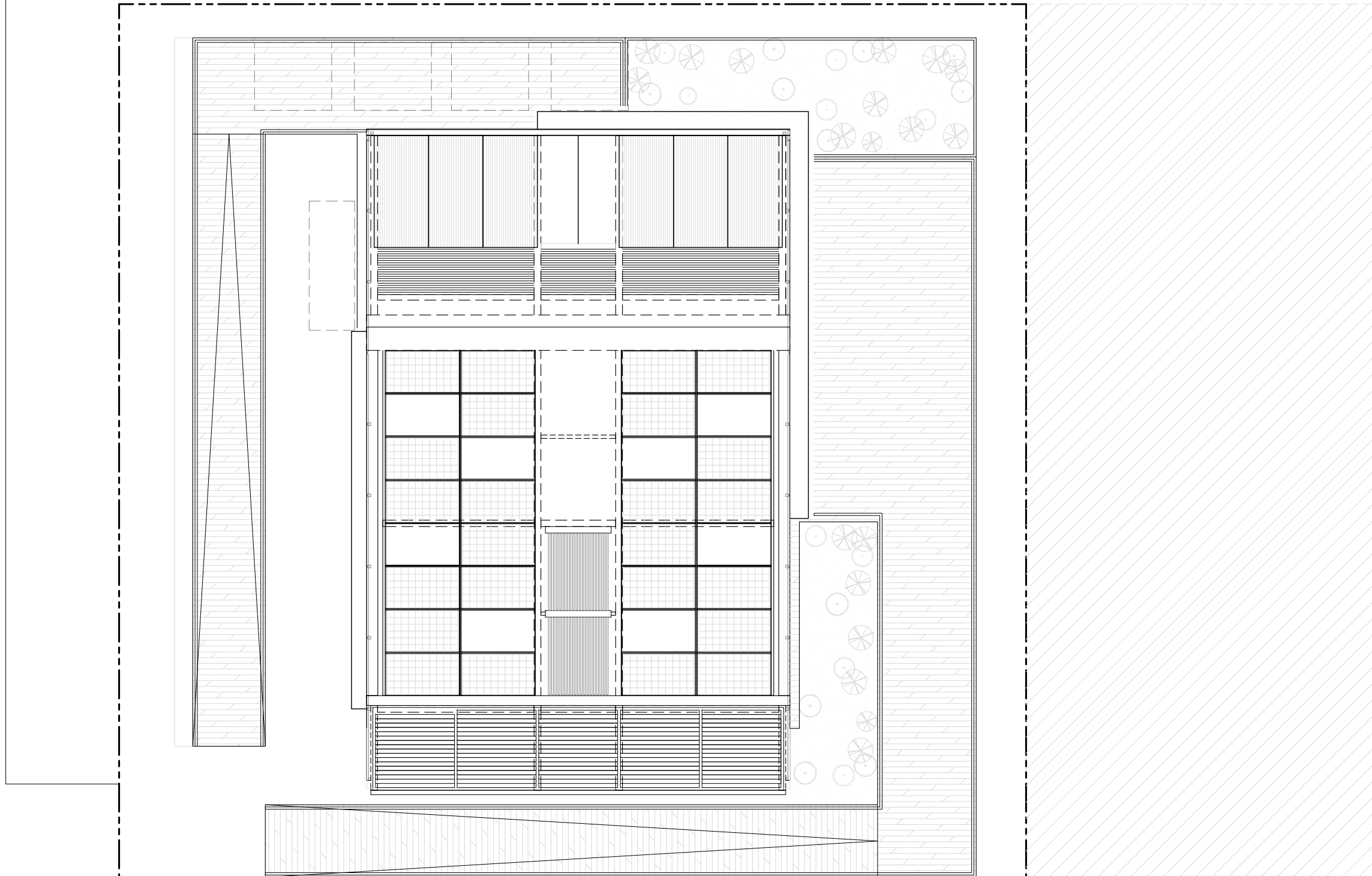


Mark	Date	Description
DN	2013/04/01	SD Submission
DN	2013/07/01	DDc Submission
ST	2013/11/01	DD Submission

Drawn by: CF
Checked by: DN
Scale: 1:100
Unit: mm

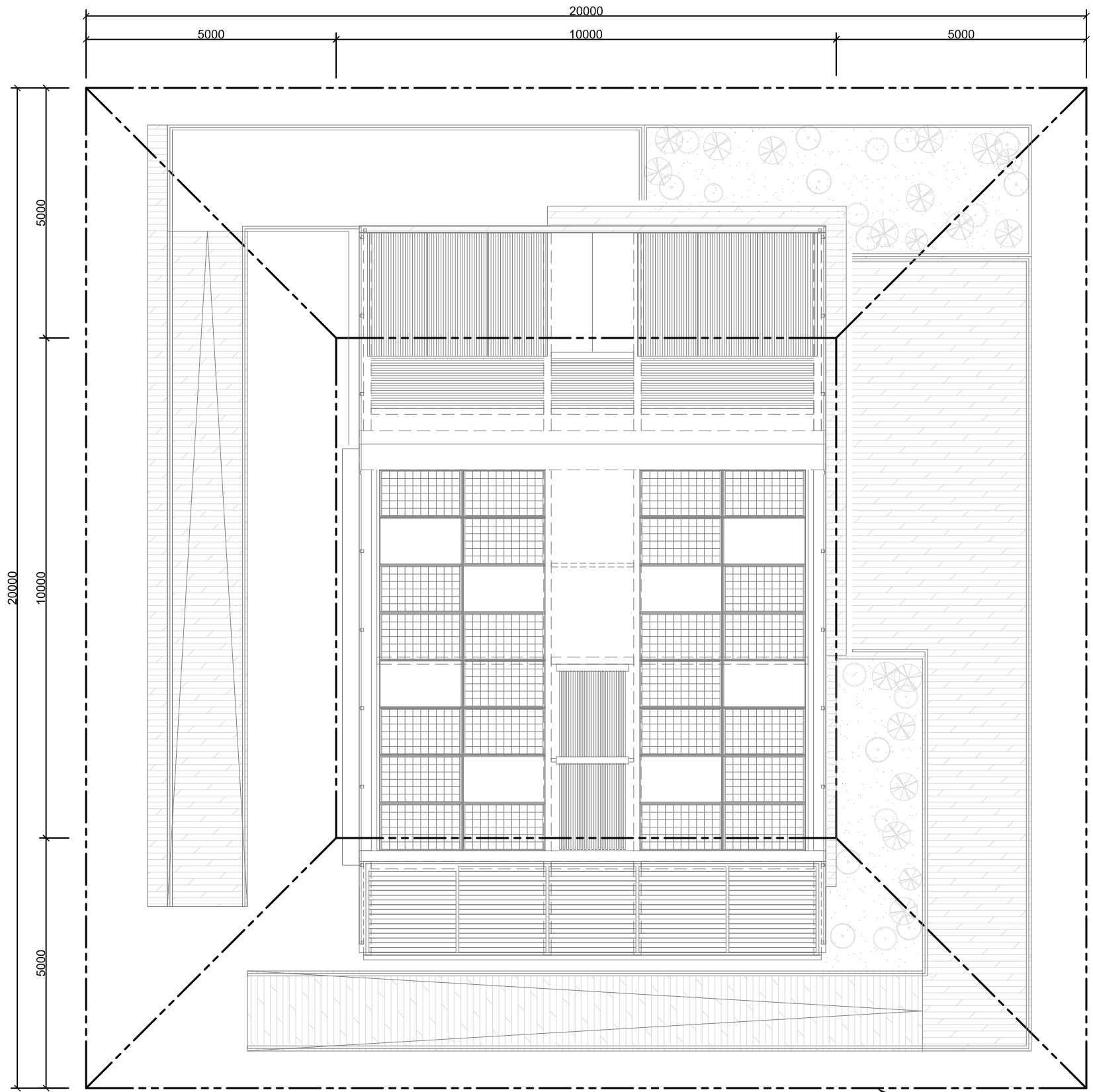
DWG. Title
SITE PLAN

DWG. No.
AR-002



LOT "S"
LOT "P" LOT "Q"

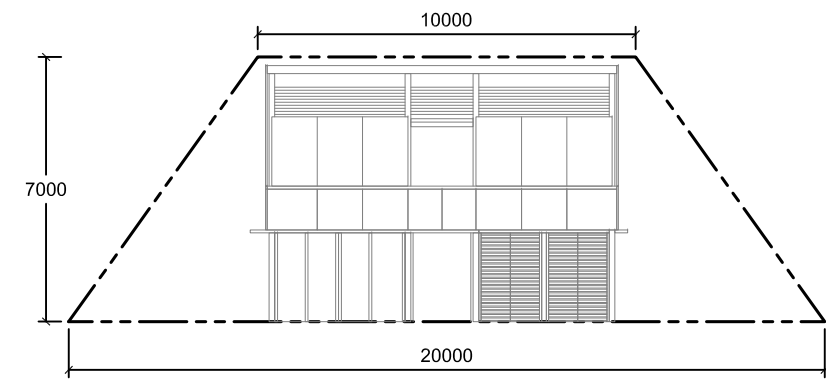




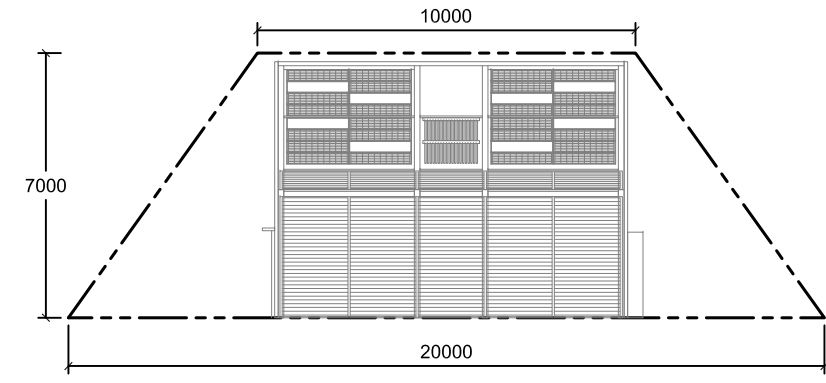
Solar Envelope



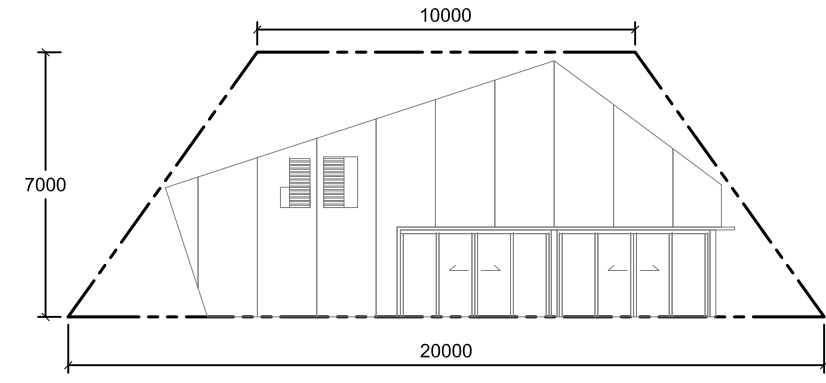
PLAN



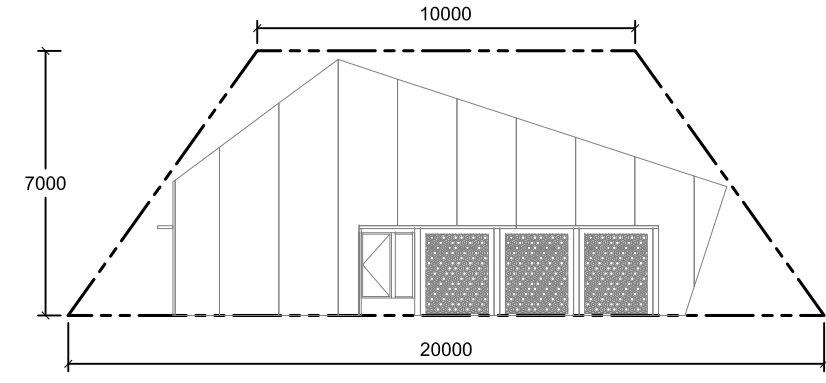
NORTH



SOUTH



EAST



WEST



Project:



Institution:



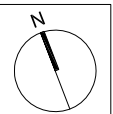
NCTU Architecture
國立交通大學建築研究所

Team Name: NCTU/UNICODE
Address: 1001 Ta-Hsueh Road
Hsinchu City 30010
Taiwan
Contact: www.sde.tw



Consultants:

Note:



Mark	Date	Description
DN	2013/04/01	SD Submission
DN	2013/07/01	DDc Submission
ST	2013/11/01	DD Submission

Drawn by	CF
Checked by	DN
Scale	1:100
Unit	mm

DWG. Title
SOLAR ENVELOPE

DWG. No.
AR-011

Project:



Institution:



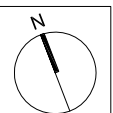
NCTU Architecture
國立交通大學建築研究所

Team Name: NCTU/UNICODE
Address: 1001 Ta-Hsueh Road
Hsinchu City 30010
Taiwan
Contact: www.sde.tw



Consultants:

Note:

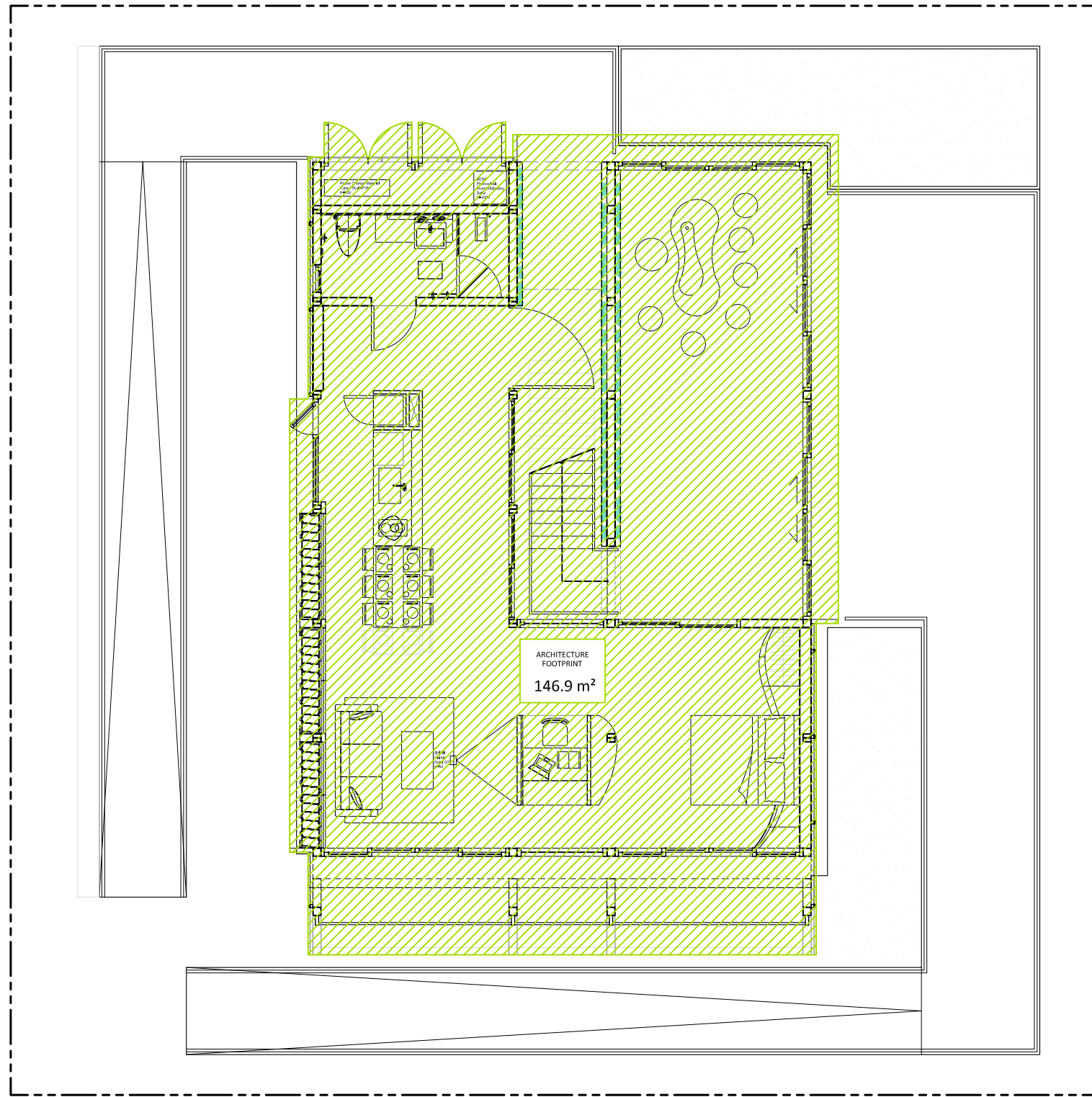


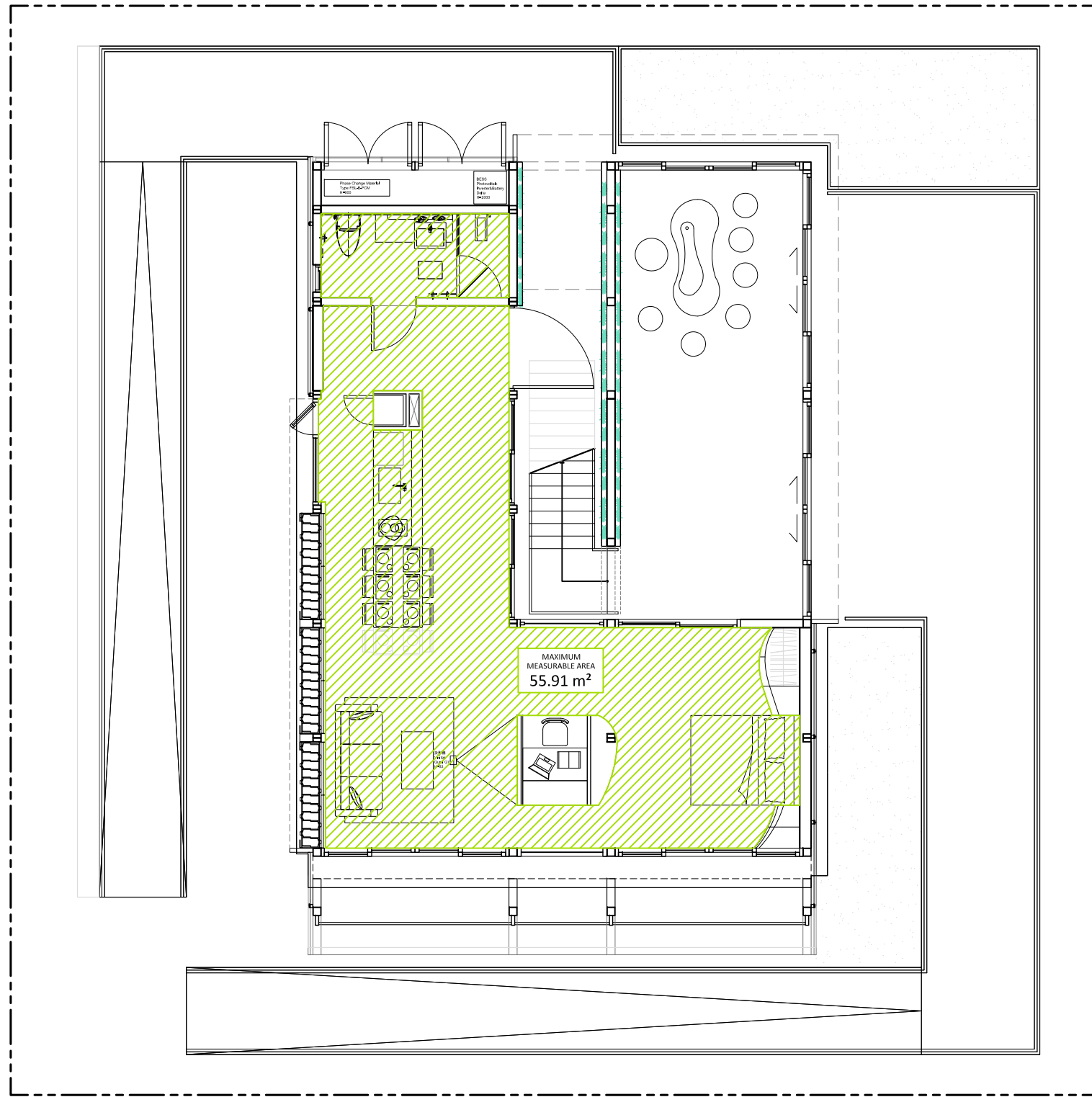
Mark	Date	Description
DN	2013/04/01	SD Submission
DN	2013/07/01	DDc Submission
ST	2013/11/01	DD Submission

Drawn by: CF
Checked by: DN
Scale: 1:100
Unit: mm

DWG. Title
ARCHITECTURE FOOTPRINT

DWG. No.
AR-014





Project:



Institution:



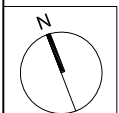
NCTU Architecture
國立交通大學建築研究所

Team Name: NCTU/UNICODE
Address: 1001 Ta-Hsueh Road
Hsinchu City 30010
Taiwan
Contact: www.sde.tw



Consultants:

Note:



Mark	Date	Description
DN	2013/04/01	SD Submission
DN	2013/07/01	DDc Submission
ST	2013/11/01	DD Submission

Drawn by: CF
Checked by: DN
Scale: 1:100
Unit: mm

DWG. Title
MEASURABLE AREA

DWG. No.
AR-017

Project:



Institution:



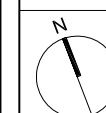
NCTU Architecture
國立交通大學建築研究所

Team Name: NCTU/UNICODE
Address: 1001 Ta-Hsueh Road
Hsinchu City 30010
Taiwan
Contact: www.sde.tw



Consultants:

Note:

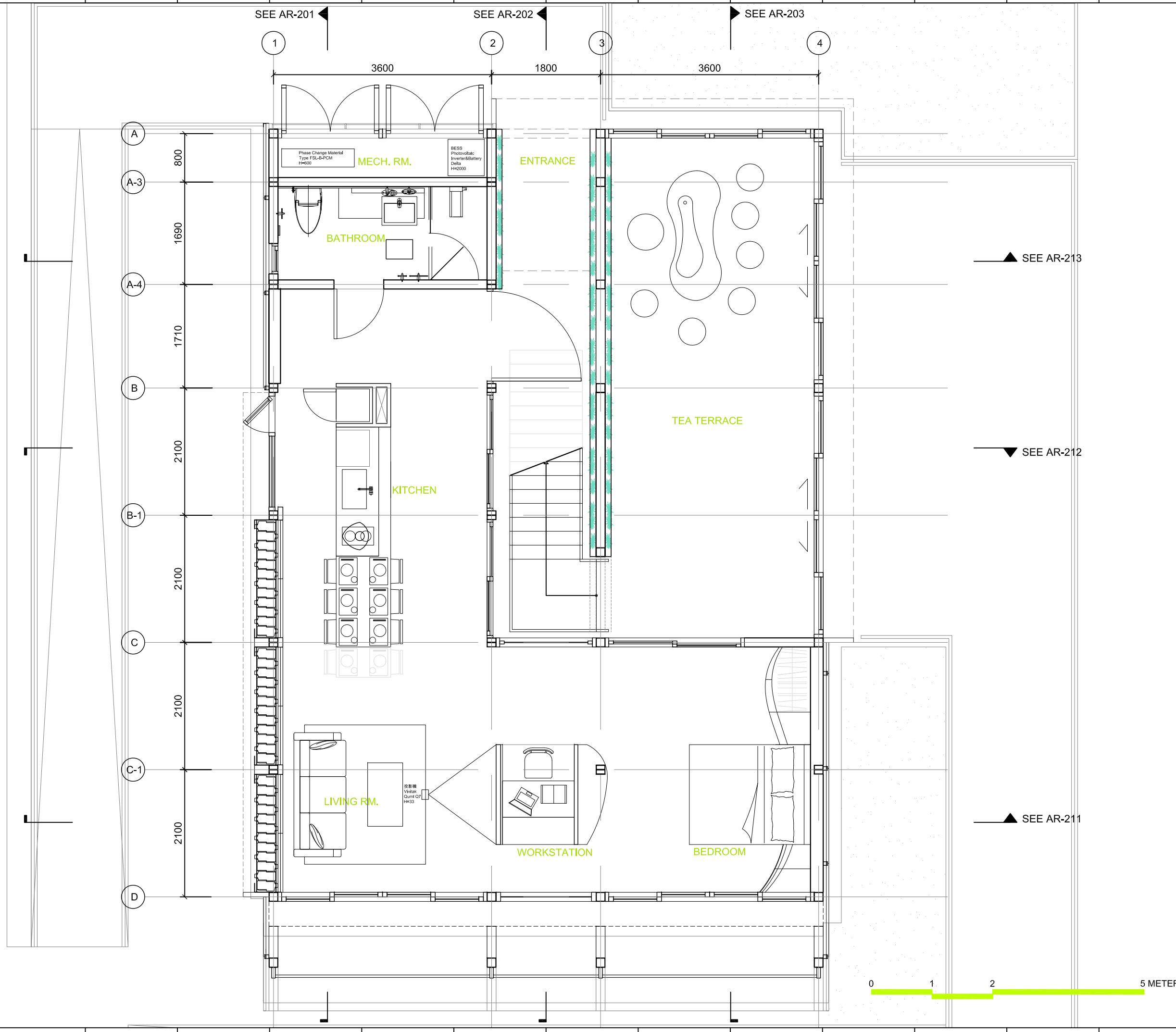


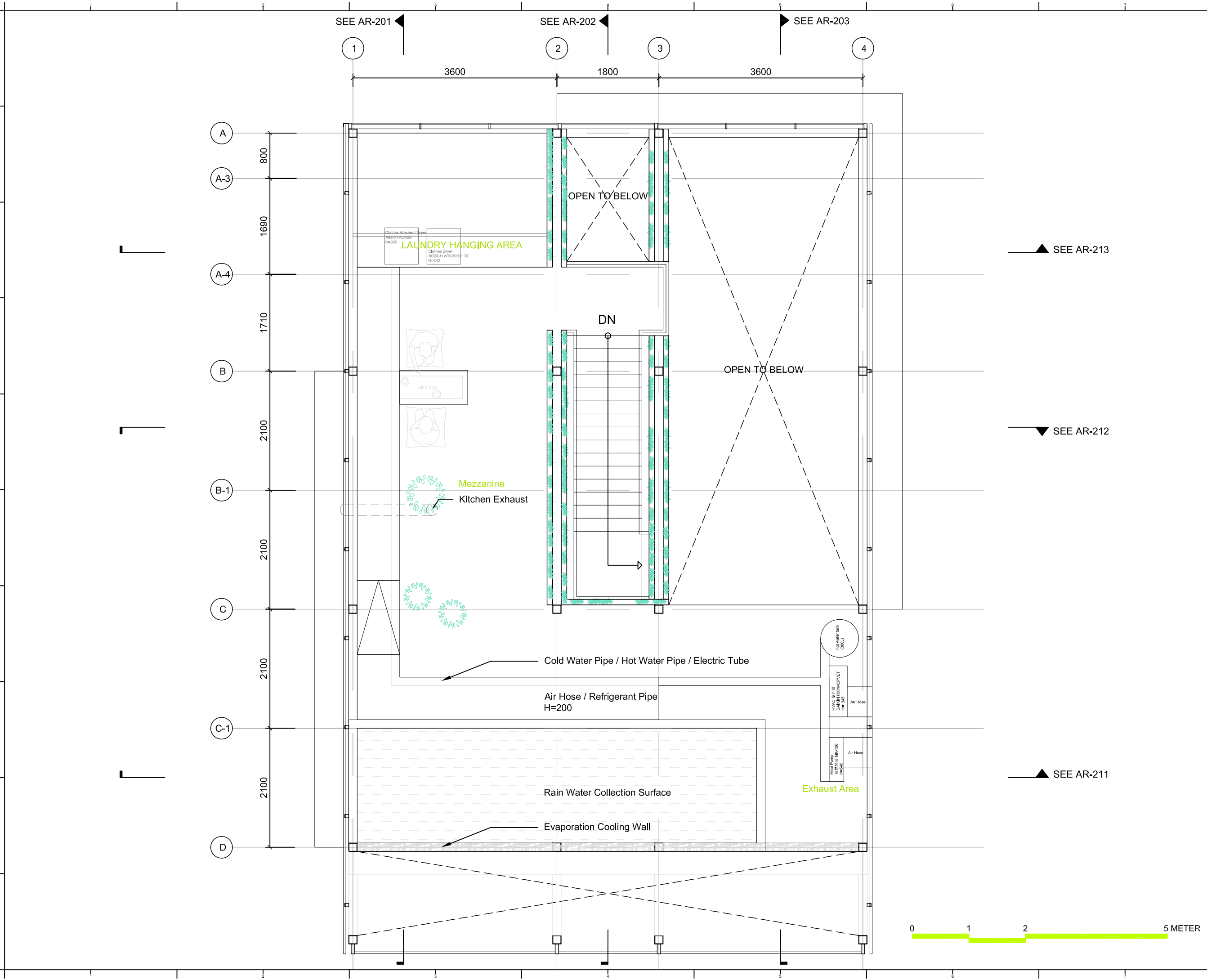
Mark	Date	Description
DN	2013/04/01	SD Submission
DN	2013/07/01	DDc Submission
ST	2013/11/01	DD Submission

Drawn by: CF
Checked by: DN
Scale: 1:60
Unit: mm

DWG. Title
GROUND LEVEL PLAN

DWG. No.
AR-021





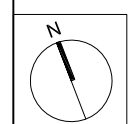
NCTU Architecture
國立交通大學建築研究所

Team Name: NCTU/UNICODE
Address: 1001 Ta-Hsueh Road
Hsinchu City 30010
Taiwan
Contact: www.sde.tw



Consultants:

Note:

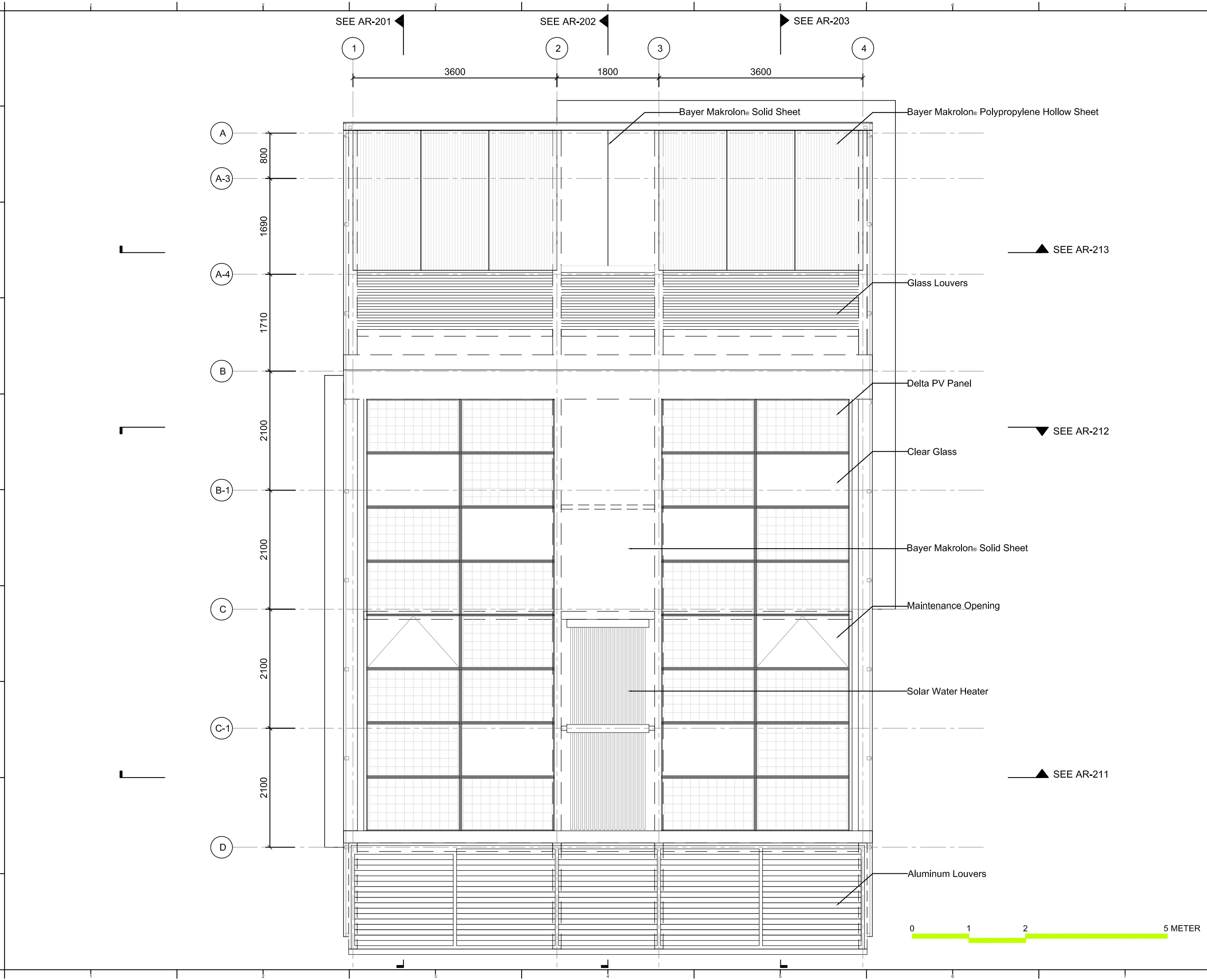


Mark	Date	Description
DN	2013/04/01	SD Submission
DN	2013/07/01	DDc Submission
ST	2013/11/01	DD Submission

Drawn by: CF
Checked by: DN
Scale: 1:60
Unit: mm

DWG. Title
MEZZANINE LEVEL PLAN

DWG. No.
AR-022



Project:



Institution:



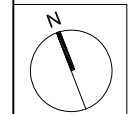
NCTU Architecture
國立交通大學建築研究所

Team Name: NCTU/UNICODE
Address: 1001 Ta-Hsueh Road
Hsinchu City 30010
Taiwan
Contact: www.sde.tw



Consultants:

Note:

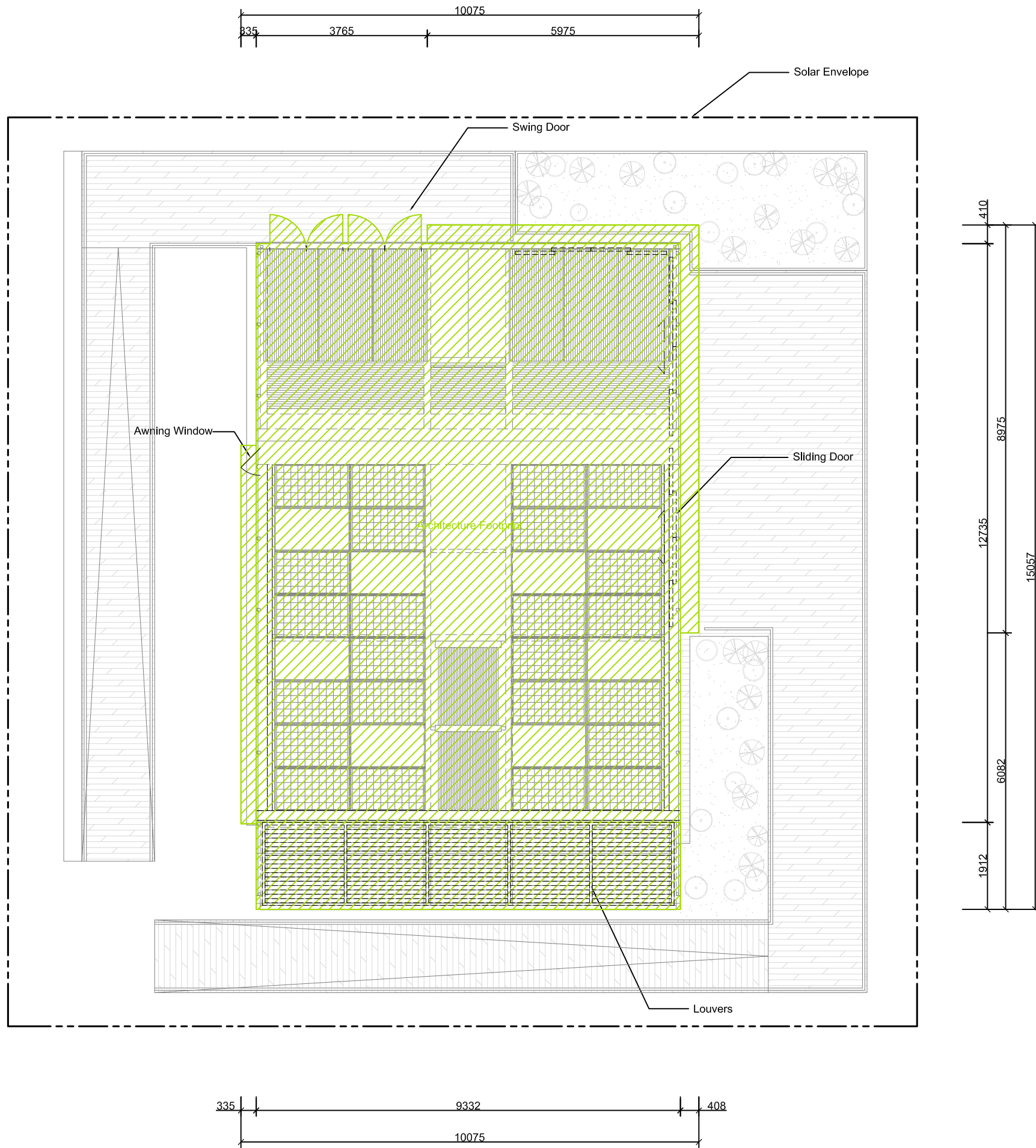


Mark	Date	Description
DN	2013/04/01	SD Submission
DN	2013/07/01	DDc Submission
ST	2013/11/01	DD Submission

Drawn by: CF
Checked by: DN
Scale: 1:60
Unit: mm

DWG. Title: **ROOF LEVEL PLAN**

DWG. No.: **AR-031**



Footprint Calculation

House : 120.4 M2
 Canopy : 8.7 M2
 Louvers : 17.8 M2
 Total : 146.9 M2

House
 $9.332 \times 12.735 + 0.6375 \times 0.7854 \times 3.14 = 120.4$ (M2)

Canopy
 $5.975 \times 0.41 + (8.975 - 0.41) \times 0.408 + 8.325 \times 0.335 = 8.7$ (M2)

Louvers
 $9.332 \times 1.912 = 17.8$ (M2)

Total
 $120.41 + 8.73 + 17.84 = 146.9$ (M2)



Project:



Institution:



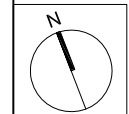
NCTU Architecture
 國立交通大學建築研究所

Team Name: NCTU/UNICODE
 Address: 1001 Ta-Hsueh Road
 Hsinchu City 30010
 Taiwan
 Contact: www.sde.tw



Consultants:

Note:



Mark	Date	Description
DN	2013/04/01	SD Submission
DN	2013/07/01	DDc Submission
ST	2013/11/01	DD Submission

Drawn by	CF
Checked by	DN
Scale	1:100
Unit	mm

DWG. Title
**RECONFIGURABLE
 FEATURES 1**

DWG. No.
AR-041

Project:



Institution:



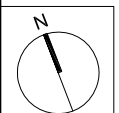
NCTU Architecture
國立交通大學建築研究所

Team Name: NCTU/UNICODE
Address: 1001 Ta-Hsueh Road
Hsinchu City 30010
Taiwan
Contact: www.sde.tw



Consultants:

Note:

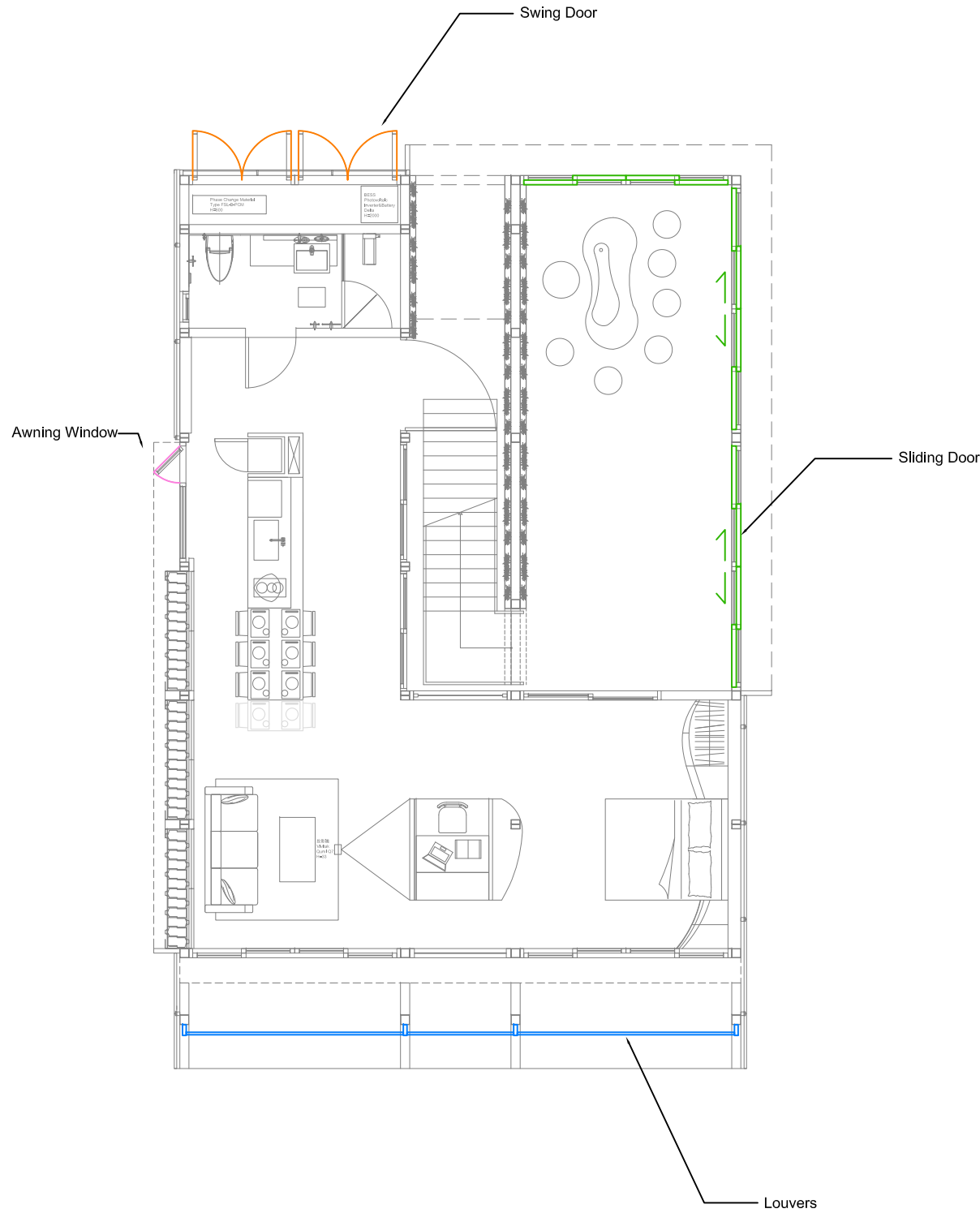


Mark	Date	Description
DN	2013/04/01	SD Submission
DN	2013/07/01	DDc Submission
ST	2013/11/01	DD Submission

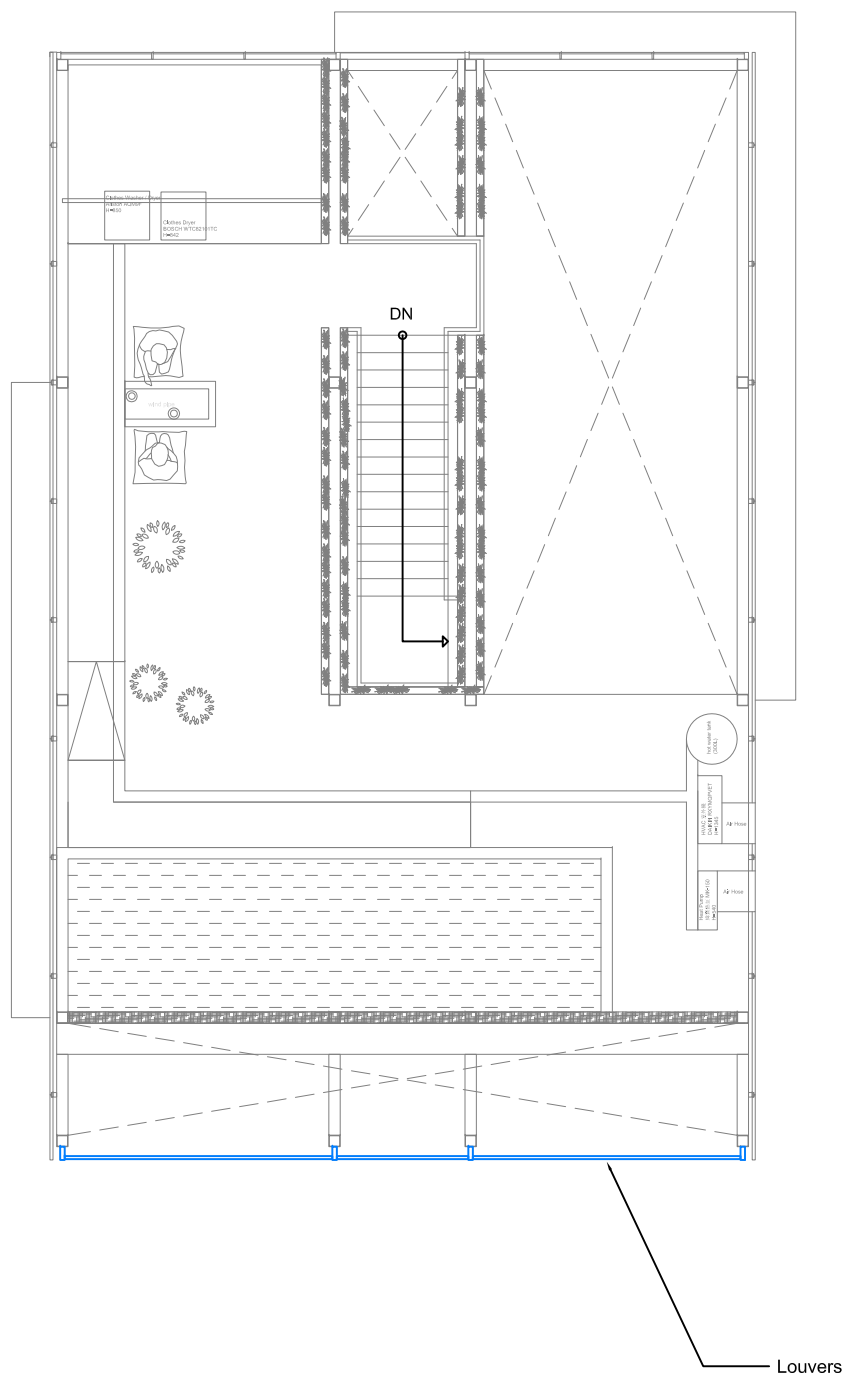
Drawn by	CF
Checked by	DN
Scale	1:100
Unit	mm

DWG. Title
**RECONFIGURABLE
FEATURES 2**

DWG. No.
AR-042



Ground Level



Mezzanine Level



Project:



Institution:



NCTU Architecture
國立交通大學建築研究所

Team Name: NCTU/UNICODE
Address: 1001 Ta-Hsueh Road
Hsinchu City 30010
Taiwan
Contact: www.sde.tw



Consultants:

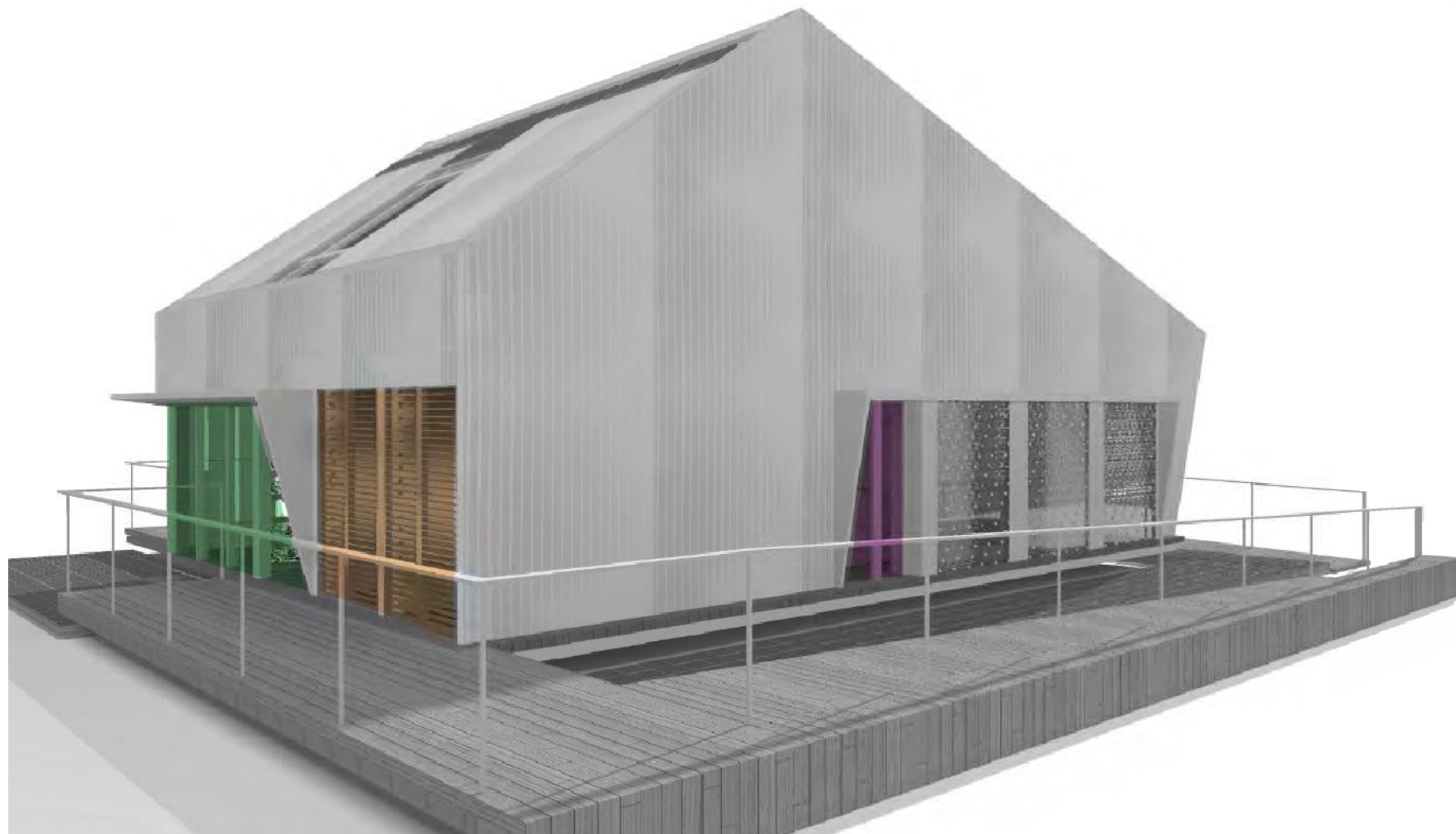
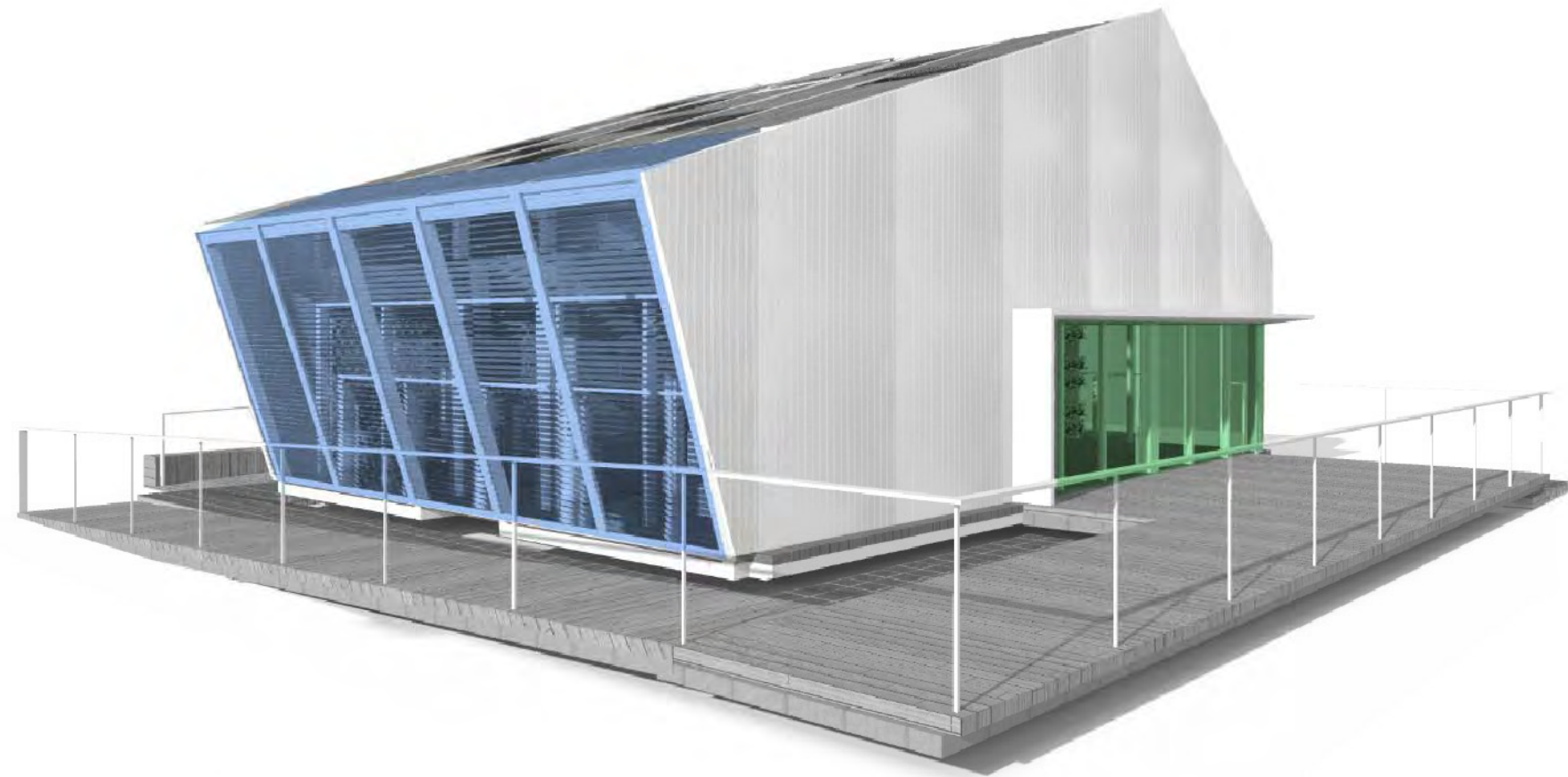
Note:

Mark	Date	Description
DN	2013/04/01	SD Submission
DN	2013/07/01	DDc Submission
ST	2013/11/01	DD Submission

Drawn by	CF
Checked by	DN
Scale	N/A
Unit	N/A

DWG. Title
**RECONFIGURABLE
FEATURES 3**

DWG. No.
AR-043



- Louvers ■
- Sliding Door ■
- Swing Door ■
- Awning Window ■

Project:



Institution:



NCTU Architecture
國立交通大學建築研究所

Team Name: NCTU/UNICODE
Address: 1001 Ta-Hsueh Road
Hsinchu City 30010
Taiwan
Contact: www.sde.tw



Consultants:

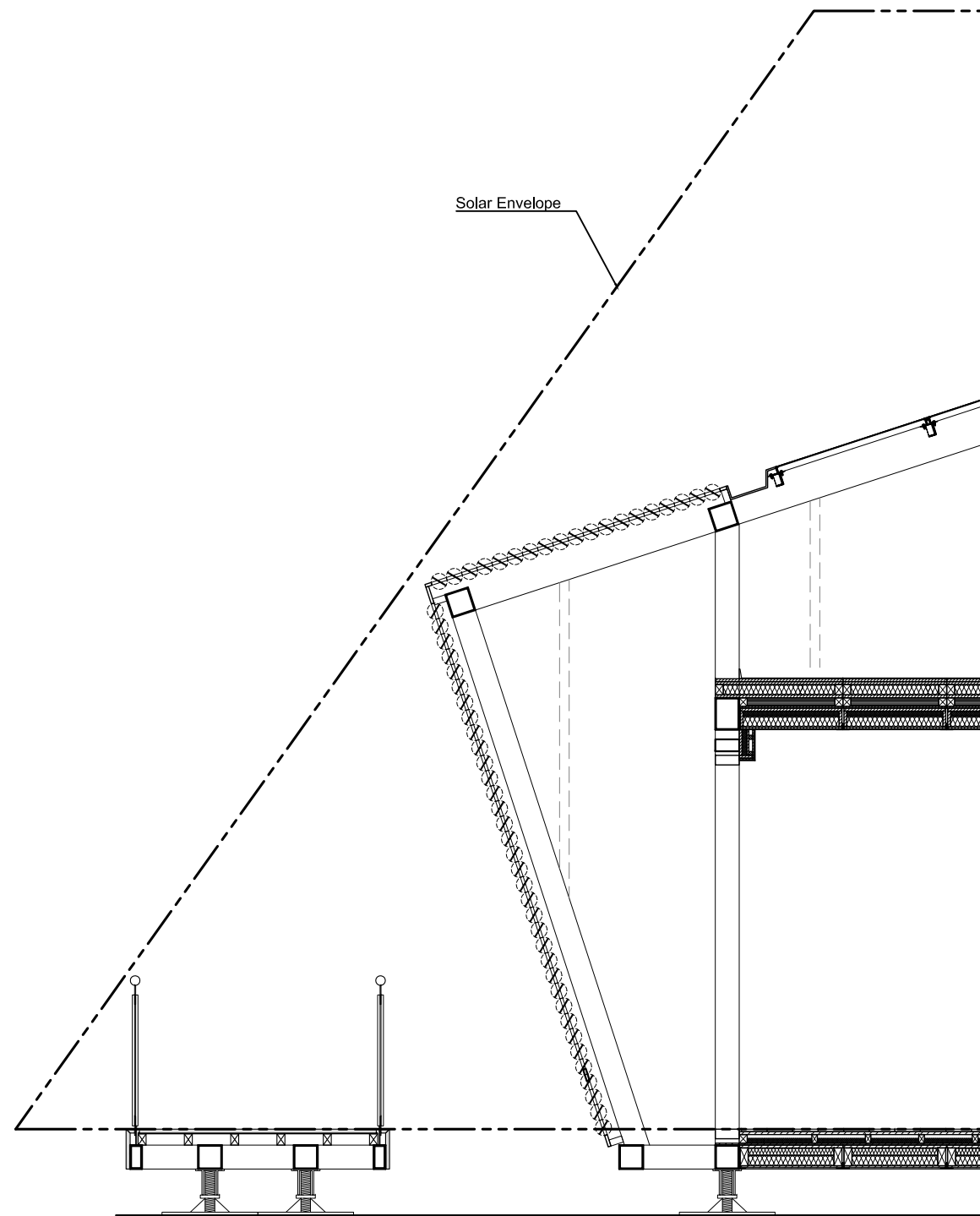
Note:

Mark	Date	Description
DN	2013/04/01	SD Submission
DN	2013/07/01	DDc Submission
ST	2013/11/01	DD Submission

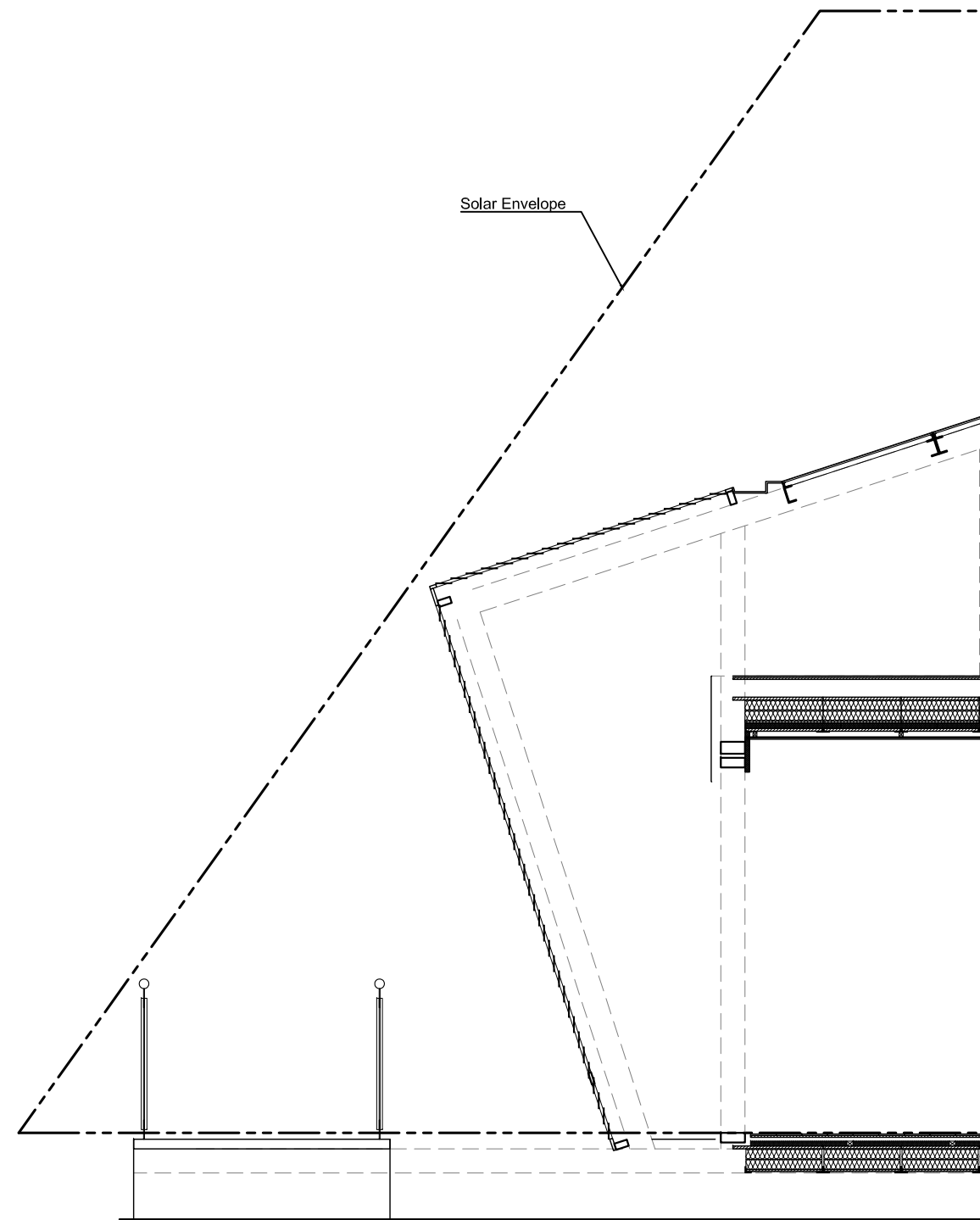
Drawn by: CF
Checked by: DN
Scale: 1:40
Unit: mm

DWG. Title
**RECONFIGURABLE
FEATURES 4**

DWG. No.
AR-044



Louvers Open



Louvers Closed



Project:



Institution:



NCTU Architecture
國立交通大學建築研究所

Team Name:

NCTU/UNICODE

Address:

1001 Ta-Hsueh Road
Hsinchu City 30010
Taiwan

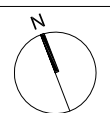
Contact:

www.sde.tw



Consultants:

Note:



Mark	Date	Description
DN	2013/04/01	SD Submission
DN	2013/07/01	DDc Submission
ST	2013/11/01	DD Submission

Drawn by

CF

Checked by

DN

Scale

1:100

Unit

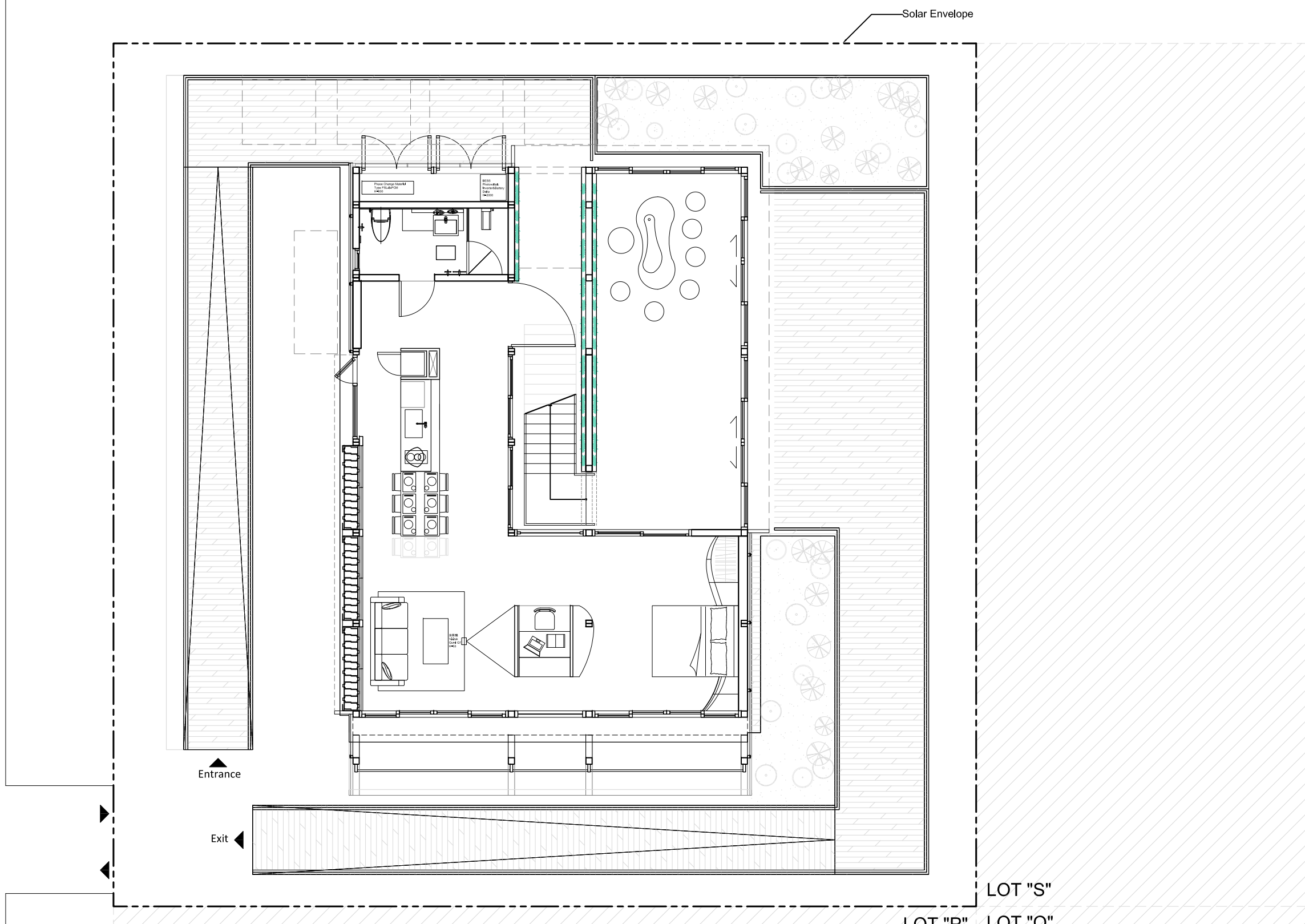
mm

DWG. Title

SITE ENTRANCE AND EXIT

DWG. No.

AR-051



Project:



Institution:



NCTU Architecture
國立交通大學建築研究所

Team Name: NCTU/UNICODE
Address: 1001 Ta-Hsueh Road
Hsinchu City 30010
Taiwan
Contact: www.sde.tw



Consultants:

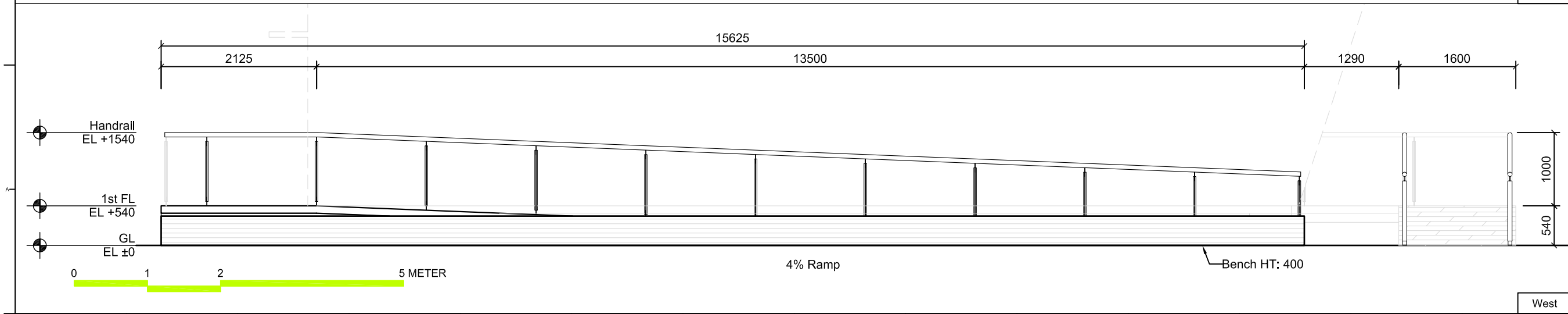
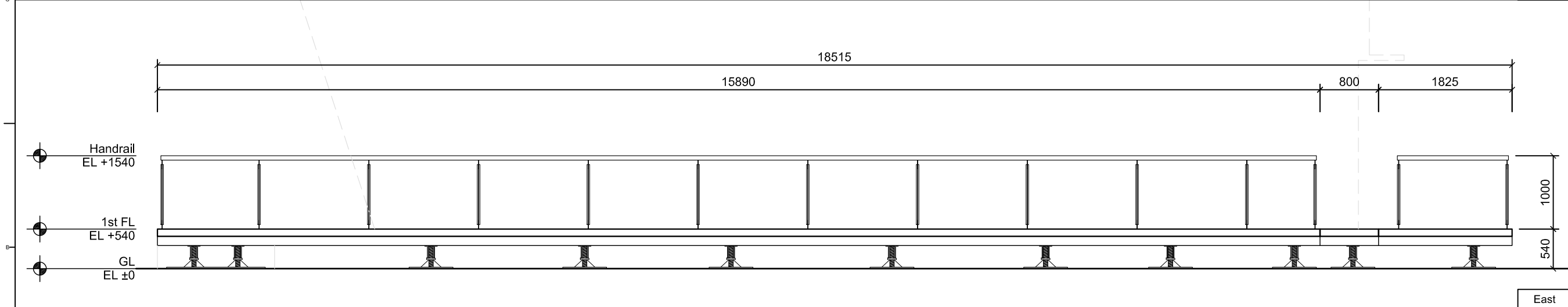
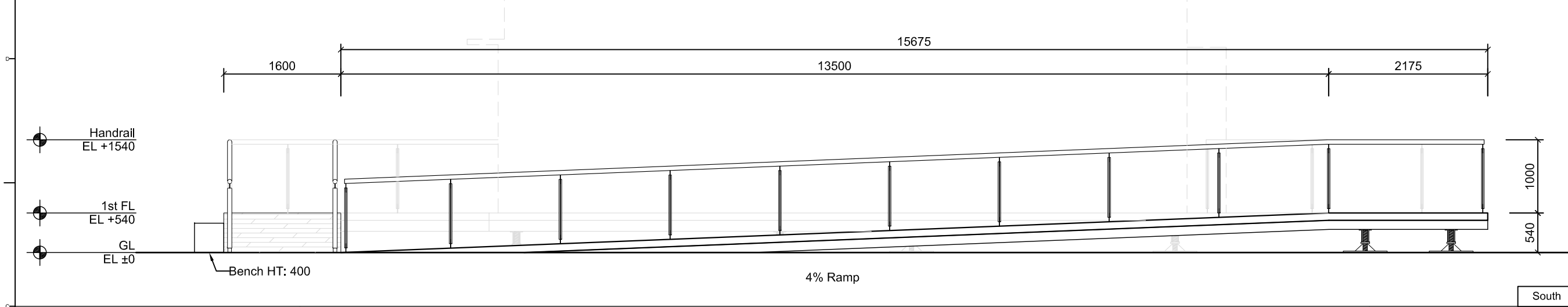
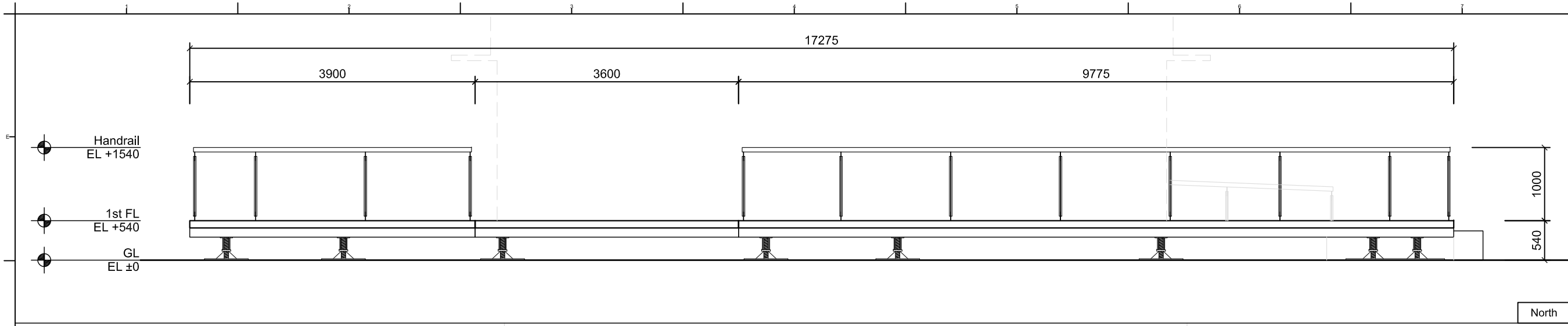
Note:

Mark	Date	Description
DN	2013/04/01	SD Submission
DN	2013/07/01	DDc Submission
ST	2013/11/01	DD Submission

Drawn by	CF
Checked by	DN
Scale	1:60
Unit	mm

DWG. Title
SITE ELEVATION

DWG. No.
AR-101



Project:



Institution:



NCTU Architecture
國立交通大學建築研究所

Team Name: NCTU/UNICODE
Address: 1001 Ta-Hsueh Road
Hsinchu City 30010
Taiwan
Contact: www.sde.tw



Consultants:

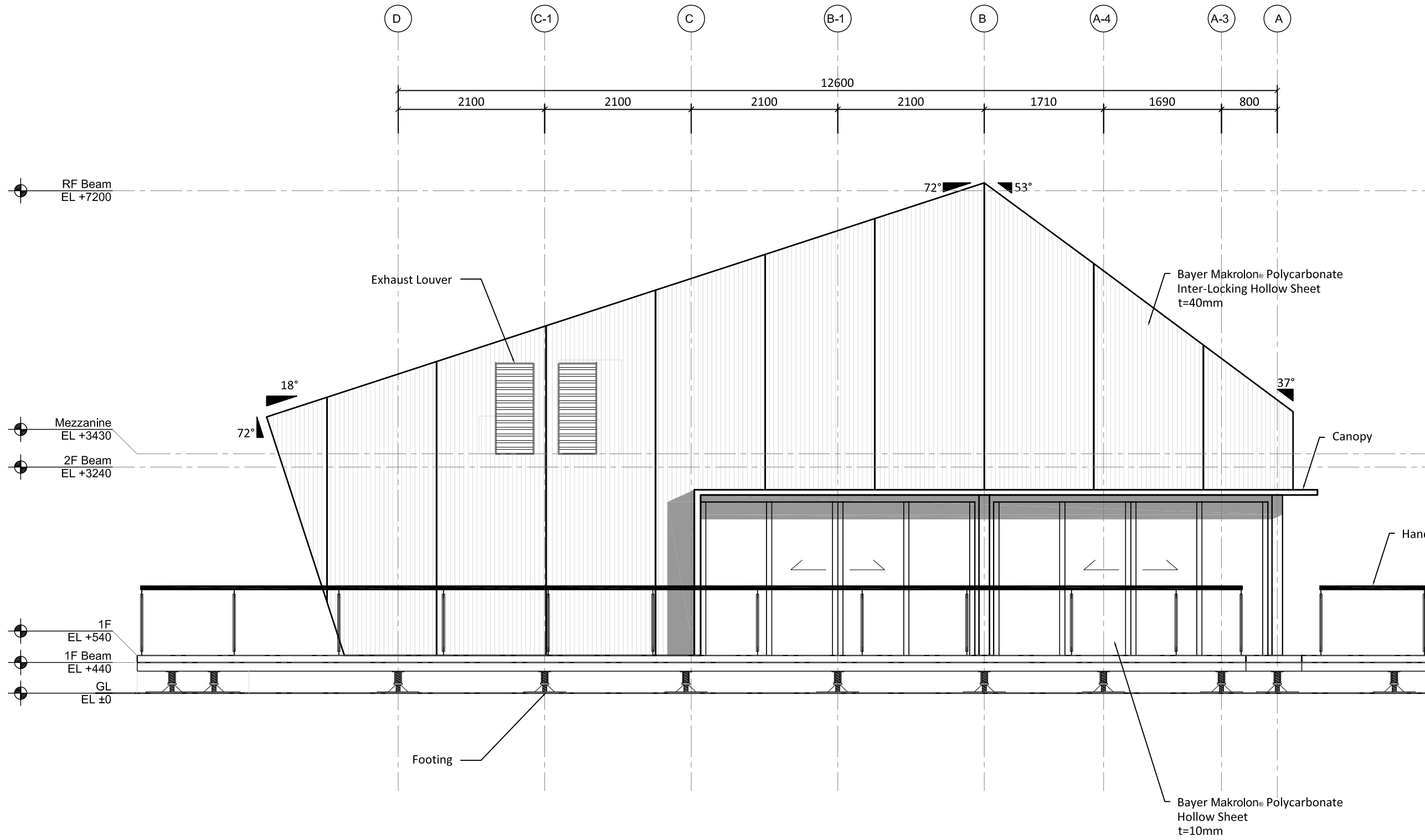
Note:

Mark	Date	Description
DN	2013/04/01	SD Submission
DN	2013/07/01	DDc Submission
ST	2013/11/01	DD Submission

Drawn by	CF
Checked by	DN
Scale	1:60
Unit	mm

DWG. Title
EAST ELEVATION

DWG. No.
AR-111



Project:



Institution:



NCTU Architecture
國立交通大學建築研究所

Team Name: NCTU/UNICODE
Address: 1001 Ta-Hsueh Road
Hsinchu City 30010
Taiwan
Contact: www.sde.tw



Consultants:

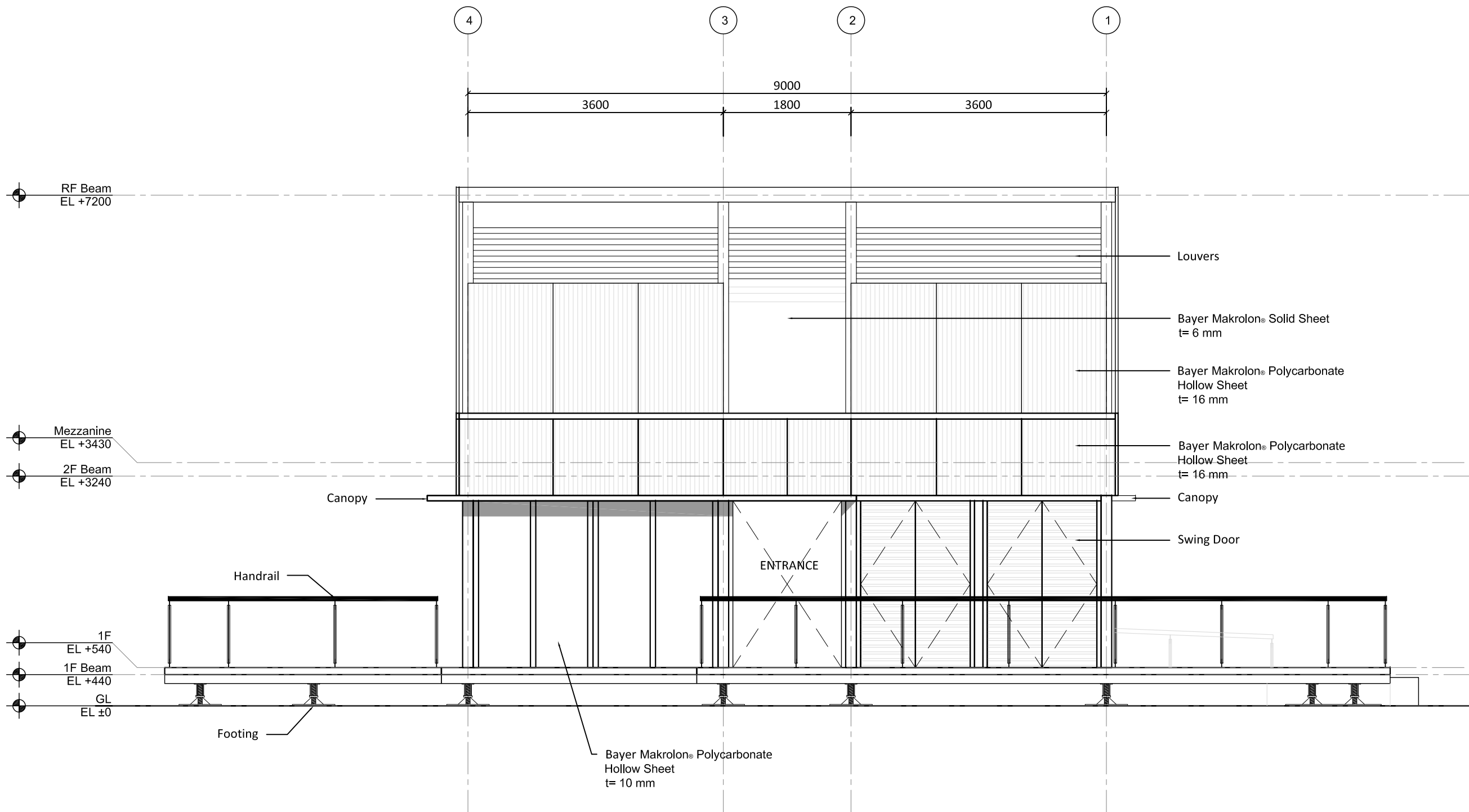
Note:

Mark	Date	Description
DN	2013/04/01	SD Submission
DN	2013/07/01	DDc Submission
ST	2013/11/01	DD Submission

Drawn by	CF
Checked by	DN
Scale	1:60
Unit	mm

DWG. Title
NORTH ELEVATION

DWG. No.
AR-112



Project:



Institution:



NCTU Architecture
國立交通大學建築研究所

Team Name: NCTU/UNICODE
Address: 1001 Ta-Hsueh Road
Hsinchu City 30010
Taiwan
Contact: www.sde.tw



Consultants:

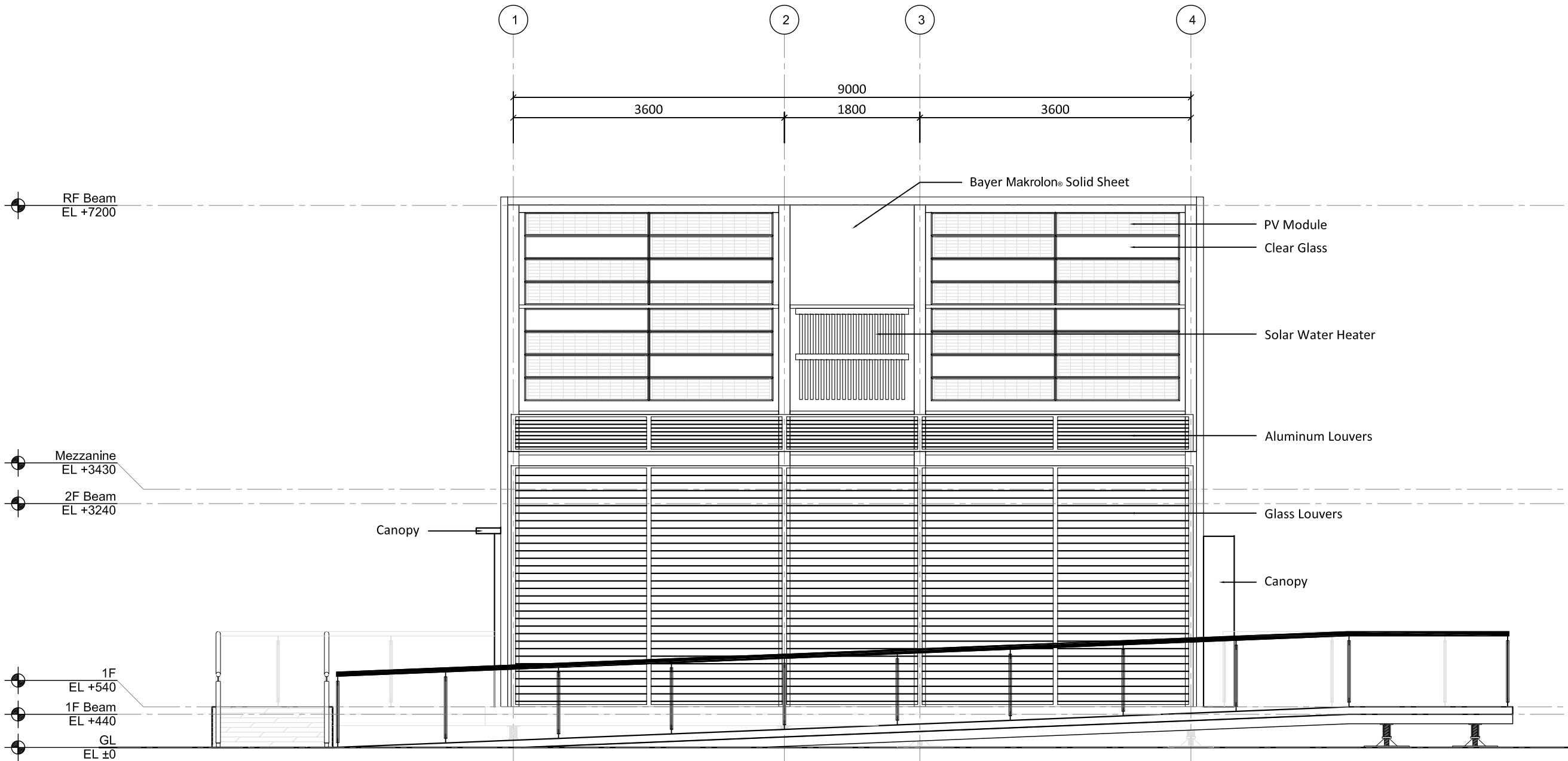
Note:

Mark	Date	Description
DN	2013/04/01	SD Submission
DN	2013/07/01	DDc Submission
ST	2013/11/01	DD Submission

Drawn by	CF
Checked by	DN
Scale	1:60
Unit	mm

DWG. Title
SOUTH ELEVATION

DWG. No.
AR-113



Project:



Institution:



NCTU Architecture
國立交通大學建築研究所

Team Name: NCTU/UNICODE
Address: 1001 Ta-Hsueh Road
Hsinchu City 30010
Taiwan
Contact: www.sde.tw



Consultants:

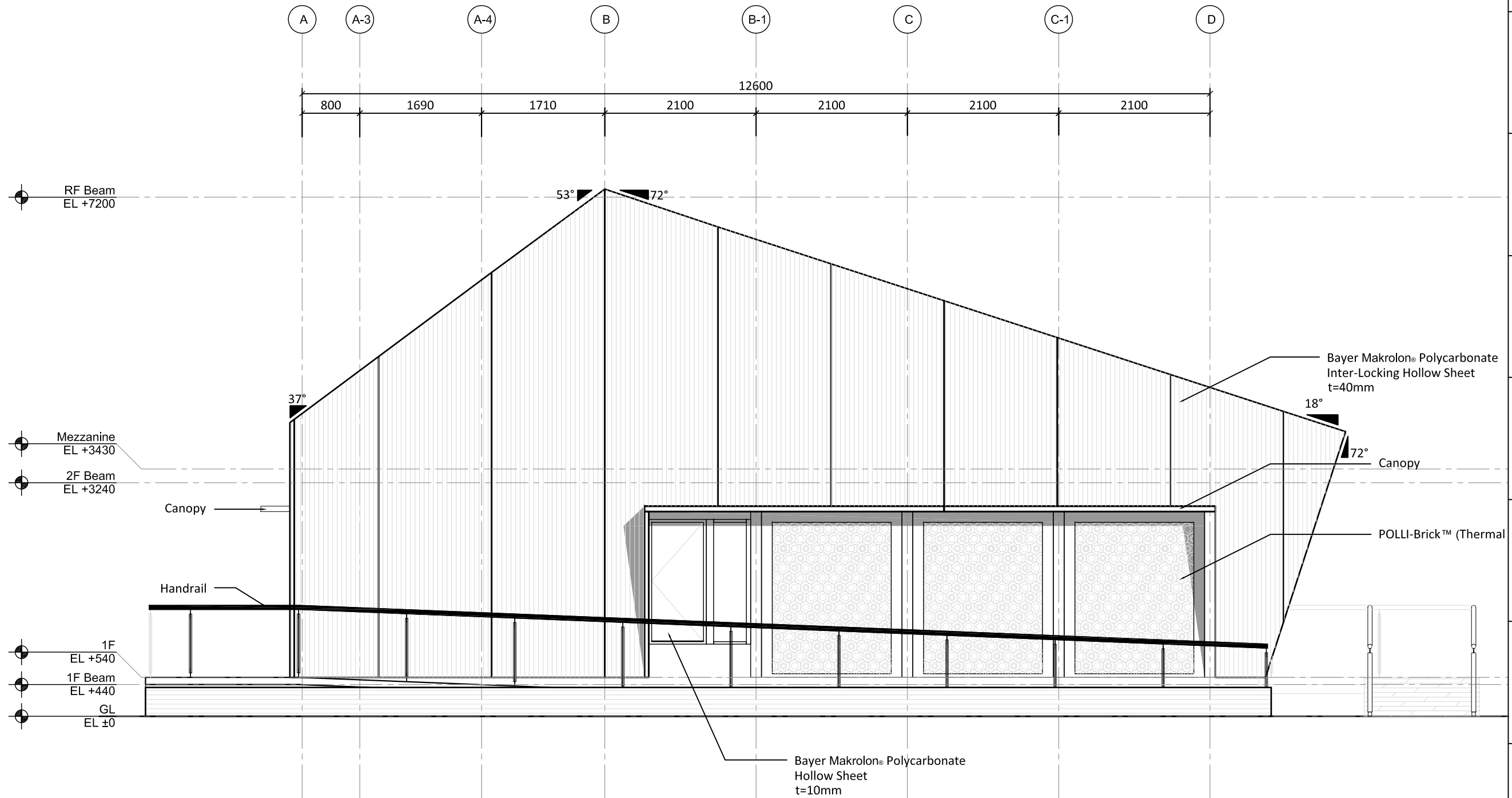
Note:

Mark	Date	Description
DN	2013/04/01	SD Submission
DN	2013/07/01	DDc Submission
ST	2013/11/01	DD Submission

Drawn by	CF
Checked by	DN
Scale	1:60
Unit	mm

DWG. Title
WEST ELEVATION

DWG. No.
AR-114



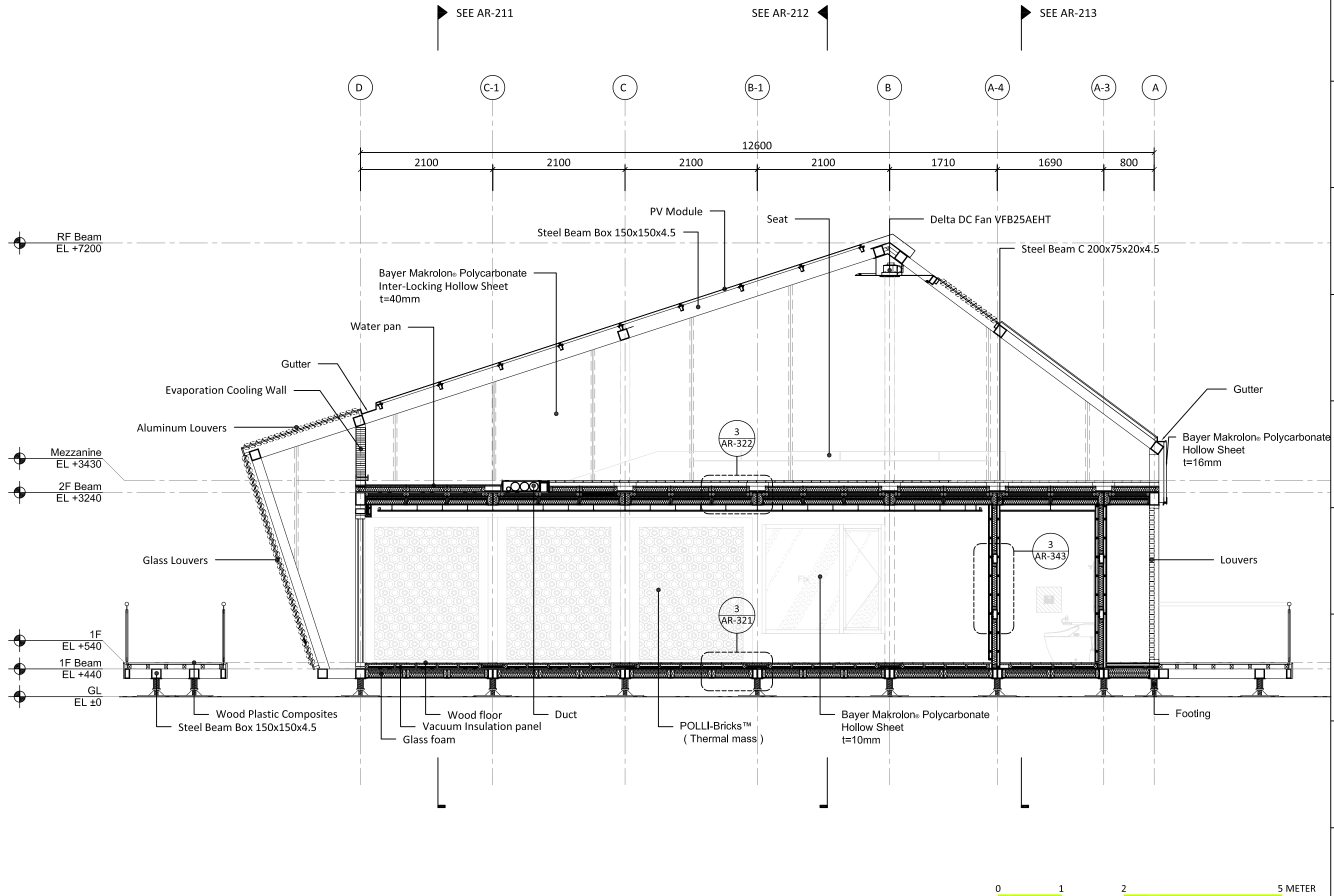


Mark	Date	Description
DN	2013/04/01	SD Submission
DN	2013/07/01	DDc Submission
ST	2013/11/01	DD Submission

Drawn by	CF
Checked by	DN
Scale	1:60
Unit	mm

DWG. Title
LONGITUDINAL SECTION 1

DWG. No.
AR-201





Mark	Date	Description
DN	2013/04/01	SD Submission
DN	2013/07/01	DDc Submission
ST	2013/11/01	DD Submission

Drawn by: CF

Checked by: DN

Scale: 1:60

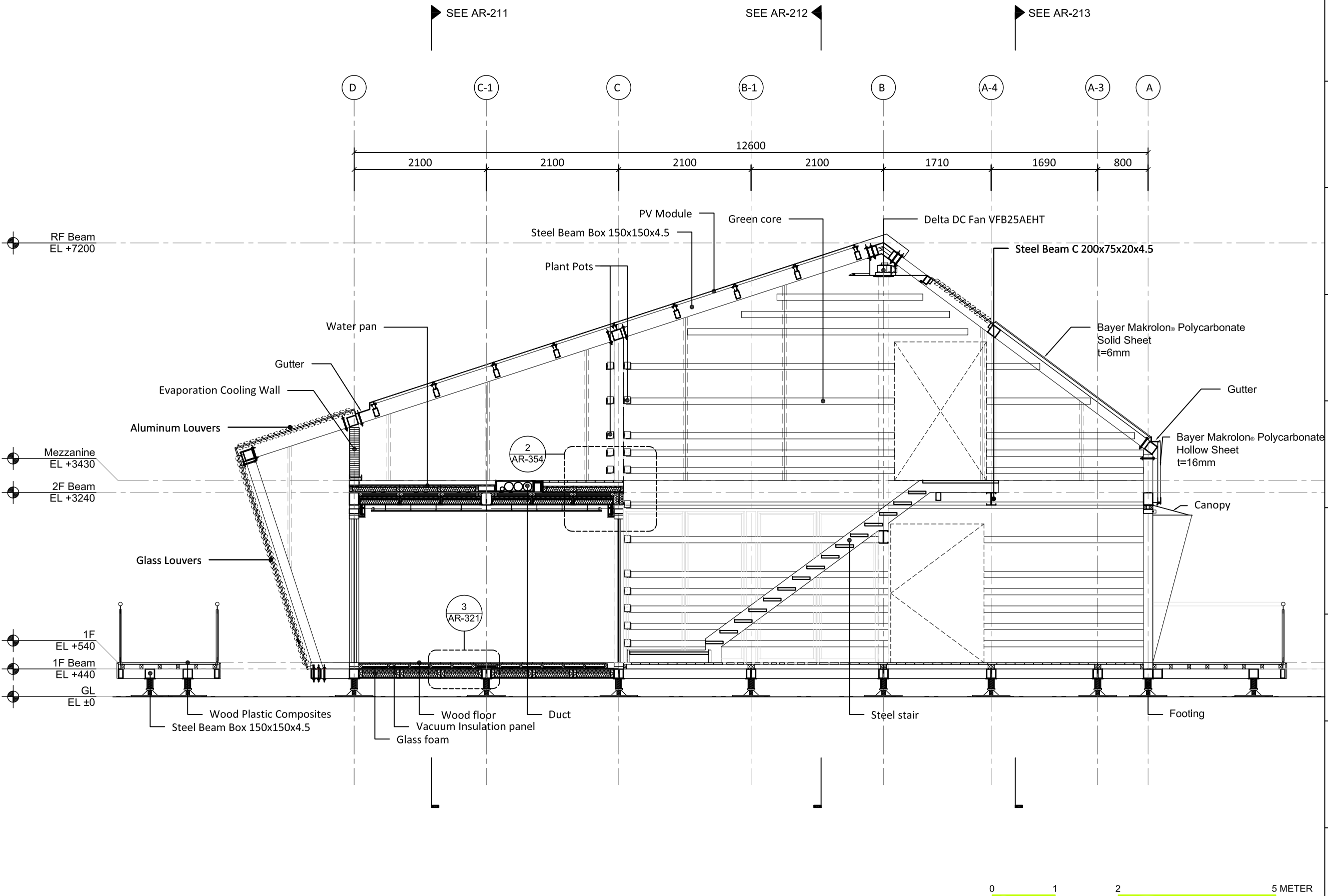
Unit: mm

DWG. Title

LONGITUDINAL SECTION
2

DWG. No.

AR-202



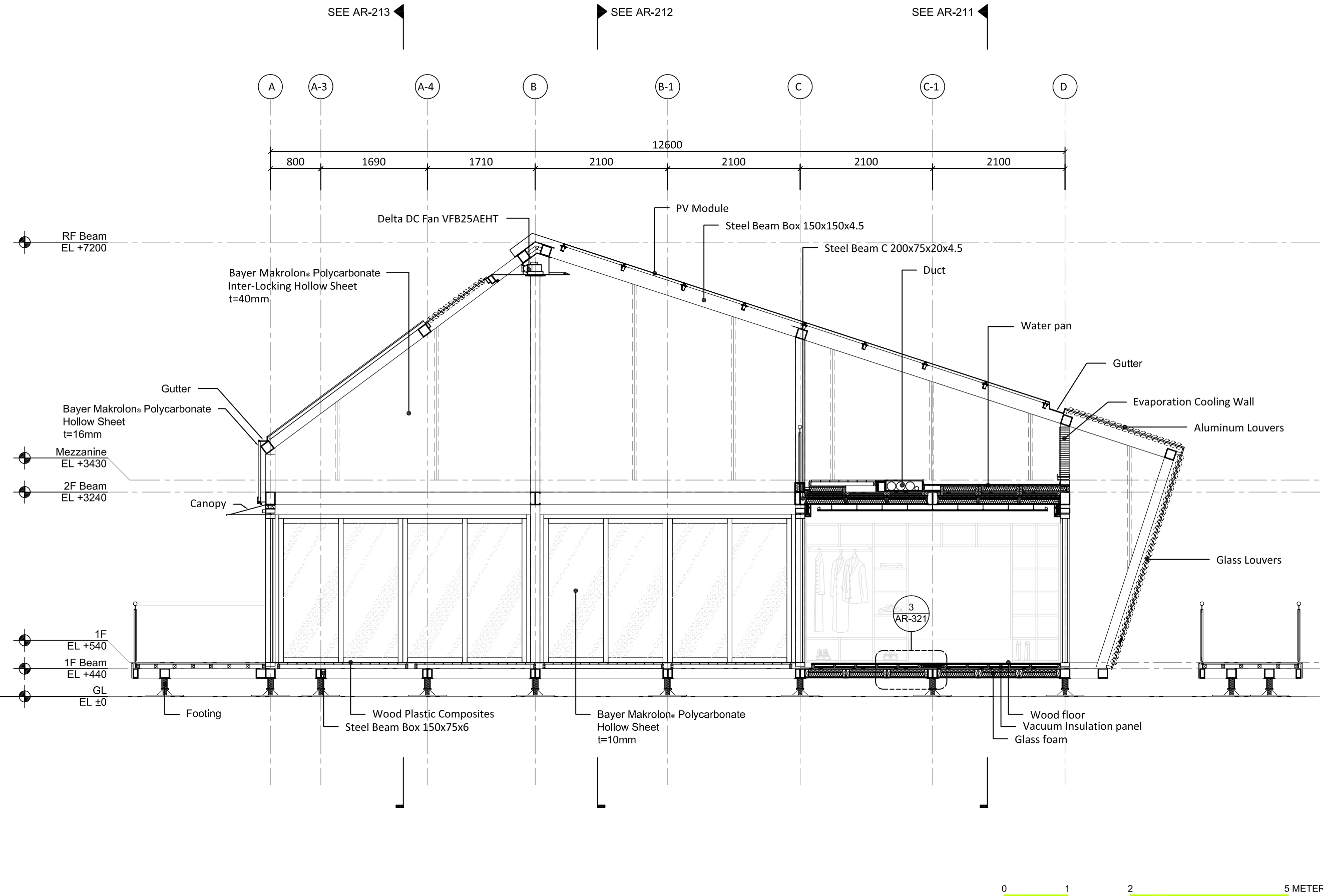


Mark	Date	Description
DN	2013/04/01	SD Submission
DN	2013/07/01	DDc Submission
ST	2013/11/01	DD Submission

Drawn by	CF
Checked by	DN
Scale	1:60
Unit	mm

DWG. Title
**LONGITUDINAL SECTION
3**

DWG. No.
AR-203





Mark	Date	Description
DN	2013/04/01	SD Submission
DN	2013/07/01	DDc Submission
ST	2013/11/01	DD Submission

Drawn by: CF

Checked by: DN

Scale: 1:60

Unit: mm

DWG. Title:

TRANSVERSAL SECTIONS
1

DWG. No.:

AR-211

SEE AR-201

SEE AR-202

SEE AR-203

1 2 3 4

3600 1800 3600 9000

Clear Glass PV Module Solar Water Heater Bayer Makrolon® Polycarbonate Solid Sheet t=6mm

Gutter Water pan Canopy AC Work Station Bedroom Closet Bed

POLLI-Bricks™ (Thermal mass)

3 AR-342

2 AR-351

Footing

Steel Column Box 150x150x6 mm

RF Beam EL +7200

Mezzanine EL +3430

2F Beam EL +3240

1F EL +540

1F Beam EL +440

GL EL ±0

0 1 2 5 METER

Project:



Institution:



NCTU Architecture
國立交通大學建築研究所

Team Name: NCTU/UNICODE

Address: 1001 Ta-Hsueh Road
Hsinchu City 30010
Taiwan

Contact: www.sde.tw



Consultants:

Note:

Mark	Date	Description
DN	2013/04/01	SD Submission
DN	2013/07/01	DDc Submission
ST	2013/11/01	DD Submission

Drawn by CH

Checked by DN

Scale 1:60

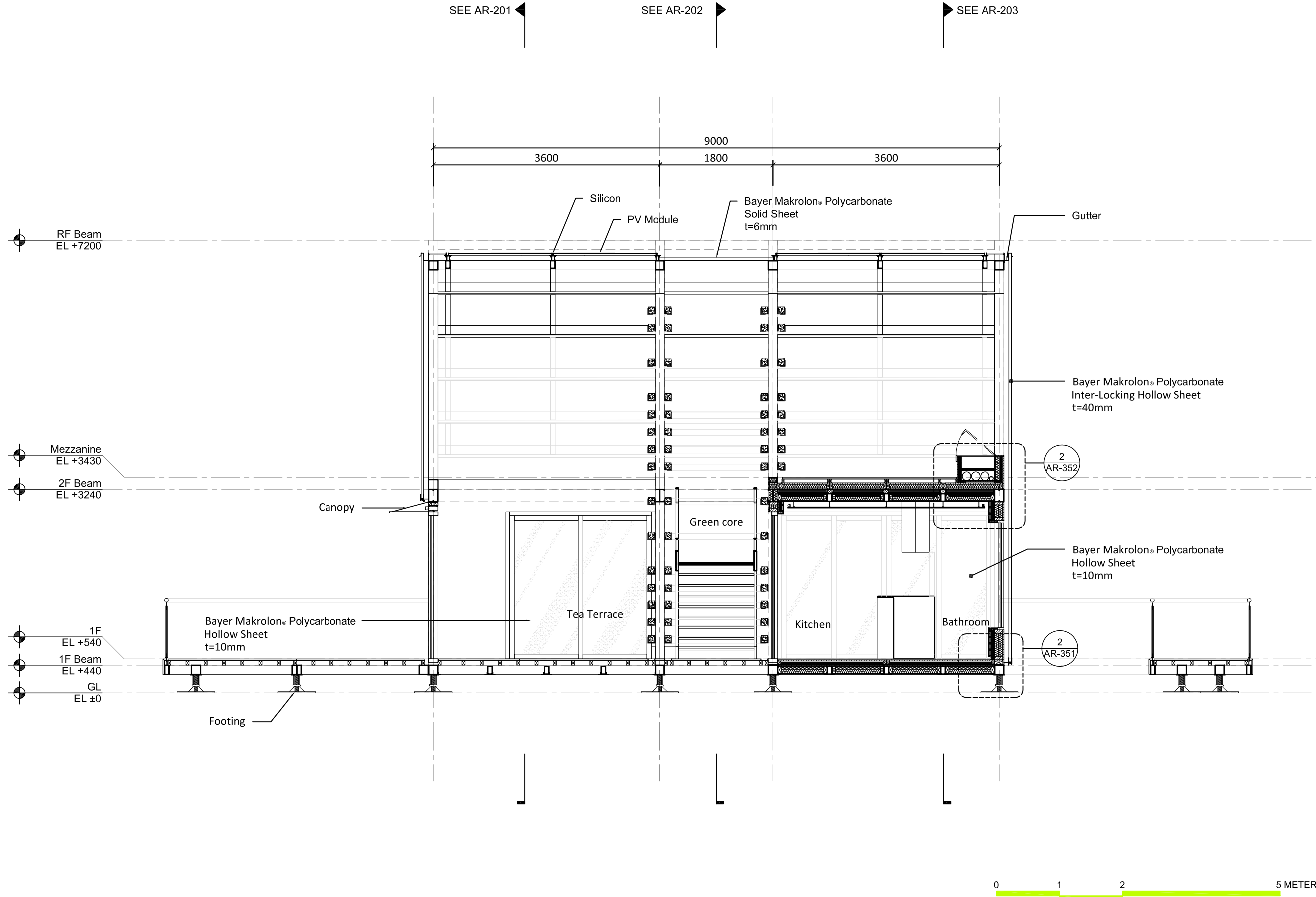
Unit mm

DWG. Title

TRANSVERSAL SECTIONS
2

DWG. No.

AR-212



SEE AR-201

SEE AR-202

SEE AR-203

3600 9000 1800 3600

Silicon

PV Module

Bayer Makrolon® Polycarbonate Solid Sheet t=6mm

Gutter

RF Beam
EL +7200

Mezzanine
EL +3430

2F Beam
EL +3240

Canopy

Green core

2
AR-352

Bayer Makrolon® Polycarbonate Hollow Sheet t=10mm

Bayer Makrolon® Polycarbonate Hollow Sheet t=10mm

Tea Terrace

Kitchen

Bathroom

2
AR-351

1F
EL +540
1F Beam
EL +440
GL
EL ±0

Footing

0 1 2 5 METER

Project:



Institution:



NCTU Architecture
國立交通大學建築研究所

Team Name: NCTU/UNICODE
Address: 1001 Ta-Hsueh Road
Hsinchu City 30010
Taiwan
Contact: www.sde.tw



Consultants:

Note:

Mark	Date	Description
DN	2013/04/01	SD Submission
DN	2013/07/01	DDc Submission
ST	2013/11/01	DD Submission

Drawn by	CF
Checked by	DN
Scale	1:60
Unit	mm

DWG. Title
TRANSVERSAL SECTIONS
3

DWG. No.

AR-213

SEE AR-201

SEE AR-202

SEE AR-203

1 2 3 4

3600 9000 1800 3600

RF Beam
EL +7200

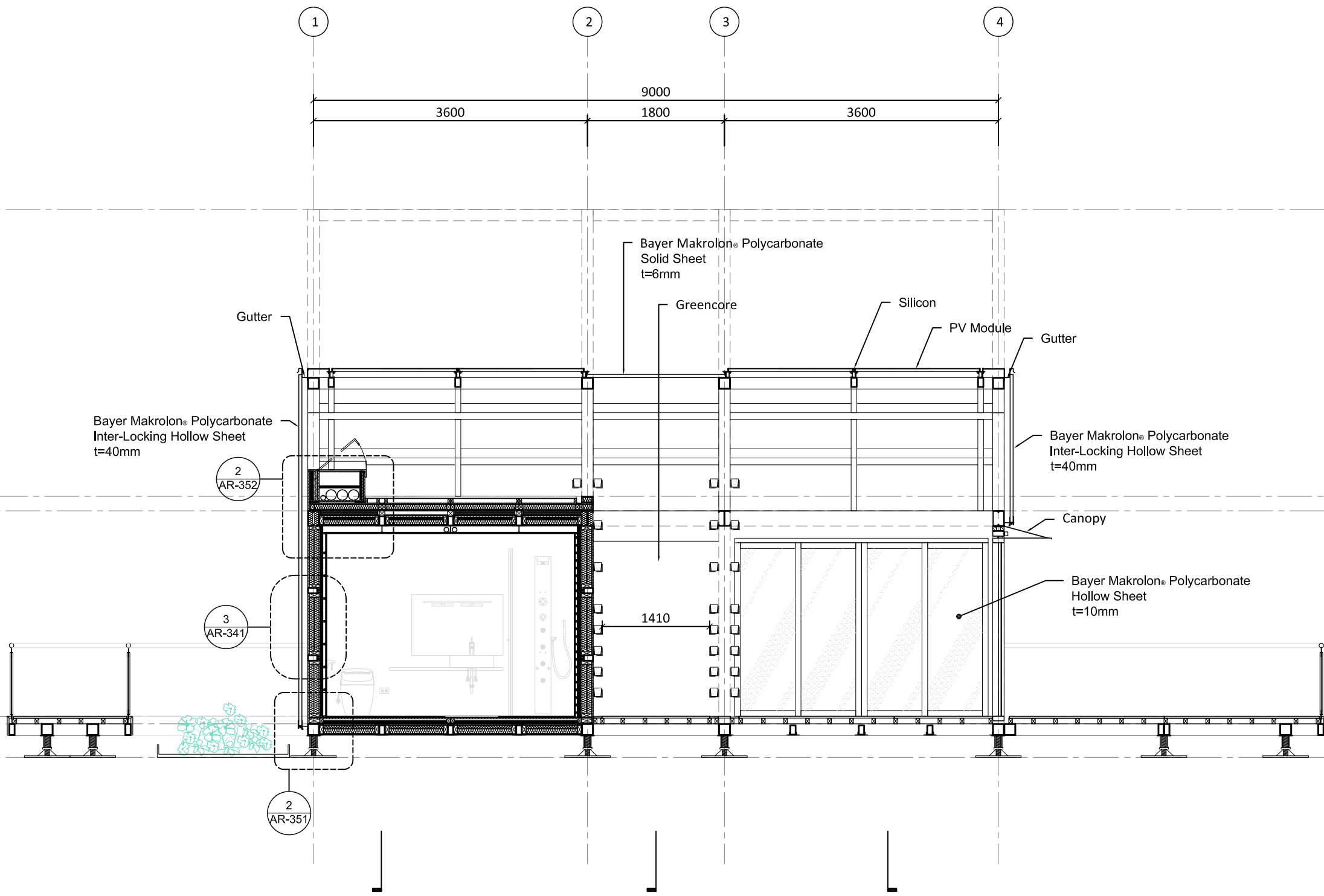
Mezzanine
EL +3430

2F Beam
EL +3240

1F
EL +540

1F Beam
EL +440

GL
EL ±0



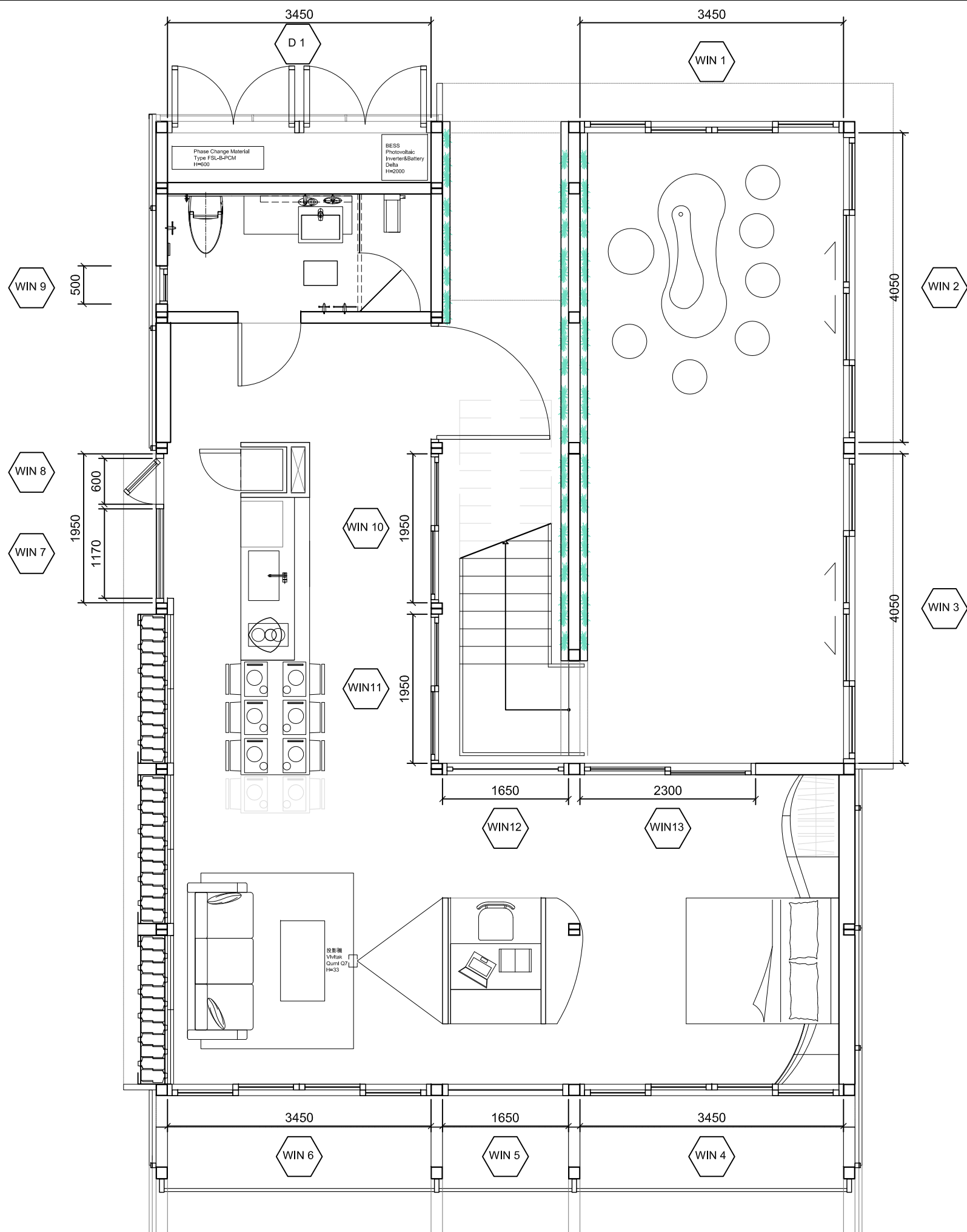
2
AR-352

3
AR-341

2
AR-351

1410

0 1 2 5 METER



Project:



Institution:



NCTU Architecture
國立交通大學建築研究所

Team Name: NCTU/UNICODE

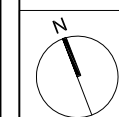
Address: 1001 Ta-Hsueh Road
Hsinchu City 30010
Taiwan

Contact: www.sde.tw



Consultants:

Note:



Mark	Date	Description
DN	2013/04/01	SD Submission
DN	2013/07/01	DDc Submission
ST	2013/11/01	DD Submission

Drawn by: CF

Checked by: DN

Scale: 1:60

Unit: mm

DWG. Title

WINDOW SCHEDULE AND
DETAILS 1

DWG. No.

AR-301



Project:



Institution:



NCTU Architecture
國立交通大學建築研究所

Team Name: NCTU/UNICODE
Address: 1001 Ta-Hsueh Road
Hsinchu City 30010
Taiwan
Contact: www.sde.tw



Consultants:

Note:

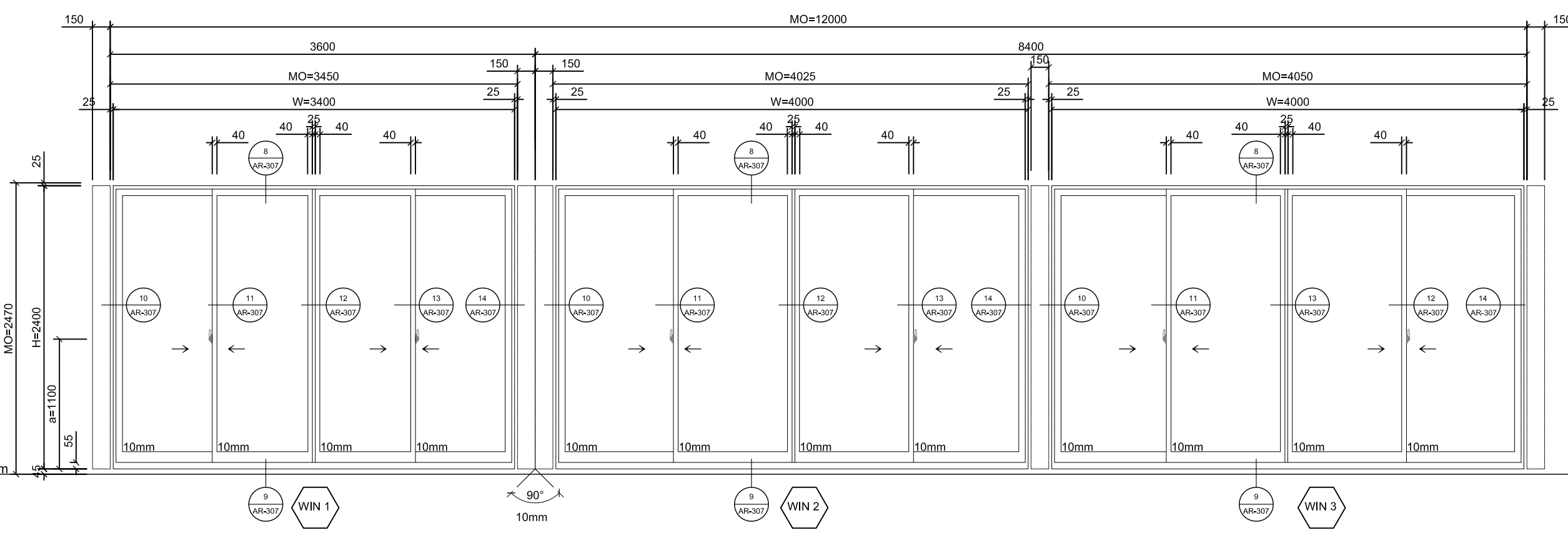
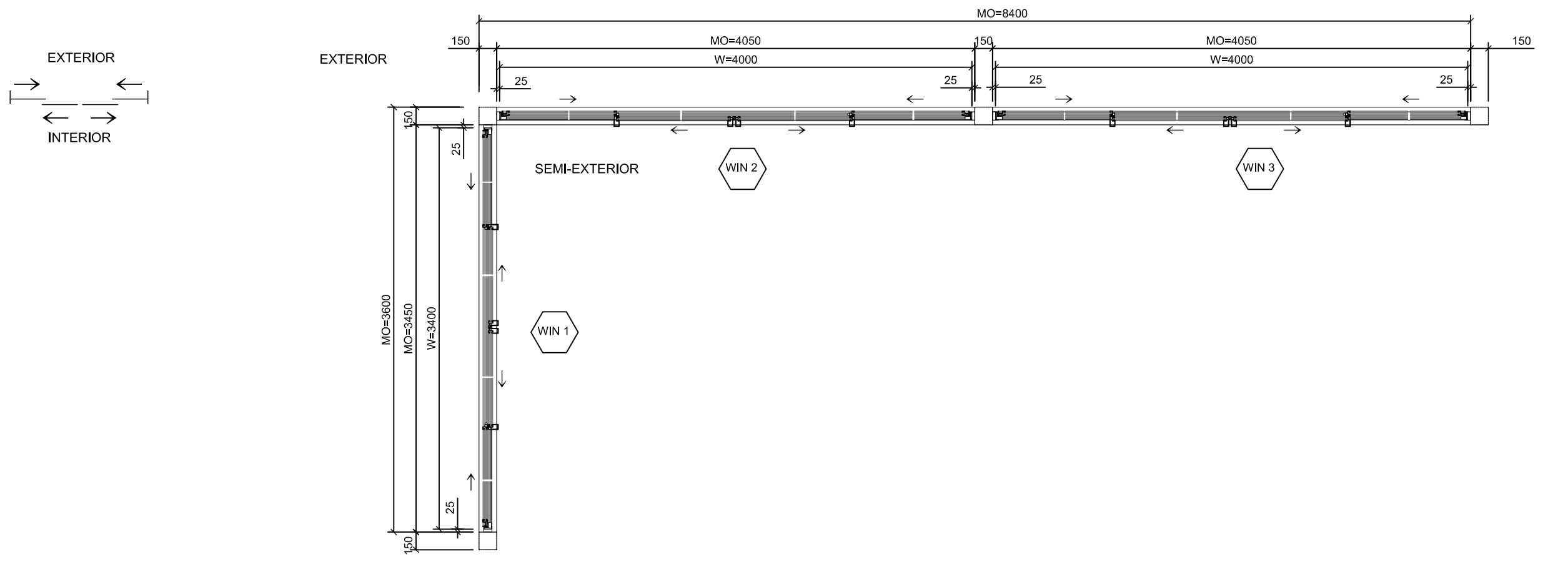
Mark	Date	Description
DN	2013/04/01	SD Submission
DN	2013/07/01	DDc Submission
ST	2013/11/01	DD Submission

Drawn by	CF
Checked by	DN
Scale	1:40
Unit	mm

DWG. Title
WINDOW SCHEDULE AND DETAILS 2

DWG. No.

AR-302



Project:



Institution:



NCTU Architecture
國立交通大學建築研究所

Team Name: NCTU/UNICODE

Address: 1001 Ta-Hsueh Road
Hsinchu City 30010
Taiwan

Contact: www.sde.tw



Consultants:

Note:

Mark	Date	Description
DN	2013/04/01	SD Submission
DN	2013/07/01	DDc Submission
ST	2013/11/01	DD Submission

Drawn by: CF

Checked by: DN

Scale: 1:40

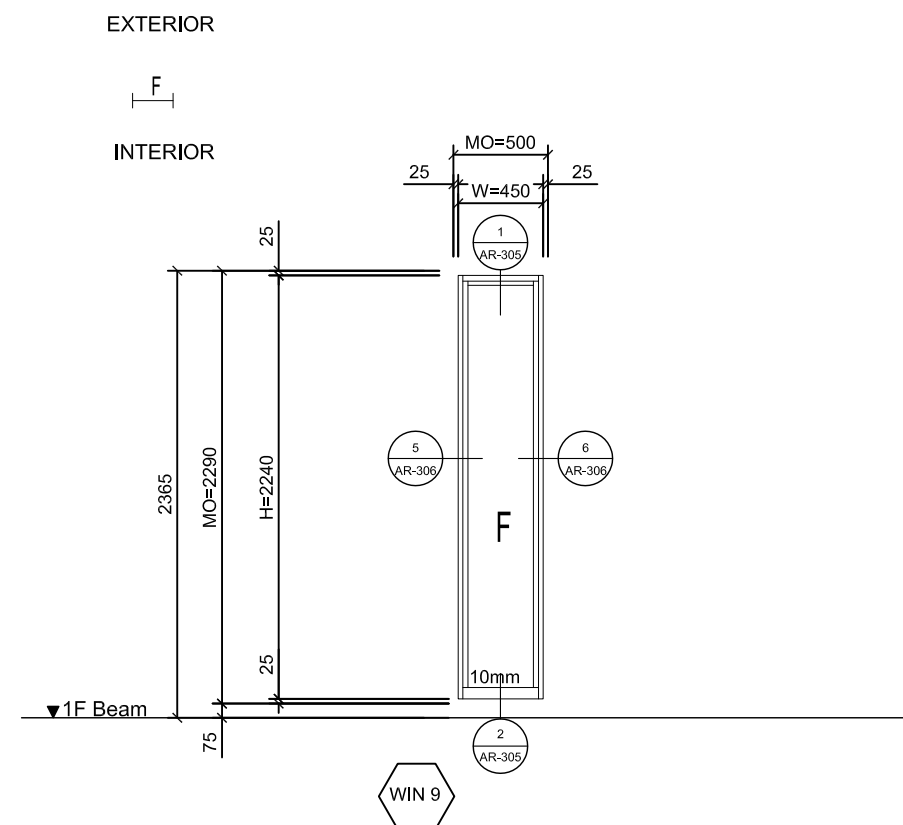
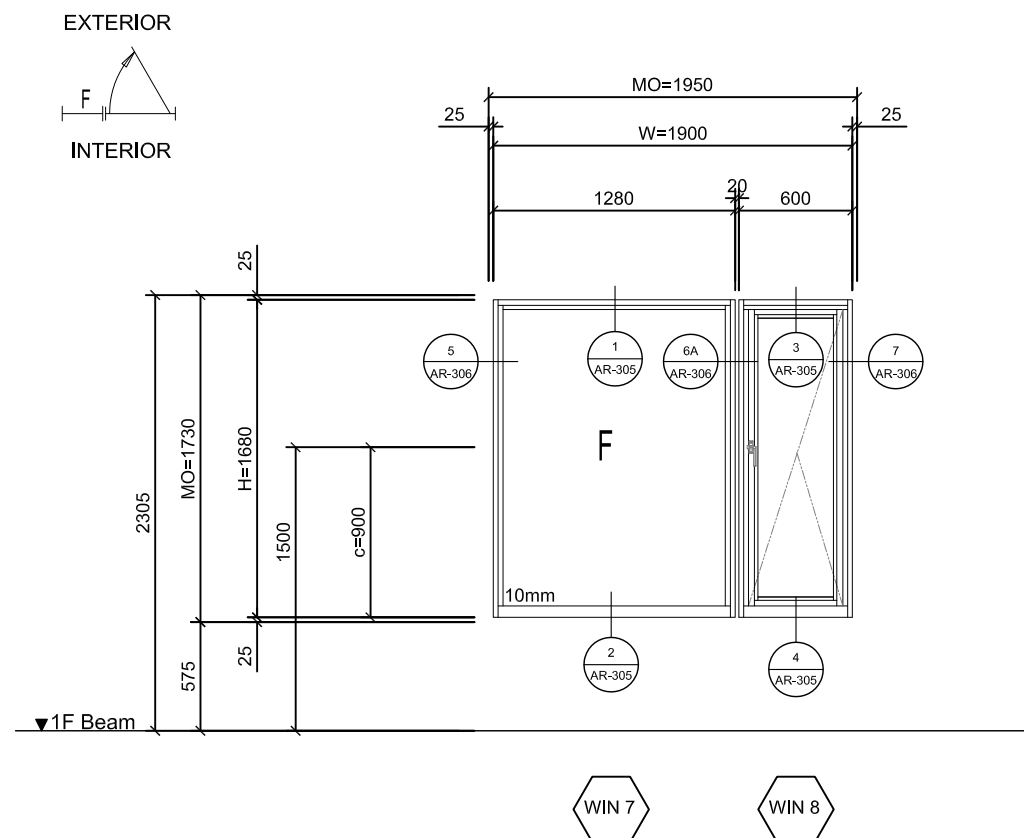
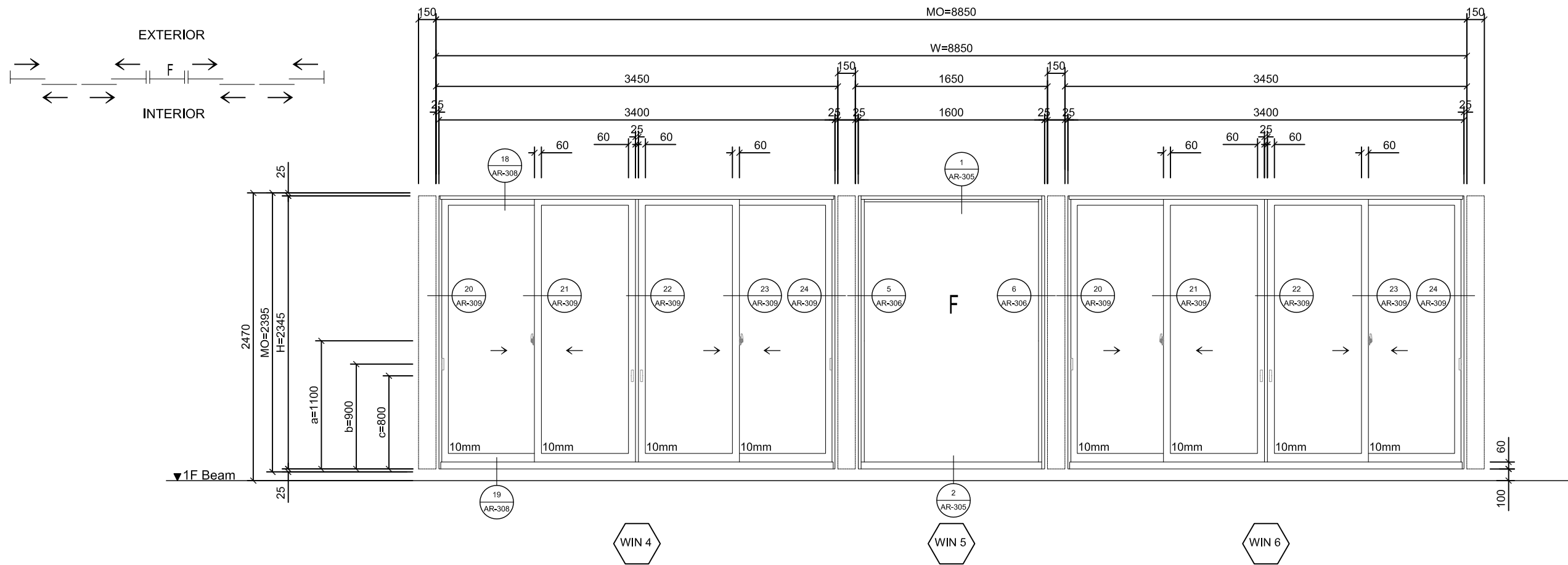
Unit: mm

DWG. Title:

WINDOW SCHEDULE AND
DETAILS 3

DWG. No.:

AR-303



0 0.5 1 2 METER

0 0.5 1 2 METER



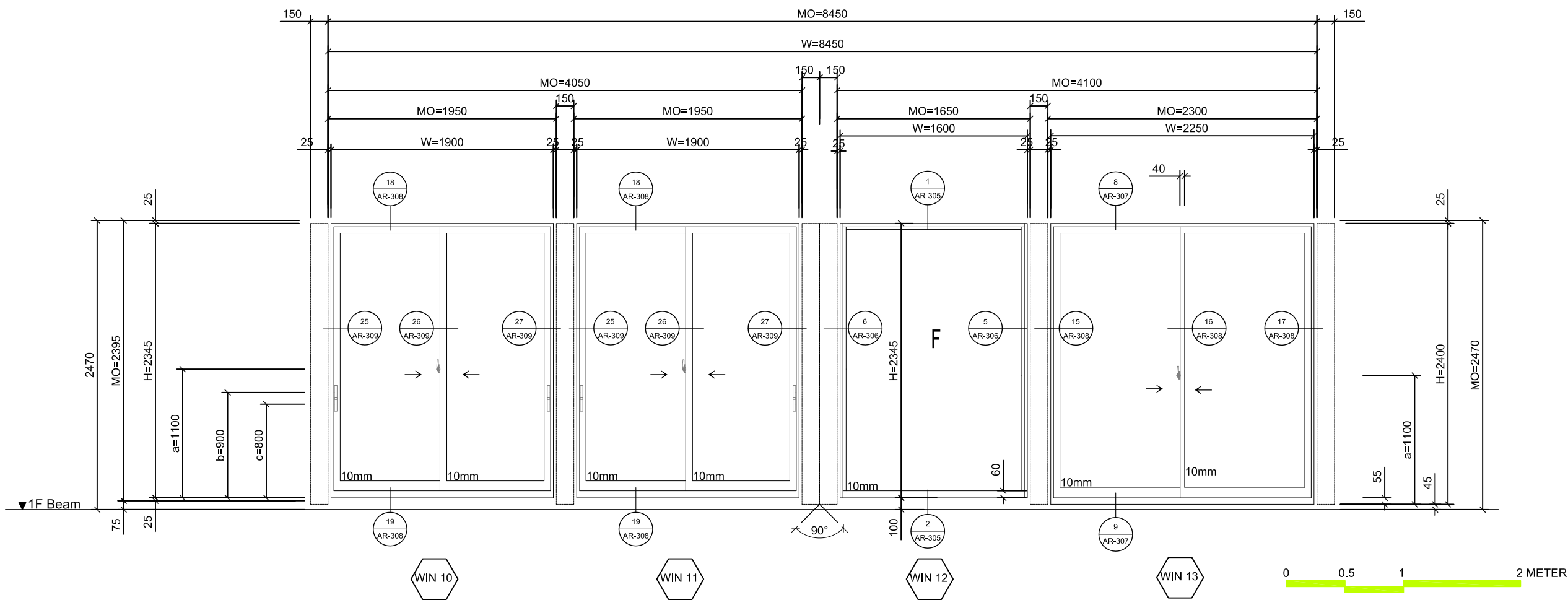
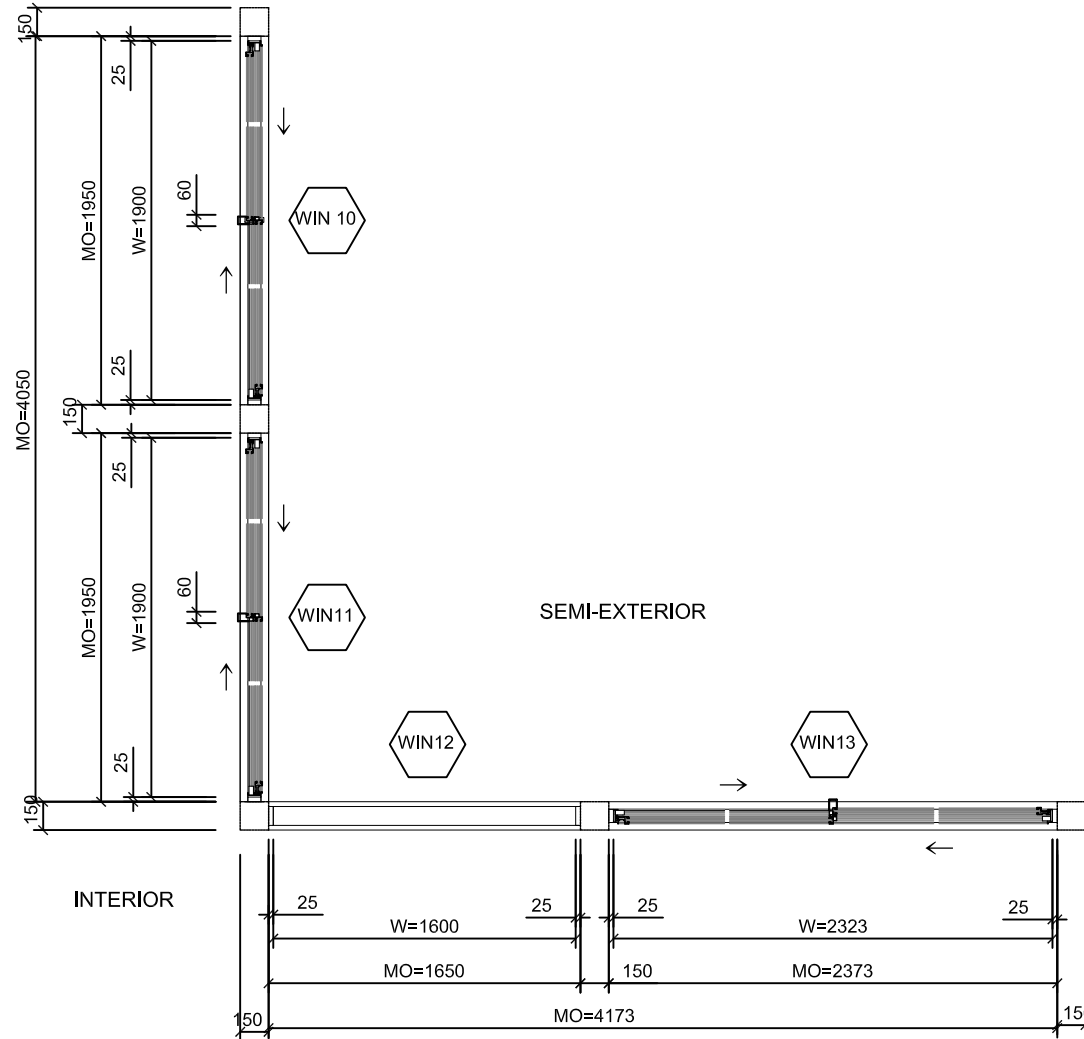
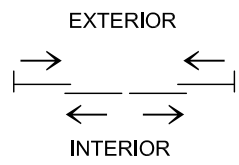
Mark	Date	Description
DN	2013/04/01	SD Submission
DN	2013/07/01	DDc Submission
ST	2013/11/01	DD Submission

Drawn by	CF
Checked by	DN
Scale	1:40
Unit	mm

DWG. Title
WINDOW SCHEDULE AND DETAILS 4

DWG. No.

AR-304





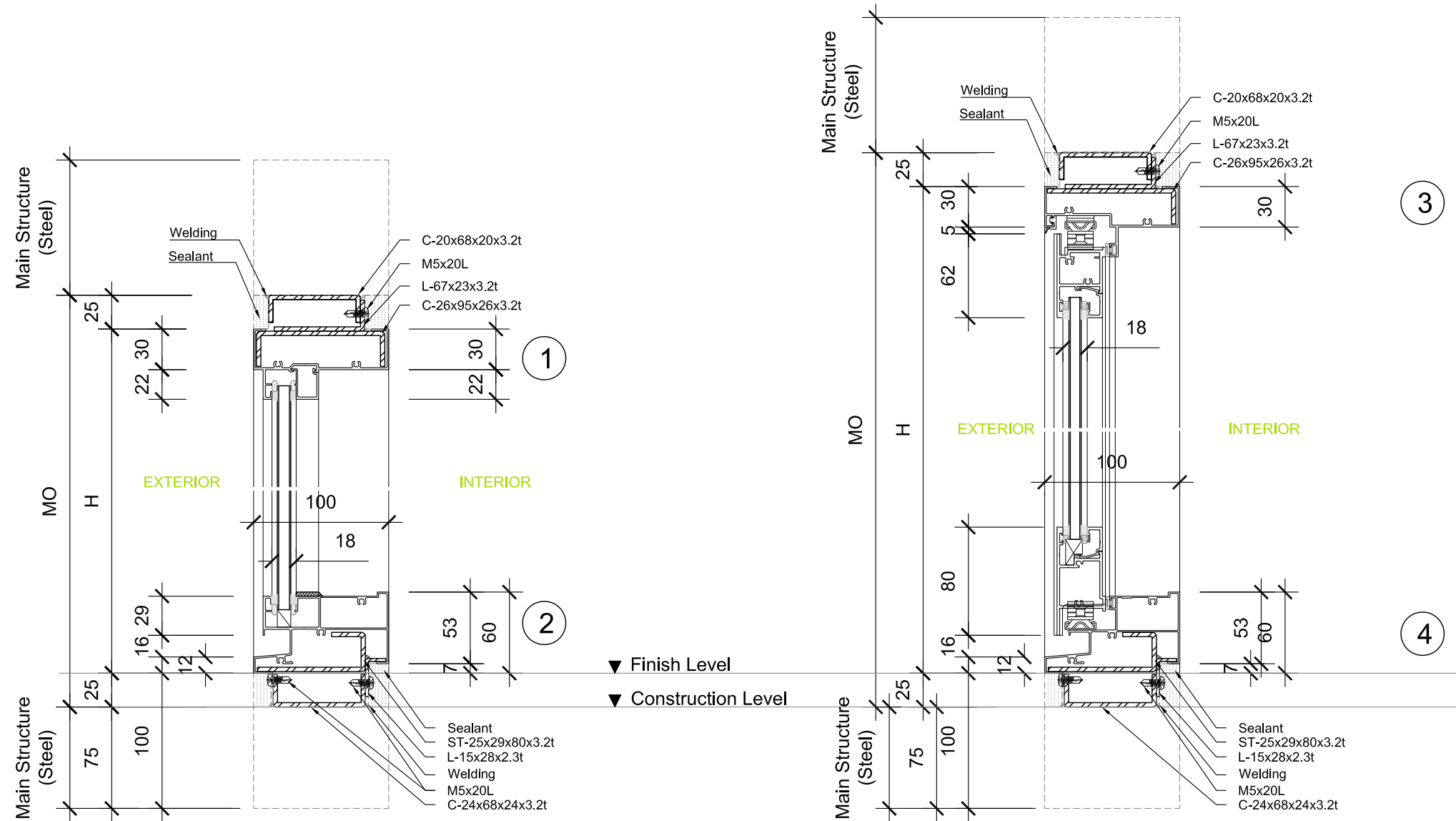
Mark	Date	Description
DN	2013/04/01	SD Submission
DN	2013/07/01	DDc Submission
ST	2013/11/01	DD Submission

Drawn by	CF
Checked by	DN
Scale	1:4
Unit	mm

DWG. Title
WINDOW SCHEDULE AND DETAILS 5

DWG. No.

AR-305





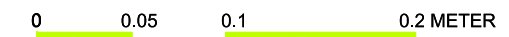
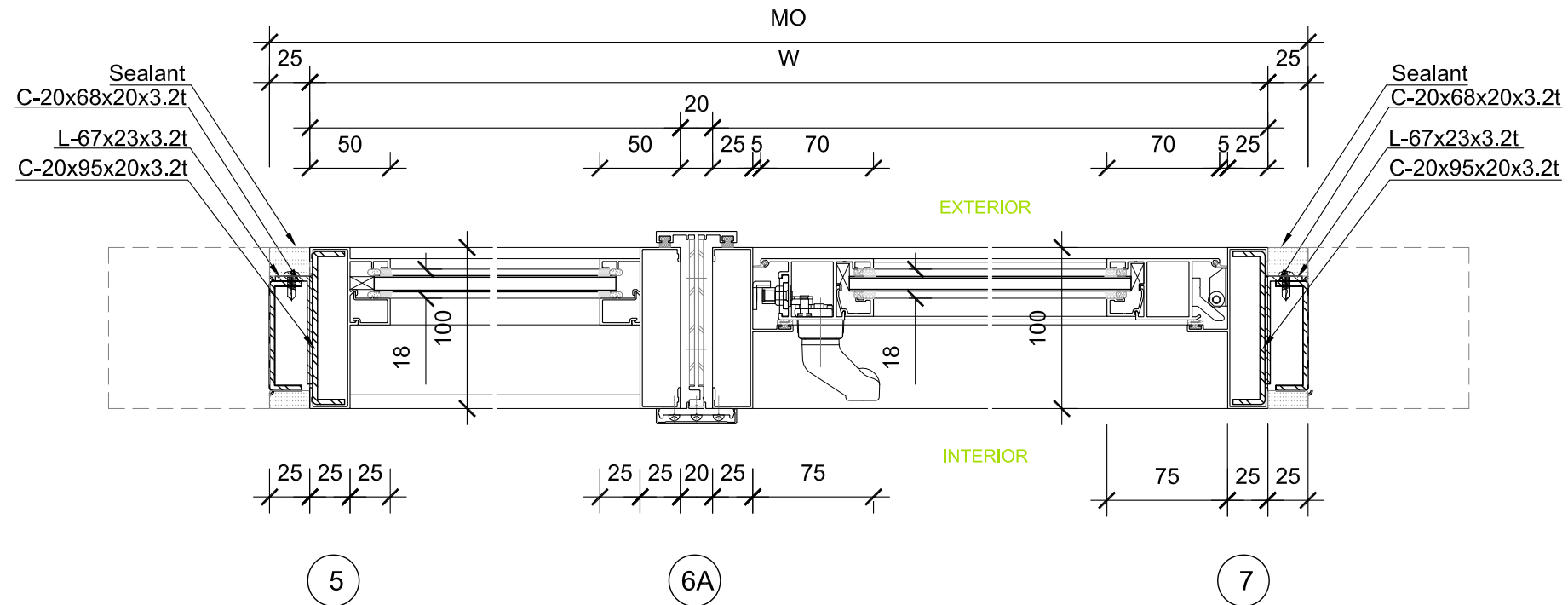
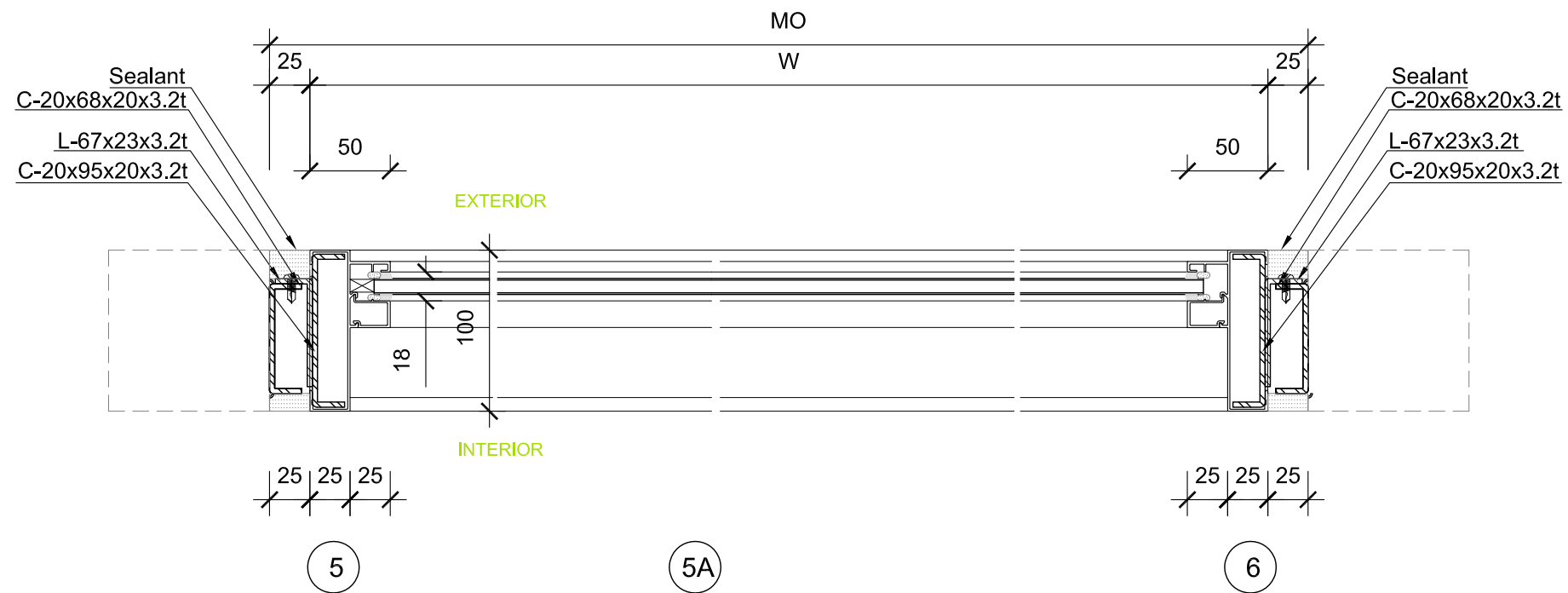
Mark	Date	Description
DN	2013/04/01	SD Submission
DN	2013/07/01	DDc Submission
ST	2013/11/01	DD Submission

Drawn by	CF
Checked by	DN
Scale	1:4
Unit	mm

DWG. Title
WINDOW SCHEDULE AND DETAILS 6

DWG. No.

AR-306





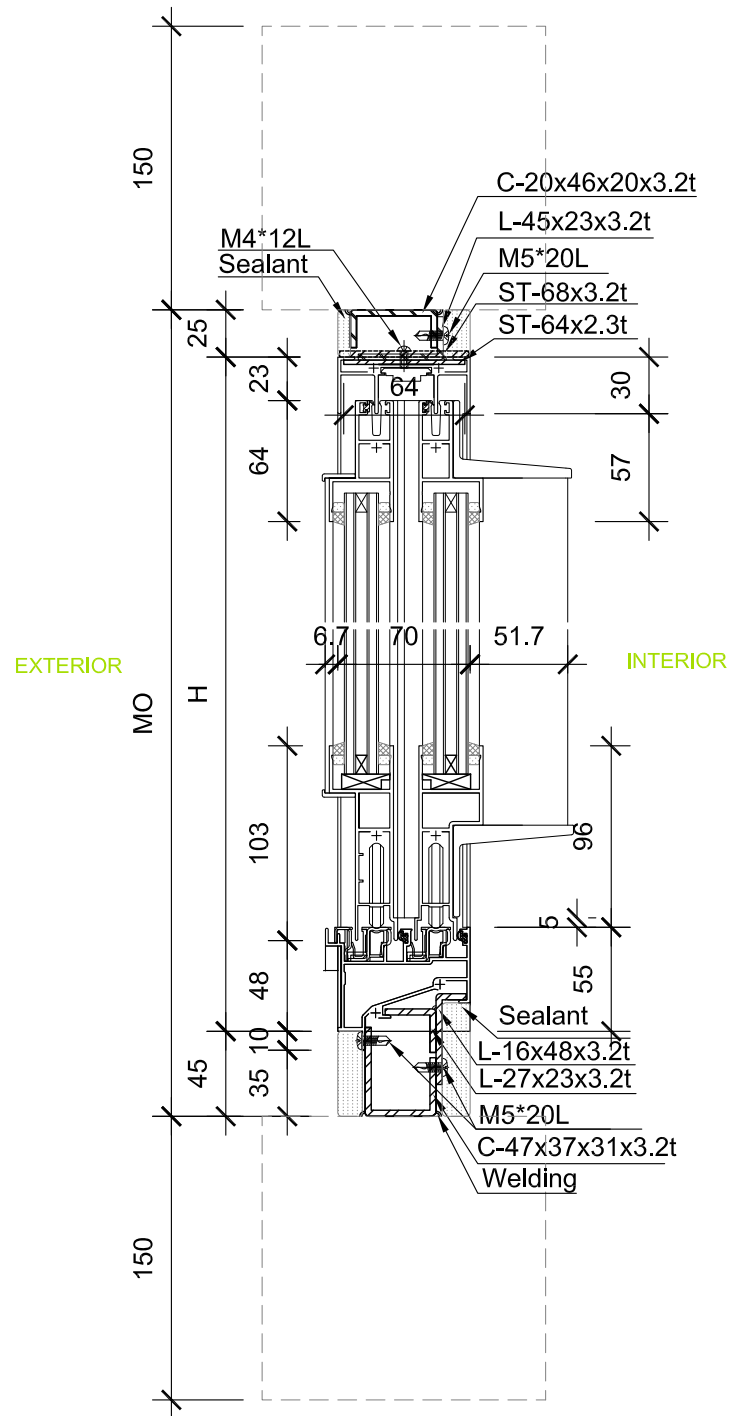
Mark	Date	Description
DN	2013/04/01	SD Submission
DN	2013/07/01	DDc Submission
ST	2013/11/01	DD Submission

Drawn by	CF
Checked by	DN
Scale	1:4
Unit	mm

DWG. Title
WINDOW SCHEDULE AND DETAILS 7

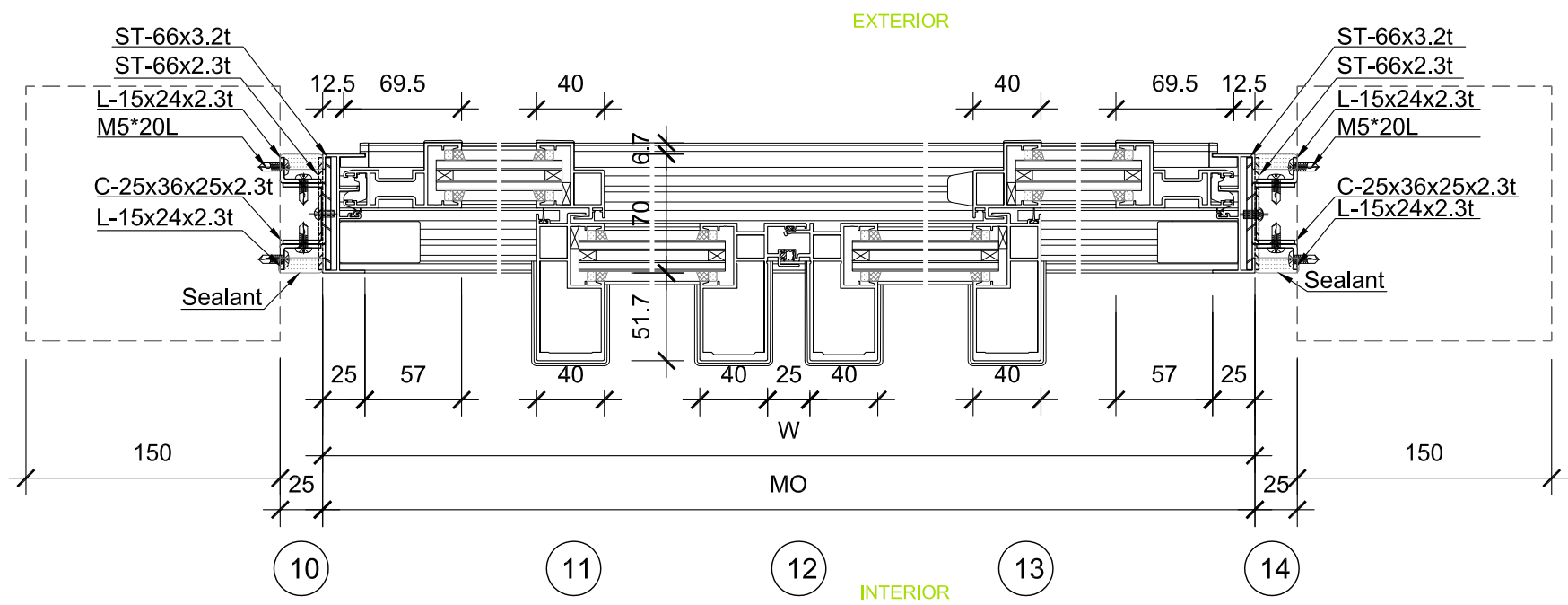
DWG. No.

AR-307



8

9



Project:



Institution:



NCTU Architecture
國立交通大學建築研究所

Team Name: NCTU/UNICODE
Address: 1001 Ta-Hsueh Road
Hsinchu City 30010
Taiwan
Contact: www.sde.tw



Consultants:

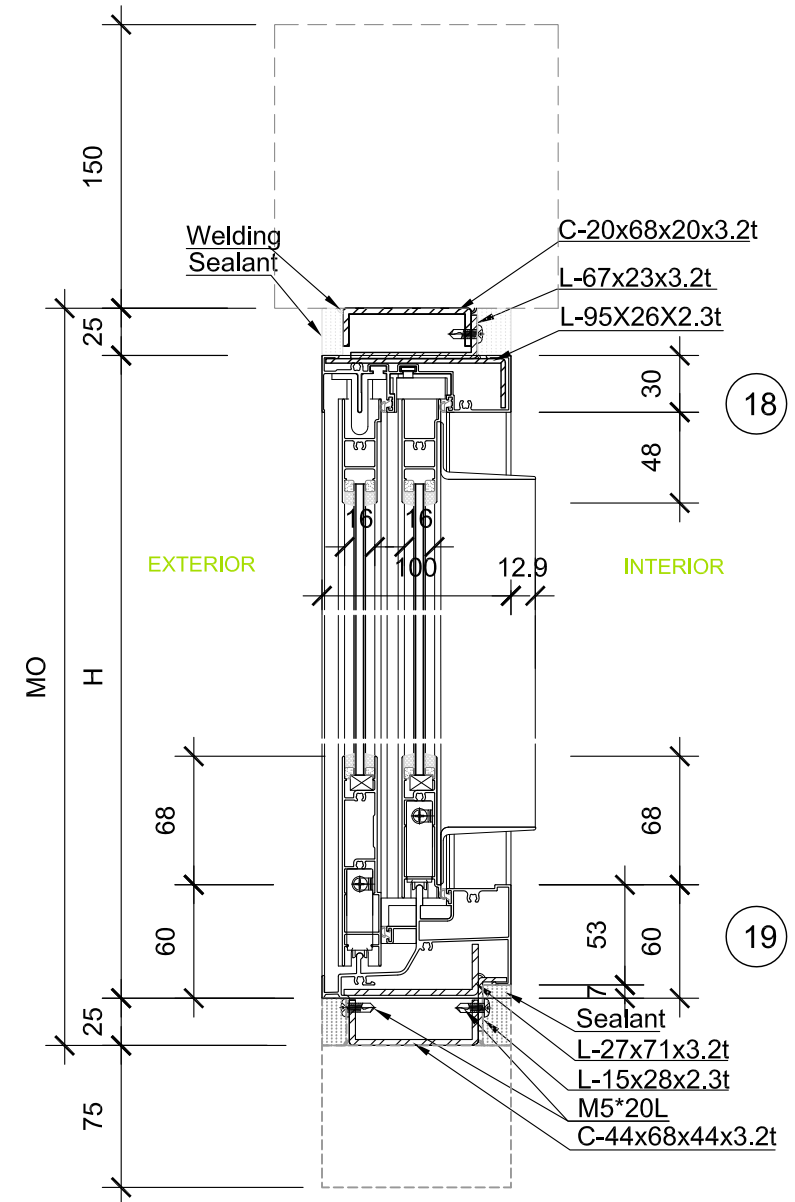
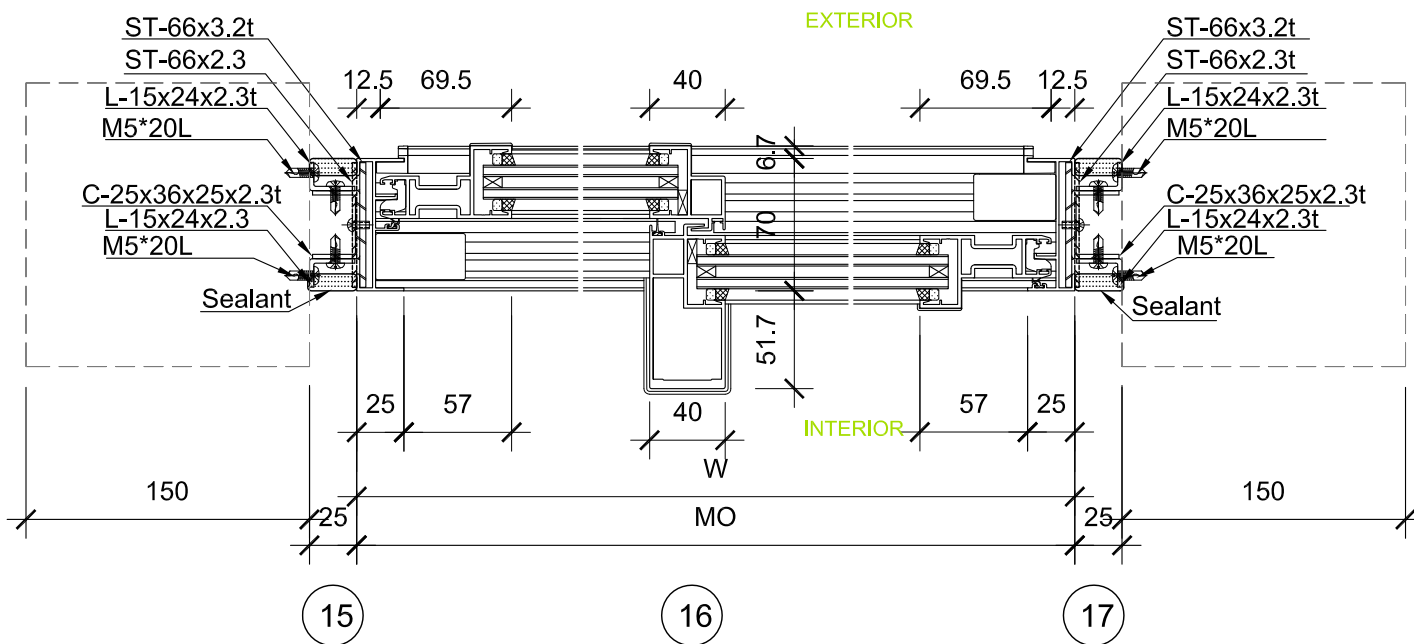
Note:

Mark	Date	Description
DN	2013/04/01	SD Submission
DN	2013/07/01	DDc Submission
ST	2013/11/01	DD Submission

Drawn by	CF
Checked by	DN
Scale	1:4
Unit	mm

DWG. Title
WINDOW SCHEDULE AND DETAILS 8

DWG. No.
AR-308





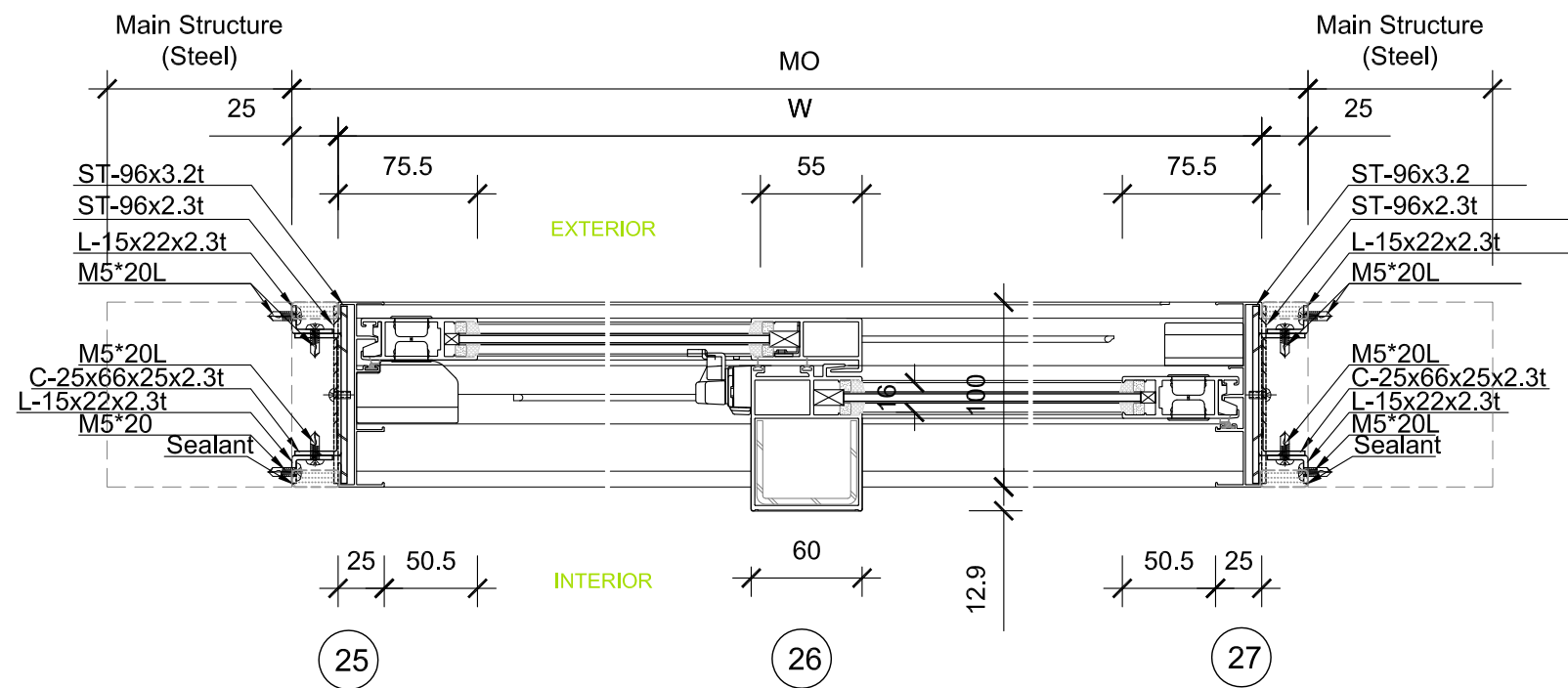
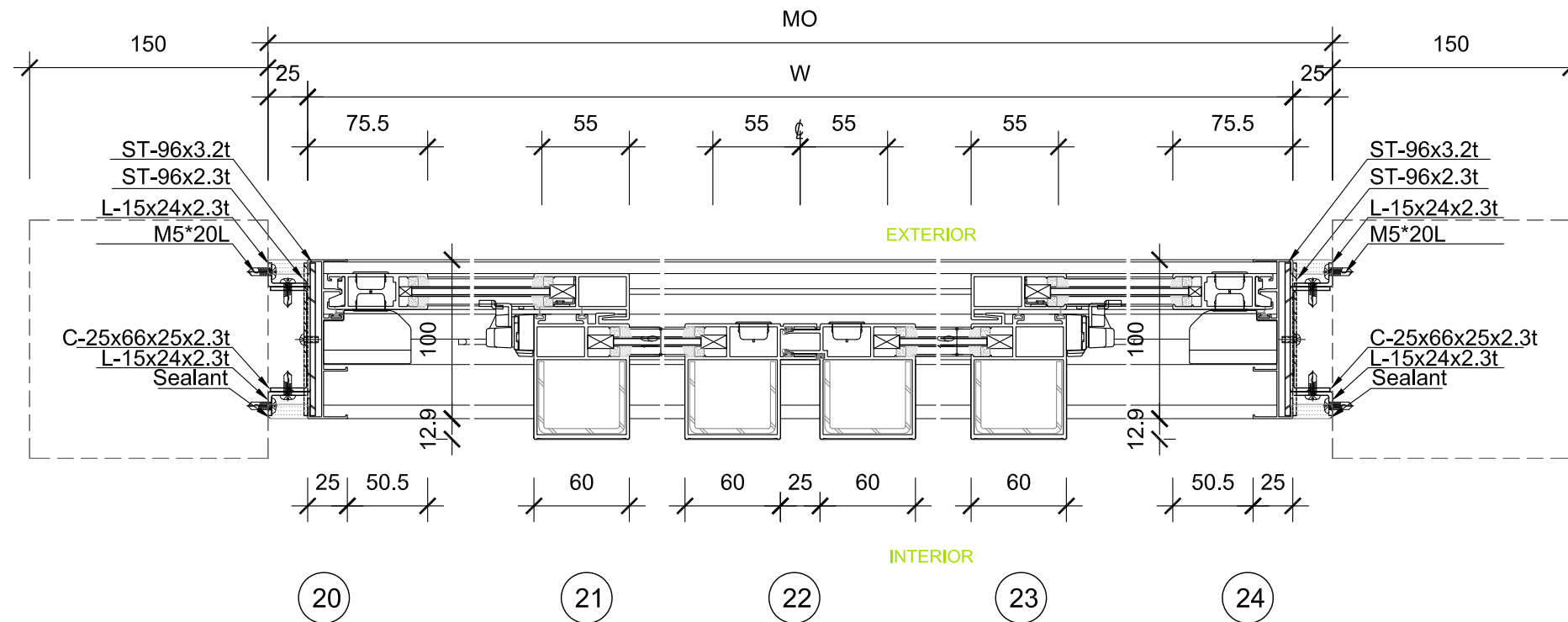
Mark	Date	Description
DN	2013/04/01	SD Submission
DN	2013/07/01	DDc Submission
ST	2013/11/01	DD Submission

Drawn by	CF
Checked by	DN
Scale	1:4
Unit	mm

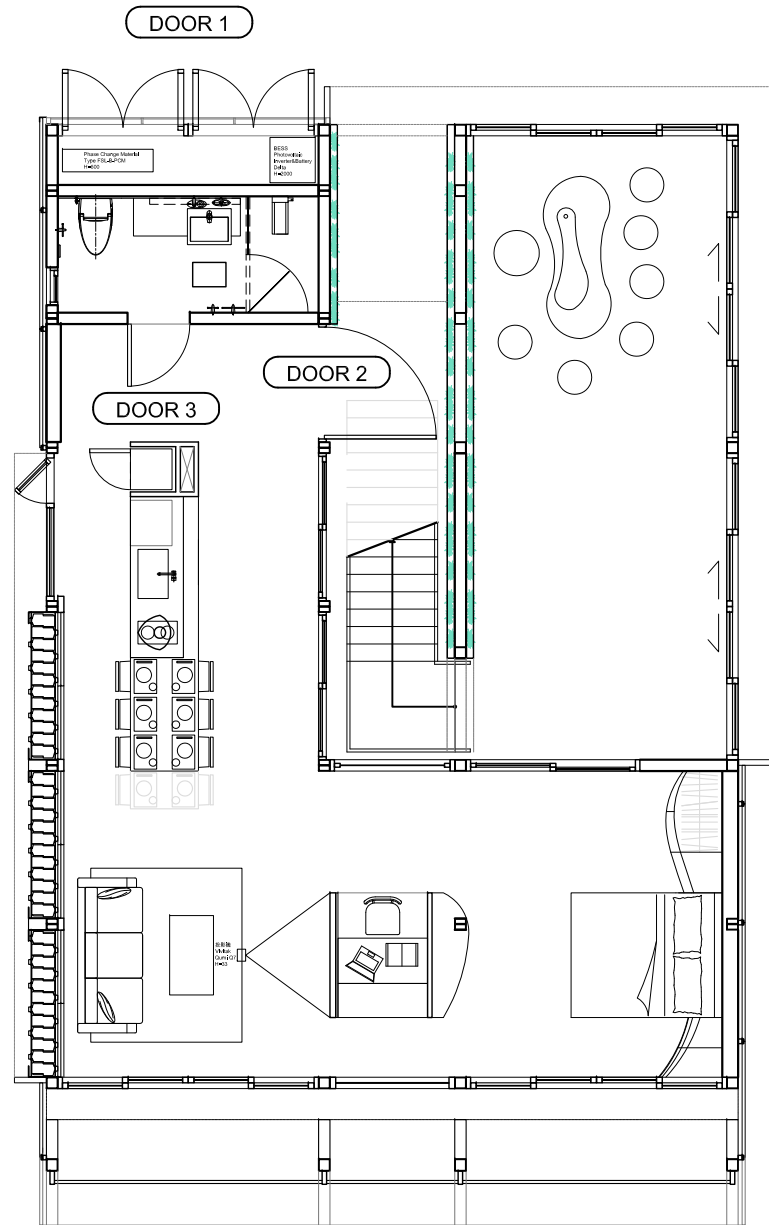
DWG. Title
WINDOW SCHEDULE AND DETAILS 9

DWG. No.

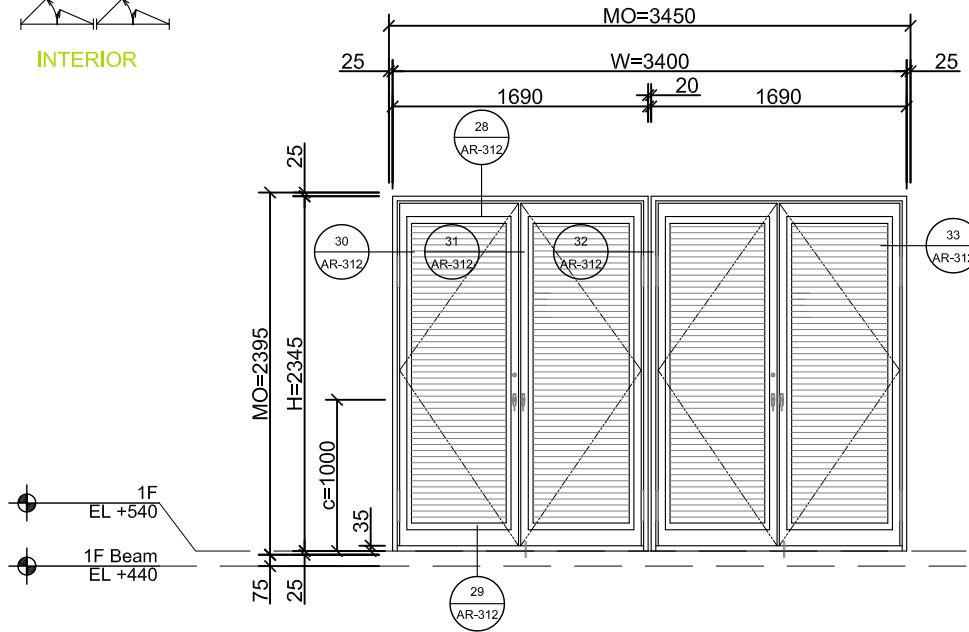
AR-309



0 0.05 0.1 0.2 METER



EXTERIOR
INTERIOR

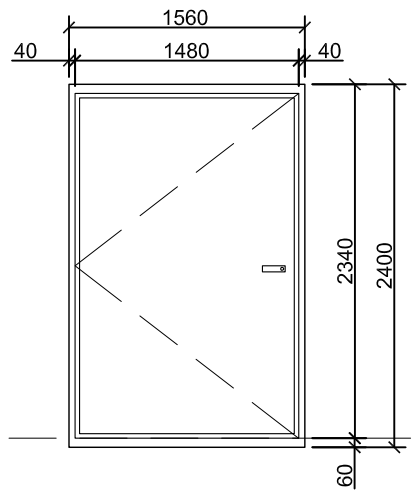


DOOR 1

TYPE	HINGED
LOCATION	MECH RM
NOTE	FIRE RATED
MATERIAL	METEL GRILL



1F
EL +540
1F Beam
EL +440

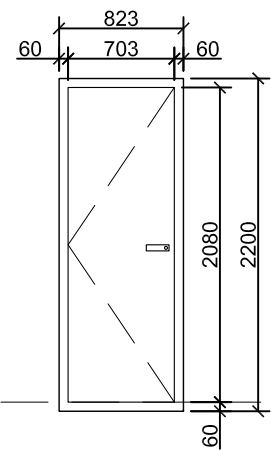


DOOR 2

TYPE	HINGED
LOCATION	ENTRANCE
NOTE	FIRE RATED
MATERIAL	METEL+GLASS



1F
EL +540



DOOR 3

TYPE	HINGED
LOCATION	BATH RM
NOTE	FIRE RATED
MATERIAL	WOOD



1F
EL +540



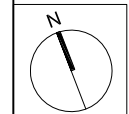
NCTU Architecture
國立交通大學建築研究所

Team Name: NCTU/UNICODE
Address: 1001 Ta-Hsueh Road
Hsinchu City 30010
Taiwan
Contact: www.sde.tw



Consultants:

Note:



Mark	Date	Description
DN	2013/04/01	SD Submission
DN	2013/07/01	DDc Submission
ST	2013/11/01	DD Submission

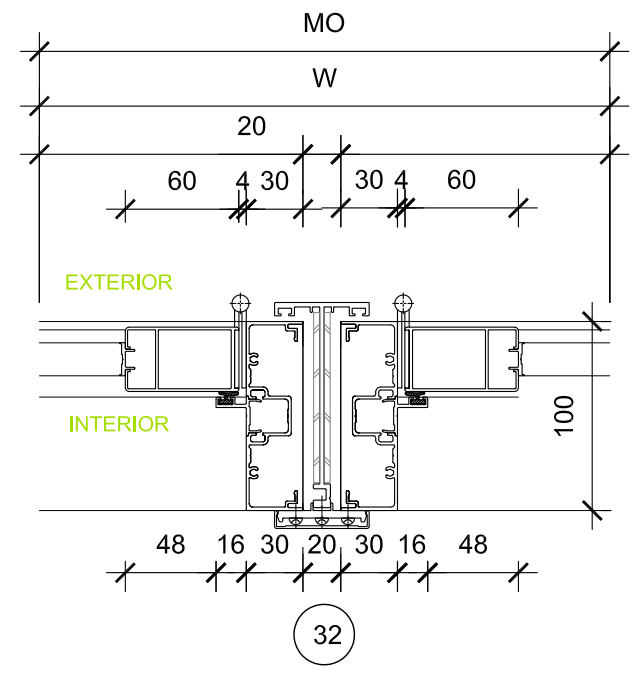
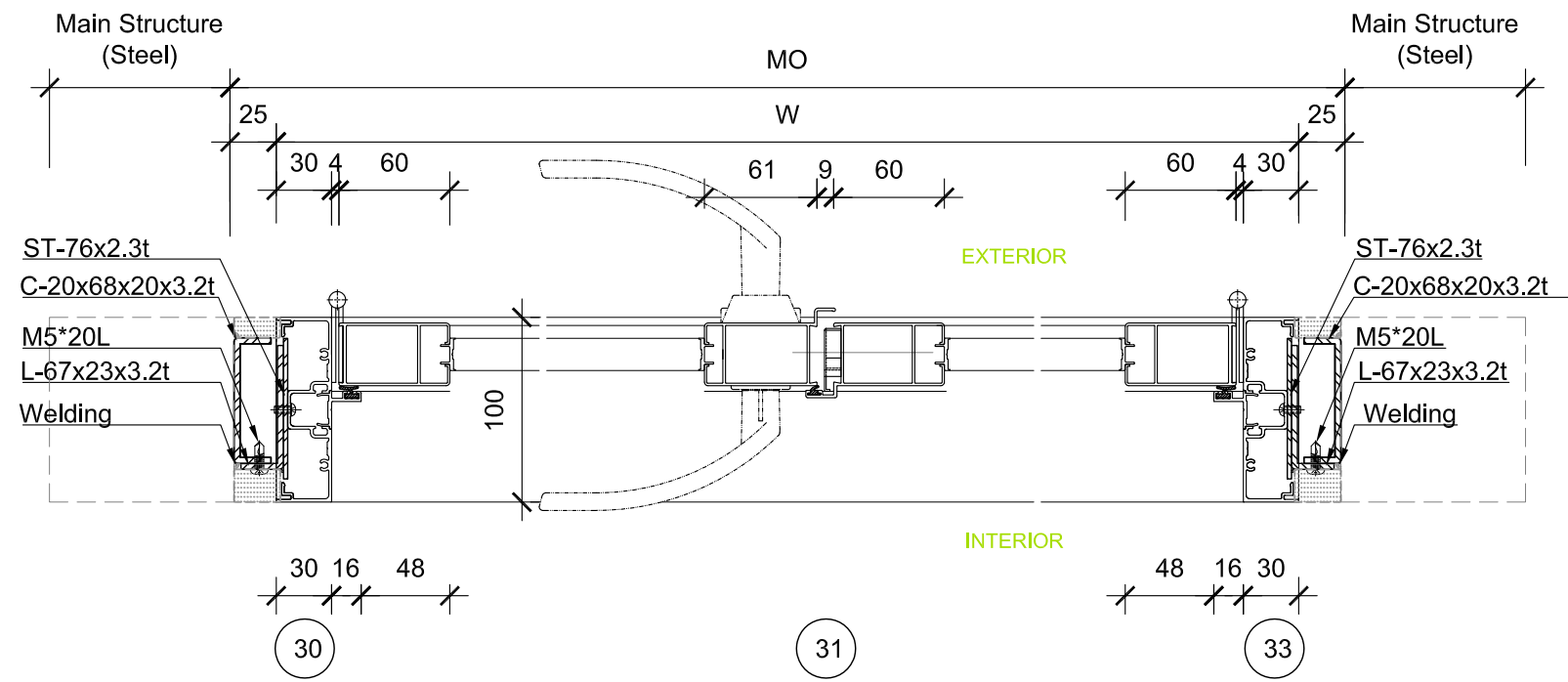
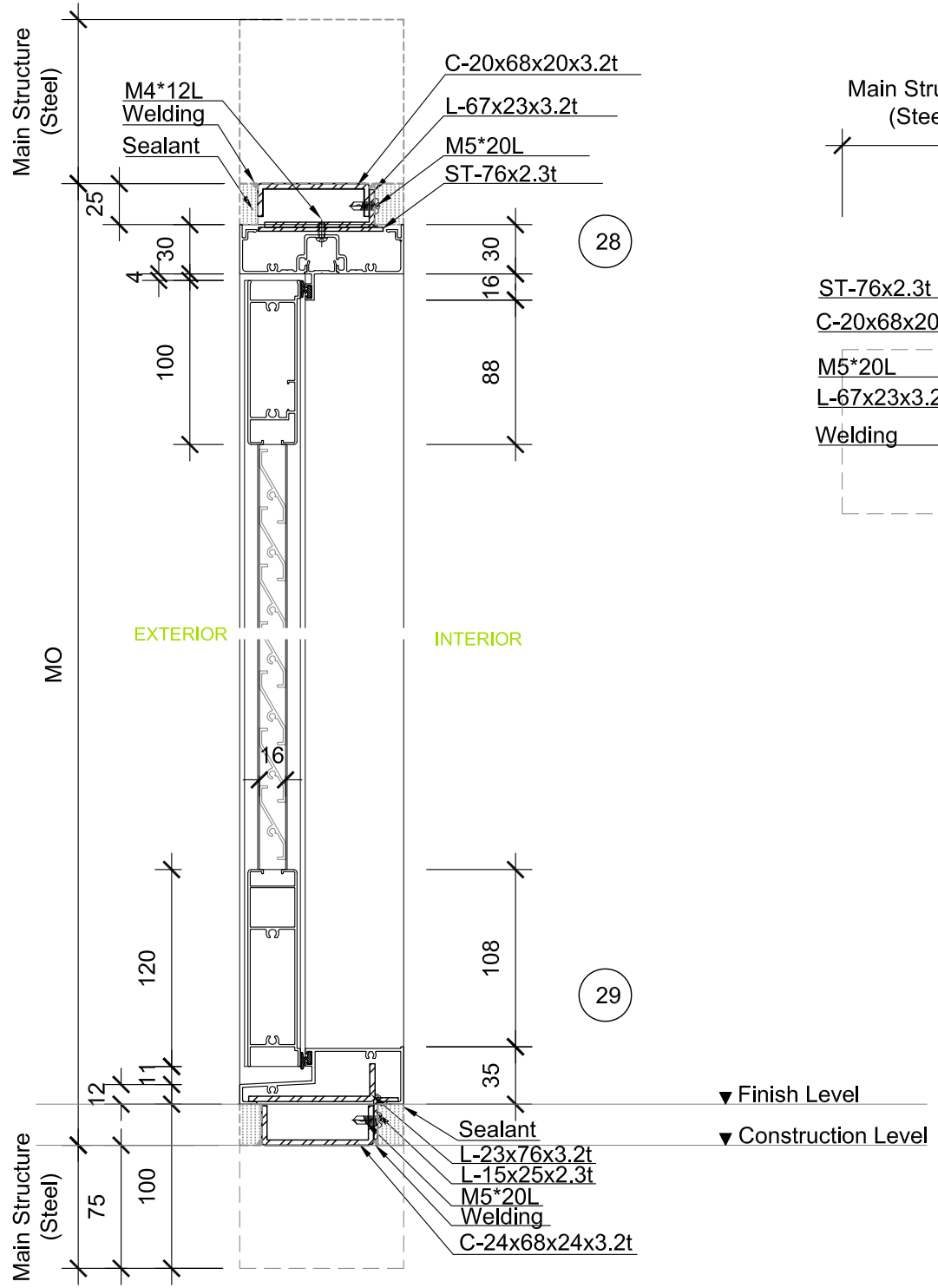
Drawn by	CF
Checked by	DN
Scale	1:50
Unit	mm

DWG. Title
DOOR SCHEDULE AND
DETAILS 1

DWG. No.
AR-311



Mark	Date	Description
DN	2013/04/01	SD Submission
DN	2013/07/01	DDc Submission
ST	2013/11/01	DD Submission



Project:



Institution:



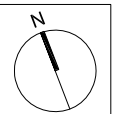
NCTU Architecture
國立交通大學建築研究所

Team Name: NCTU/UNICODE
Address: 1001 Ta-Hsueh Road
Hsinchu City 30010
Taiwan
Contact: www.sde.tw



Consultants:

Note:



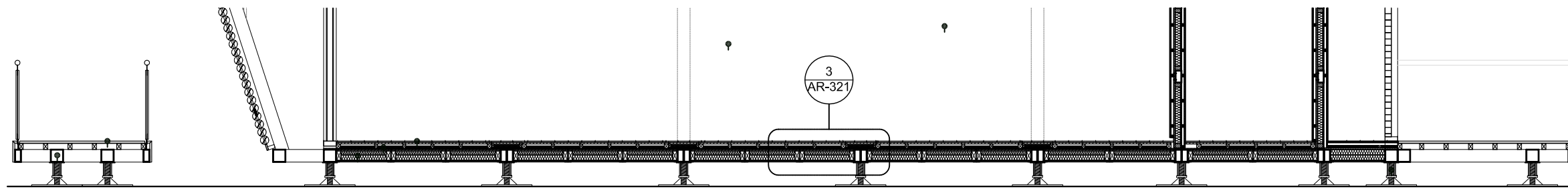
Mark	Date	Description
DN	2013/04/01	SD Submission
DN	2013/07/01	DDc Submission
ST	2013/11/01	DD Submission

Drawn by: CH
Checked by: DN
Scale: 1:10
Unit: mm

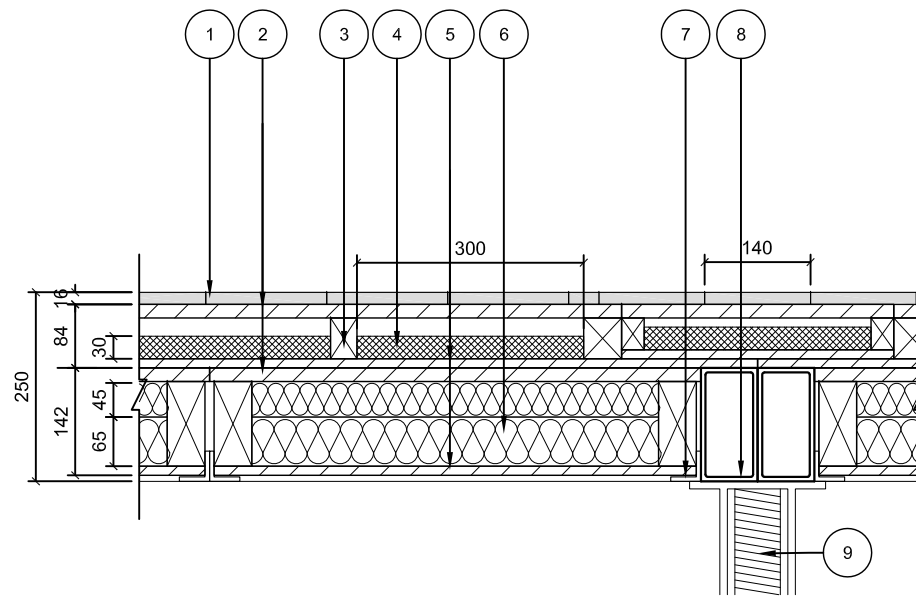
DWG. Title
**FLOOR CONSTRUCTION DETAILS
GROUND LEVEL**

DWG. No.

AR-321



1



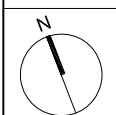
- ① Finished Flooring 16mm
- ② Plywood 18mm
- ③ Framing 60mm
- ④ Vacuum Insulation 30mm
- ⑤ Plywood 12mm
- ⑥ Glass foam 65mm+45mm
- ⑦ L shape steel
- ⑧ Beam -150x75 t=6mm
- ⑨ Footing

Thermal conductivity $R = 7.7 \text{ (m}^2\text{K/W)}$



4

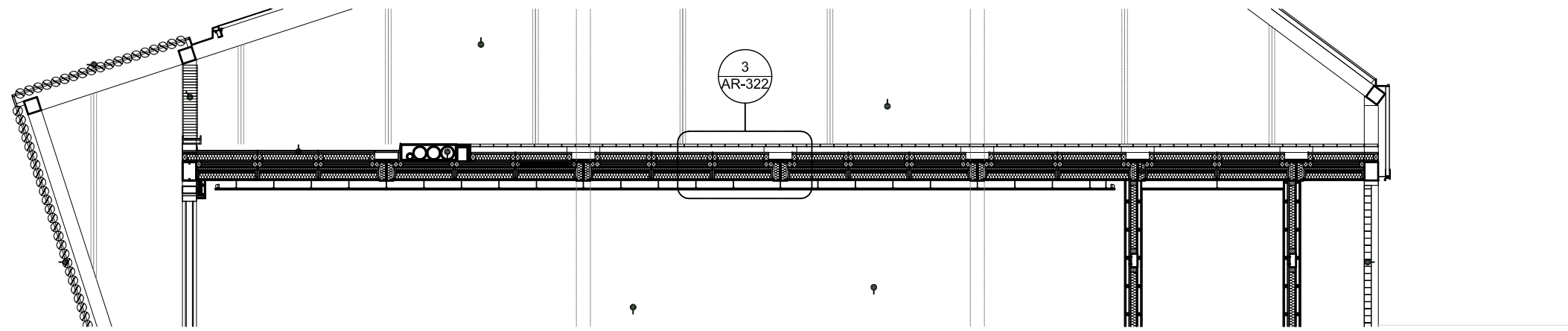
3



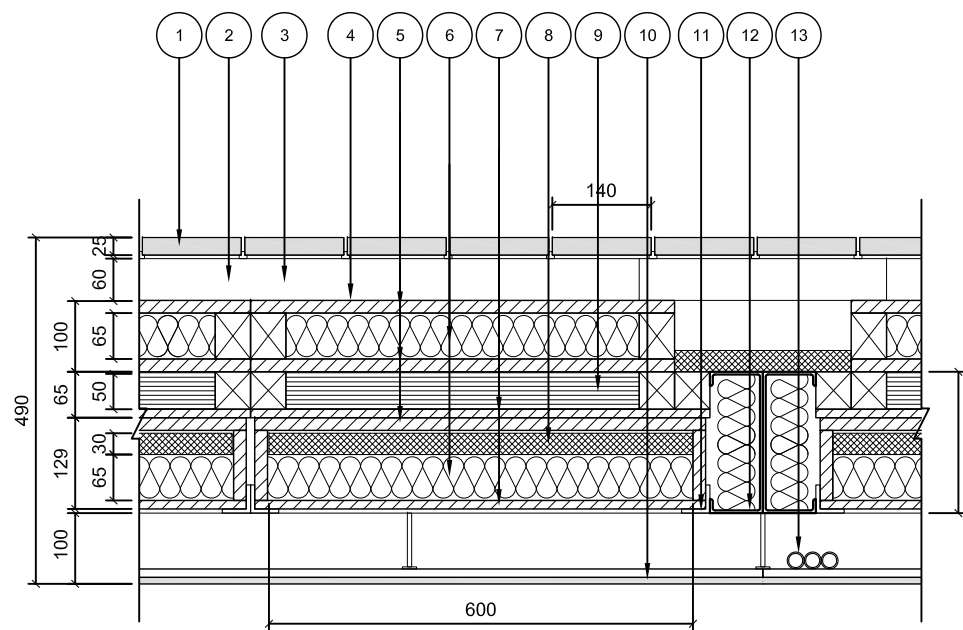
Mark	Date	Description
DN	2013/04/01	SD Submission
DN	2013/07/01	DDc Submission
ST	2013/11/01	DD Submission

Drawn by	CH
Checked by	DN
Scale	1:10
Unit	mm

DWG. Title
**FLOOR CONSTRUCTION
DETAILS
MEZZANINE LEVEL**



1



- 1 Wooden Flooring 25mm
- 2 Framing 60mm
- 3 Air gap 60mm
- 4 Water proving 2mm
- 5 Plywood 18mm
- 6 Glass foam 65mm
- 7 Plywood 12mm
- 8 Vacuum Insulation 30mm
- 9 E-foam 50mm
- 10 Ceiling 21mm
- 11 L shape steel
- 12 Girder C-200x75x20 t=4mm
- 13 Electricity tube $\Phi=24\text{mm}$

Thermal conductivity $R = 13.7 \text{ (m}^2\text{K/W)}$



3

4



Mark	Date	Description
DN	2013/04/01	SD Submission
DN	2013/07/01	DDc Submission
ST	2013/11/01	DD Submission

Drawn by: ST

Checked by: DN

Scale: 1:20

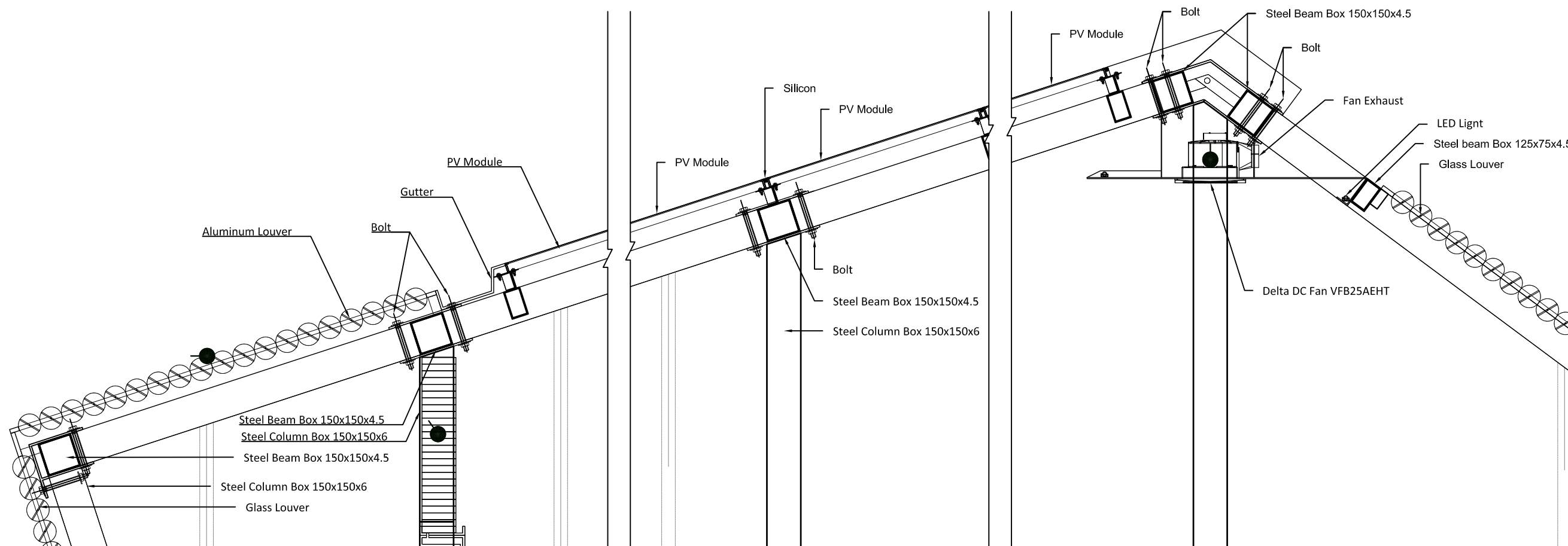
Unit: mm

DWG. Title

ROOF CONSTRUCTION DETAILS

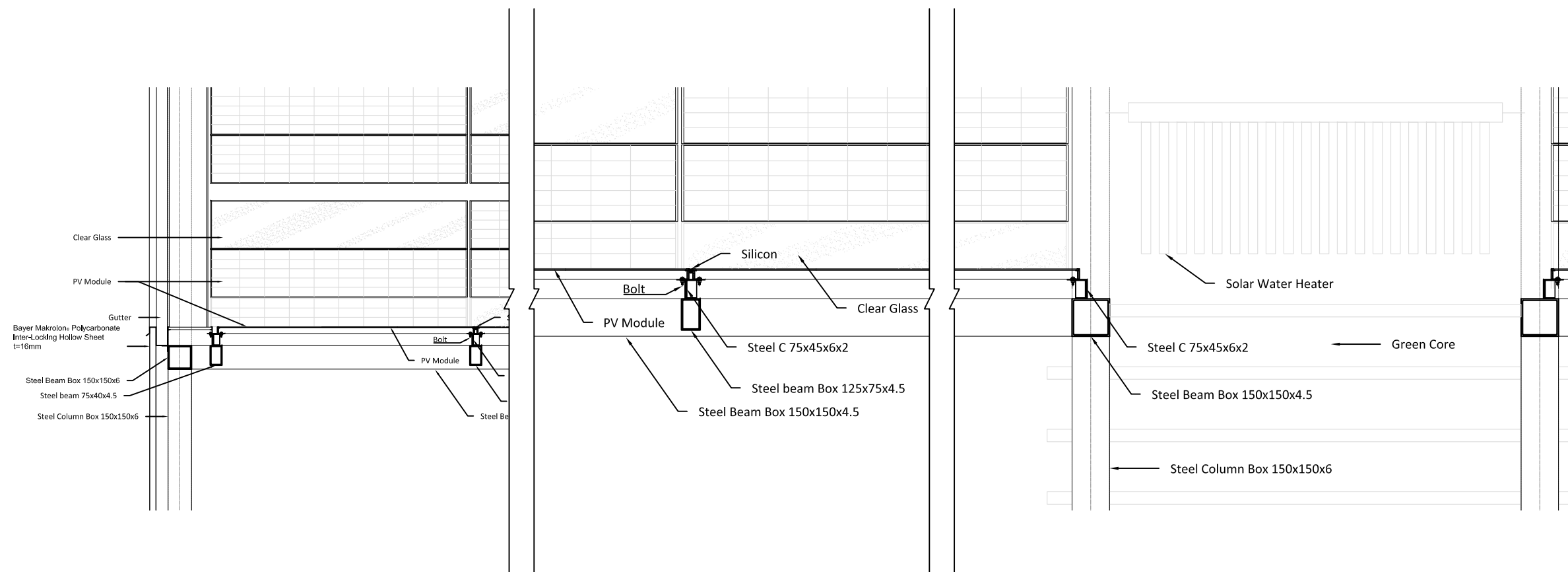
DWG. No.

AR-331



0 0.2 0.4 1 METER

1



0 0.2 0.4 1 METER

2



Mark	Date	Description
DN	2013/04/01	SD Submission
DN	2013/07/01	DDc Submission
ST	2013/11/01	DD Submission

Drawn by CH

Checked by DN

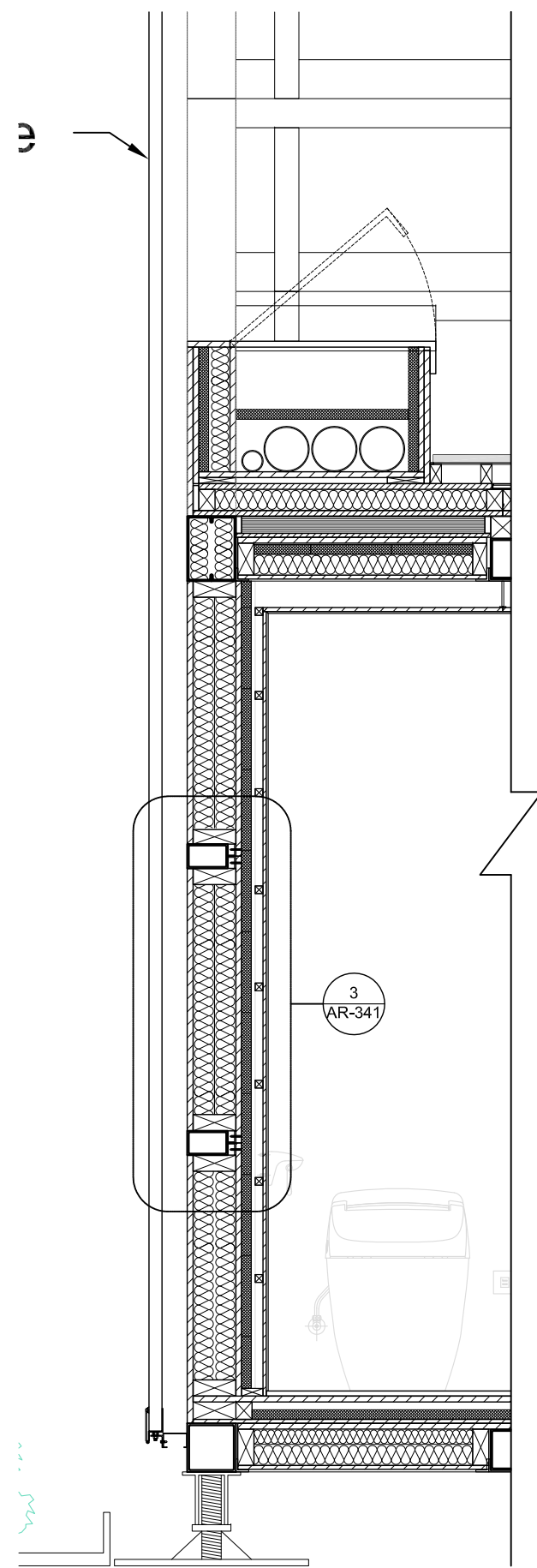
Scale 1:10

Unit mm

DWG. Title
WALL SECTION AND CONSTRUCTION DETAILS
1

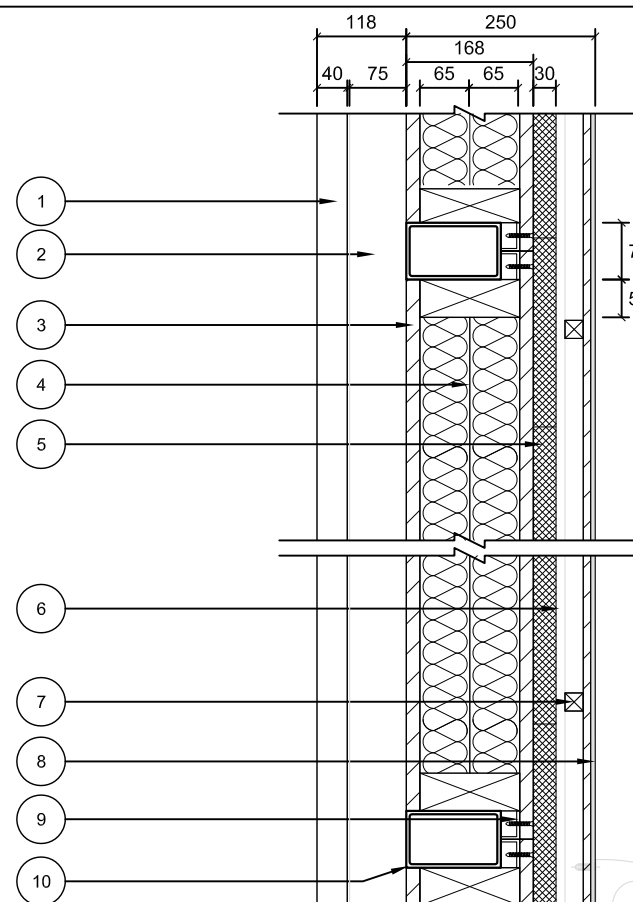
DWG. No.

AR-341



0 0.2 0.4 1 METER

1



Thermal conductivity R = 13.5 (m²K/W)

- 1 Bayer Makrolon® Polycarbonate Inter-locking Hollow Sheet t=40mm
- 2 Inter-locking Sheet supporting 75mm
- 3 Plywood 18mm
- 4 Glass foam 65mm *2
- 5 Vacuum Insulation 30mm
- 6 Framing 42mm
- 7 Framing 24mm
- 8 Finished wall 16mm
- 9 L shape steel
- 10 Sub-beam -125x75 t=4.5mm

0 0.1 0.2 0.5 METER

3

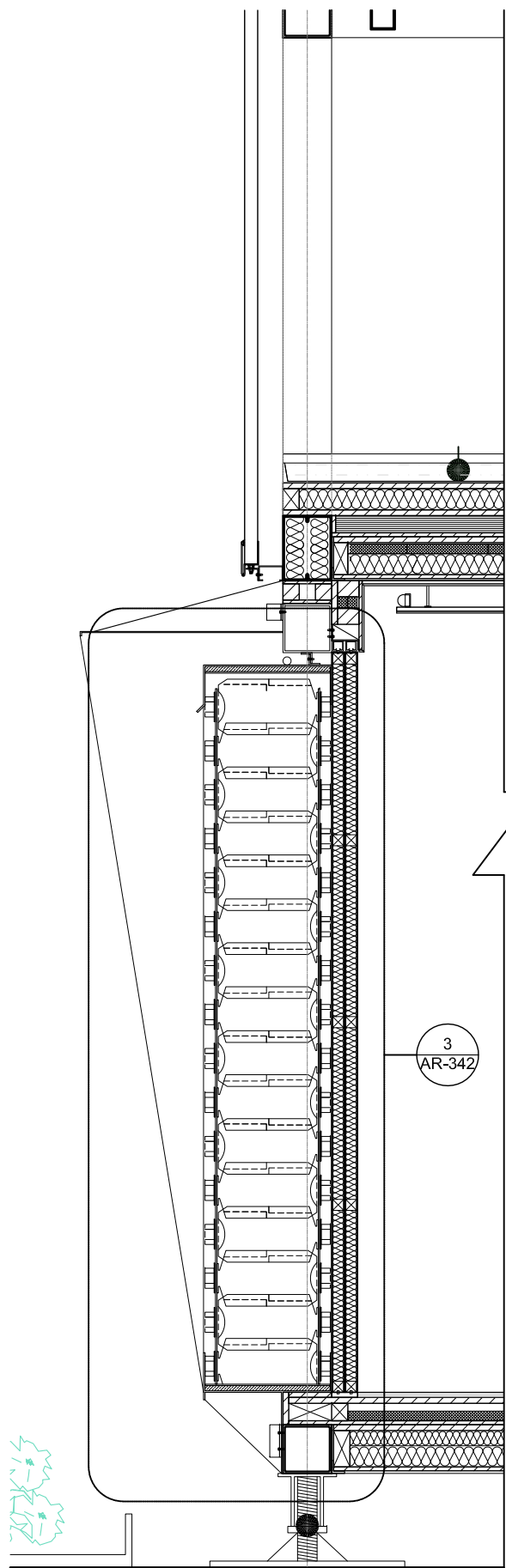


Mark	Date	Description
DN	2013/04/01	SD Submission
DN	2013/07/01	DDc Submission
ST	2013/11/01	DD Submission

Drawn by	CH
Checked by	DN
Scale	1:10
Unit	mm

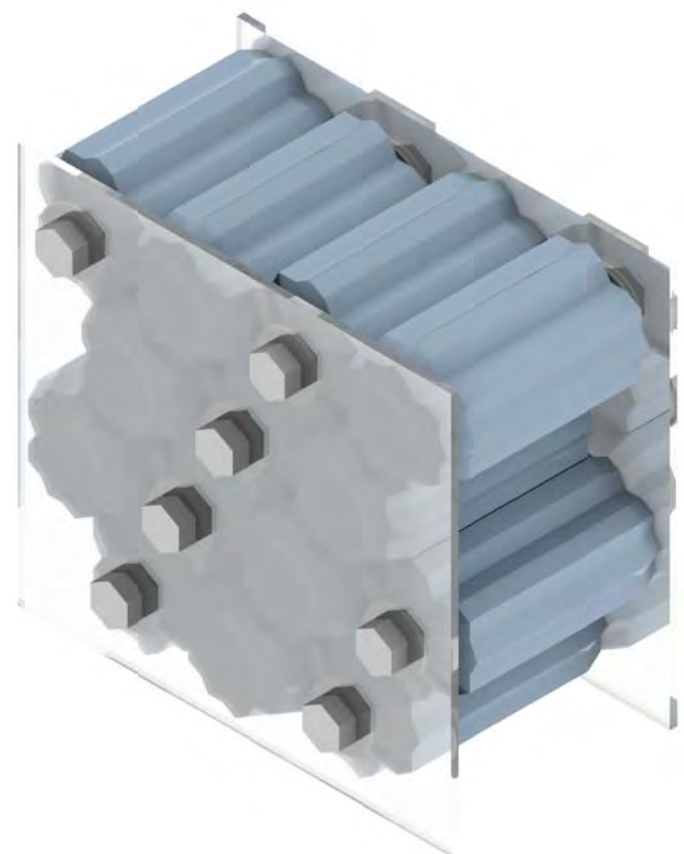
DWG. Title
WALL SECTION AND CONSTRUCTION DETAILS
2

DWG. No.
AR-342

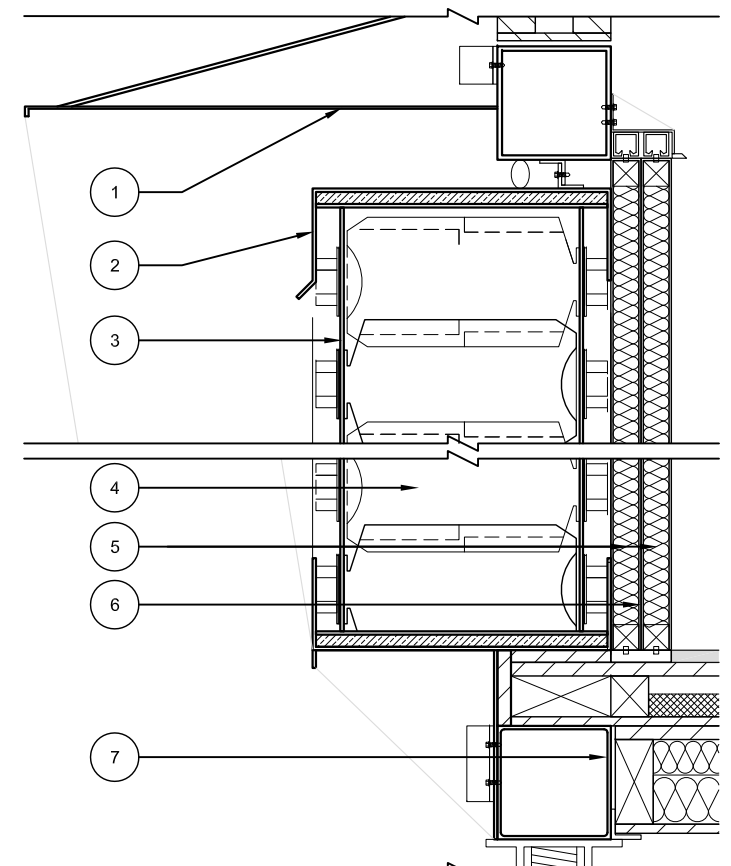


0 0.2 0.4 1 METER

1



2



Thermal conductivity R = 2.7 (m²K/W)

- 1 Canopy
- 2 POLLI-Bricks™ supporting
- 3 Acrylic 4.5mm
- 4 POLLI-Bricks™ 312mm (Thermal mass)
- 5 E-foam insulation 35mm
- 6 Sliding door 40mm
- 7 Beam -150x150 t=6mm

0 0.1 0.2 0.5 METER

3



Mark	Date	Description
DN	2013/04/01	SD Submission
DN	2013/07/01	DDc Submission
ST	2013/11/01	DD Submission

Drawn by CH

Checked by DN

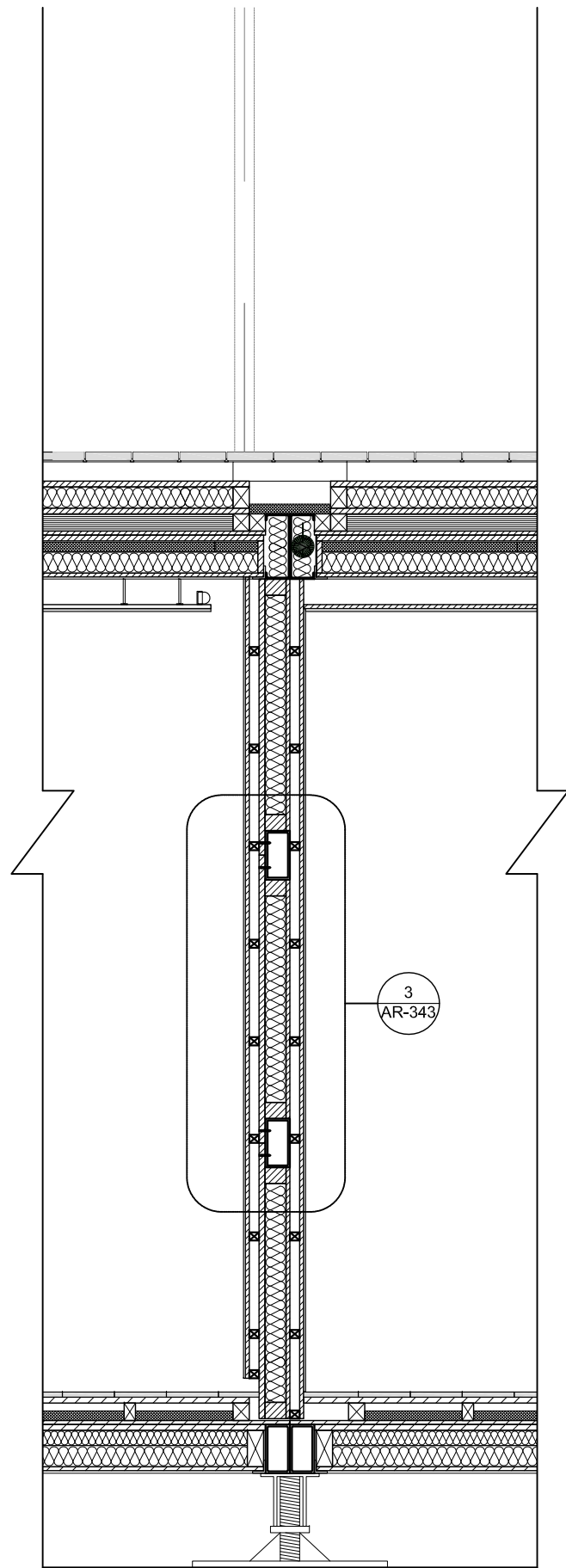
Scale 1:10

Unit mm

DWG. Title
WALL SECTION AND CONSTRUCTION DETAILS
3

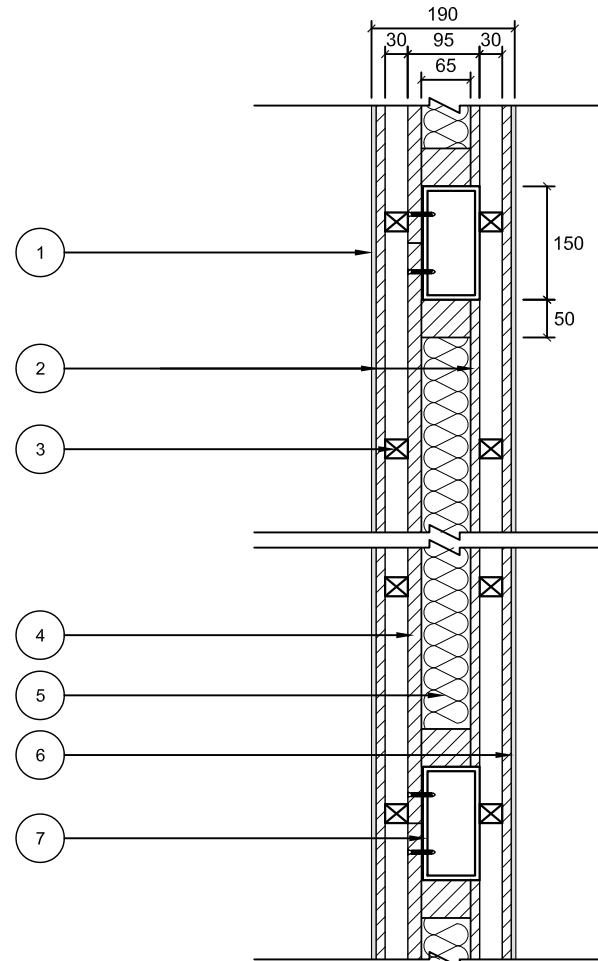
DWG. No.

AR-343



0 0.2 0.4 1 METER

1



- ① Calcium silicate board 6mm
- ② Plywood 12mm
- ③ Framing 30mm
- ④ Plywood 18mm
- ⑤ Glass foam 65mm
- ⑥ Finished wall 16mm
- ⑦ Sub-beam -150x75 t=6mm

0 0.1 0.2 0.5 METER

3

2

Project:



Institution:



NCTU Architecture
國立交通大學建築研究所

Team Name: NCTU/UNICODE

Address: 1001 Ta-Hsueh Road
Hsinchu City 30010
Taiwan

Contact: www.sde.tw



Consultants:

Note:

Mark	Date	Description
DN	2013/04/01	SD Submission
DN	2013/07/01	DDc Submission
ST	2013/11/01	DD Submission

Drawn by CH

Checked by DN

Scale 1:10

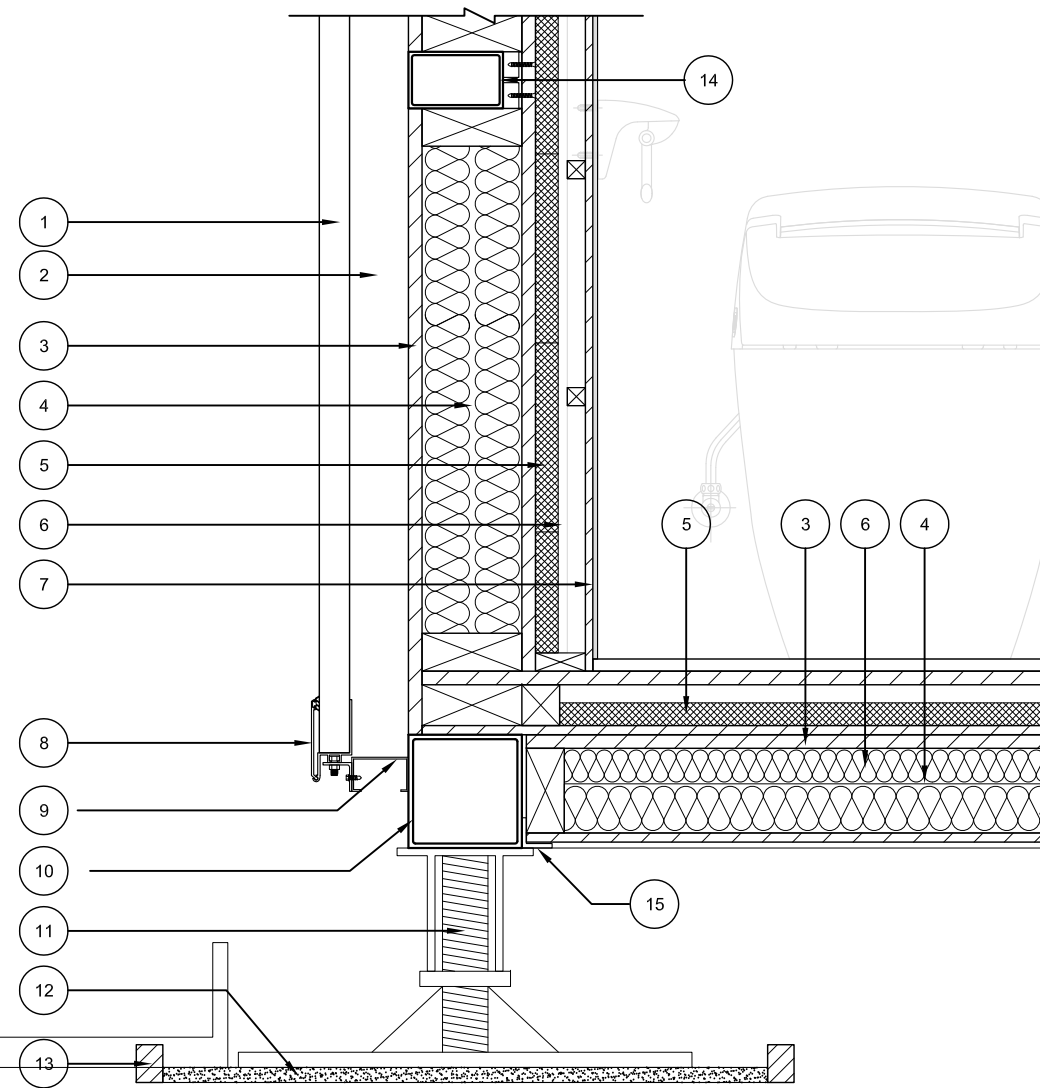
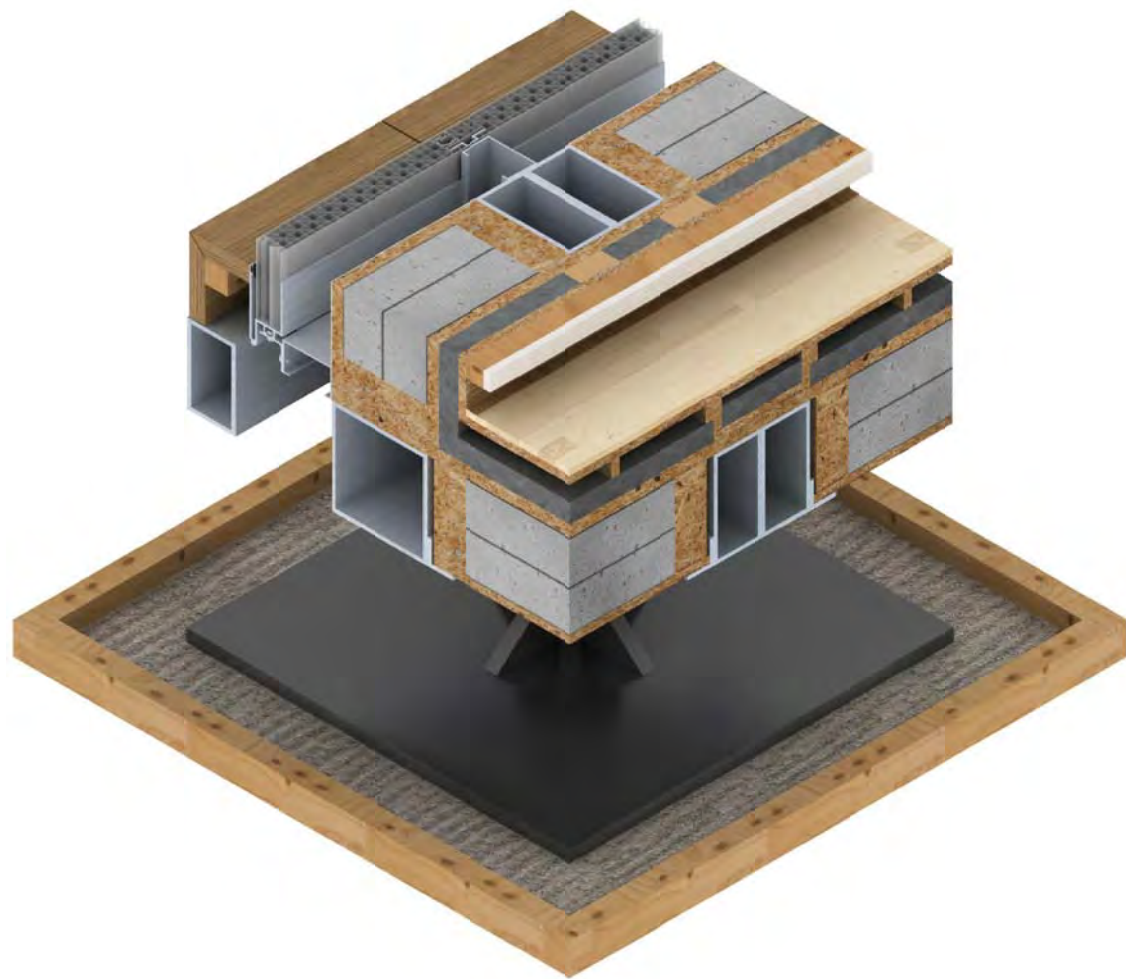
Unit mm

DWG. Title

JOINT DETAIL

DWG. No.

AR-351



- 1 Bayer Makrolon® Polycarbonate Inter-locking Hollow Sheet t=40mm
- 2 Inter-locking Sheet supporting 75mm
- 3 Plywood 18mm
- 4 Glass foam 65mm *2
- 5 Vacuum Insulation 30mm
- 6 Framing 42mm
- 7 Finished wall 16mm
- 8 Aluminum profile
- 9 C -75x45x10 t=2.3mm
- 10 Beam -150x150 t=6mm
- 11 Footing
- 12 Sand box
- 13 Wood frame
- 14 Sub-beam -125x75 t=6mm
- 15 L shape steel

0 0.1 0.2 0.5 METER

Project:



Institution:



NCTU Architecture
國立交通大學建築研究所

Team Name: NCTU/UNICODE
Address: 1001 Ta-Hsueh Road
Hsinchu City 30010
Taiwan
Contact: www.sde.tw



Consultants:

Note:

Mark	Date	Description
DN	2013/04/01	SD Submission
DN	2013/07/01	DDc Submission
ST	2013/11/01	DD Submission

Drawn by CH

Checked by DN

Scale 1:10

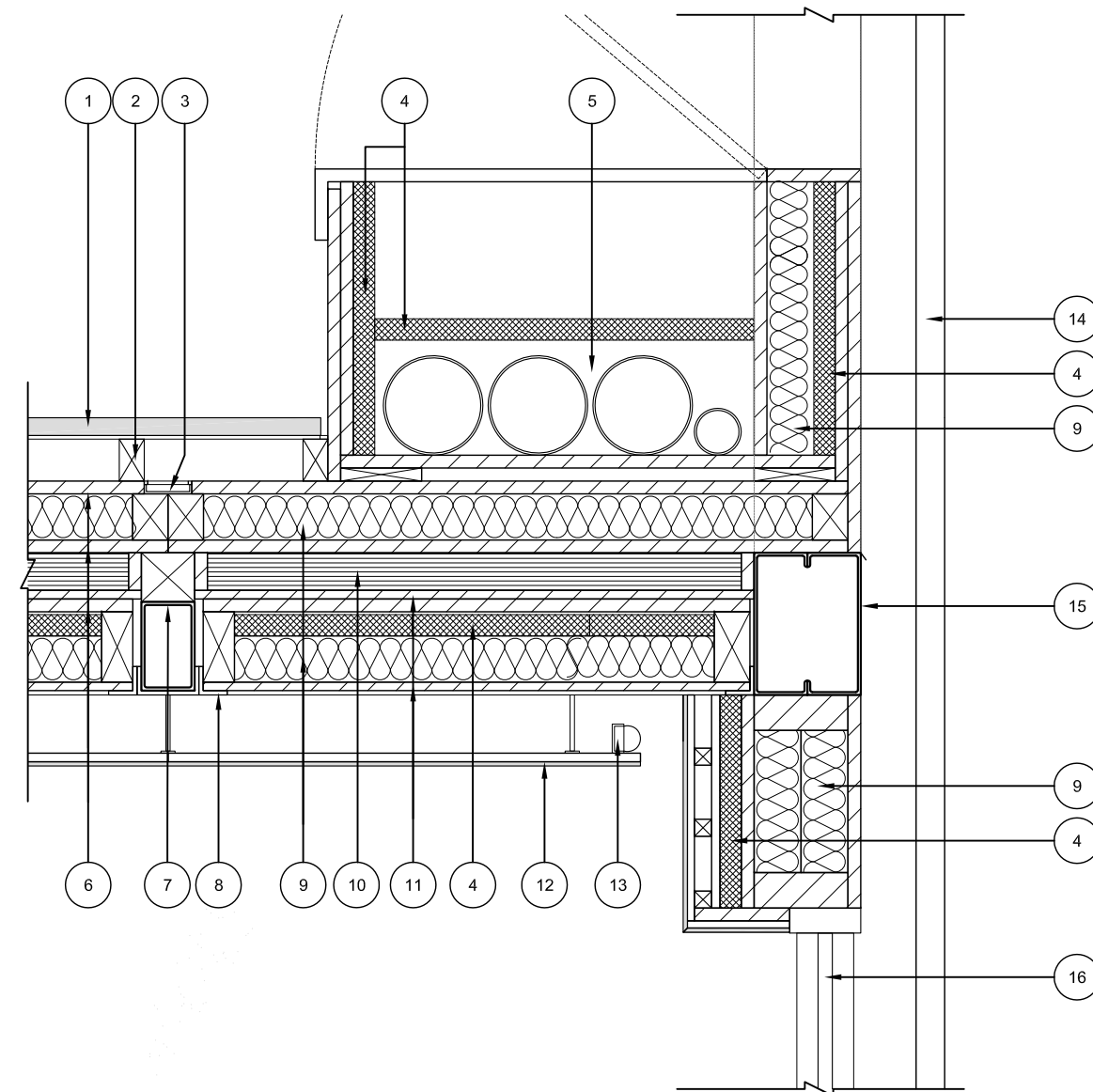
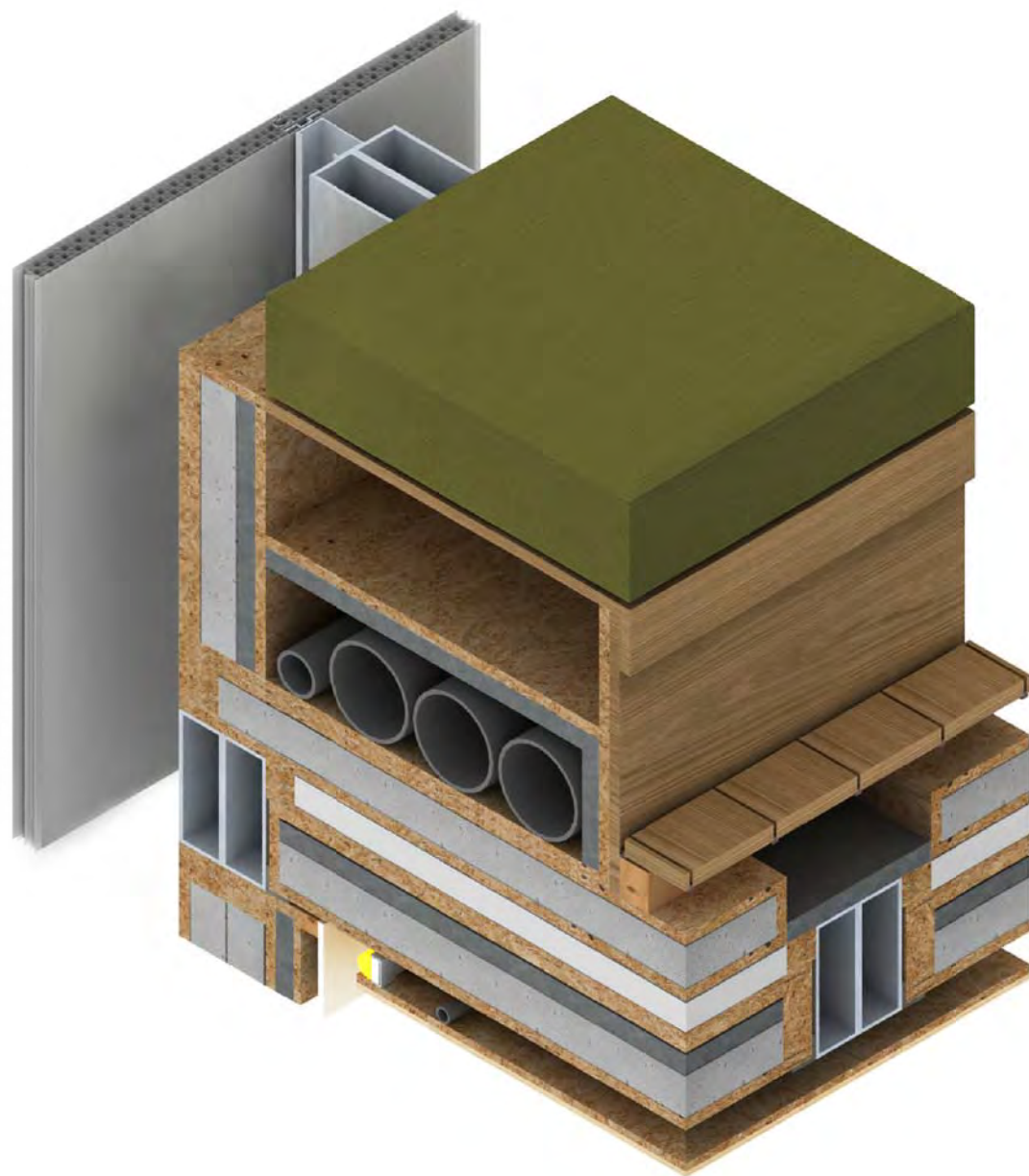
Unit mm

DWG. Title

JOINT DETAIL

DWG. No.

AR-352



- 1 Bayer Makrolon® Polycarbonate Inter-locking Hollow Sheet t=40mm
- 2 Framing 60mm
- 3 Gutter
- 4 Vacuum Insulation 30mm
- 5 Duct
- 6 Plywood 18mm
- 7 Sub-beam -125x75 t=4.5mm
- 8 L shape steel
- 9 Glass foam 65mm
- 10 E-foam 50mm
- 11 Plywood 12mm
- 12 Ceiling 21mm
- 13 Lighting
- 14 Bayer Makrolon® Polycarbonate Inter-locking Hollow Sheet t=40mm
- 15 Beam C-200x75x20 t=4mm
- 16 Bayer Makrolon® Polycarbonate Hollow Sheet t=16mm

0 0.1 0.2 0.5 METER

Project:



Institution:



NCTU Architecture
國立交通大學建築研究所

Team Name: NCTU/UNICODE
Address: 1001 Ta-Hsueh Road
Hsinchu City 30010
Taiwan
Contact: www.sde.tw



Consultants:

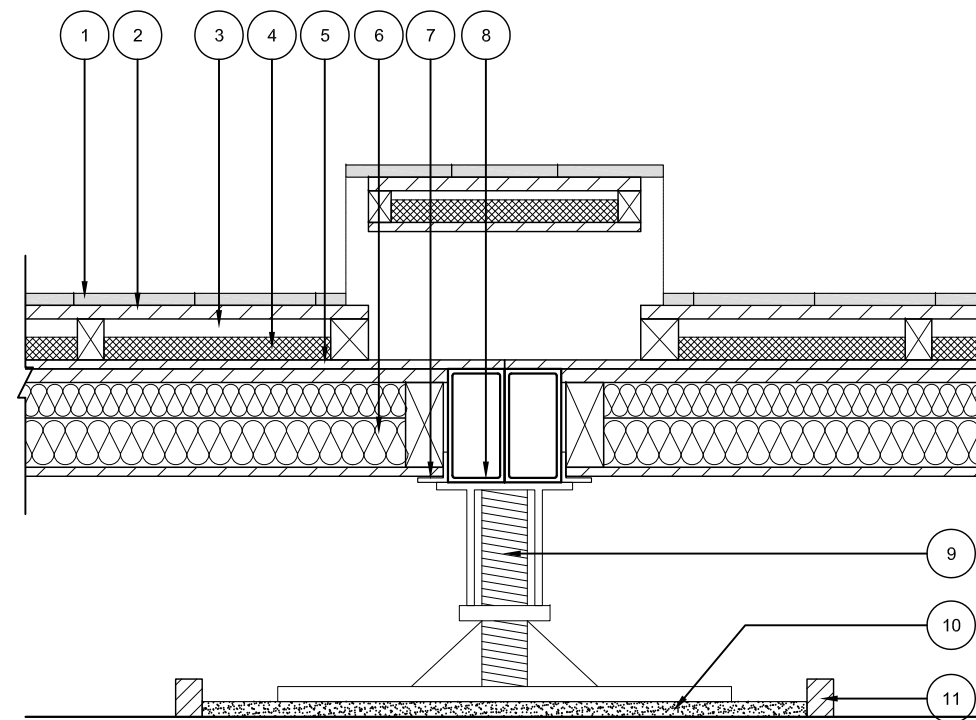
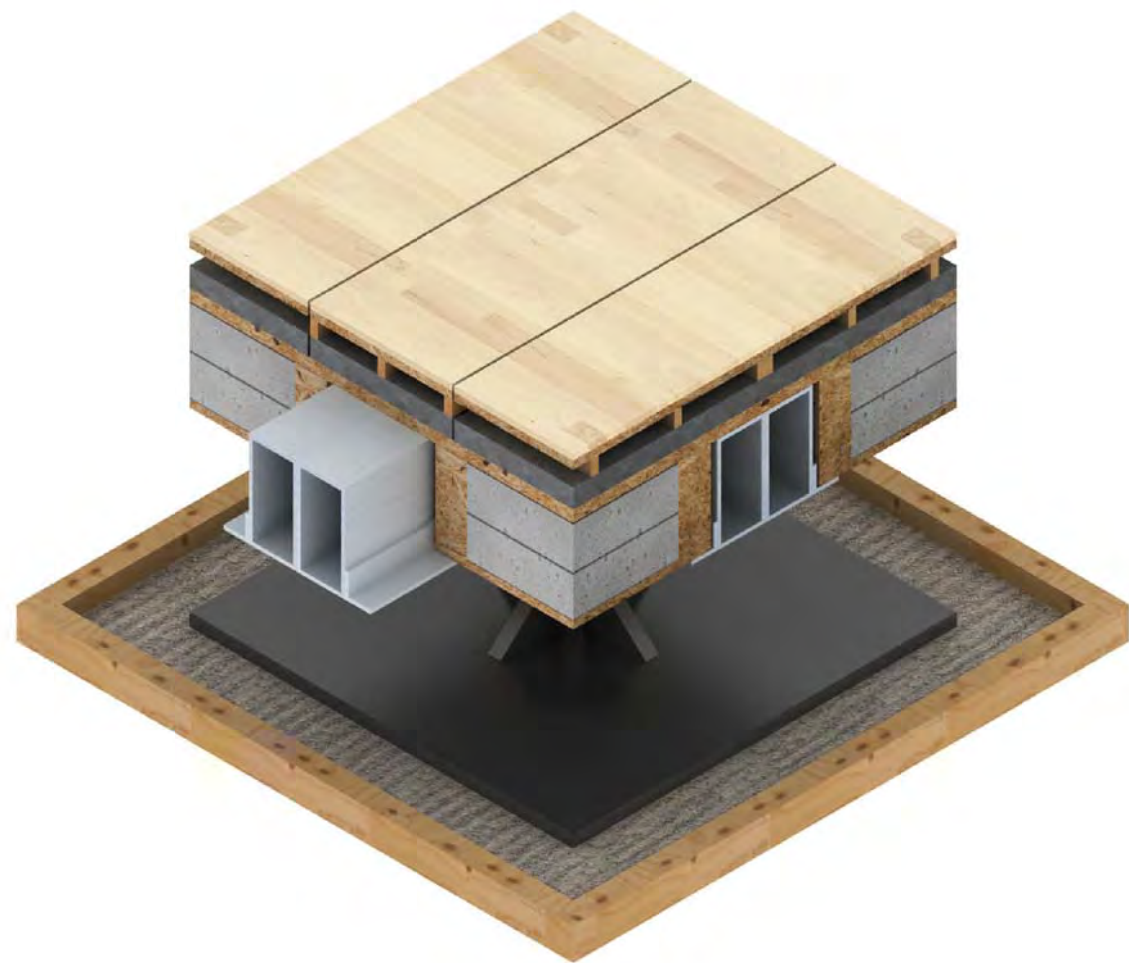
Note:

Mark	Date	Description
DN	2013/04/01	SD Submission
DN	2013/07/01	DDc Submission
ST	2013/11/01	DD Submission

Drawn by CH
Checked by YW
Scale DN
Unit 1:10

DWG. Title
JOINT DETAIL

DWG. No.
AR-353



- 1 Finished Flooring 16mm
- 2 Plywood 18mm
- 3 Framing 60mm
- 4 Vacuum Insulation 30mm
- 5 Plywood 12mm
- 6 Glass foam 65mm+45mm
- 7 L shape steel
- 8 Beam -150x75 t=6mm
- 9 Footing
- 10 Sand box
- 11 Wood frame



Project:



Institution:



NCTU Architecture
國立交通大學建築研究所

Team Name: NCTU/UNICODE
Address: 1001 Ta-Hsueh Road
Hsinchu City 30010
Taiwan
Contact: www.sde.tw



Consultants:

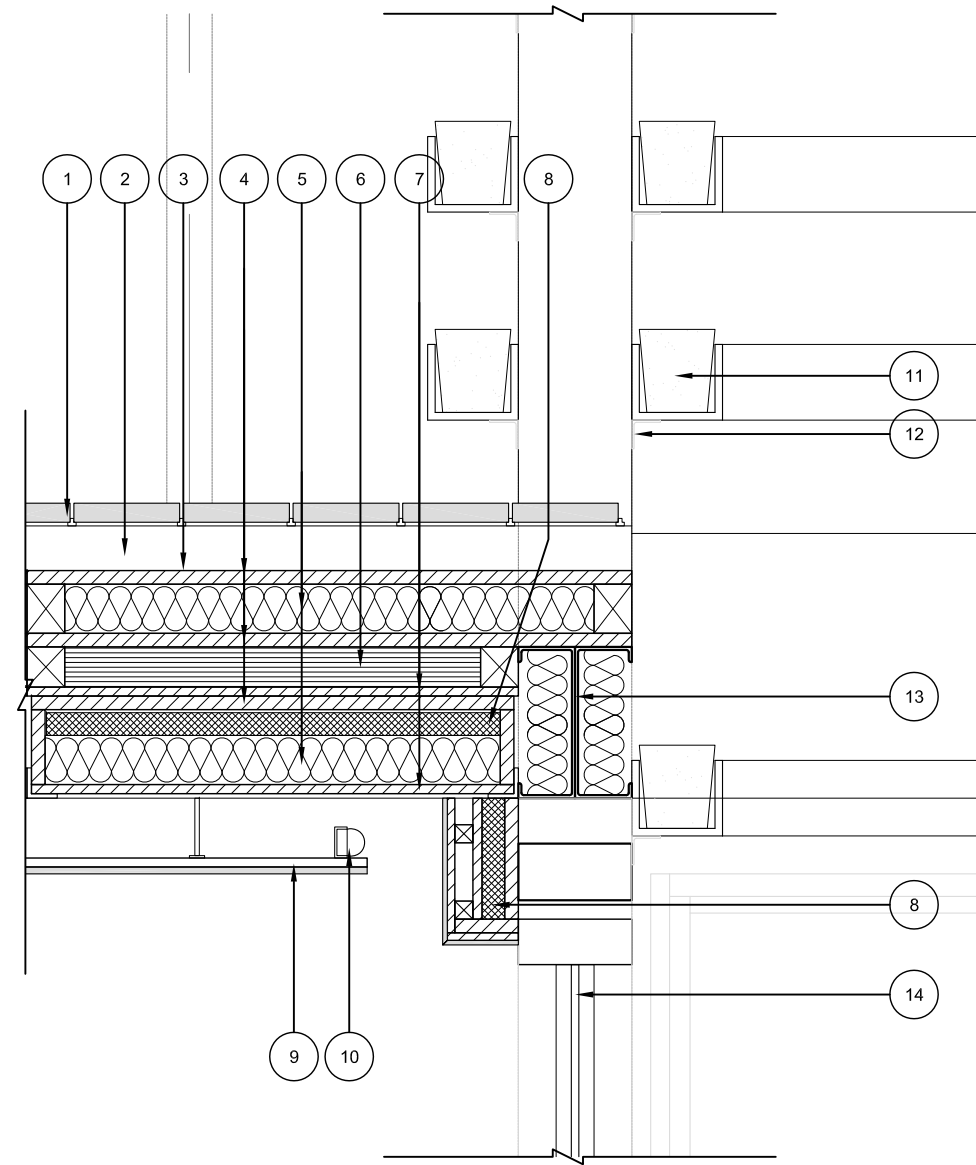
Note:

Mark	Date	Description
DN	2013/04/01	SD Submission
DN	2013/07/01	DDc Submission
ST	2013/11/01	DD Submission

Drawn by: CH
Checked by: YW
Scale: DN
Unit: 1:10

DWG. Title: JOINT DETAIL

DWG. No.: AR-354



- 1 Wooden Flooring 25mm
- 2 Framing 60mm / Air gap 60mm
- 3 Water proofing 2mm
- 4 Plywood 18mm
- 5 Glass foam 65mm
- 6 E-foam 50mm
- 7 Plywood 12mm
- 8 Vacuum Insulation 30mm
- 9 Ceiling 21mm
- 10 Lighting
- 11 Plant pot
- 12 L shape steel
- 13 Beam C-200x75x20 t=4mm
- 14 Bayer Makrolon® Polycarbonate Hollow Sheet t=16mm

0 0.1 0.2 0.5 METER

Project:



Institution:



NCTU Architecture
國立交通大學建築研究所

Team Name:

NCTU/UNICODE

Address:

1001 Ta-Hsueh Road
Hsinchu City 30010
Taiwan

Contact:

www.sde.tw



Consultants:

Note:

Mark	Date	Description
DN	2013/04/01	SD Submission
DN	2013/07/01	DDc Submission
ST	2013/11/01	DD Submission

Drawn by

CF

Checked by

DN

Scale

1:40

Unit

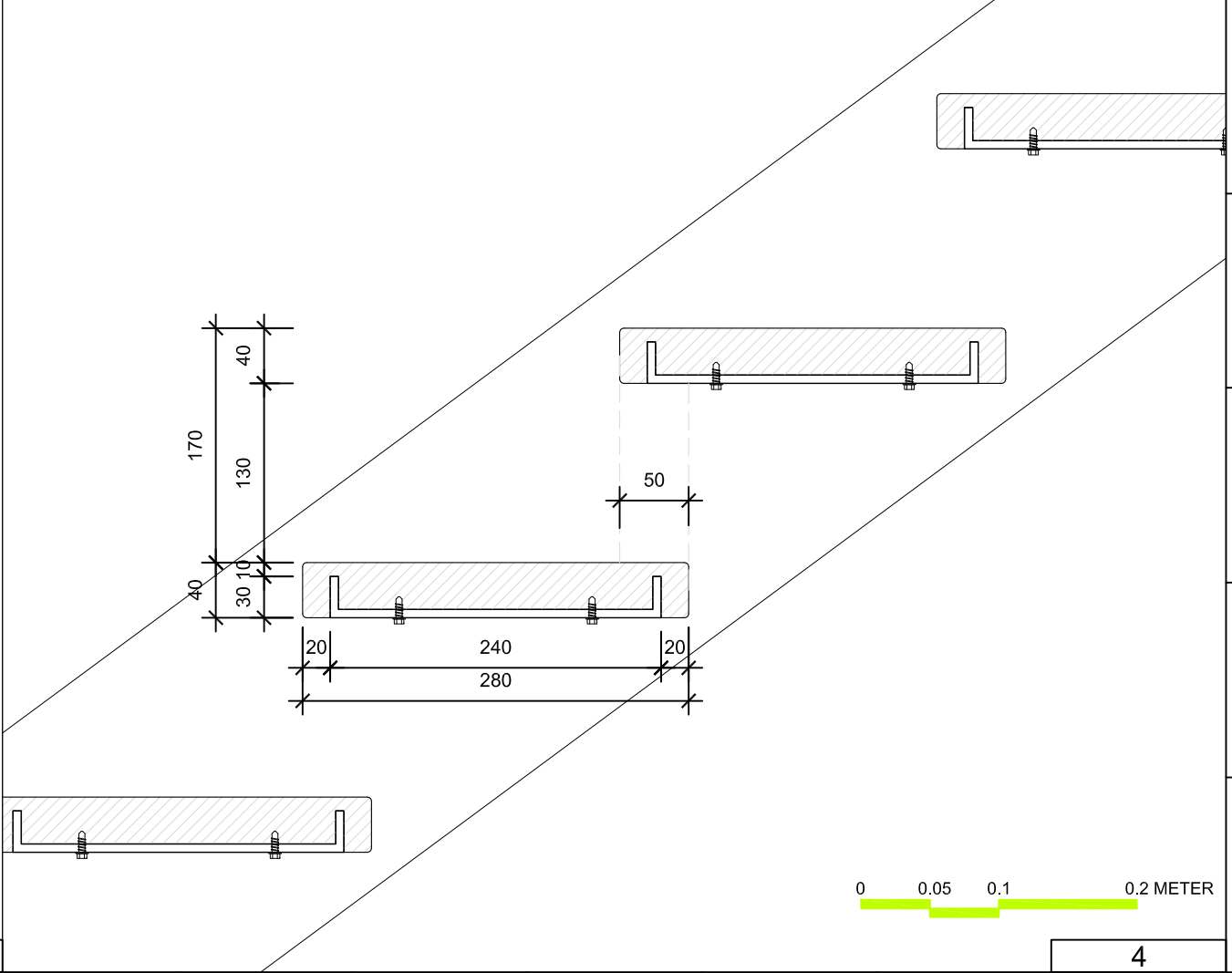
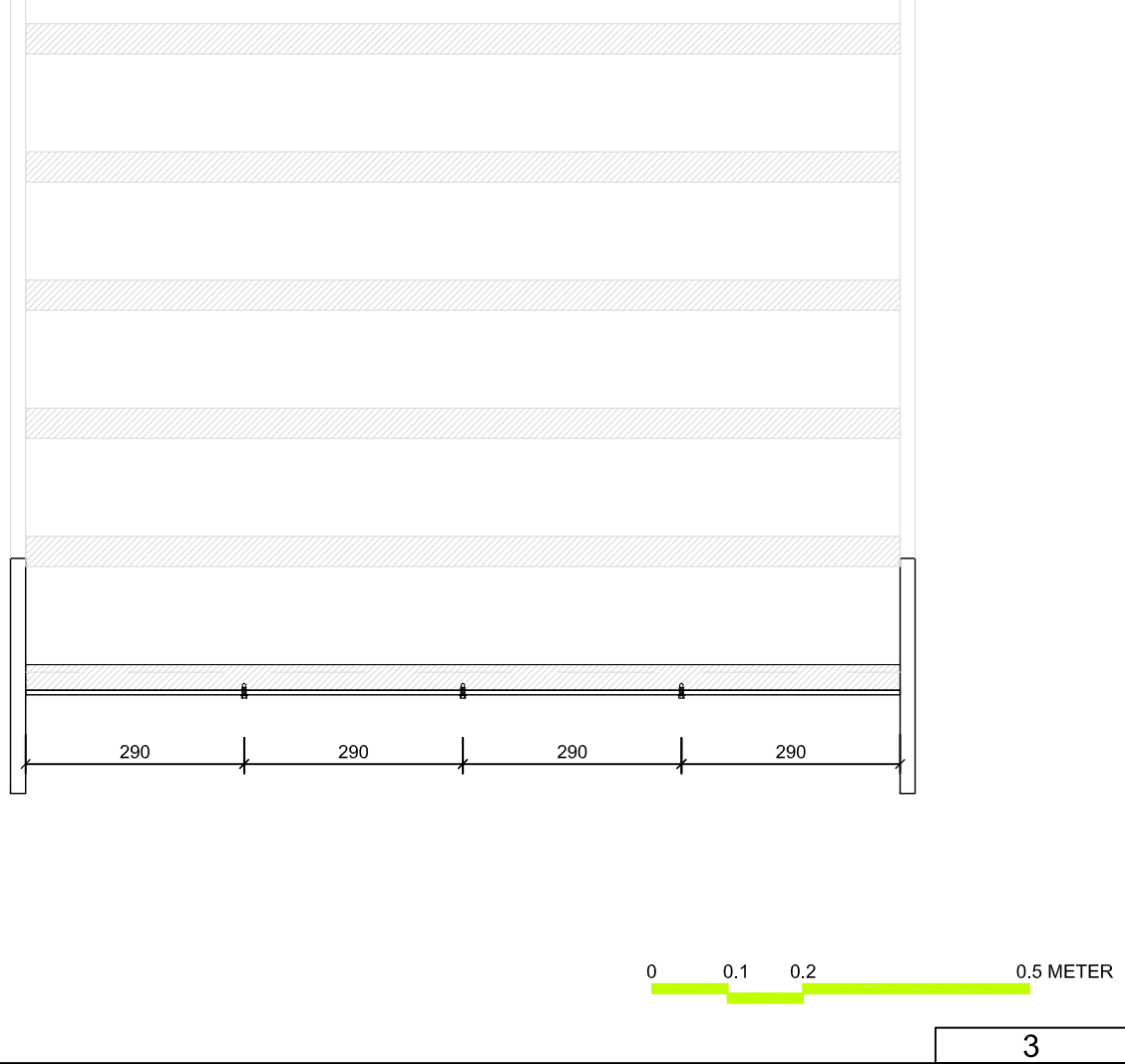
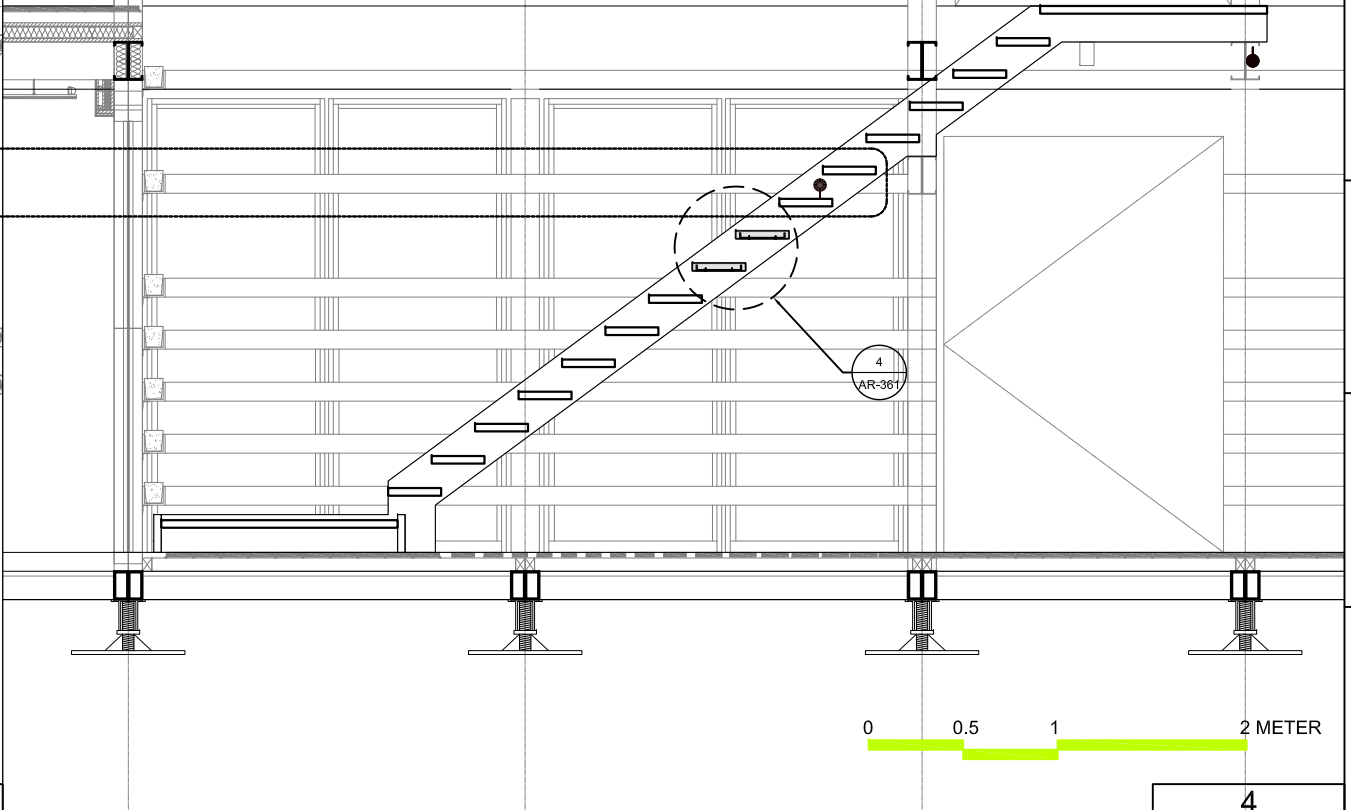
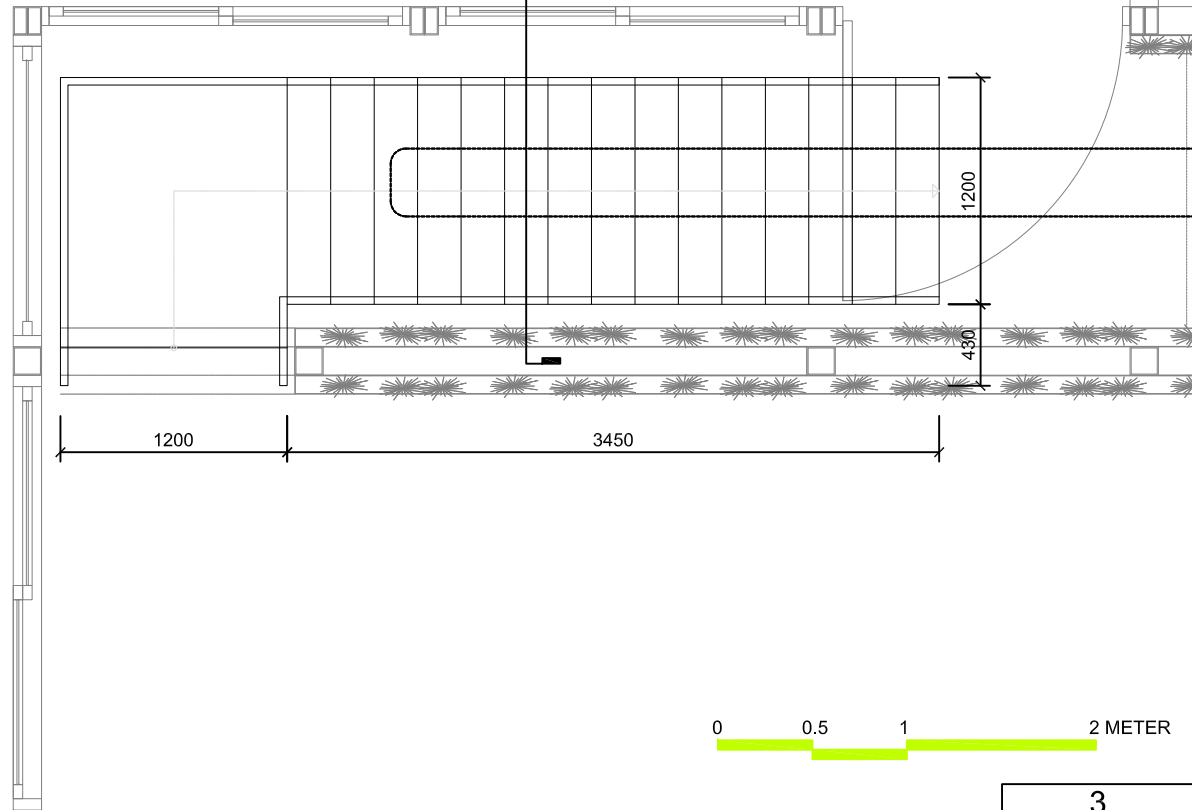
mm

DWG. Title

STAIR DETAIL

DWG. No.

AR-361





Mark	Date	Description
DN	2013/04/01	SD Submission
DN	2013/07/01	DDc Submission
ST	2013/11/01	DD Submission

Drawn by	CH
Checked by	DN
Scale	N/A
Unit	N/A

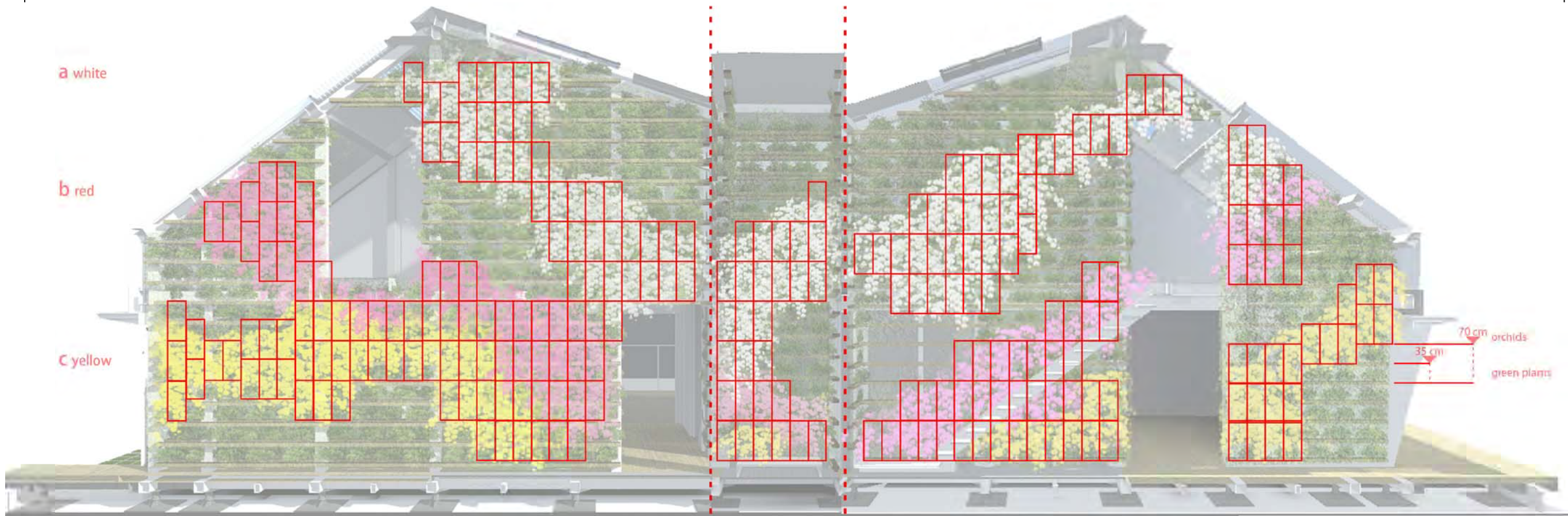
DWG. Title	GRENCORE DETAILS
------------	------------------

DWG. No.	AR-362
----------	--------

a white

b red

c yellow



orchids 200 pots **green plants 1500 pots**

Green plants item
high 30cm
growing temperature 25°C
benefit for people

Paris temperature

June
24°C-10°C

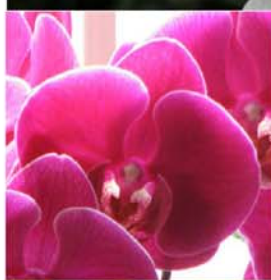
July
30°C-15°C

Orchids item



temperature : 33°C-25°C
sunlighting : 14-15hr

230 pots



temperature : 28°C-24°C
sunlighting : 10-11hr

150 pots



temperature : 25°C/21°C
sunlighting : 11-12hr

120 pots



Snake plant
temperature : 30°C-20°C



Centipede Tongavine
temperature : 28°C-15°C



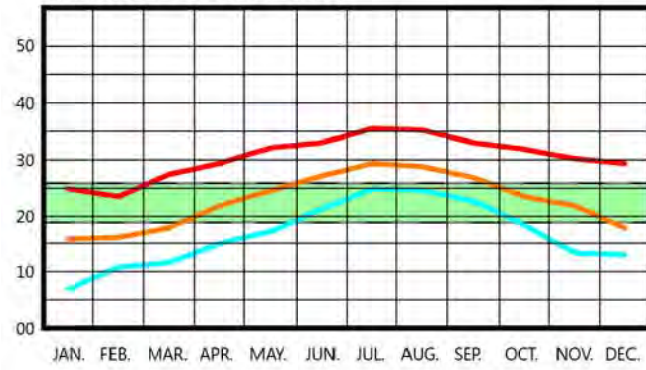
African Asparagus
temperature : 25°C-20°C



Tufted Bracketplant
temperature : 25°C-15°C

TEMPERATURE (°C)

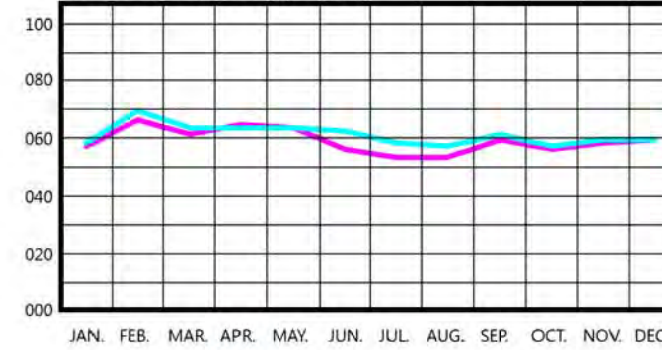
LOCATION: TAIPEI, TWN



- RANGE OF OUTDOOR TEMPERATURE FOR COMFORTABLE INDOOR TEMPERATURE
- MAXIMUM TEMPERATURE
- AVERAGE TEMPERATURE
- MINIMUM TEMPERATURE

HUMIDITY (%)

LOCATION: TAIPEI, TWN



- RELATIVE HUMIDITY (09:00AM)
- RELATIVE HUMIDITY (03:00PM)

DEGREE HOURS

(HEATING, COOLING AND SOLAR)

LOCATION: TAIPEI, TWN

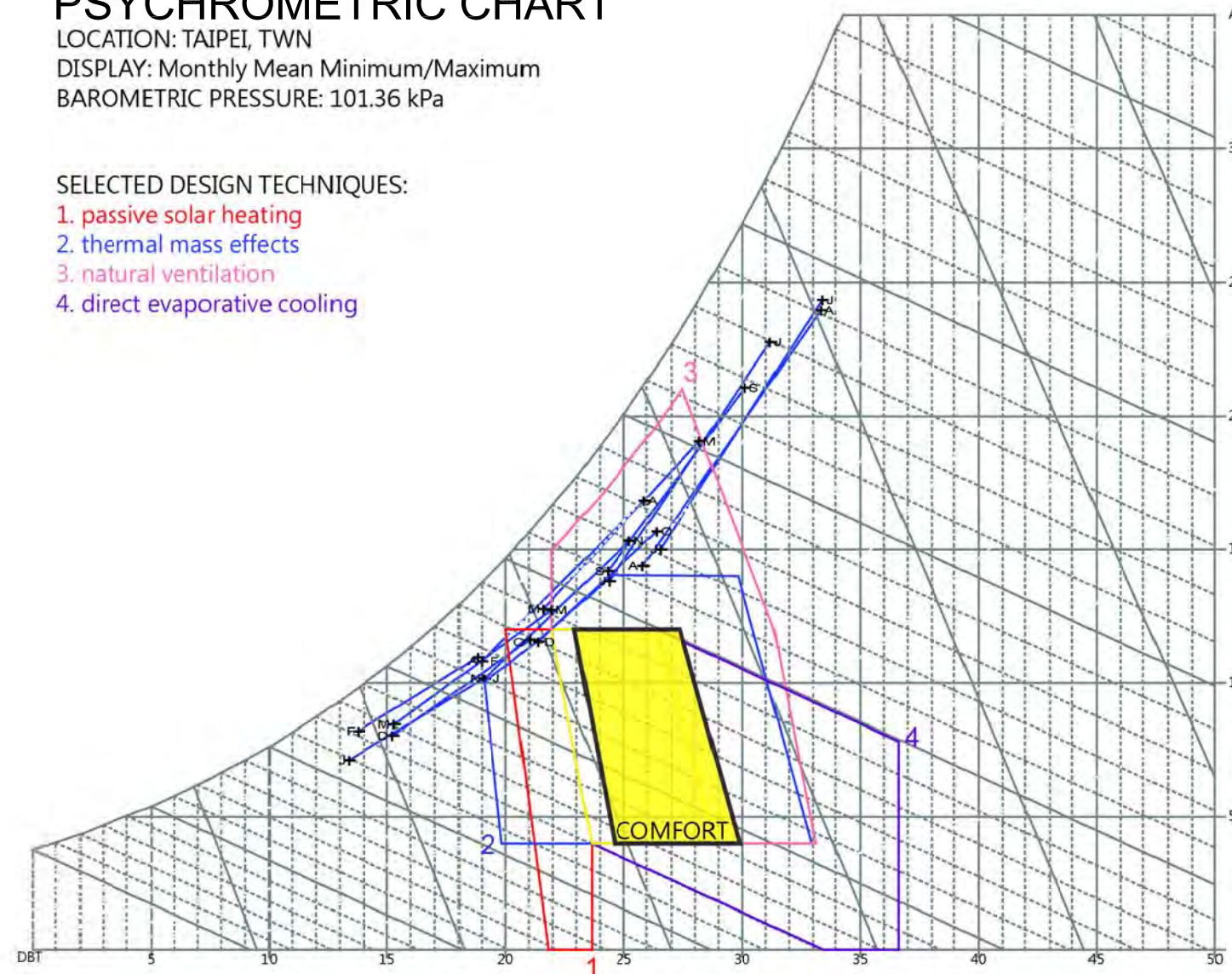


DEGREE-HOURS	ANNUAL
— HEATING DEGREE-HOURS	5795
— SOLAR EXCESS DEGREE-HOURS	24511
— COOLING DEGREE-HOURS	34668

PSYCHROMETRIC CHART

LOCATION: TAIPEI, TWN
 DISPLAY: Monthly Mean Minimum/Maximum
 BAROMETRIC PRESSURE: 101.36 kPa

- SELECTED DESIGN TECHNIQUES:
1. passive solar heating
 2. thermal mass effects
 3. natural ventilation
 4. direct evaporative cooling



Project:



Institution:



NCTU Architecture
 國立交通大學建築研究所

Team Name: NCTU/UNICODE
 Address: 1001 Ta-Hsueh Road
 Hsinchu City 30010
 Taiwan
 Contact: www.sde.tw



Consultants:

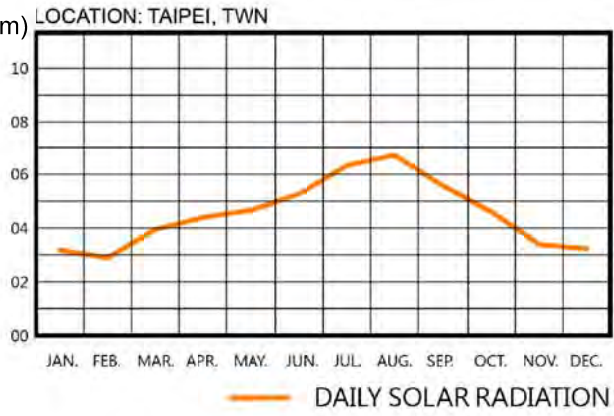
Note:

Mark	Date	Description
DN	2013/04/01	SD Submission
DN	2013/07/01	DDc Submission
ST	2013/11/01	DD Submission

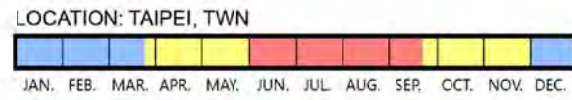
Drawn by	JL
Checked by	DN
Scale	-
Unit	-

DWG. Title	TAIPEI CLIMATE ANALYSIS
DWG. No.	BA-001

RADIATION (W/m)

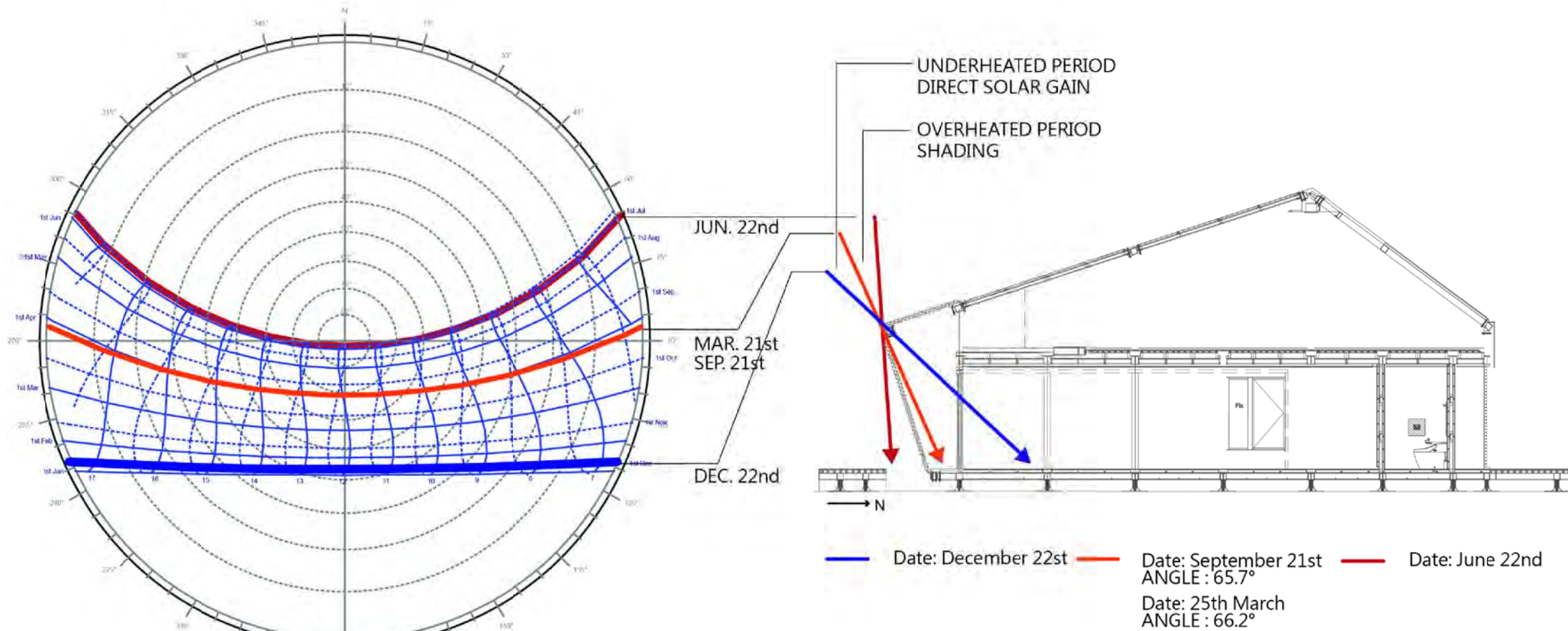


BASIC CLIMATIC CONDITION



- OVERHEATED PERIOD (JUN.01-SEP.21)
- UNDERHEATED PERIOD (DEC.01-MAR.21)
- COMFORTABLE PERIOD (MAR.21-JUN.01 & SEP.21-DEC.01)

SOLAR PATH DIAGRAM



Consultants:

Note:

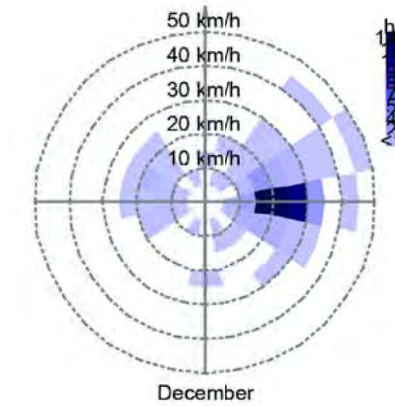
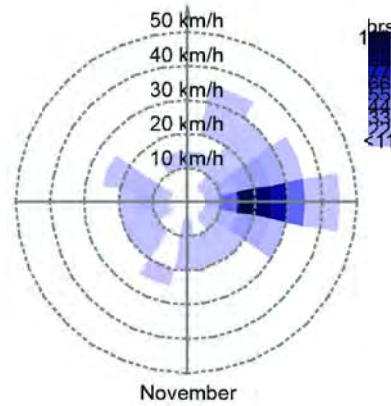
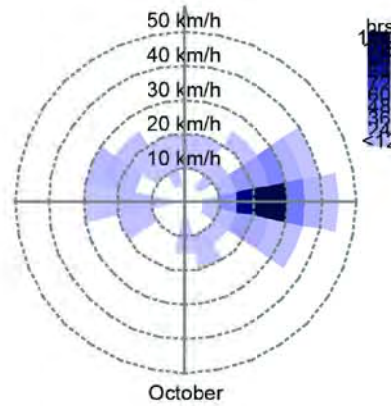
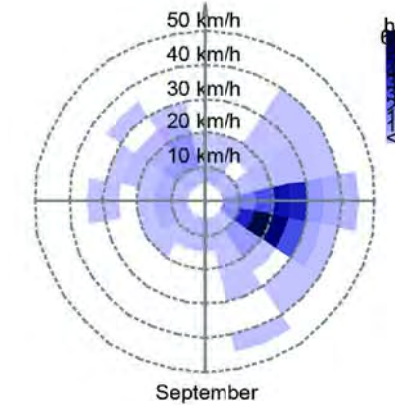
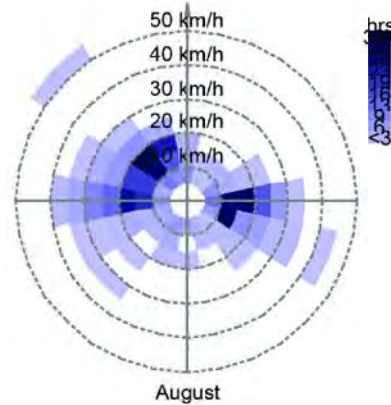
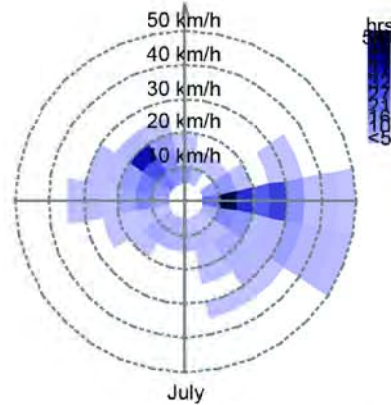
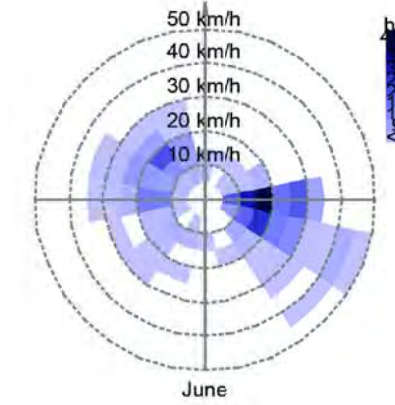
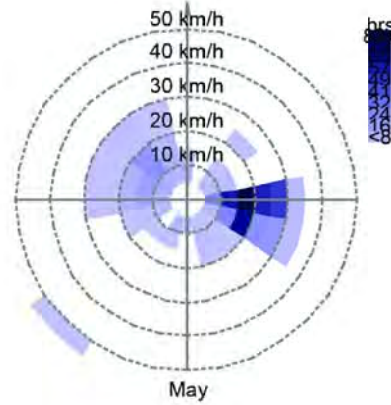
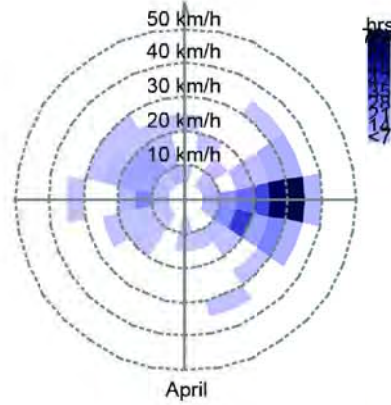
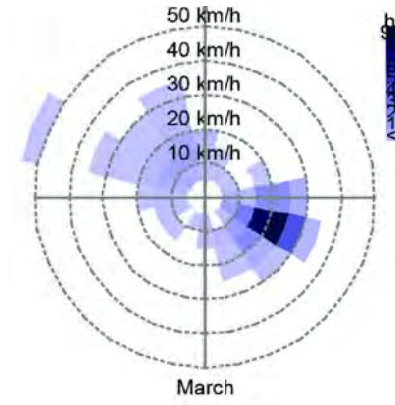
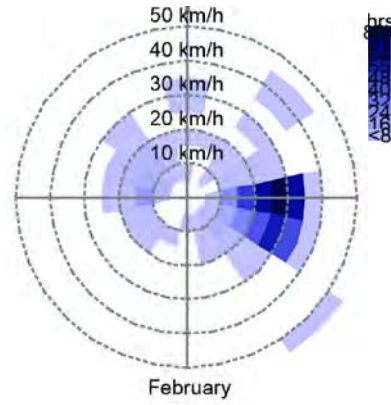
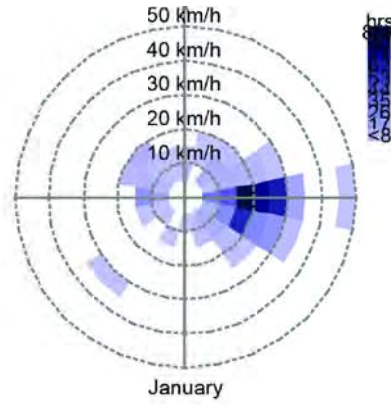
Mark	Date	Description
DN	2013/04/01	SD Submission
DN	2013/07/01	DDc Submission
ST	2013/11/01	DD Submission

Drawn by	JL
Checked by	DN
Scale	-
Unit	-

DWG. Title	TAIPEI SHADING ANALYSIS
DWG. No.	BA-002

PREVALING WINDS

Wind Frequency (Hrs)
 Location: TAIPEI, TWN
 Date: January 1st - December 31st
 Time: 00:00 - 24:00



Project:



Institution:



NCTU Architecture
 國立交通大學建築研究所

Team Name: NCTU/UNICODE
 Address: 1001 Ta-Hsueh Road
 Hsinchu City 30010
 Taiwan
 Contact: www.sde.tw



Consultants:

Note:

Mark	Date	Description
DN	2013/04/01	SD Submission
DN	2013/07/01	DDc Submission
ST	2013/11/01	DD Submission

Drawn by: JL
 Checked by: DN
 Scale: -
 Unit: -

DWG. Title
 TAIPEI WIND ROSE ANALYSIS

DWG. No.
BA-003

TEMPERATURE (°C)

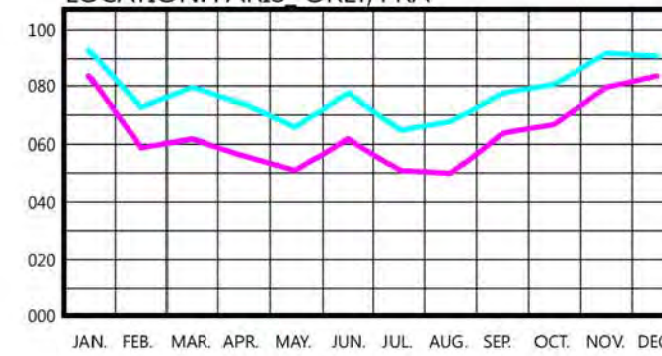
LOCATION: PARIS_ORLY, FRA



- RANGE OF OUTDOOR TEMPERATURE FOR COMFORTABLE INDOOR TEMPERATURE
- MAXIMUM TEMPERATURE
- AVERAGE TEMPERATURE
- MINIMUM TEMPERATURE

HUMIDITY (%)

LOCATION: PARIS_ORLY, FRA



- RELATIVE HUMIDITY (09:00AM)
- RELATIVE HUMIDITY (03:00PM)

DEGREE HOURS

(HEATING, COOLING AND SOLAR)

LOCATION: PARIS_ORLY, FRA

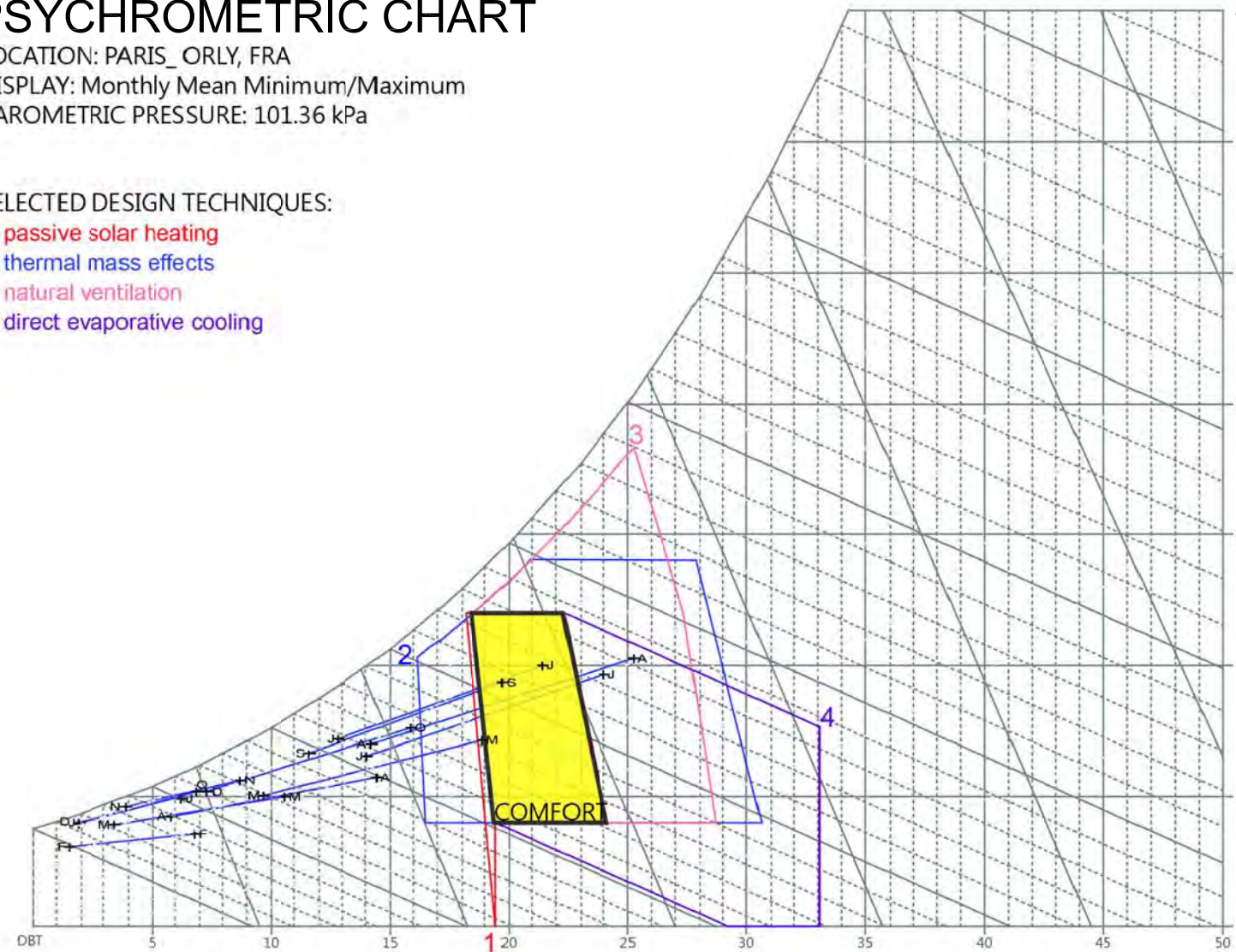


DEGREE-HOURS	ANNUAL
— HEATING DEGREE-HOURS	64193
— SOLAR EXCESS DEGREE-HOURS	19993
— COOLING DEGREE-HOURS	2929

PSYCHROMETRIC CHART

LOCATION: PARIS_ORLY, FRA
 DISPLAY: Monthly Mean Minimum/Maximum
 BAROMETRIC PRESSURE: 101.36 kPa

- SELECTED DESIGN TECHNIQUES:
1. passive solar heating
 2. thermal mass effects
 3. natural ventilation
 4. direct evaporative cooling



Project:



Institution:



NCTU Architecture
 國立交通大學建築研究所

Team Name: NCTU/UNICODE
 Address: 1001 Ta-Hsueh Road
 Hsinchu City 30010
 Taiwan
 Contact: www.sde.tw



Consultants:

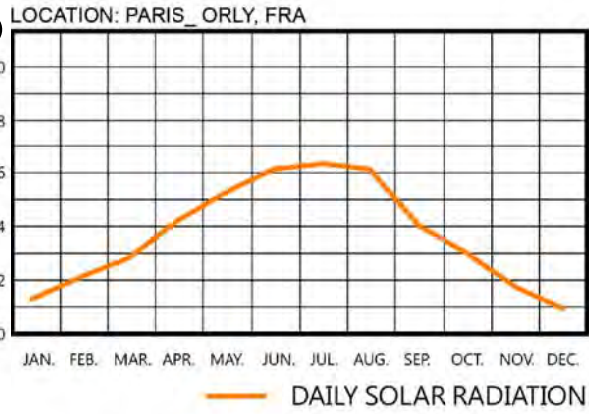
Note:

Mark	Date	Description
DN	2013/04/01	SD Submission
DN	2013/07/01	DDc Submission
ST	2013/11/01	DD Submission

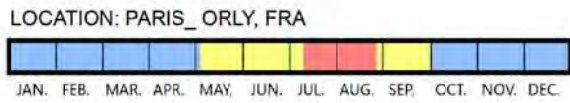
Drawn by	JL
Checked by	DN
Scale	-
Unit	-

DWG. Title	VERSAILLES CLIMATE ANALYSIS
DWG. No.	BA-004

RADIATION (W/m)

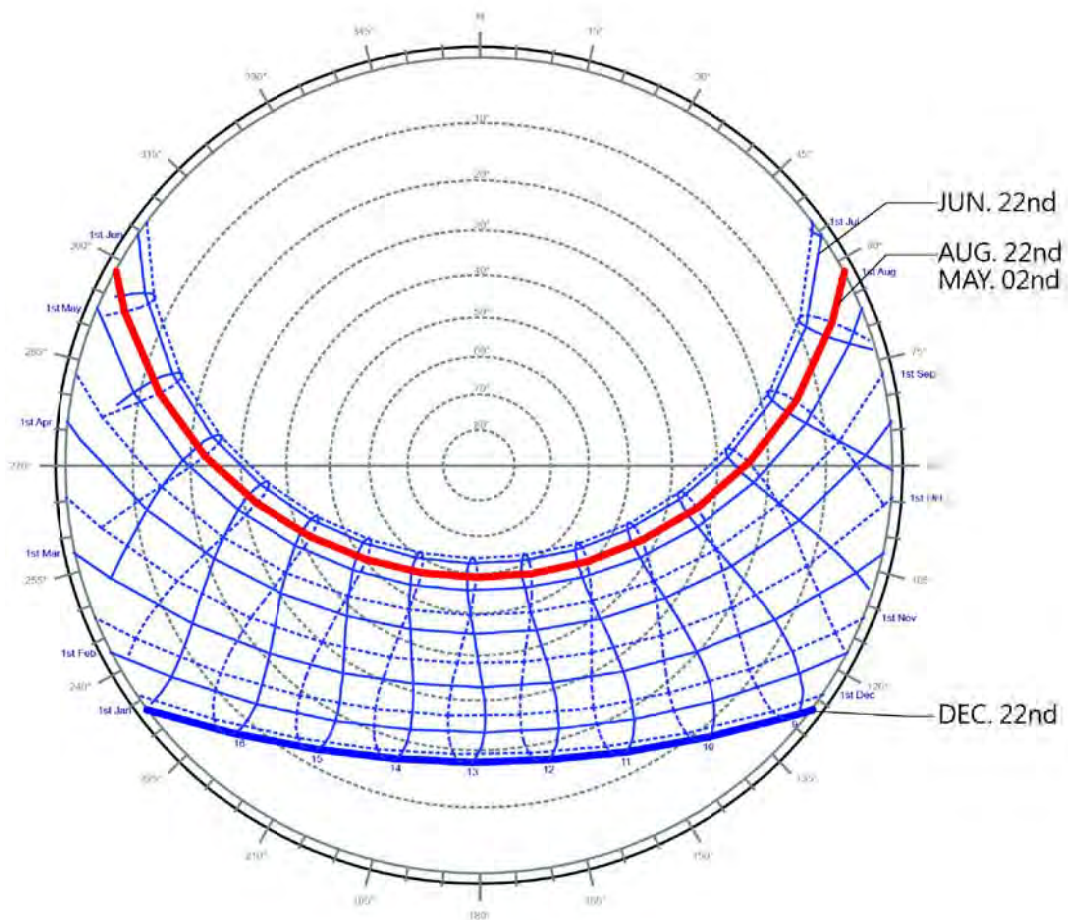


BASIC CLIMATIC CONDITION



- OVERHEATED PERIOD
- UNDERHEATED PERIOD
- COMFORTABLE PERIOD

SOLAR PATH DIAGRAM



Project:



Institution:



NCTU Architecture
國立交通大學建築研究所

Team Name: NCTU/UNICODE
Address: 1001 Ta-Hsueh Road
Hsinchu City 30010
Taiwan
Contact: www.sde.tw



Consultants:

Note:

Mark	Date	Description
DN	2013/04/01	SD Submission
DN	2013/07/01	DDc Submission
ST	2013/11/01	DD Submission

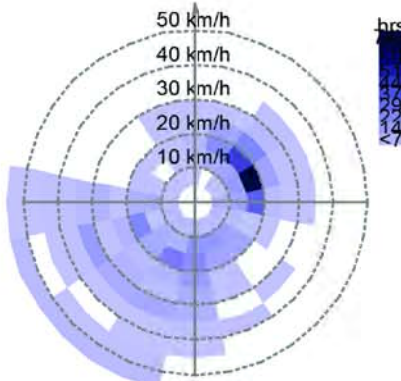
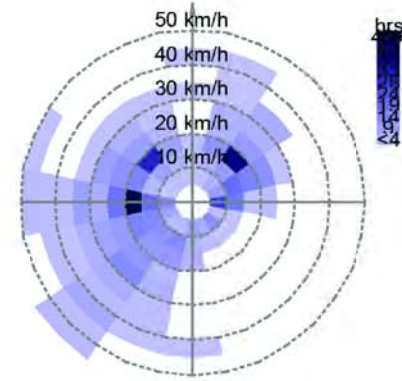
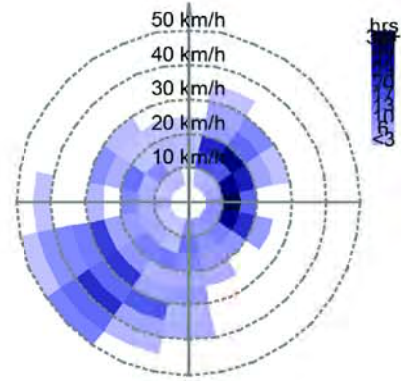
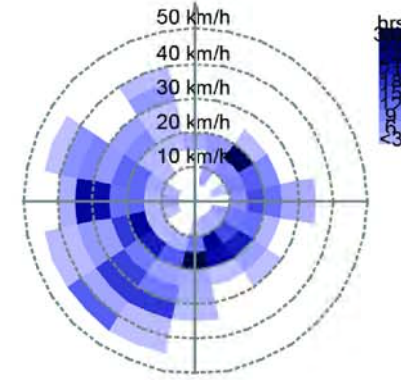
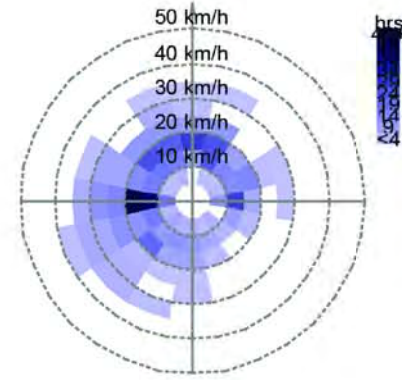
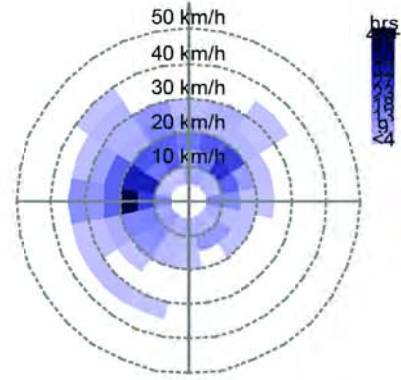
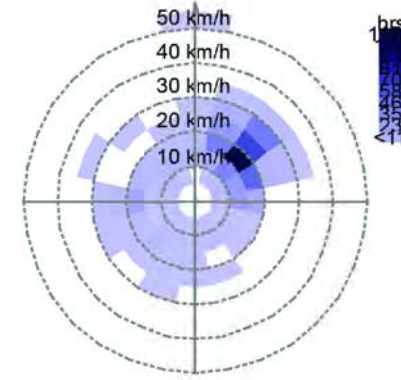
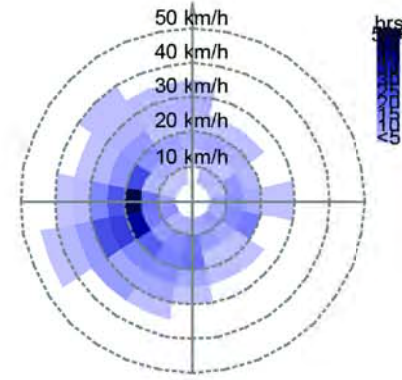
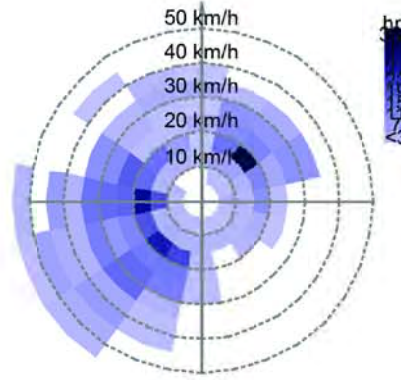
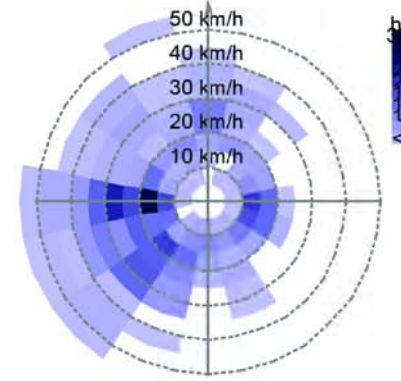
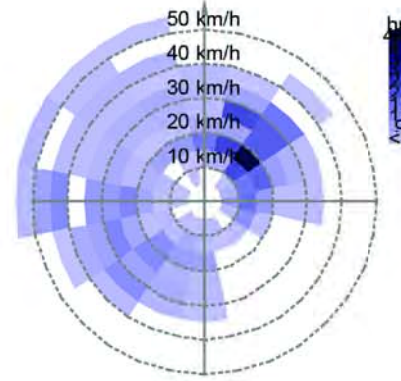
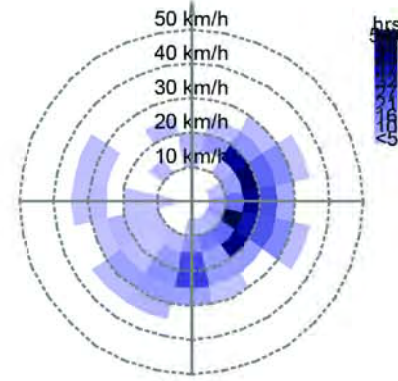
Drawn by	JL
Checked by	DN
Scale	-
Unit	-

DWG. Title
VERSAILLES SHADING ANALYSIS

DWG. No.
BA-005

PREVALING WINDS

Wind Frequency (Hrs)
 Location: PARIS_ORLY, FRA
 Date: 1st January - 31st December
 Time: 00:00 - 24:00



Project:



Institution:



NCTU Architecture
 國立交通大學建築研究所

Team Name: NCTU/UNICODE
 Address: 1001 Ta-Hsueh Road
 Hsinchu City 30010
 Taiwan
 Contact: www.sde.tw



Consultants:

Note:

Mark	Date	Description
DN	2013/04/01	SD Submission
DN	2013/07/01	DDc Submission
ST	2013/11/01	DD Submission

Drawn by: JL
 Checked by: DN
 Scale: -
 Unit: -

DWG. Title
VERSAILLES WIND ROSE ANALYSIS

DWG. No.
BA-006

Project:



Institution:



NCTU Architecture
國立交通大學建築研究所

Team Name:

NCTU/UNICODE

Address:

1001 Ta-Hsueh Road
Hsinchu City 30010
Taiwan

Contact:

www.sde.tw



Consultants:

Note:

Mark	Date	Description
DN	2013/04/01	SD Submission
DN	2013/07/01	DDc Submission
ST	2013/11/01	DD Submission

Drawn by JL

Checked by DN

Scale -

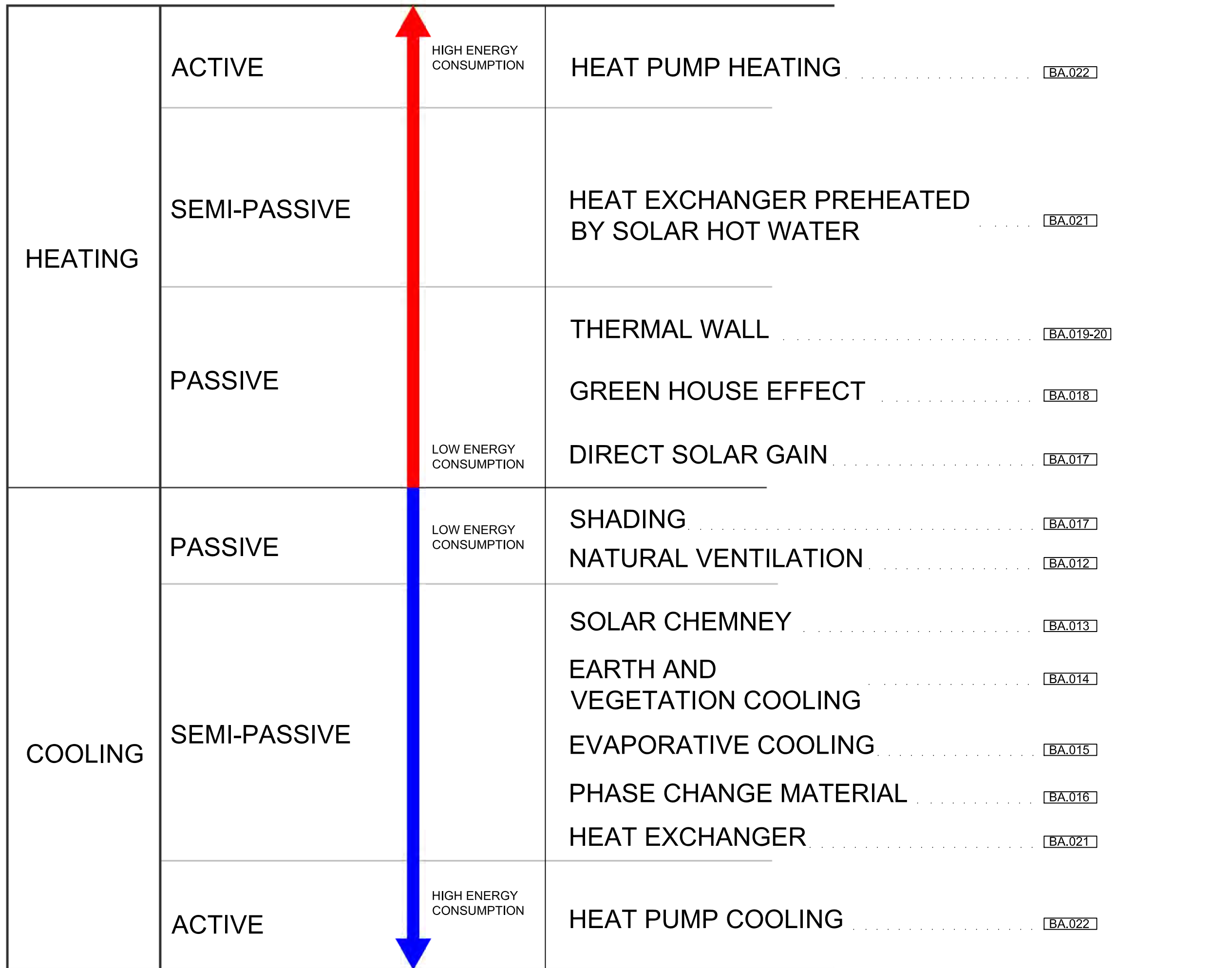
Unit -

DWG. Title

BIOClimatic STRATEGIES

DWG. No.

BA-011





Mark	Date	Description
DN	2013/04/01	SD Submission
DN	2013/07/01	DDc Submission
ST	2013/11/01	DD Submission

Drawn by TW

Checked by LY

Scale -

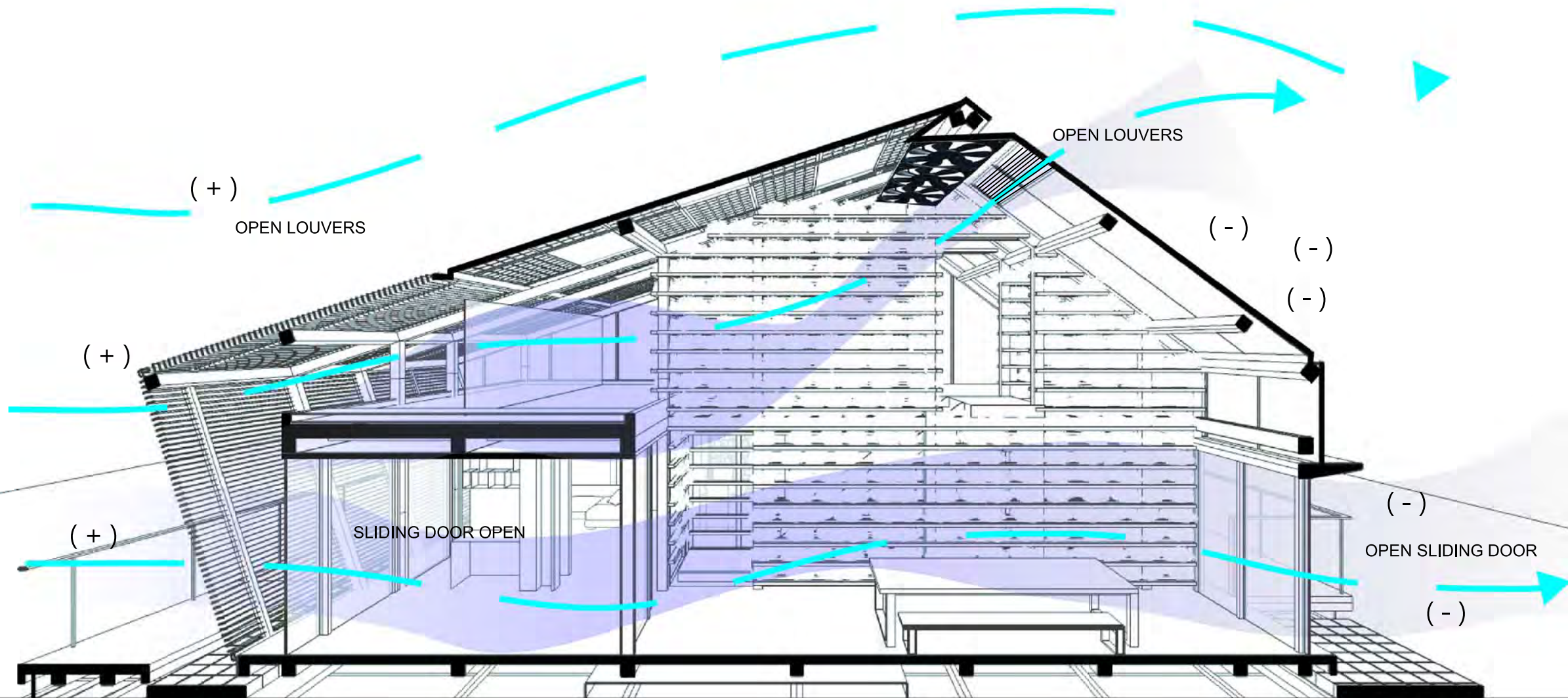
Unit -

DWG. Title

NATURAL VENTILATION

DWG. No.

BA-012



OUT DOOR TEMPERATURE UNDER 19°C WITH WIND



Mark	Date	Description
DN	2013/04/01	SD Submission
DN	2013/07/01	DDc Submission
ST	2013/11/01	DD Submission

Drawn by TW

Checked by LY

Scale -

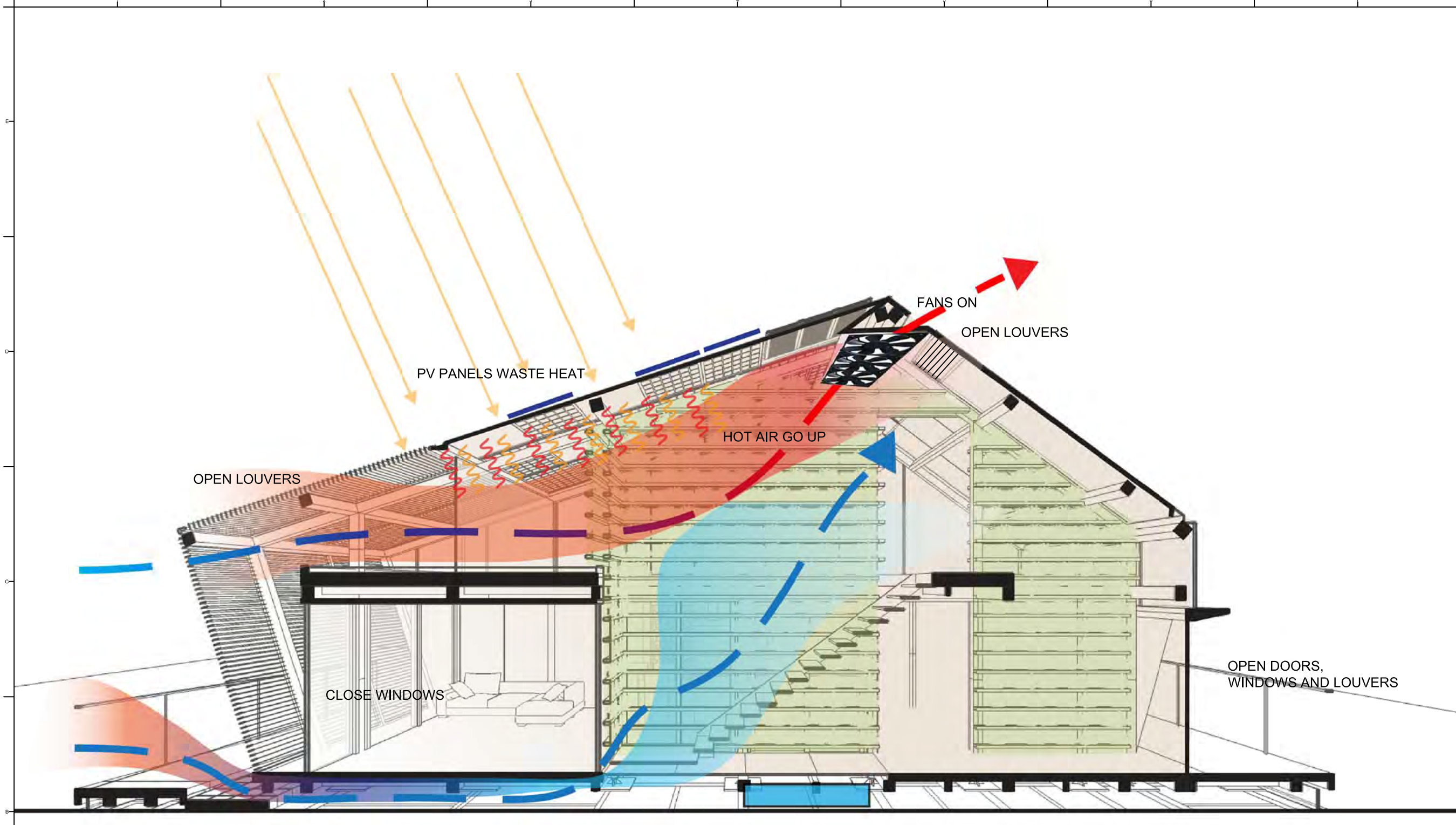
Unit -

DWG. Title

SOLAR CHEMNY

DWG. No.

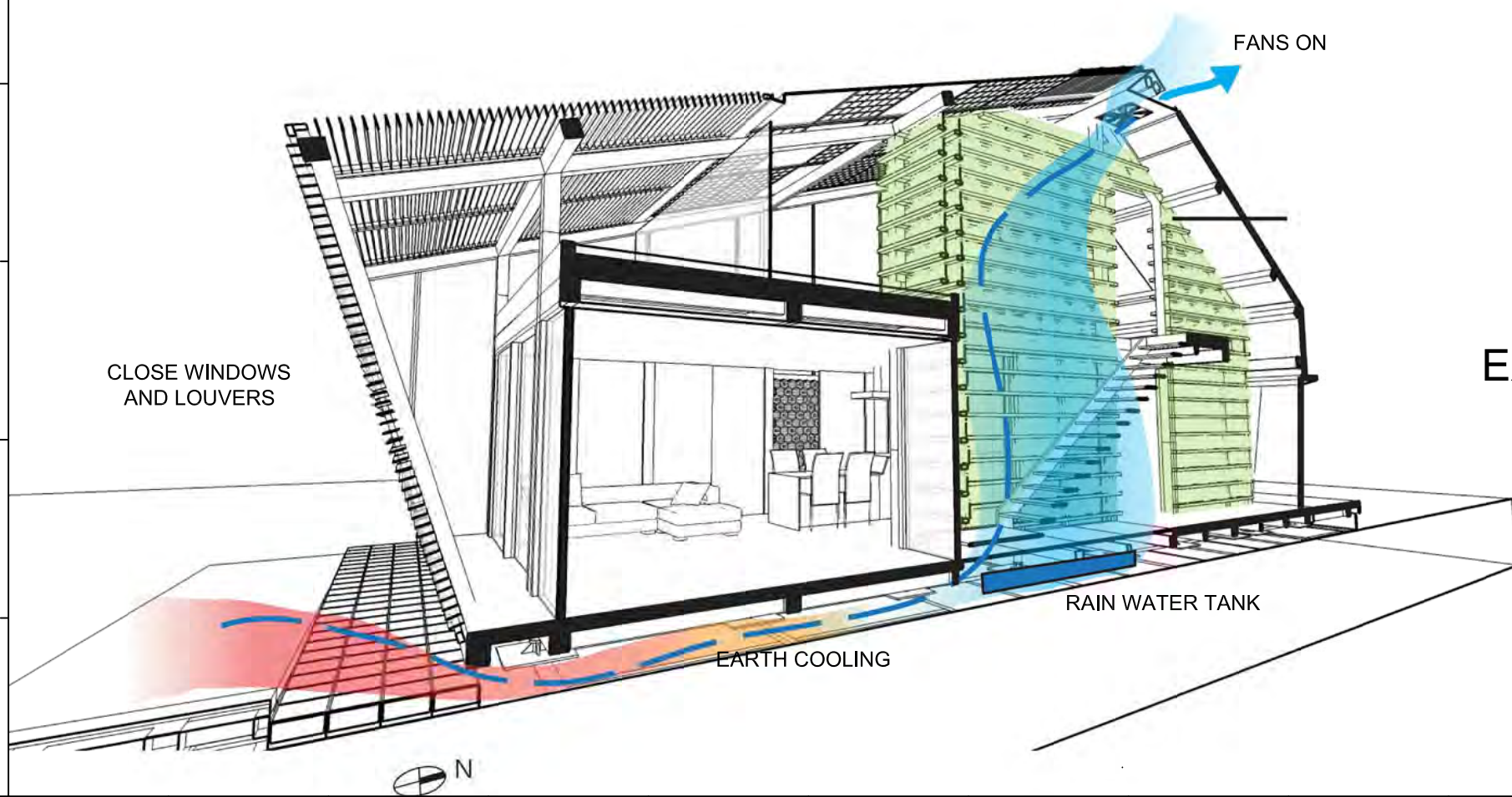
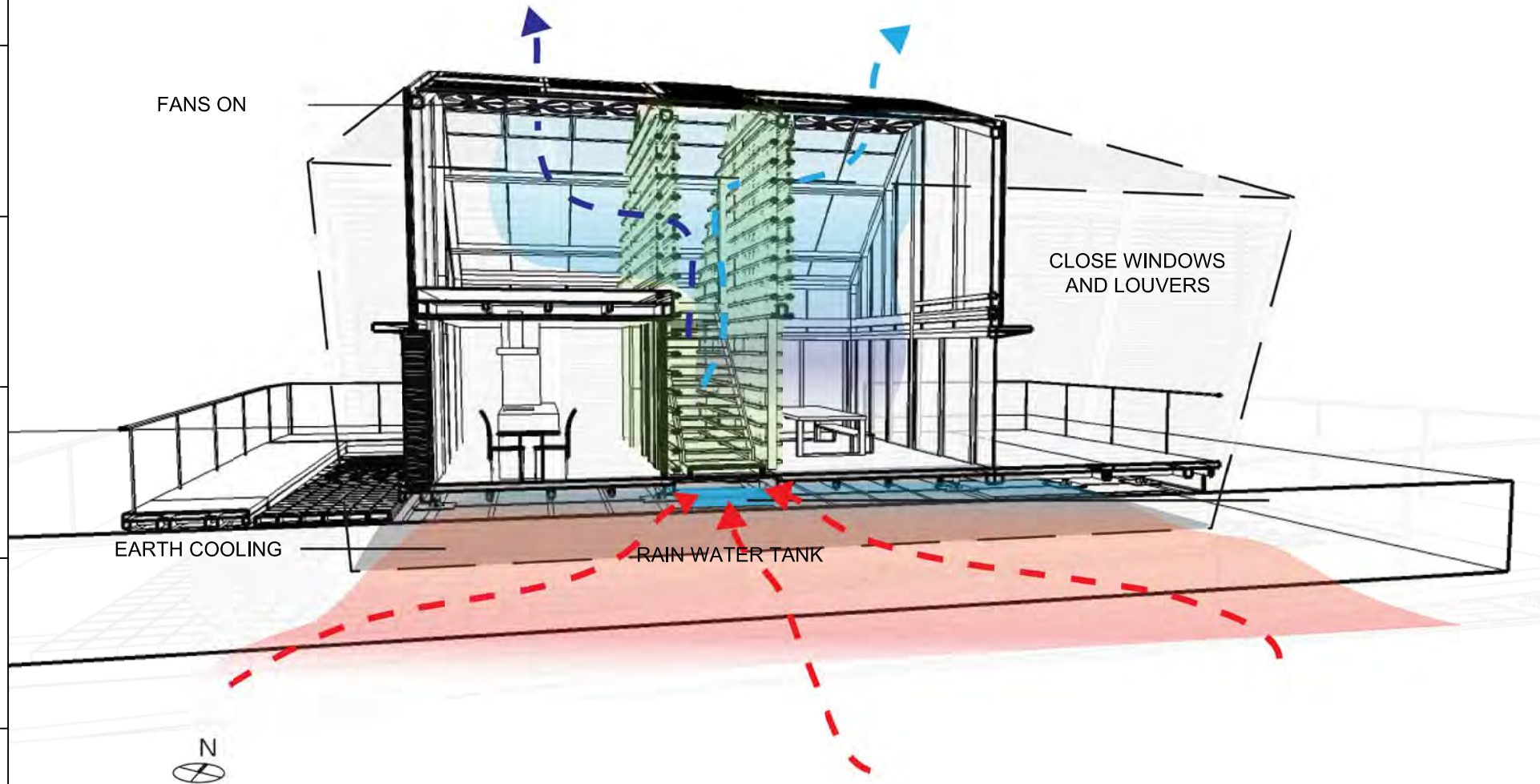
BA-013



EXTERIOR TEMPERATURE UNDER 19°C
NO WIND



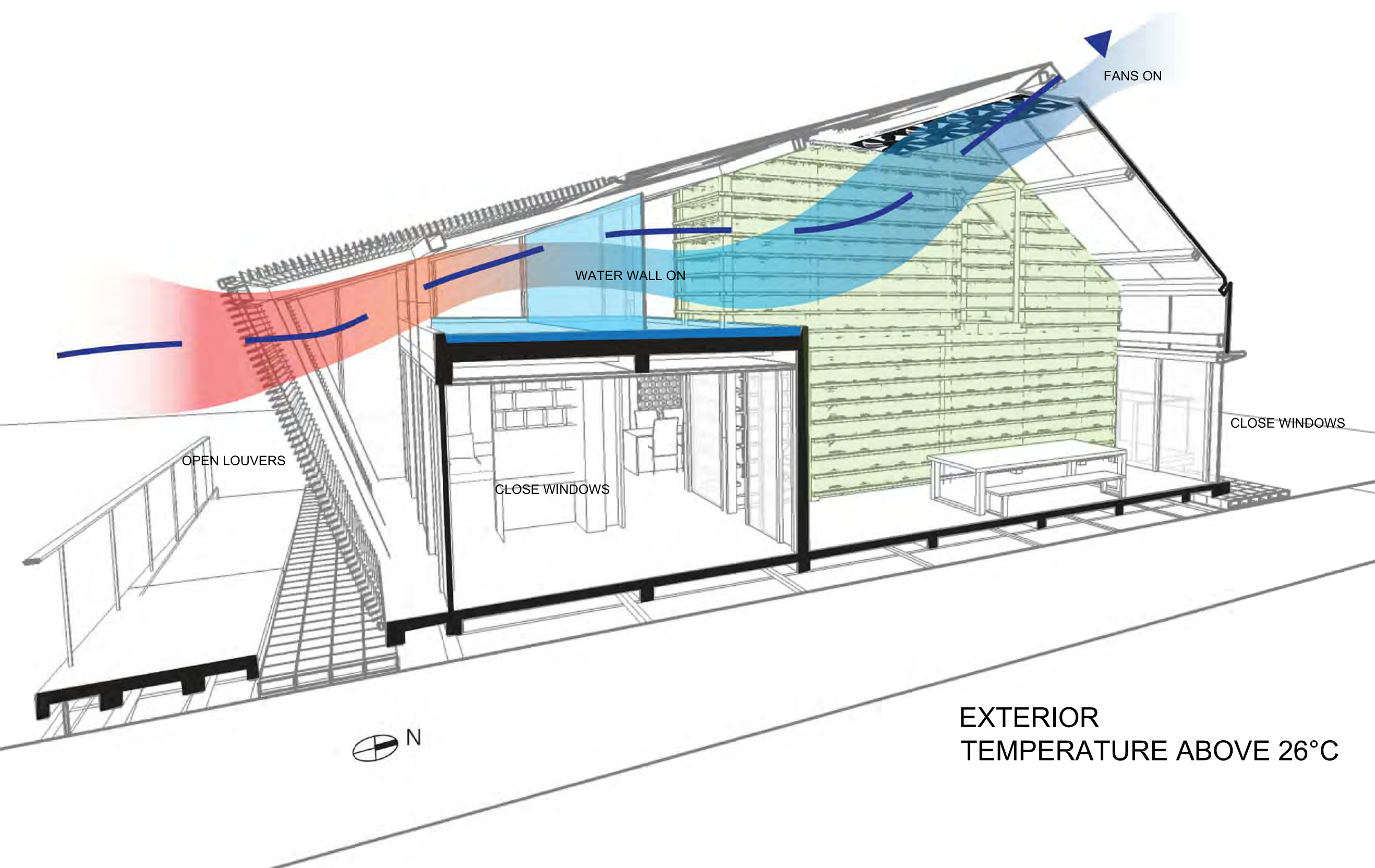
Mark	Date	Description
DN	2013/04/01	SD Submission
DN	2013/07/01	DDc Submission
ST	2013/11/01	DD Submission



EXTERIOR TEMPERATURE ABOVE 26°C



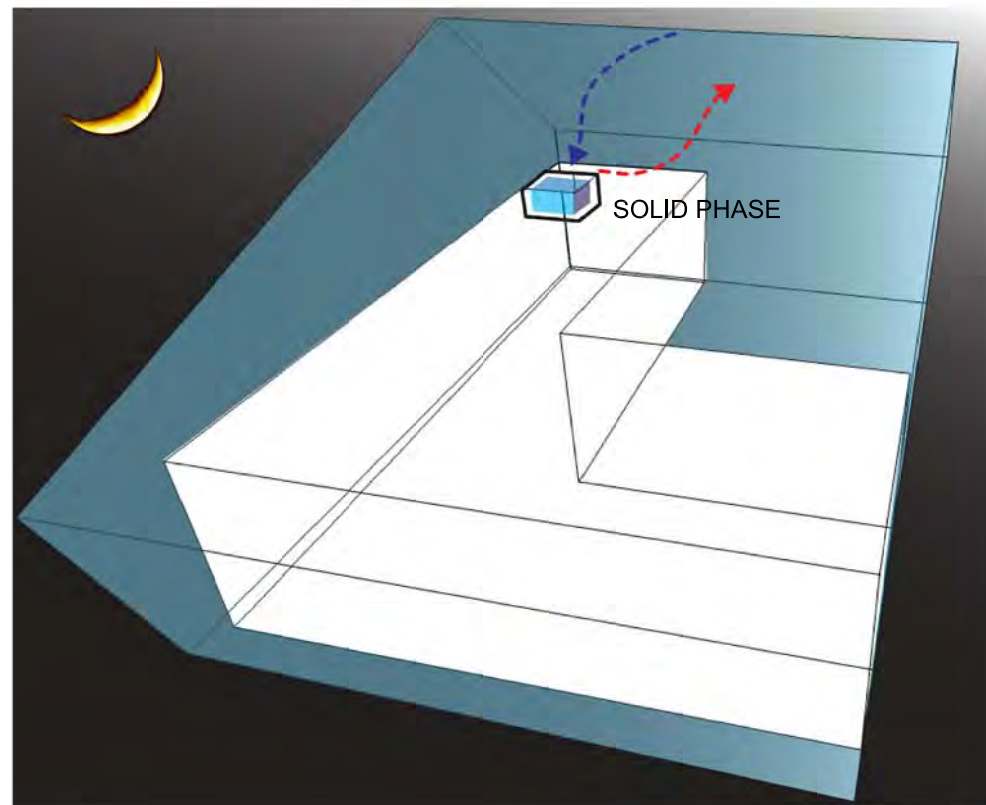
Mark	Date	Description
DN	2013/04/01	SD Submission
DN	2013/07/01	DDc Submission
ST	2013/11/01	DD Submission



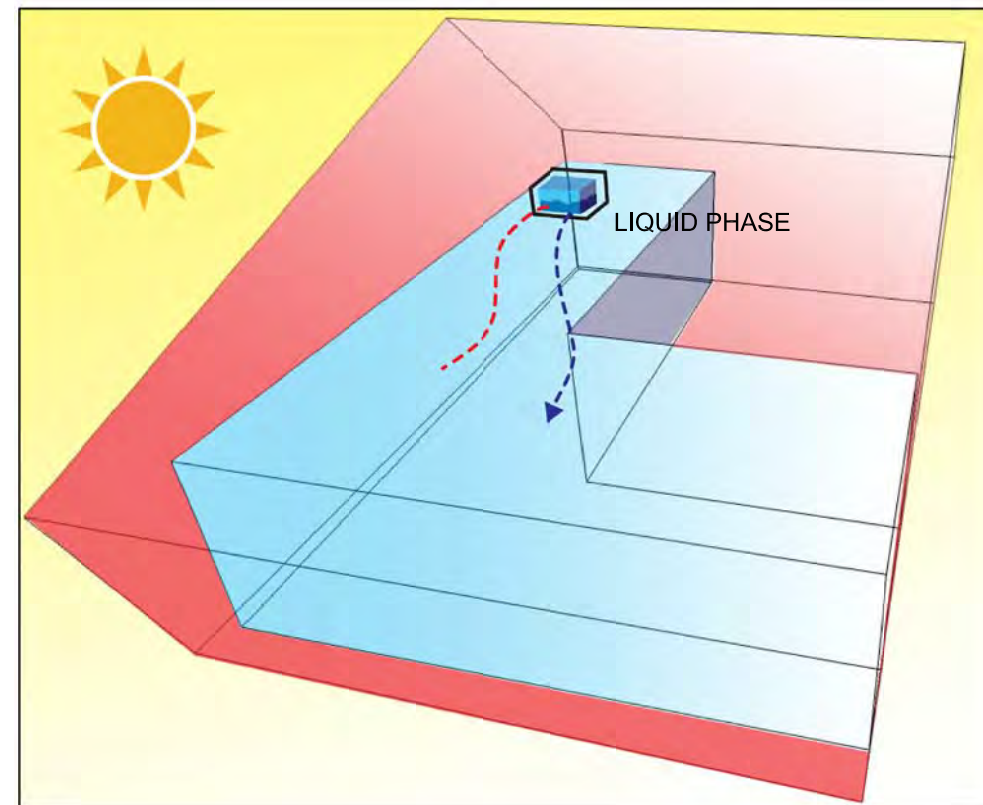
EXTERIOR TEMPERATURE ABOVE 26°C



Mark	Date	Description
DN	2013/04/01	SD Submission
DN	2013/07/01	DDc Submission
ST	2013/11/01	DD Submission



RELEASE HEAT TO OUTDOOR
COOL AIR SOLIFY PHASE
CHANGE MATERIAL



ABSORB HEAT FROM IN DOOR
WARM AIR LIQUIFY PHASE
CHANGE MATERIAL

Project:



Institution:



NCTU Architecture
國立交通大學建築研究所

Team Name: NCTU/UNICODE

Address: 1001 Ta-Hsueh Road
Hsinchu City 30010
Taiwan

Contact: www.sde.tw



Consultants:

Note:

Mark	Date	Description
DN	2013/04/01	SD Submission
DN	2013/07/01	DDc Submission
ST	2013/11/01	DD Submission

Drawn by TW

Checked by LY

Scale -

Unit -

DWG. Title

DIRECT SOLAR HEATING

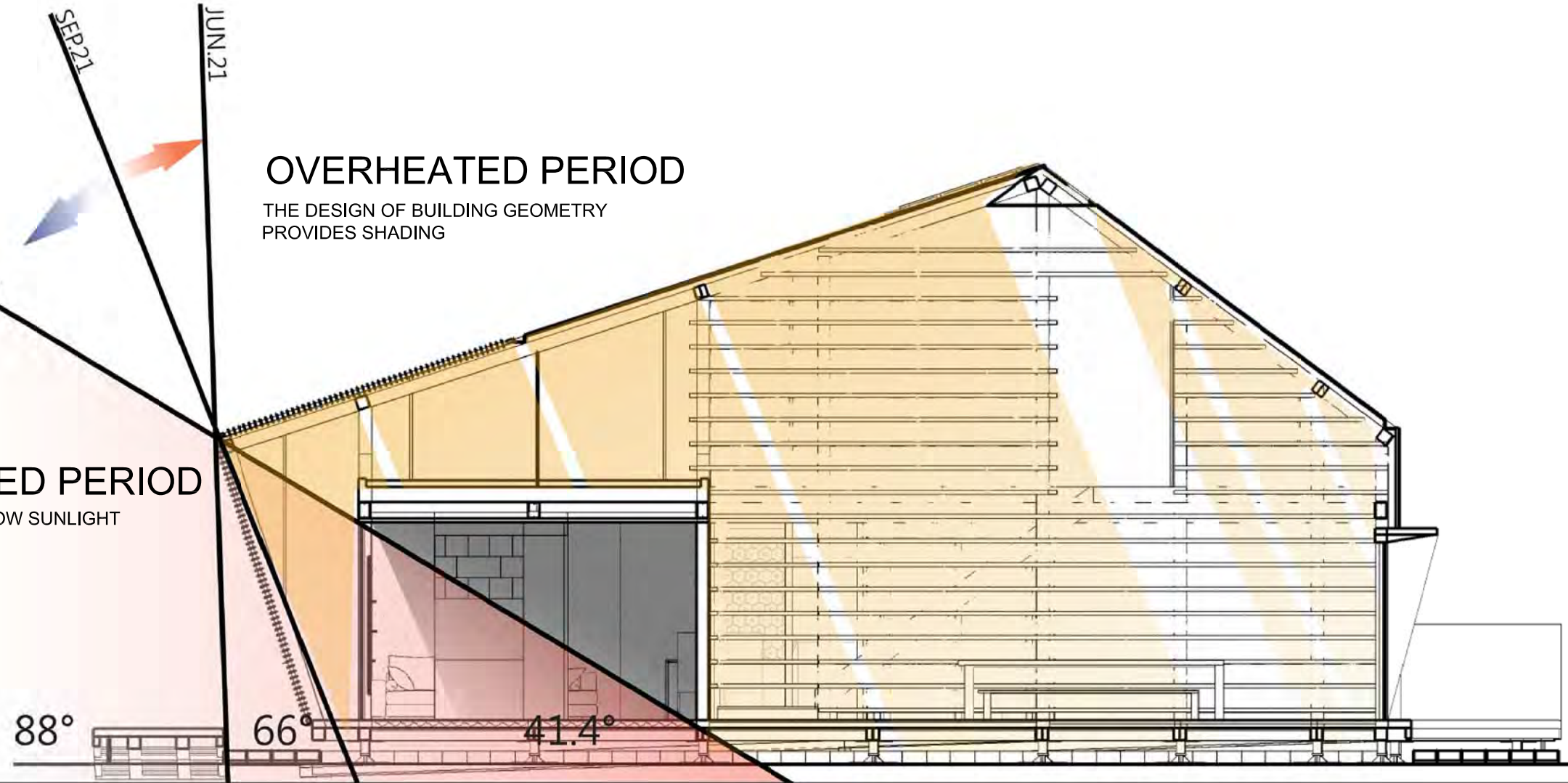
DWG. No.

BA-017



OVERHEATED PERIOD
THE DESIGN OF BUILDING GEOMETRY PROVIDES SHADING

UNDERHEATED PERIOD
BUILDING GEOMETRY ALLOW SUNLIGHT ENTERING LIVING SPACE



88° 66° 41.4°

THE HIGHEST ANGLE OF THE SUN SEP.21; MAR.21 OVERHEAT/UNDERHEAT TRANSITION DATE ANGLE OF THE SUN THE LOWEST ANGLE OF THE SUN





Mark	Date	Description
DN	2013/04/01	SD Submission
DN	2013/07/01	DDc Submission
ST	2013/11/01	DD Submission

Drawn by TW

Checked by LY

Scale -

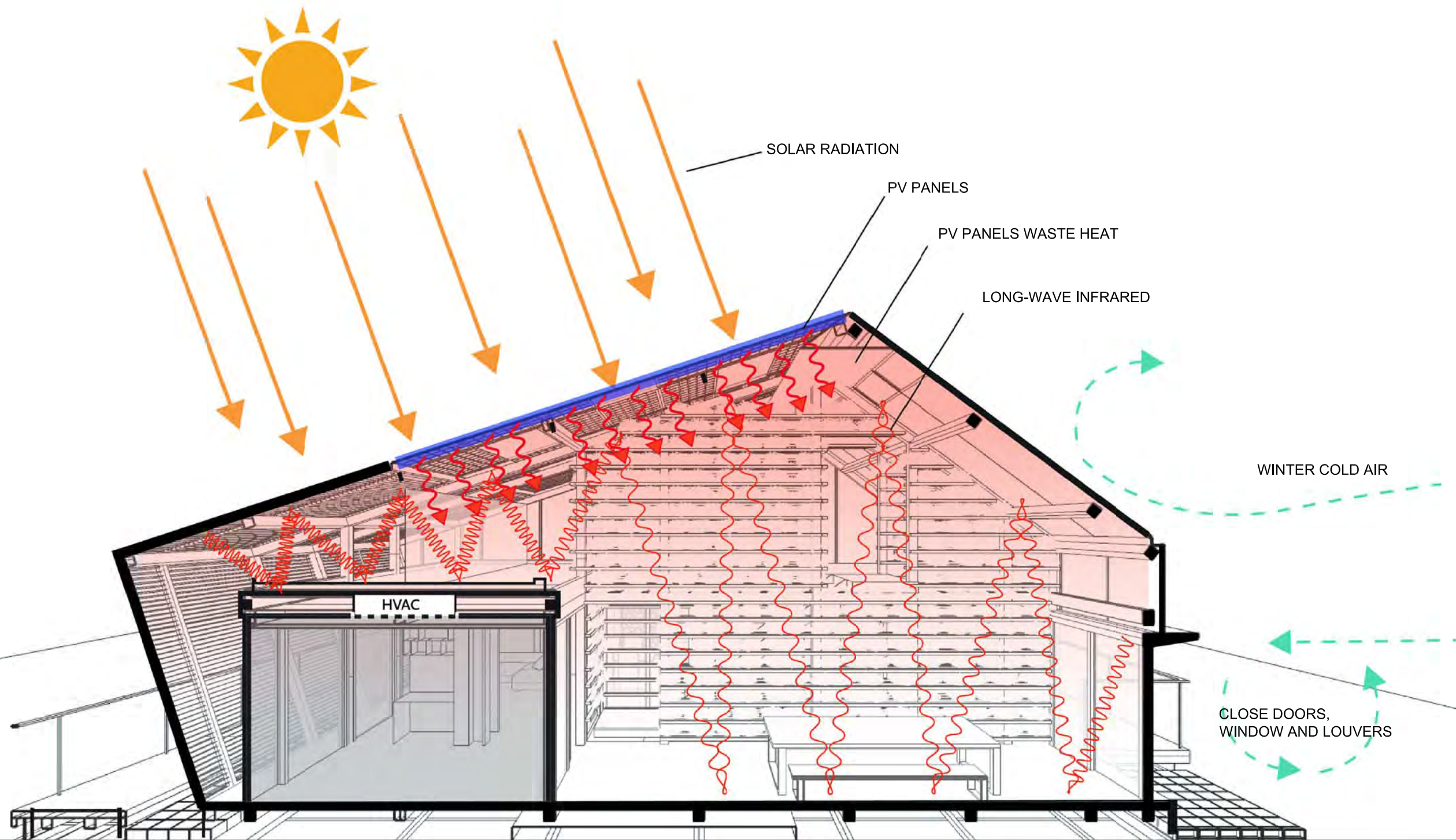
Unit -

DWG. Title

BIOCLIMATIC DRAWINGS
HEATING

DWG. No.

BA-018



OUTDOOR TEMPERATURE
BELOW 26°C

Project:



Institution:



NCTU Architecture
國立交通大學建築研究所

Team Name: NCTU/UNICODE
Address: 1001 Ta-Hsueh Road
Hsinchu City 30010
Taiwan
Contact: www.sde.tw



Consultants:

Note:

Mark	Date	Description
DN	2013/04/01	SD Submission
DN	2013/07/01	DDc Submission
ST	2013/11/01	DD Submission

Drawn by TW

Checked by LY

Scale -

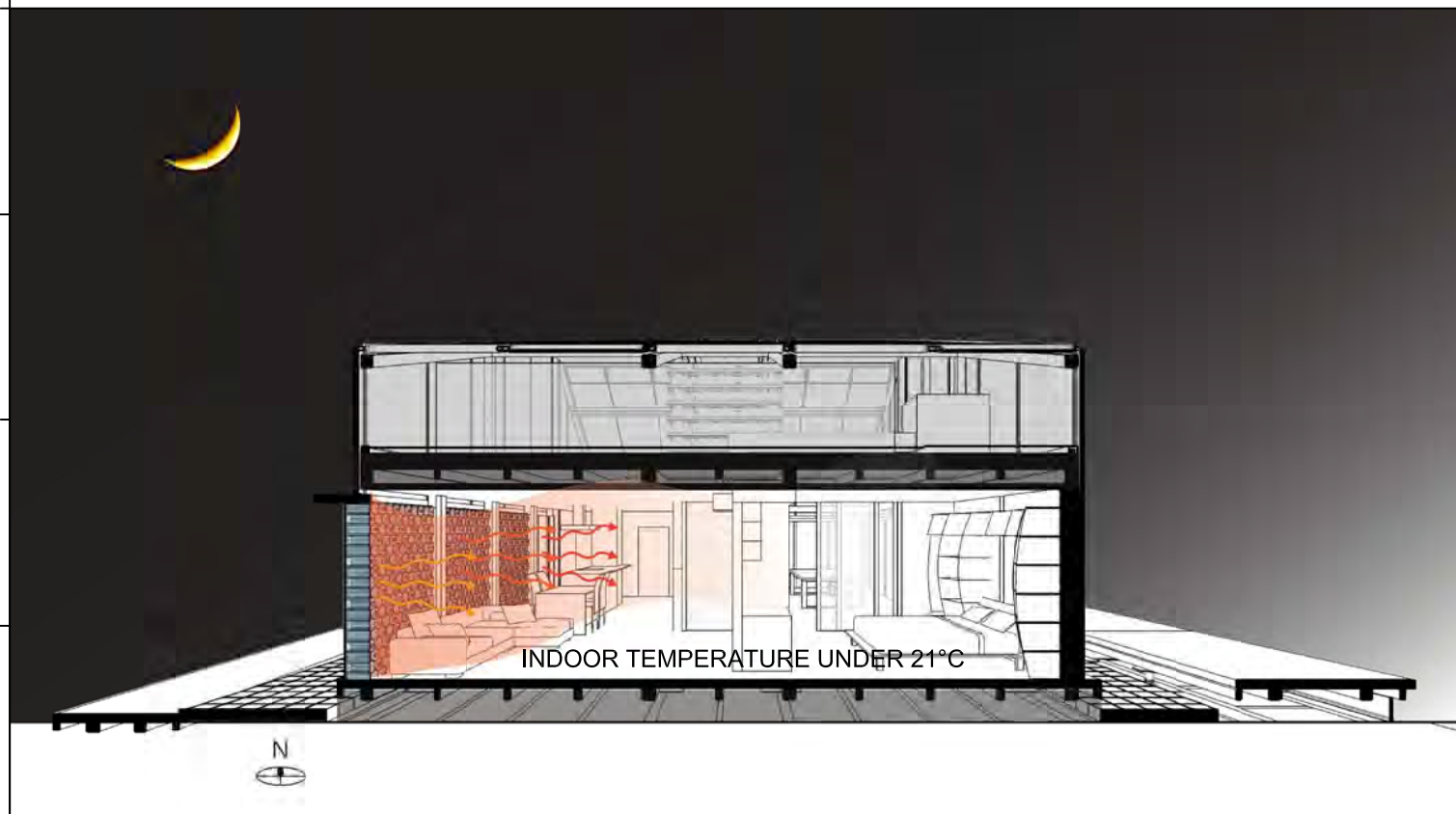
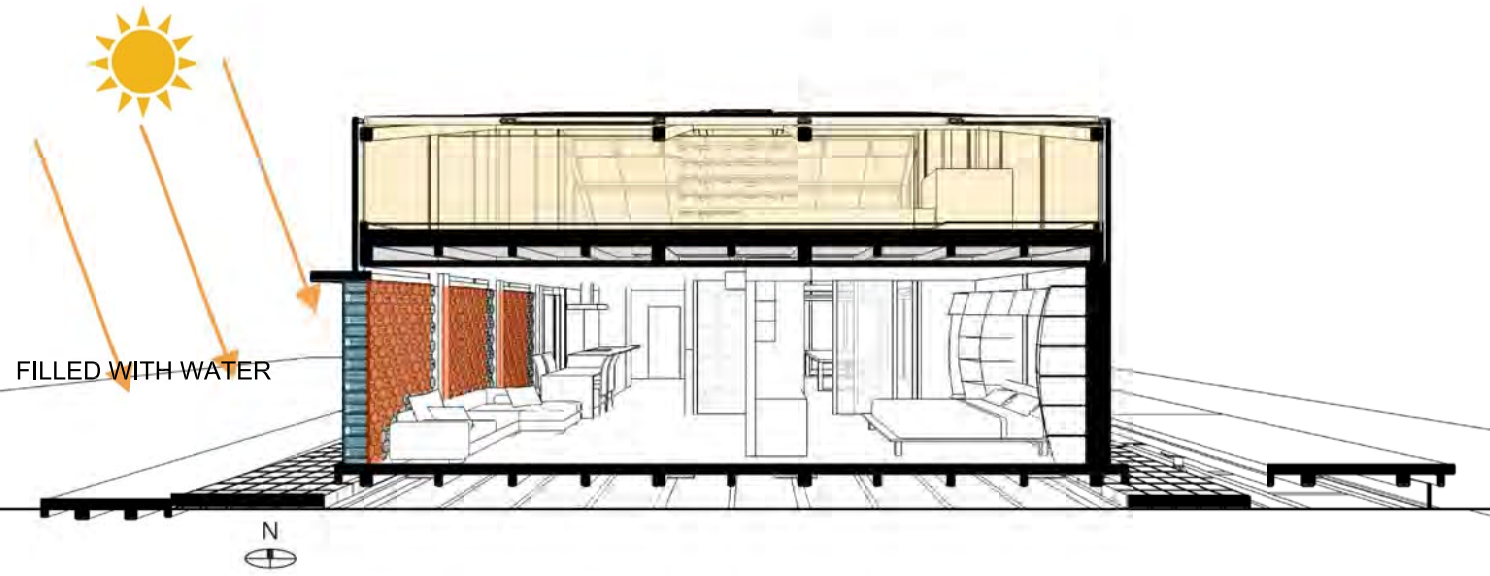
Unit -

DWG. Title

**THERMAL WALL
UNDERHEATED SEASON**

DWG. No.

BA-019



Project:



Institution:



NCTU Architecture
國立交通大學建築研究所

Team Name: NCTU/UNICODE
Address: 1001 Ta-Hsueh Road
Hsinchu City 30010
Taiwan
Contact: www.sde.tw



Consultants:

Note:

Mark	Date	Description
DN	2013/04/01	SD Submission
DN	2013/07/01	DDc Submission
ST	2013/11/01	DD Submission

Drawn by TW

Checked by LY

Scale -

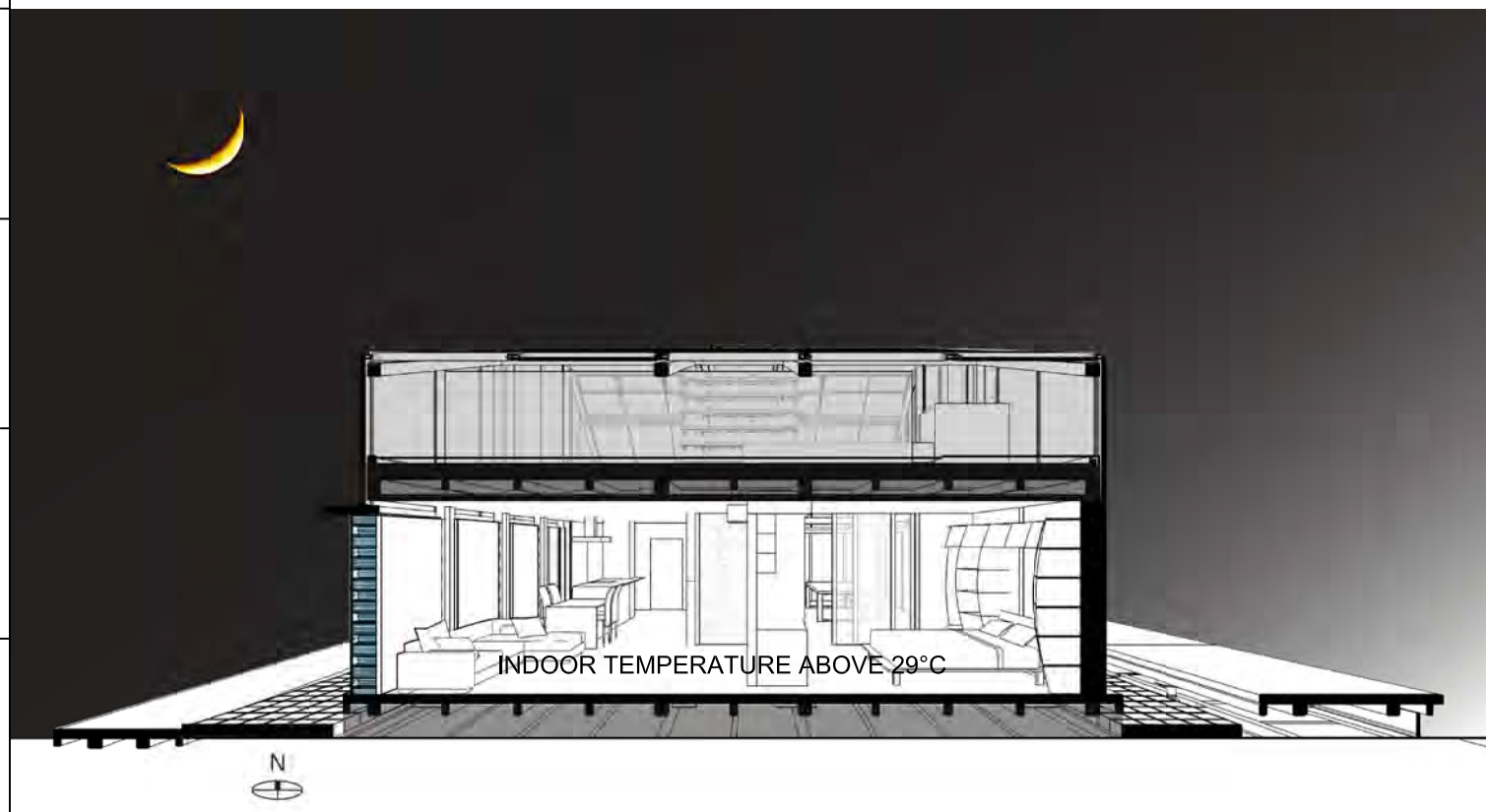
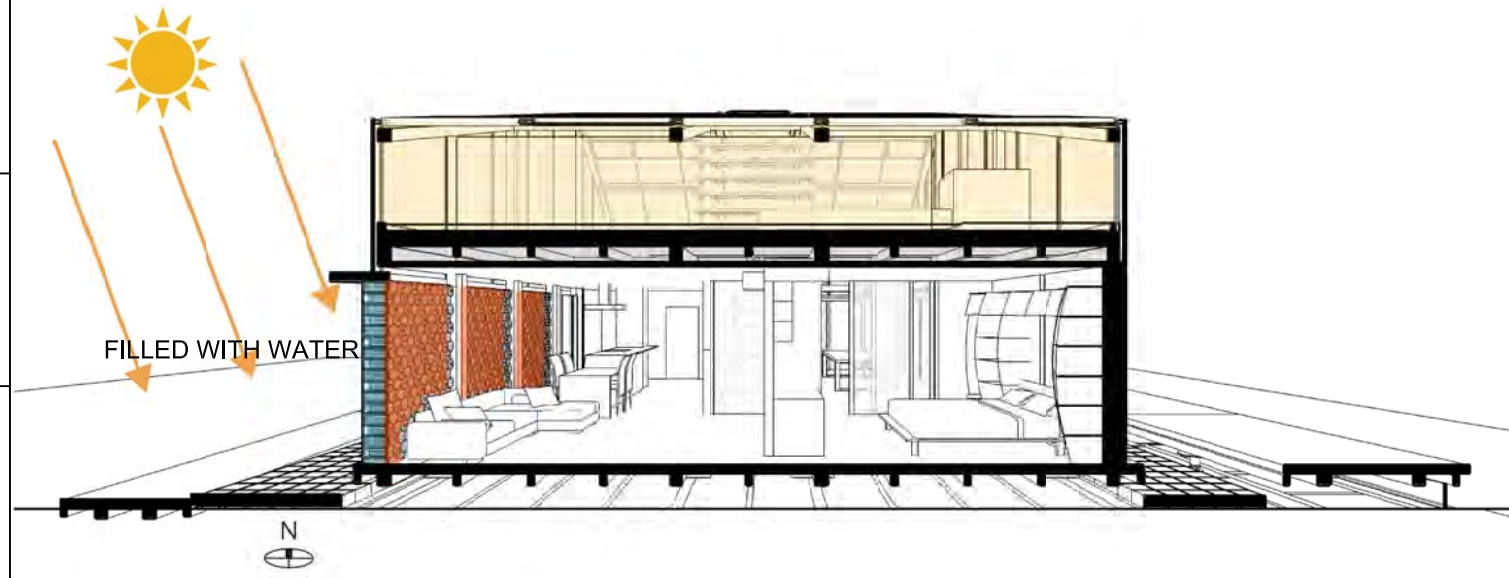
Unit -

DWG. Title

**THERMAL WALL
OVERHEATED SEASON**

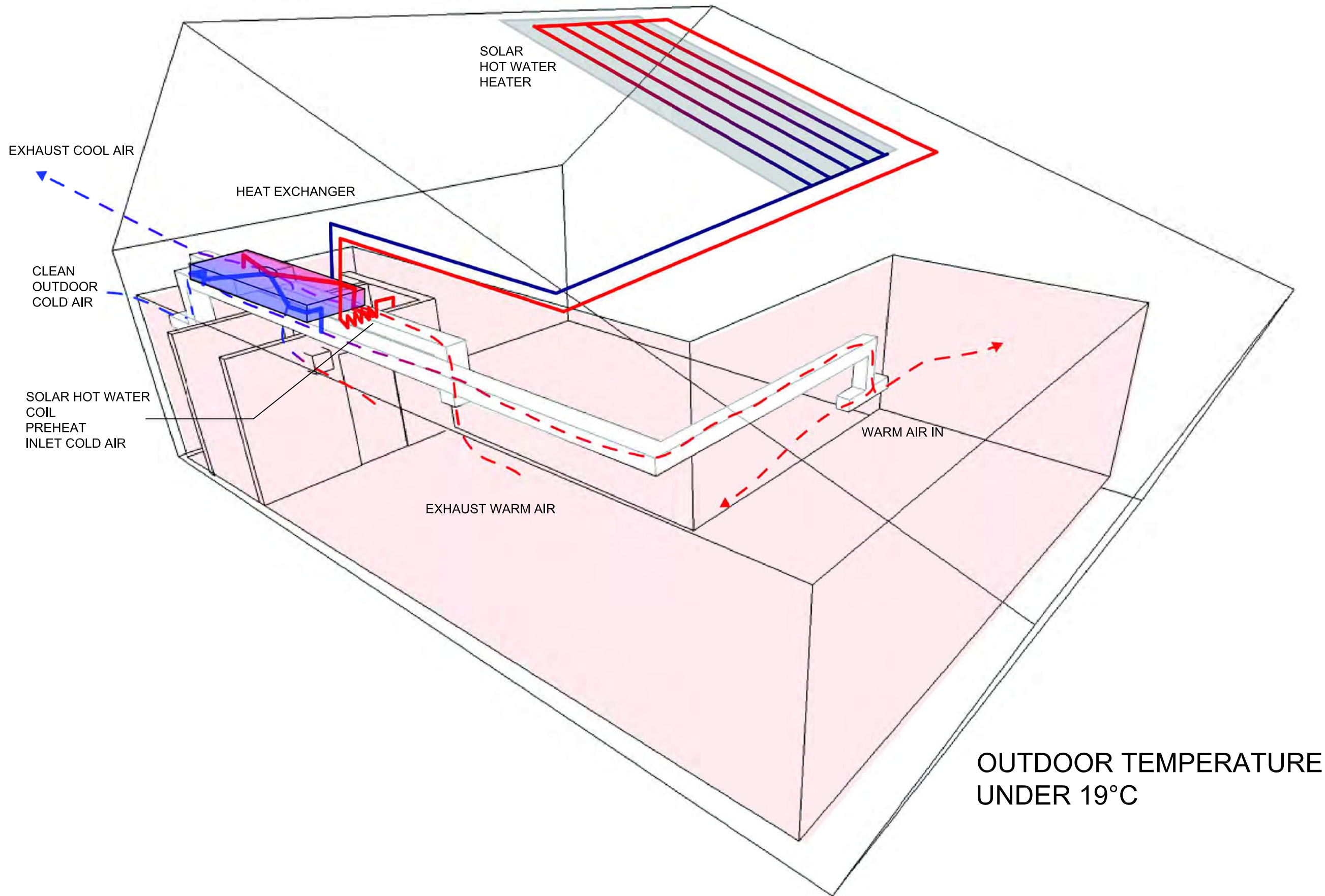
DWG. No.

BA-020





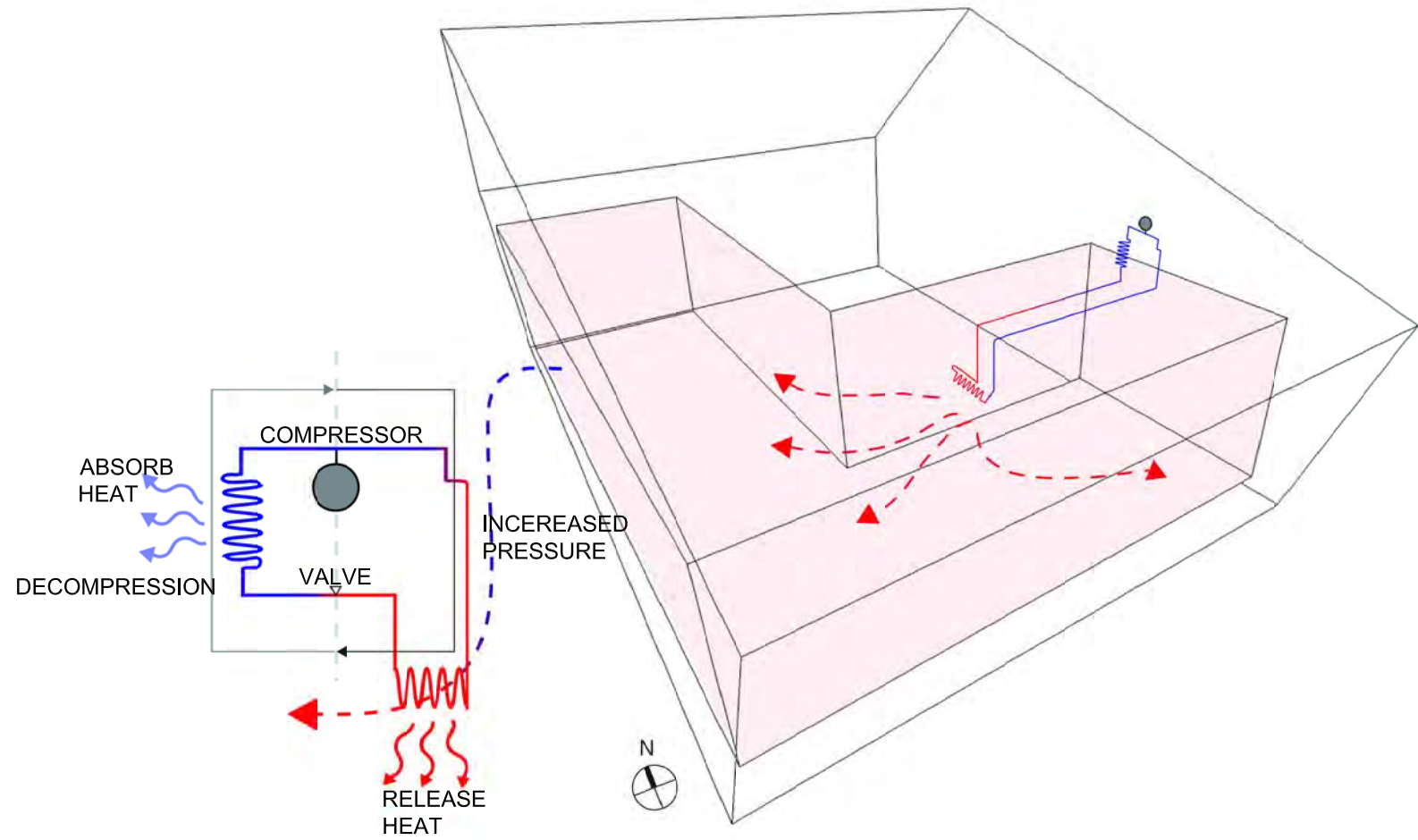
Mark	Date	Description
DN	2013/04/01	SD Submission
DN	2013/07/01	DDc Submission
ST	2013/11/01	DD Submission



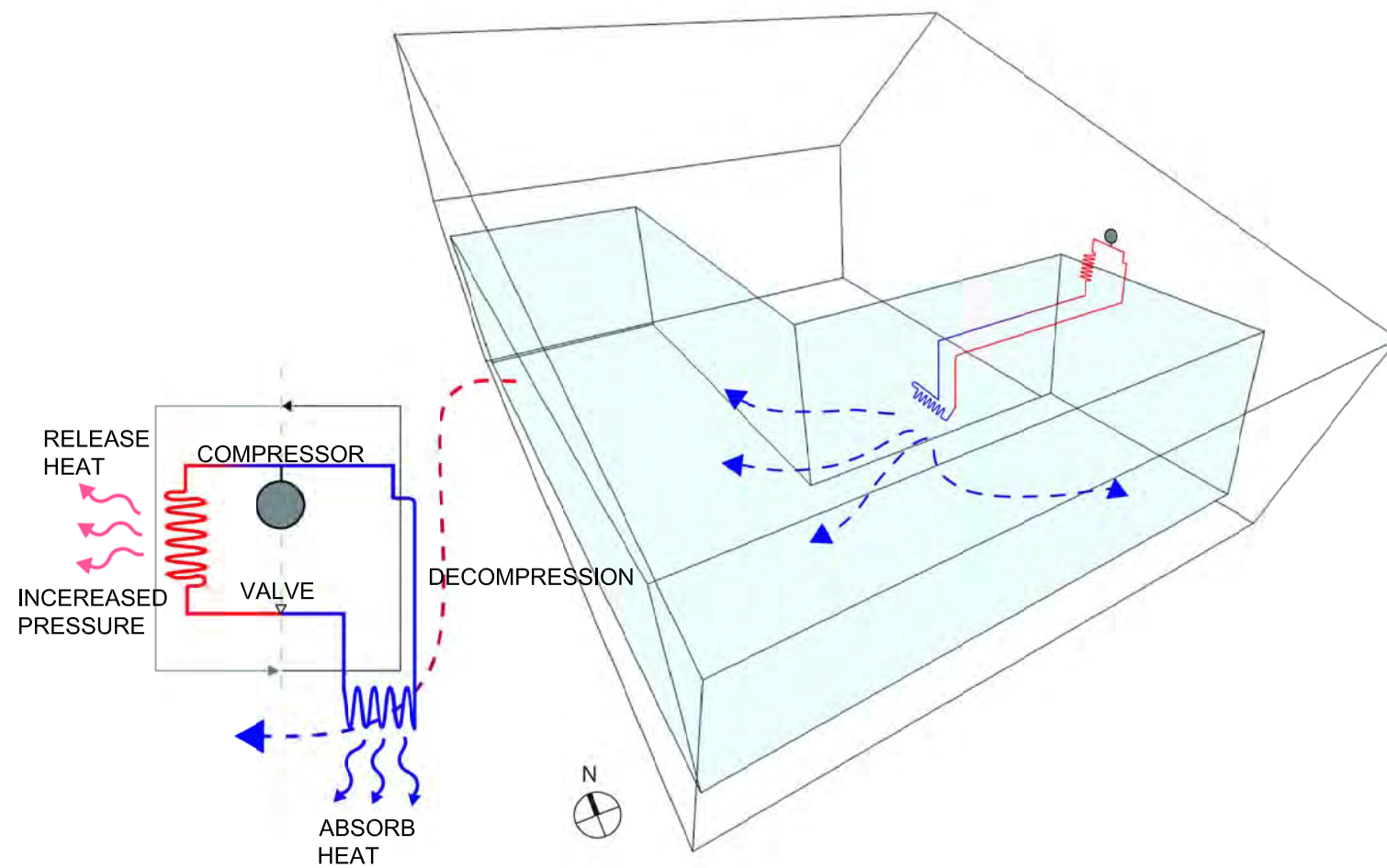
OUTDOOR TEMPERATURE UNDER 19°C



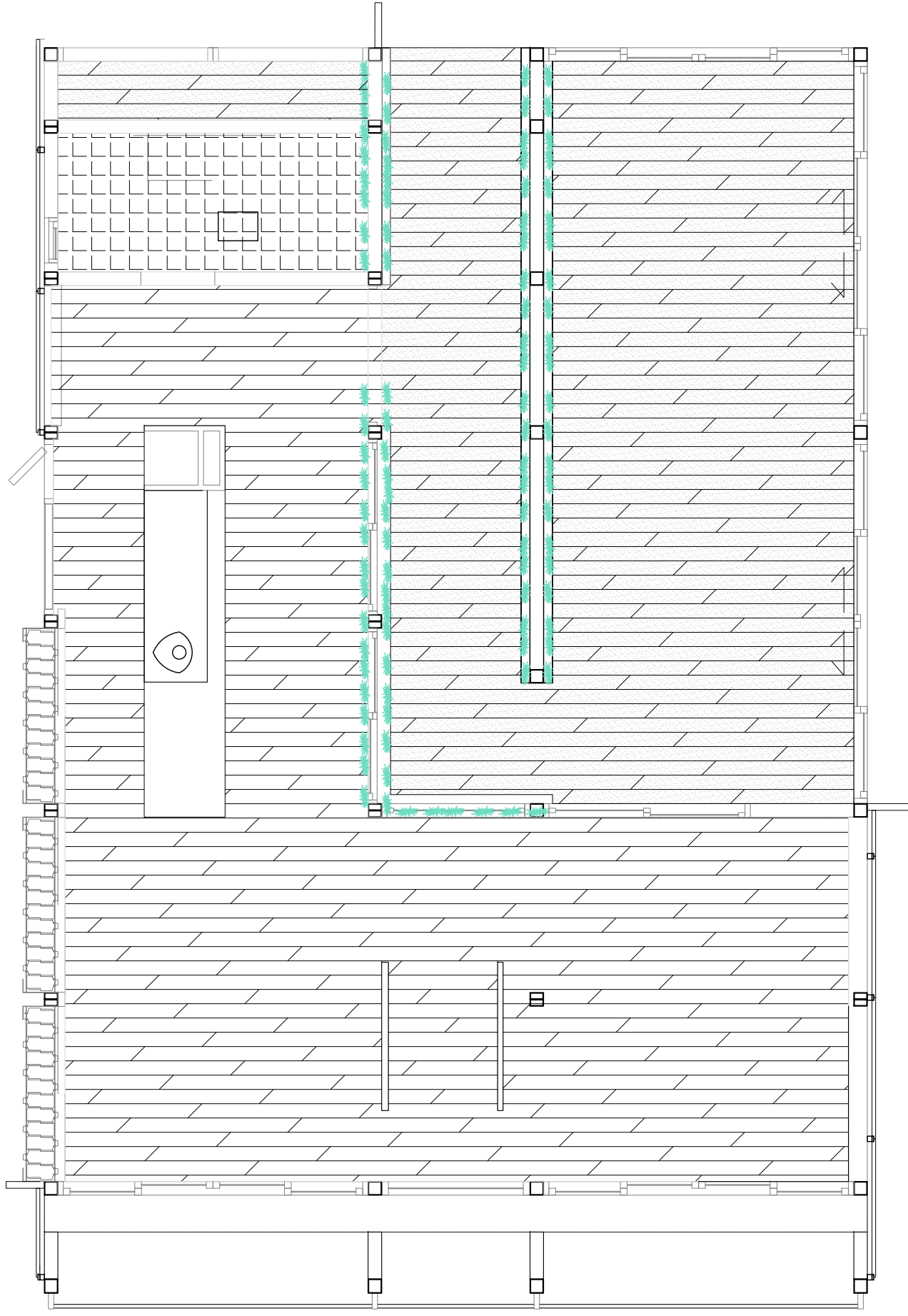
Mark	Date	Description
DN	2013/04/01	SD Submission
DN	2013/07/01	DDc Submission
ST	2013/11/01	DD Submission



HEAT PUMP HEATING



HEAT PUMP COOLING



LEGEND

HATCH TYP	FLOOR TYPE	AREA
	UA Floor :R1621	40.38m ²
	Wood Plastic Composites	54.46m ²
	CHAMPION:R3132	5.32m ²



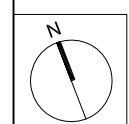
NCTU Architecture
國立交通大學建築研究所

Team Name: NCTU/UNICODE
Address: 1001 Ta-Hsueh Road
Hsinchu City 30010
Taiwan
Contact: www.sde.tw



Consultants:

Note:



Mark	Date	Description
DN	2013/04/01	SD Submission
DN	2013/07/01	DDc Submission
ST	2013/11/01	DD Submission

Drawn by: TW

Checked by: DN

Scale: 1:60

Unit: mm

DWG. Title

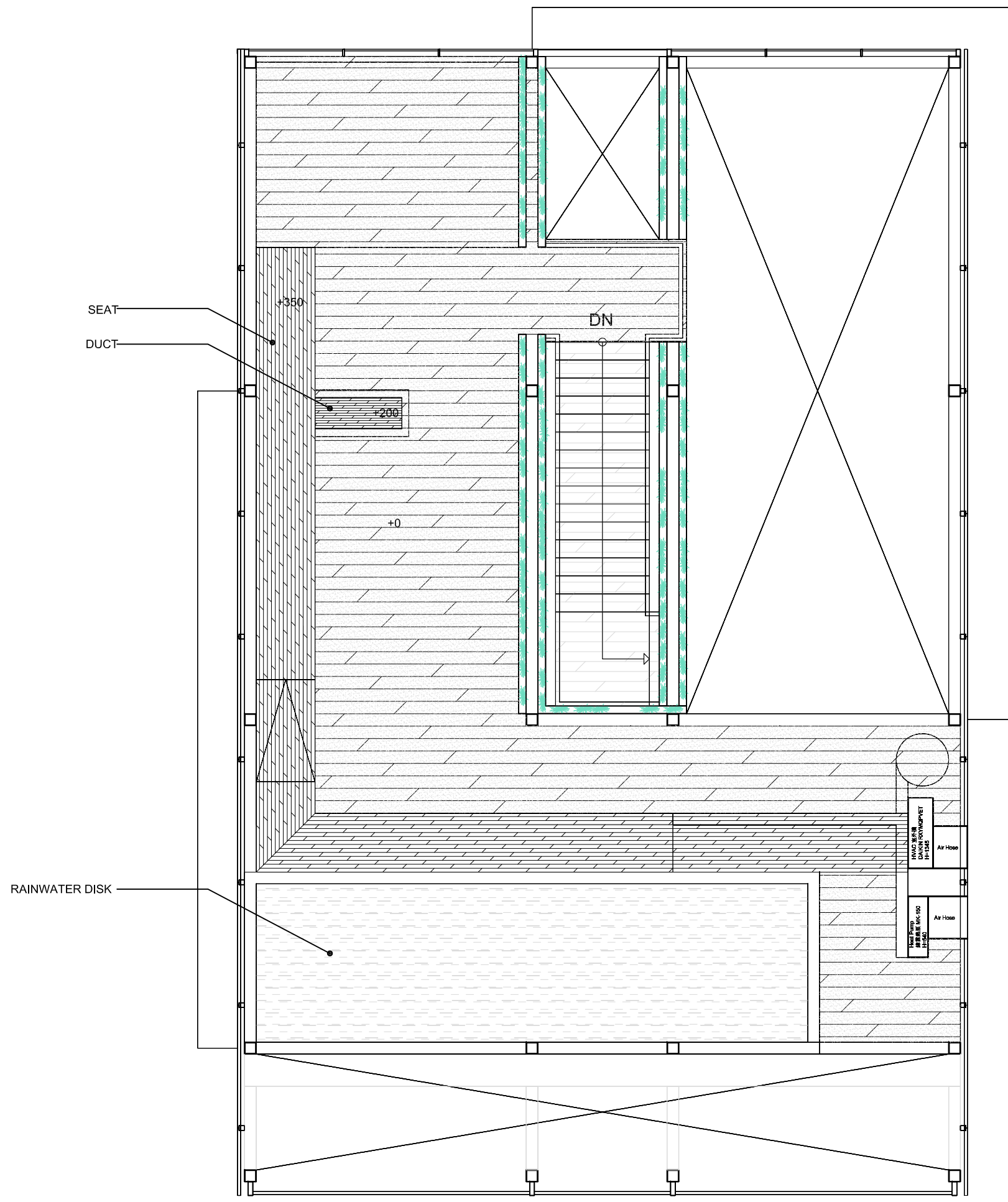
GROUND LEVEL FLOOR

DWG. No.

IN-001

1

2



LEGEND

HATCH TYP	FLOOR TYPE	AREA
	Wood Plastic Composites	39m ²
	Solid Wood	12.12m ²
	Stainless Steel	14.28m ²



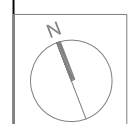
NCTU Architecture
國立交通大學建築研究所

Team Name: NCTU/UNICODE
Address: 1001 Ta-Hsueh Road
Hsinchu City 30010
Taiwan
Contact: www.sde.tw



Consultants:

Note:



Mark	Date	Description
DN	2013/04/01	SD Submission
DN	2013/07/01	DDc Submission
ST	2013/11/01	DD Submission

Drawn by	TW
Checked by	DN
Scale	1:60
Unit	mm

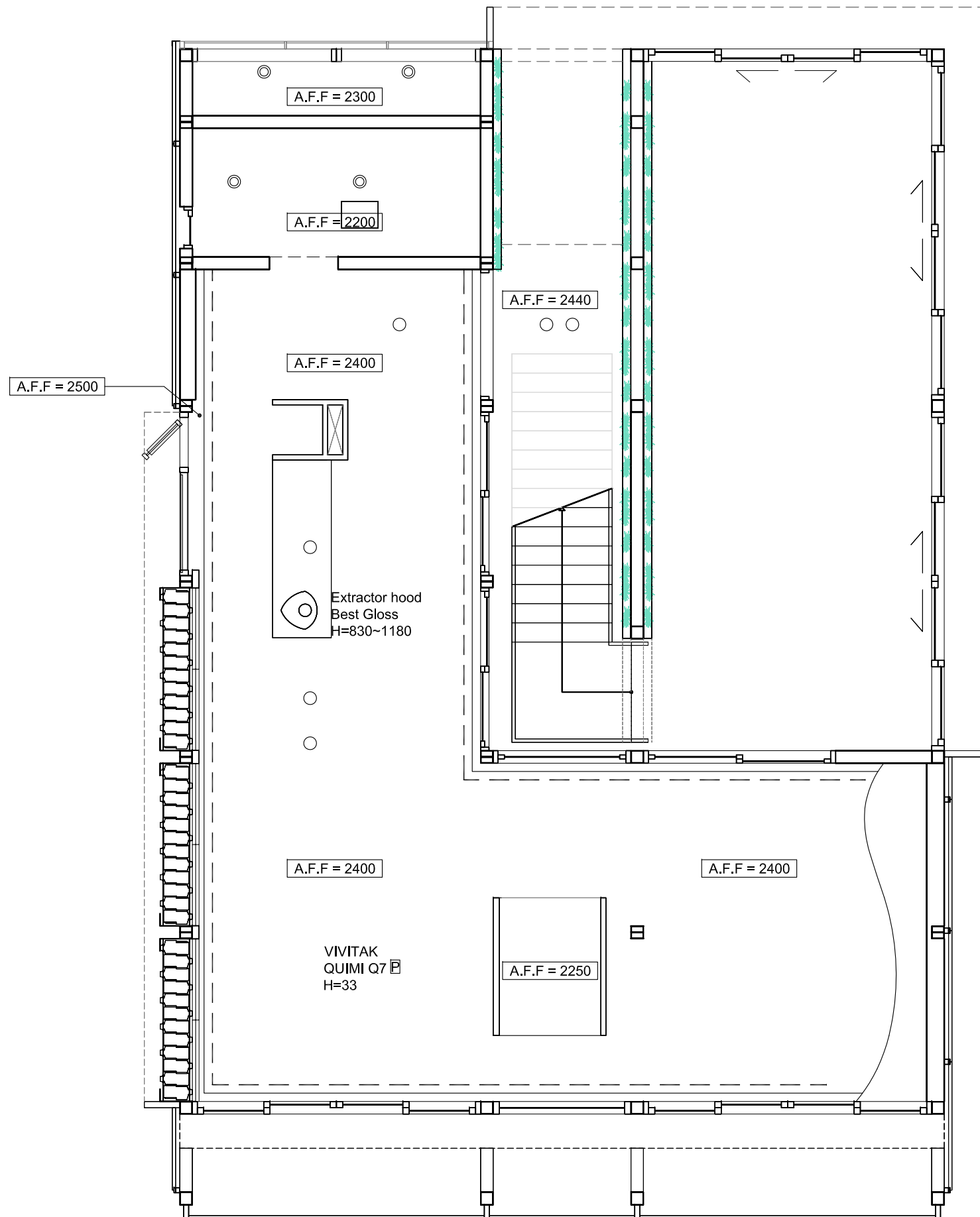
DWG. Title
MEZZANINE LEVEL FLOOR

DWG. No.
IN-002



1

2



LEGEND

HATCH TYP	TYPE
○	DOWN LIGHT
⊙	WATERPROOFED DOWN LIGHT
---	LED STRIP LIGHT



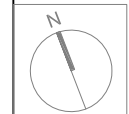
NCTU Architecture
國立交通大學建築研究所

Team Name: NCTU/UNICODE
Address: 1001 Ta-Hsueh Road
Hsinchu City 30010
Taiwan
Contact: www.sde.tw



Consultants:

Note:



Mark	Date	Description
DN	2013/04/01	SD Submission
DN	2013/07/01	DDc Submission
ST	2013/11/01	DD Submission

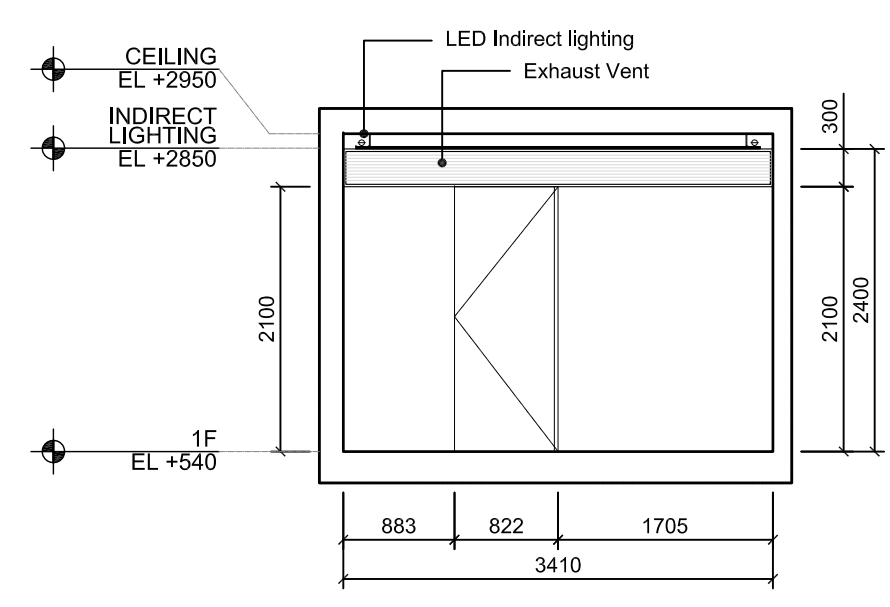
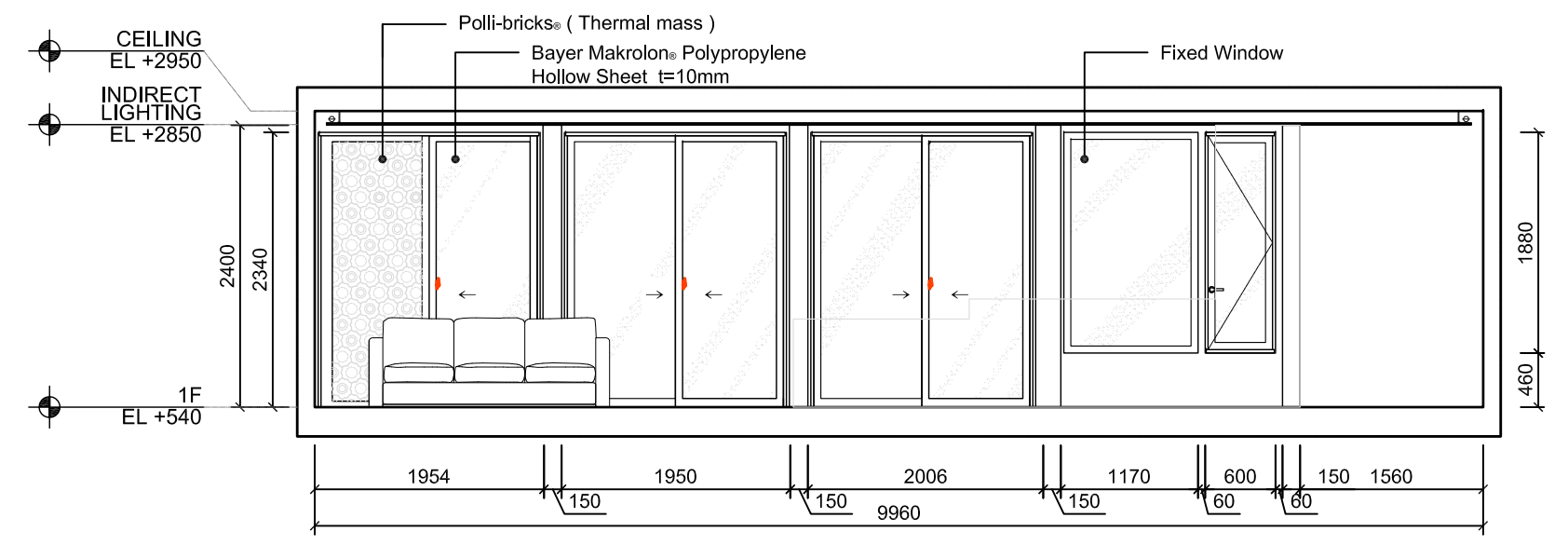
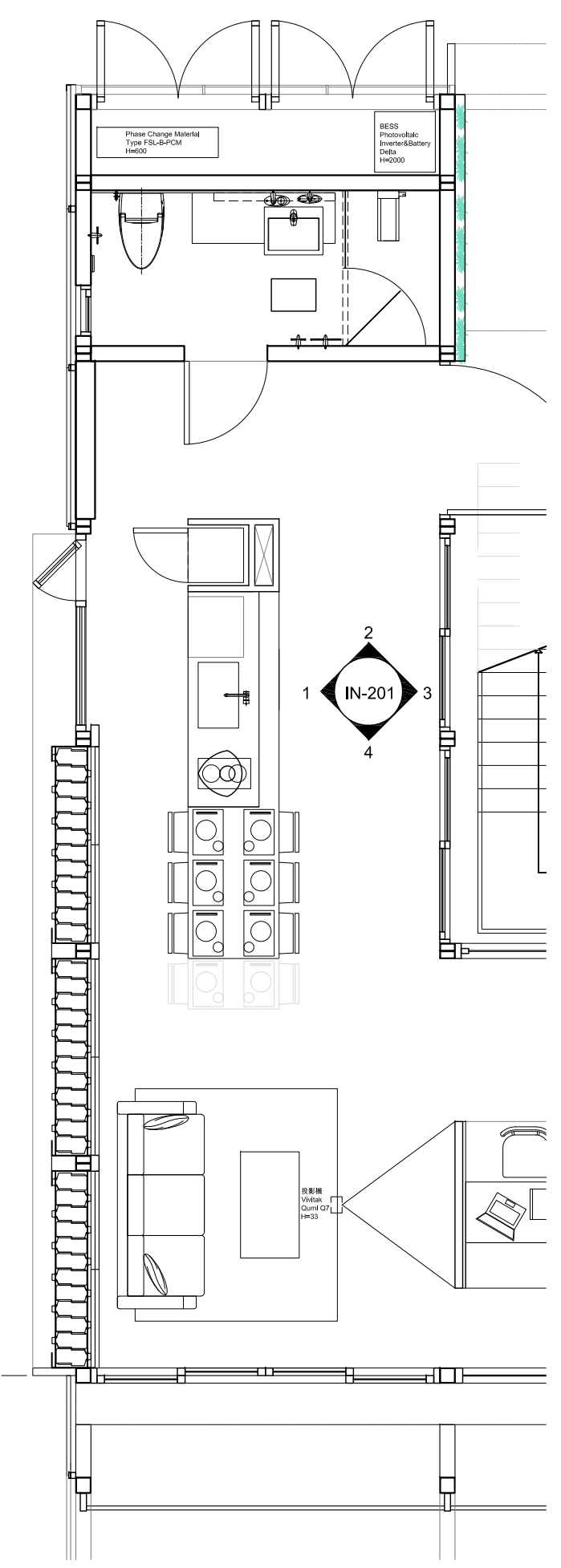
Drawn by	TW
Checked by	DN
Scale	1:60
Unit	mm

DWG. Title

REFLECTED CEILING

DWG. No.

IN-101



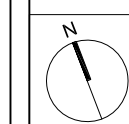
NCTU Architecture
國立交通大學建築研究所

Team Name: NCTU/UNICODE
Address: 1001 Ta-Hsueh Road
Hsinchu City 30010
Taiwan
Contact: www.sde.tw



Consultants:

Note:

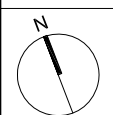


Mark	Date	Description
DN	2013/04/01	SD Submission
DN	2013/07/01	DDc Submission
ST	2013/11/01	DD Submission

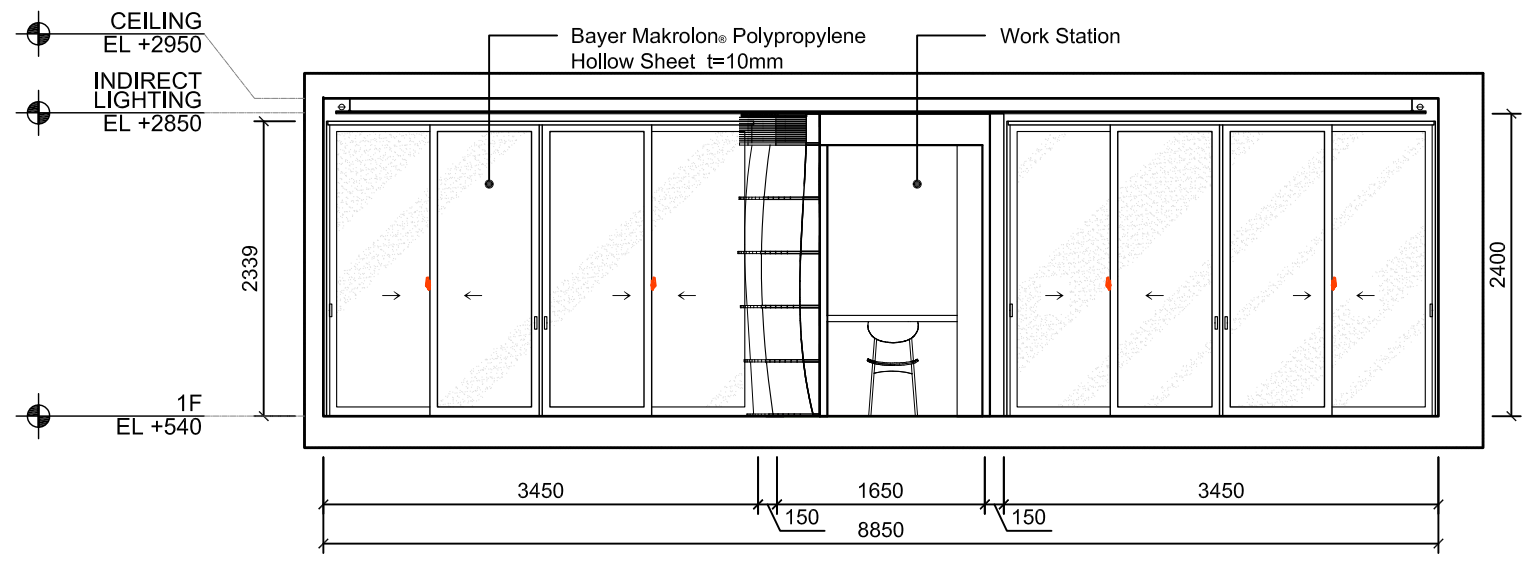
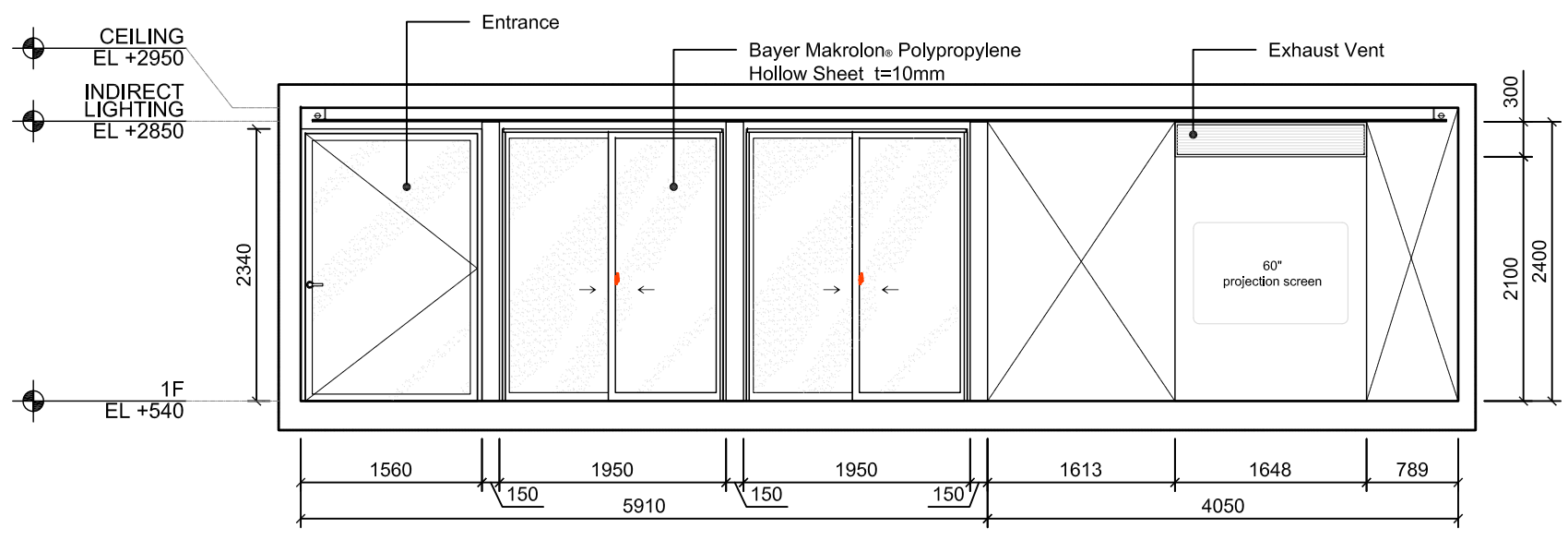
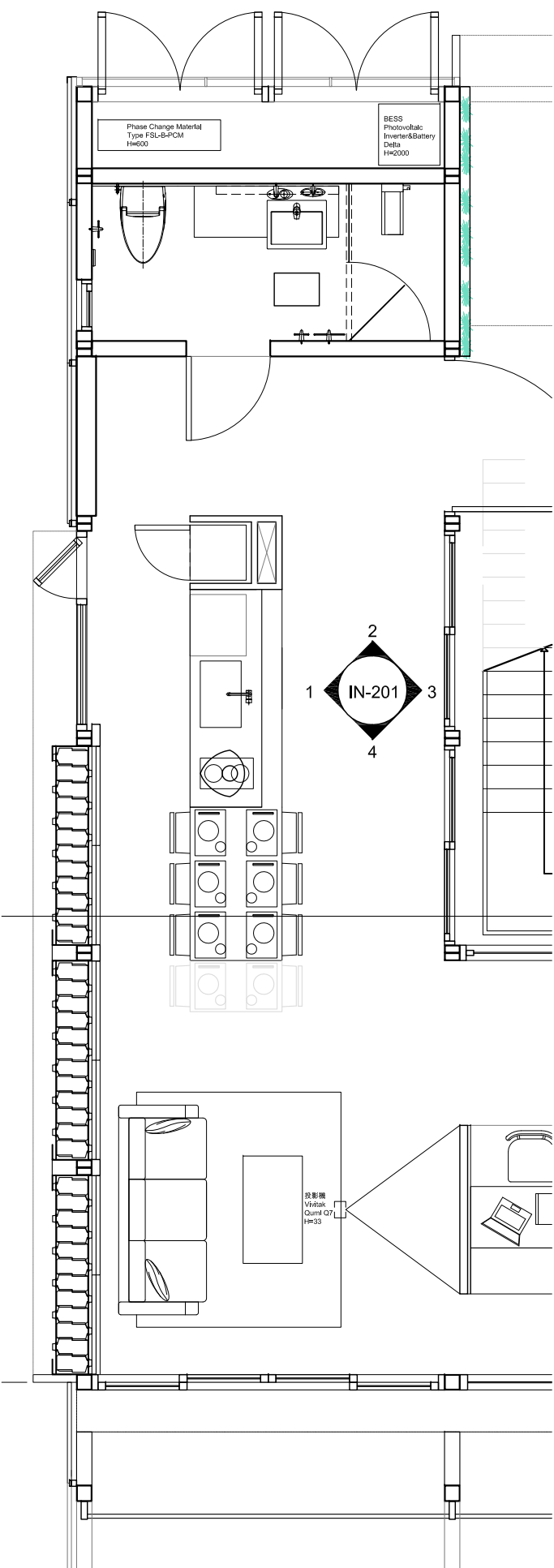
Drawn by	TW
Checked by	DN
Scale	1:60
Unit	mm

DWG. Title
INTERIOR ELEVATIONS 1

DWG. No.
IN-201

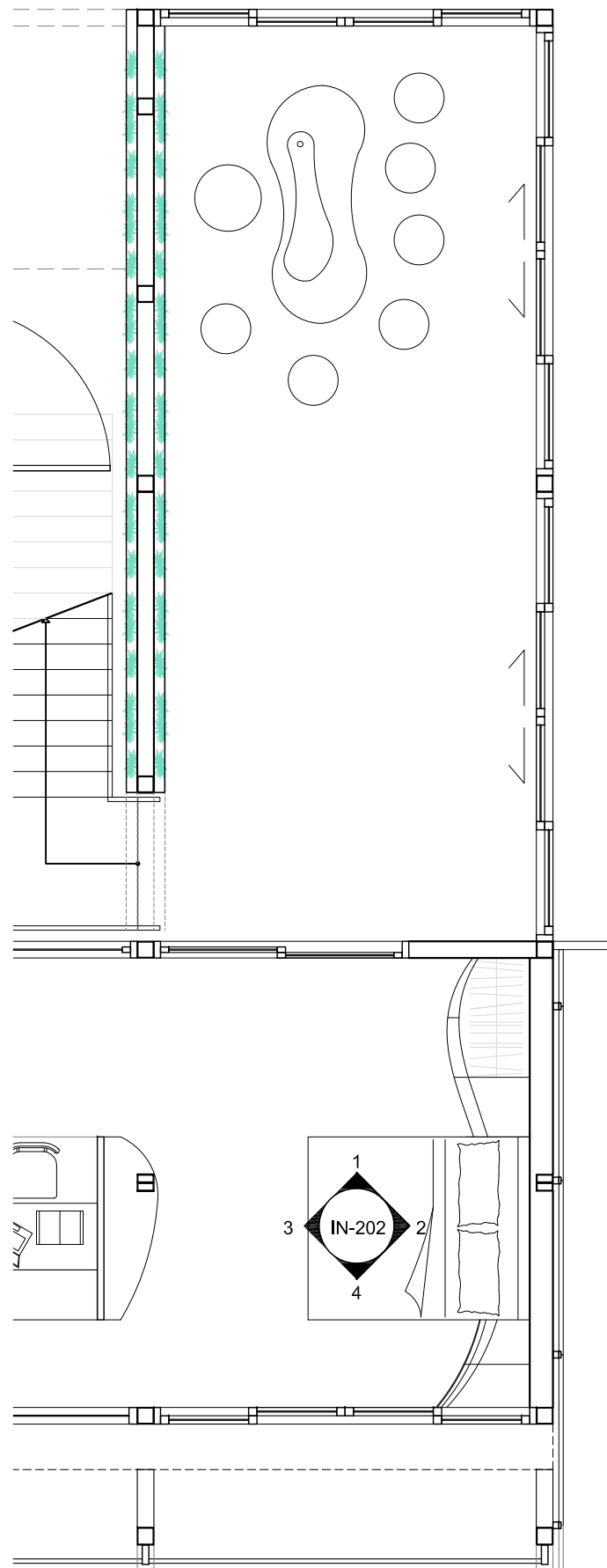


Mark	Date	Description
DN	2013/04/01	SD Submission
DN	2013/07/01	DD Submission
ST	2013/11/01	DD Submission

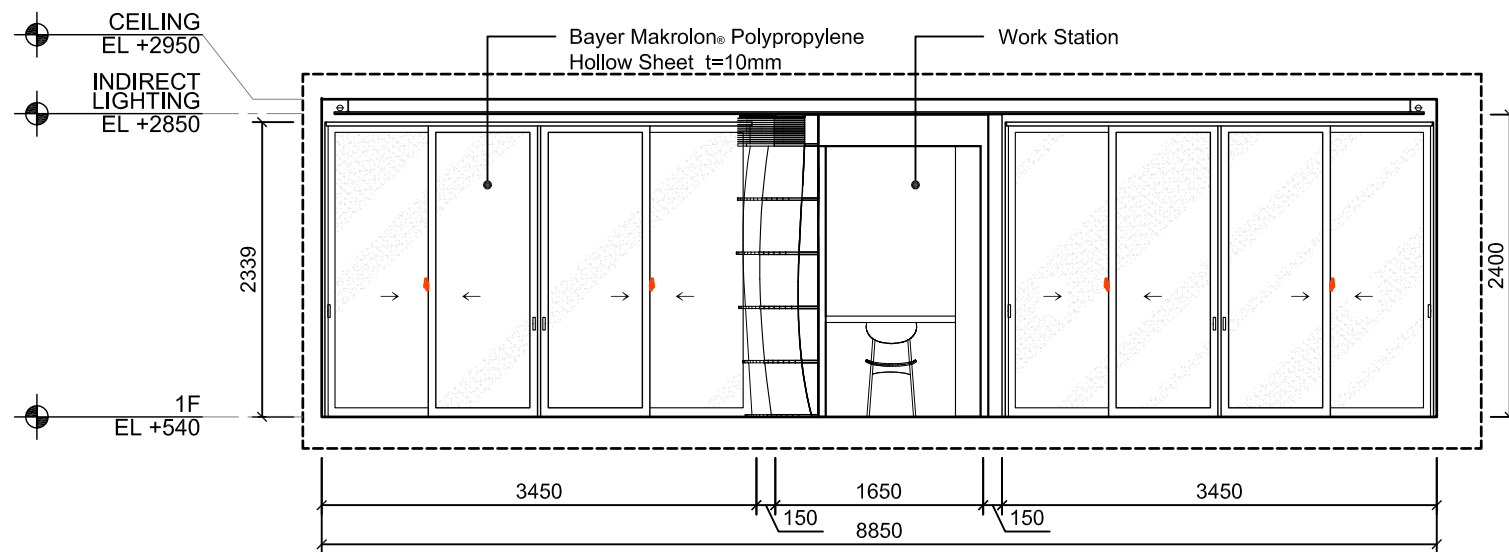
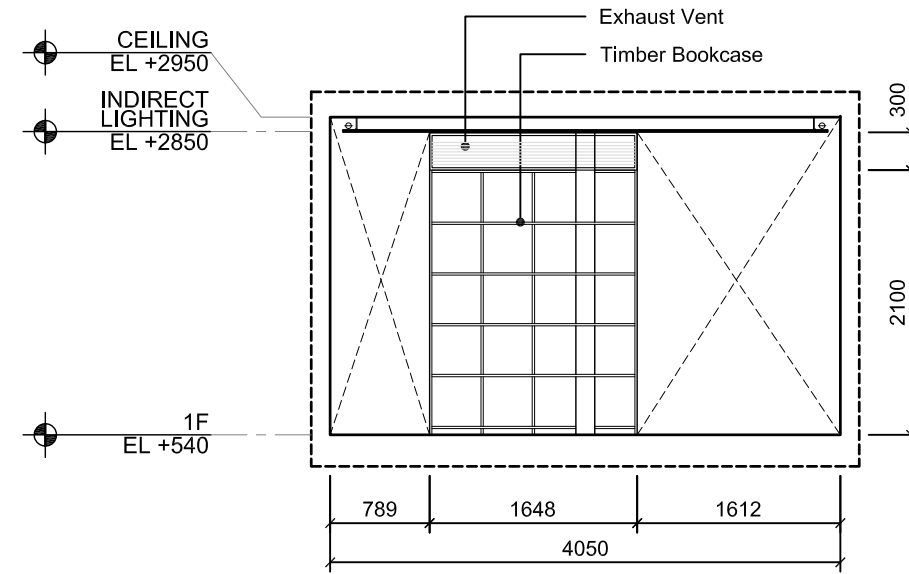
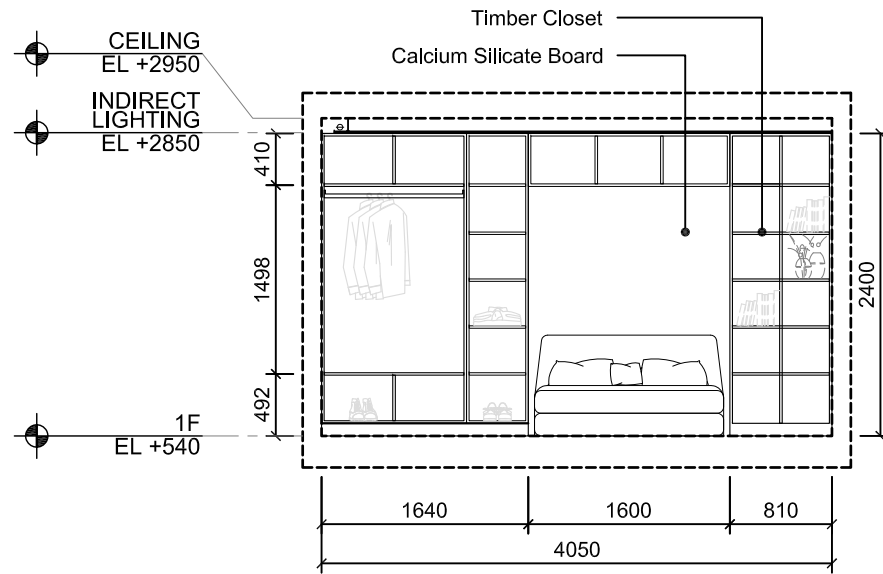
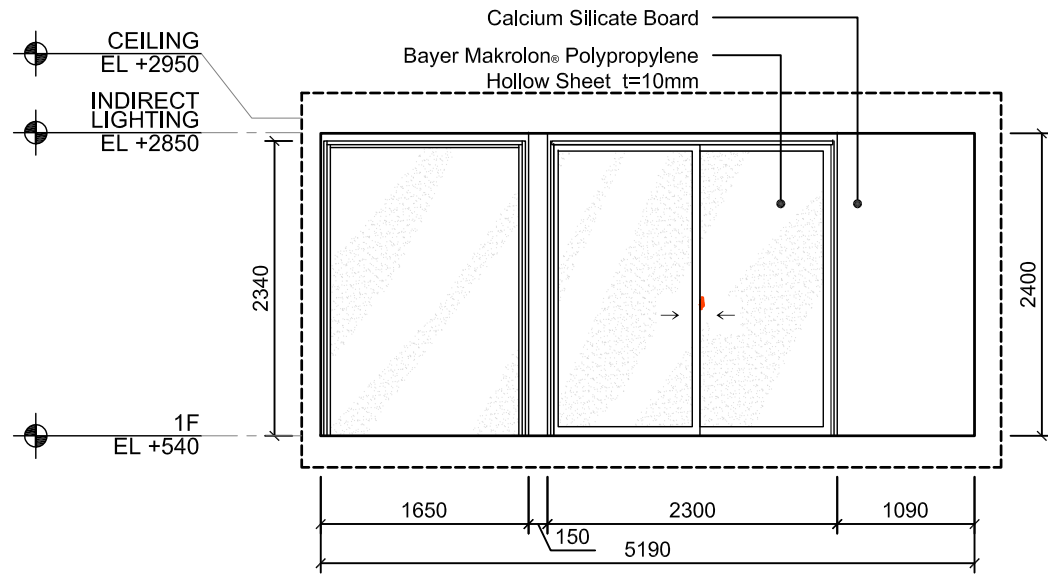


1

2



0 1 2 5 METER



Project:



Institution:



NCTU Architecture
國立交通大學建築研究所

Team Name:

NCTU/UNICODE

Address:

1001 Ta-Hsueh Road
Hsinchu City 30010
Taiwan

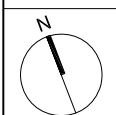
Contact:

www.sde.tw



Consultants:

Note:



Mark	Date	Description
DN	2013/04/01	SD Submission
DN	2013/07/01	DDc Submission
ST	2013/11/01	DD Submission

Drawn by

TW

Checked by

DN

Scale

1:60

Unit

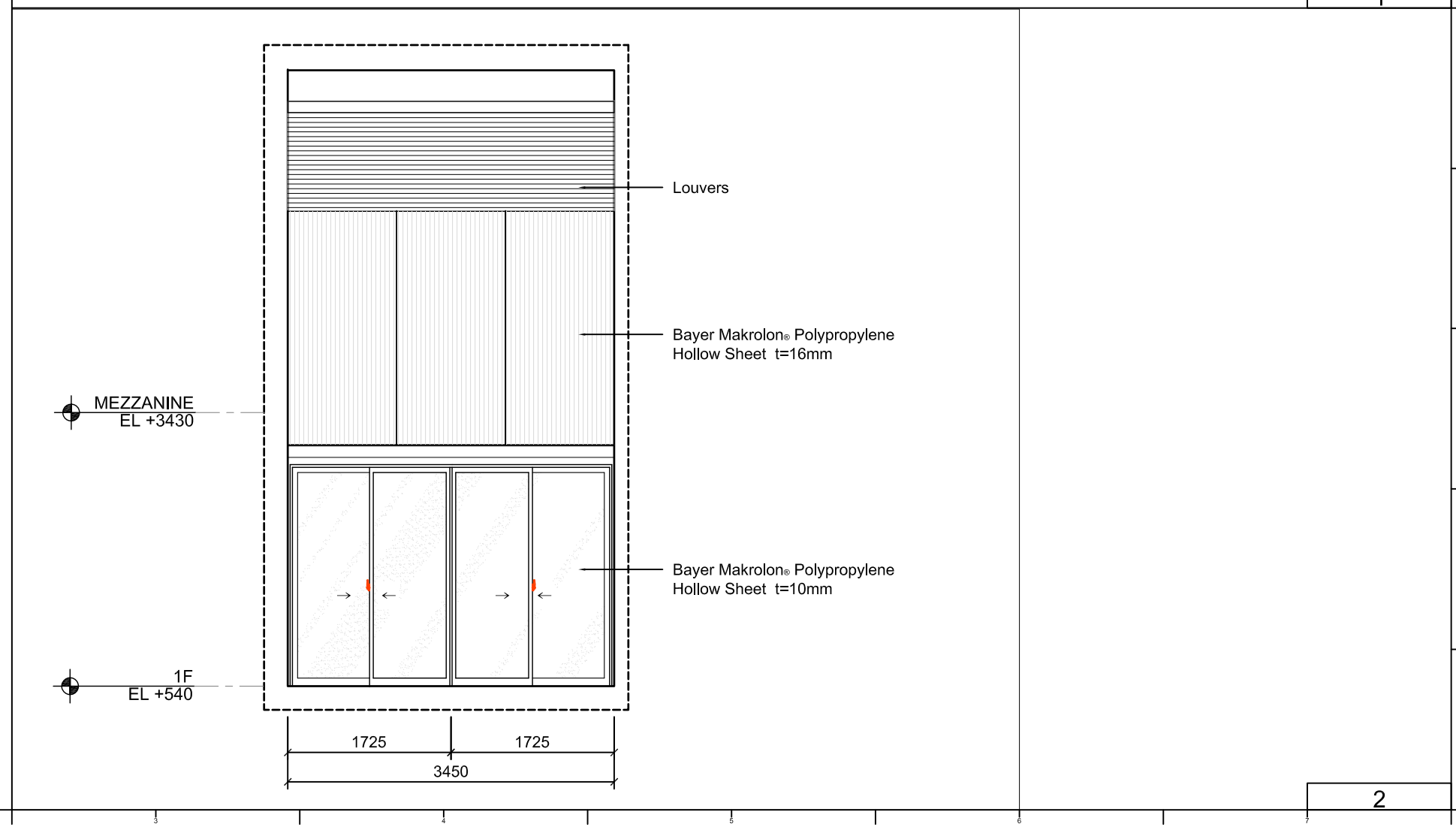
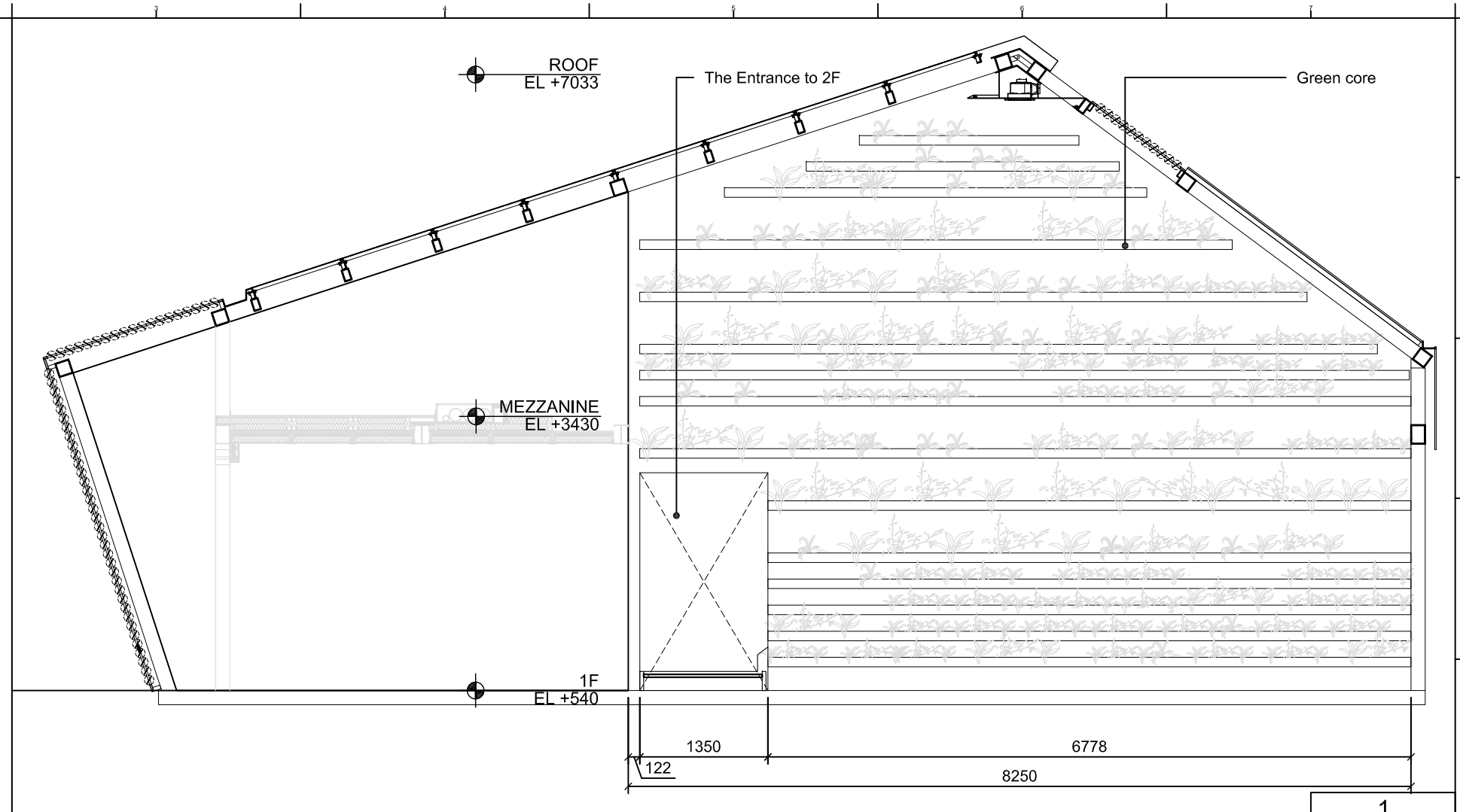
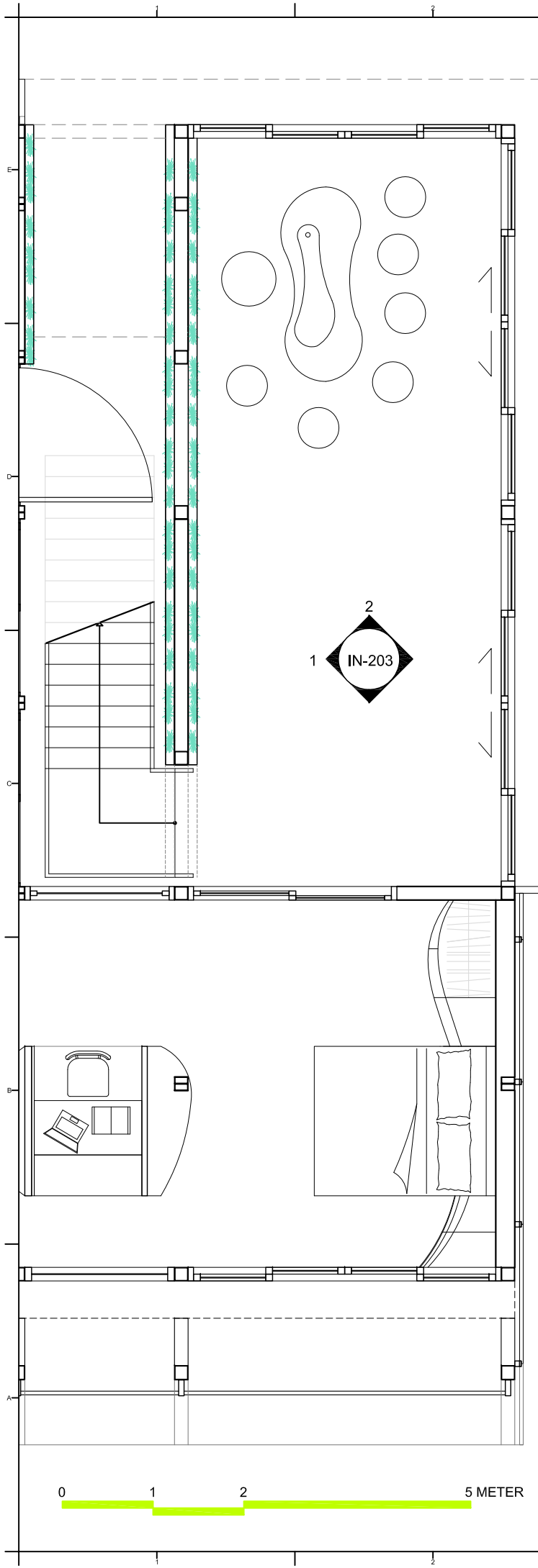
mm

DWG. Title

INTERIOR ELEVATIONS 3

DWG. No.

IN-203



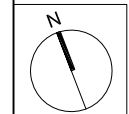
NCTU Architecture
國立交通大學建築研究所

Team Name: NCTU/UNICODE
Address: 1001 Ta-Hsueh Road
Hsinchu City 30010
Taiwan
Contact: www.sde.tw



Consultants:

Note:



Mark	Date	Description
DN	2013/04/01	SD Submission
DN	2013/07/01	DDc Submission
ST	2013/11/01	DD Submission

Drawn by	TW
Checked by	DN
Scale	1:60
Unit	mm

DWG. Title
INTERIOR ELEVATIONS 4

DWG. No.
IN-204

Project:



Institution:



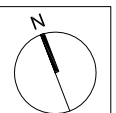
NCTU Architecture
國立交通大學建築研究所

Team Name: NCTU/UNICODE
Address: 1001 Ta-Hsueh Road
Hsinchu City 30010
Taiwan
Contact: www.sde.tw



Consultants:

Note:



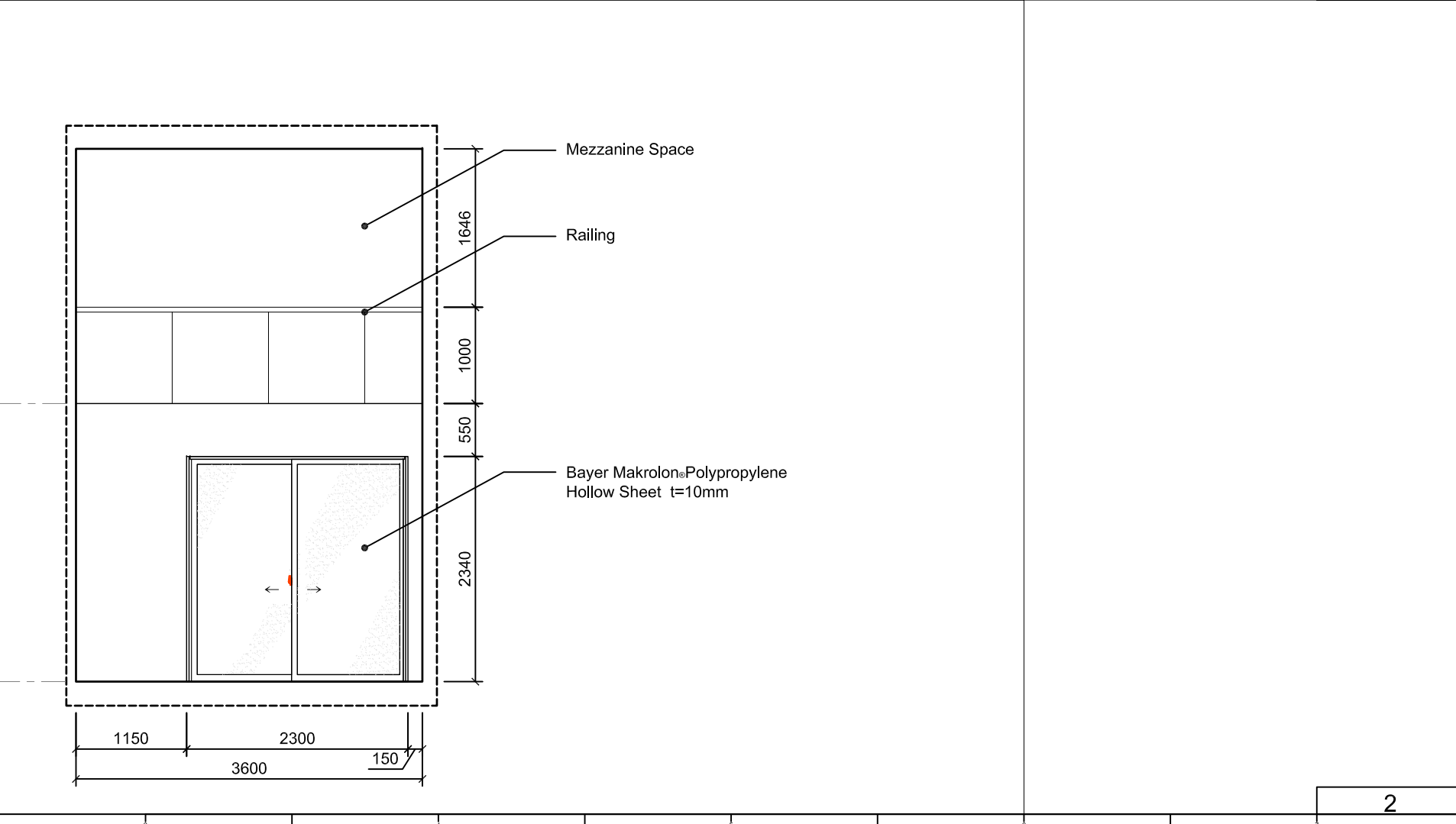
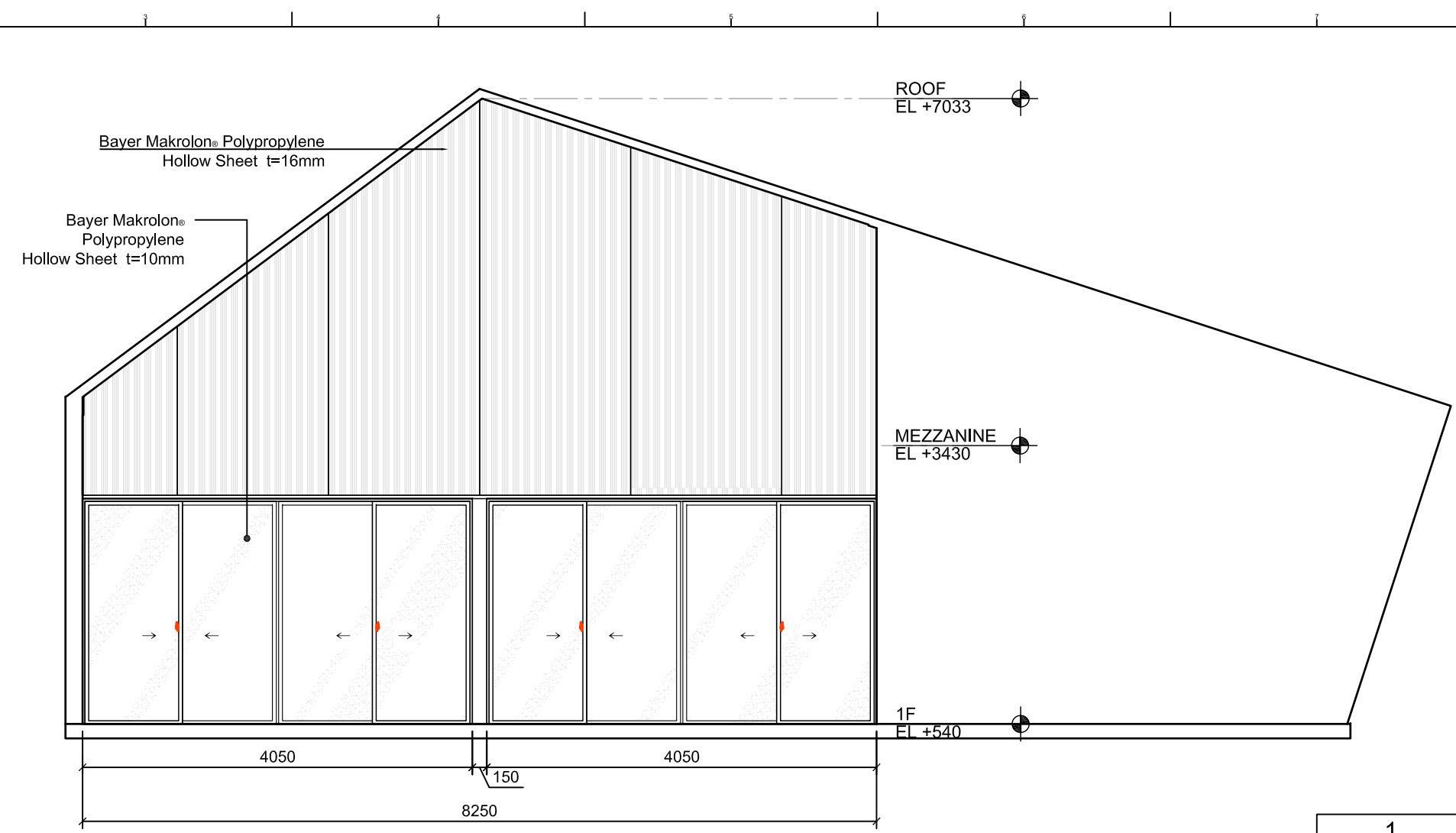
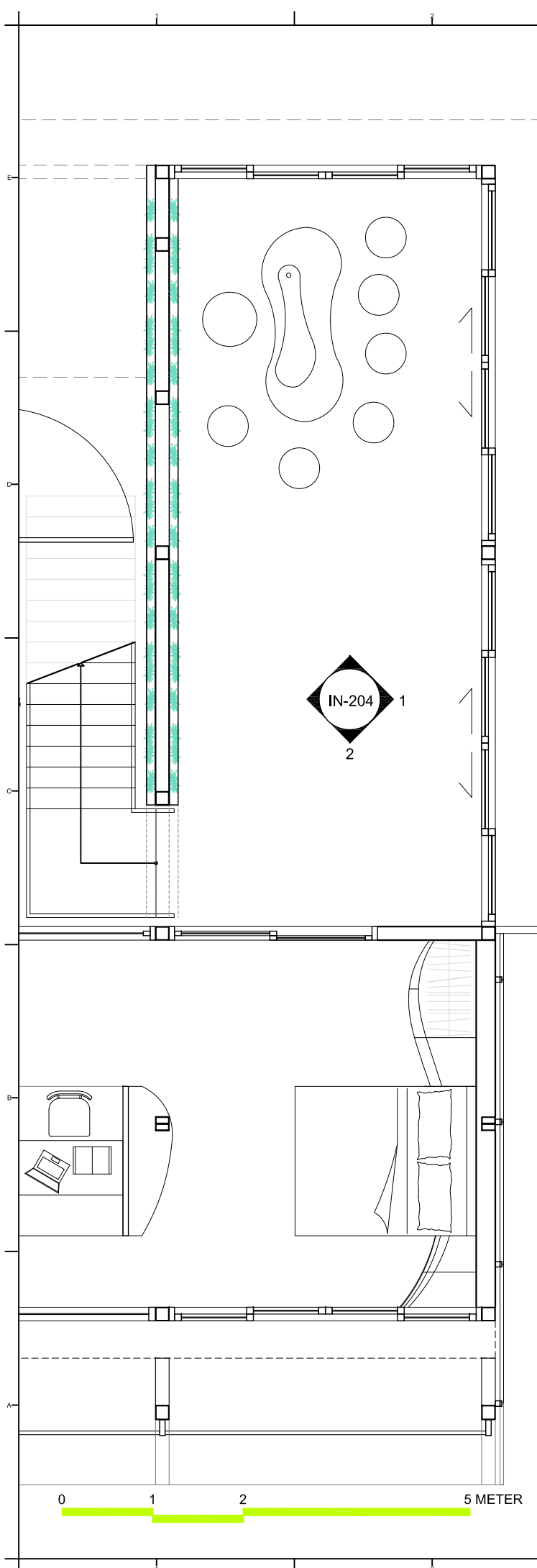
Mark	Date	Description
DN	2013/04/01	SD Submission
DN	2013/07/01	DDc Submission
ST	2013/11/01	DD Submission

Drawn by	TW
Checked by	DN
Scale	1:60
Unit	mm

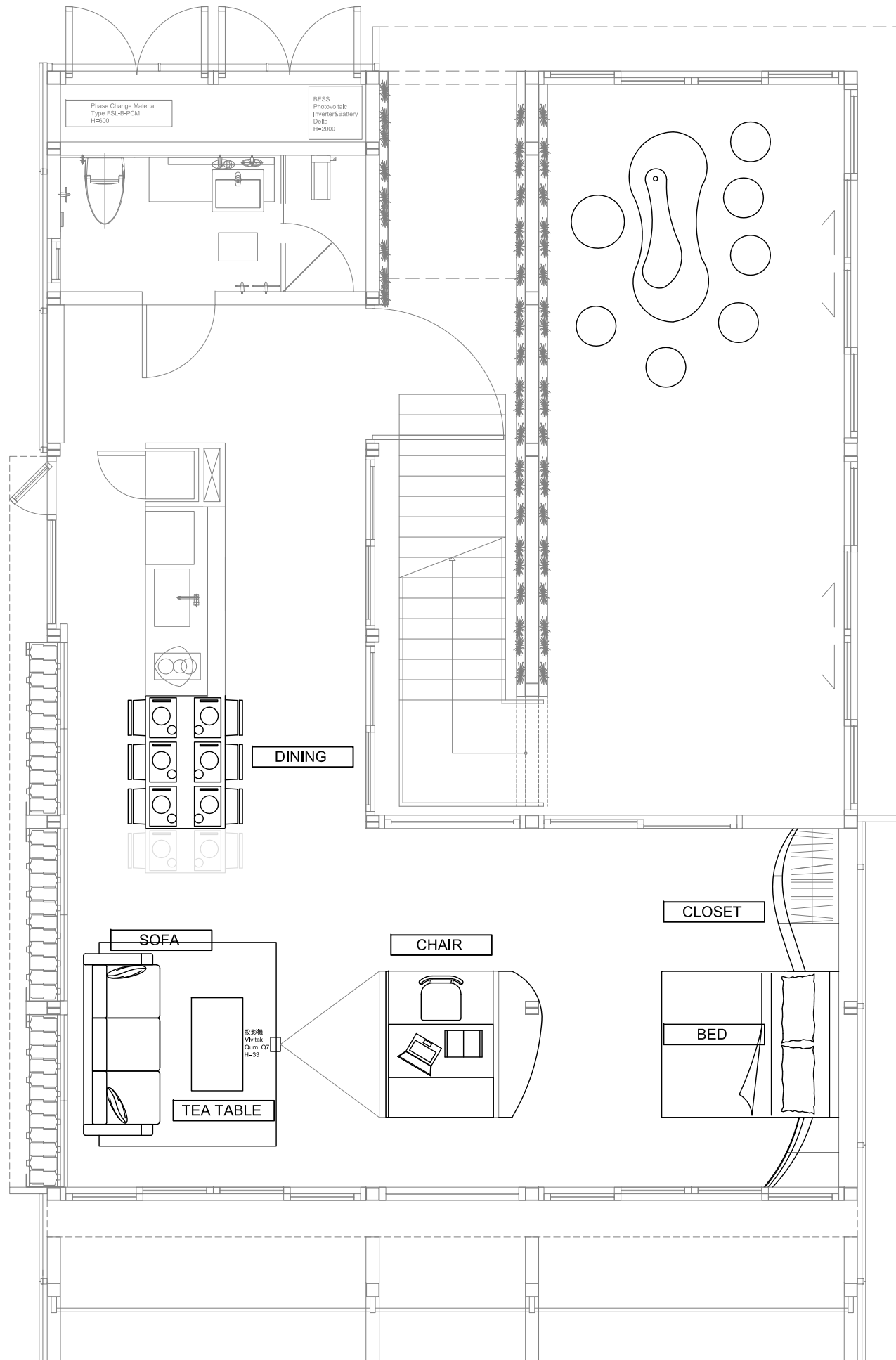
DWG. Title
INTERIOR ELEVATIONS 5

DWG. No.

IN-205



2



FURNITURE LIST

TYPE	IMAGE	SIZE(L*W*H) mm
DINING CHAIR		430*420*760 (seat height:430)
SOFA		2050*860*760 (seat height:380)
TEA TABLE		1050*580*380
BED		1910*2040*950
WORK CHAIR		580*610*720 (seat height:410)
CLOSET	SEE DWG. IN-413	



Project:



Institution:



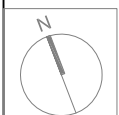
NCTU Architecture
國立交通大學建築研究所

Team Name: NCTU/UNICODE
Address: 1001 Ta-Hsueh Road
Hsinchu City 30010
Taiwan
Contact: www.sde.tw



Consultants:

Note:



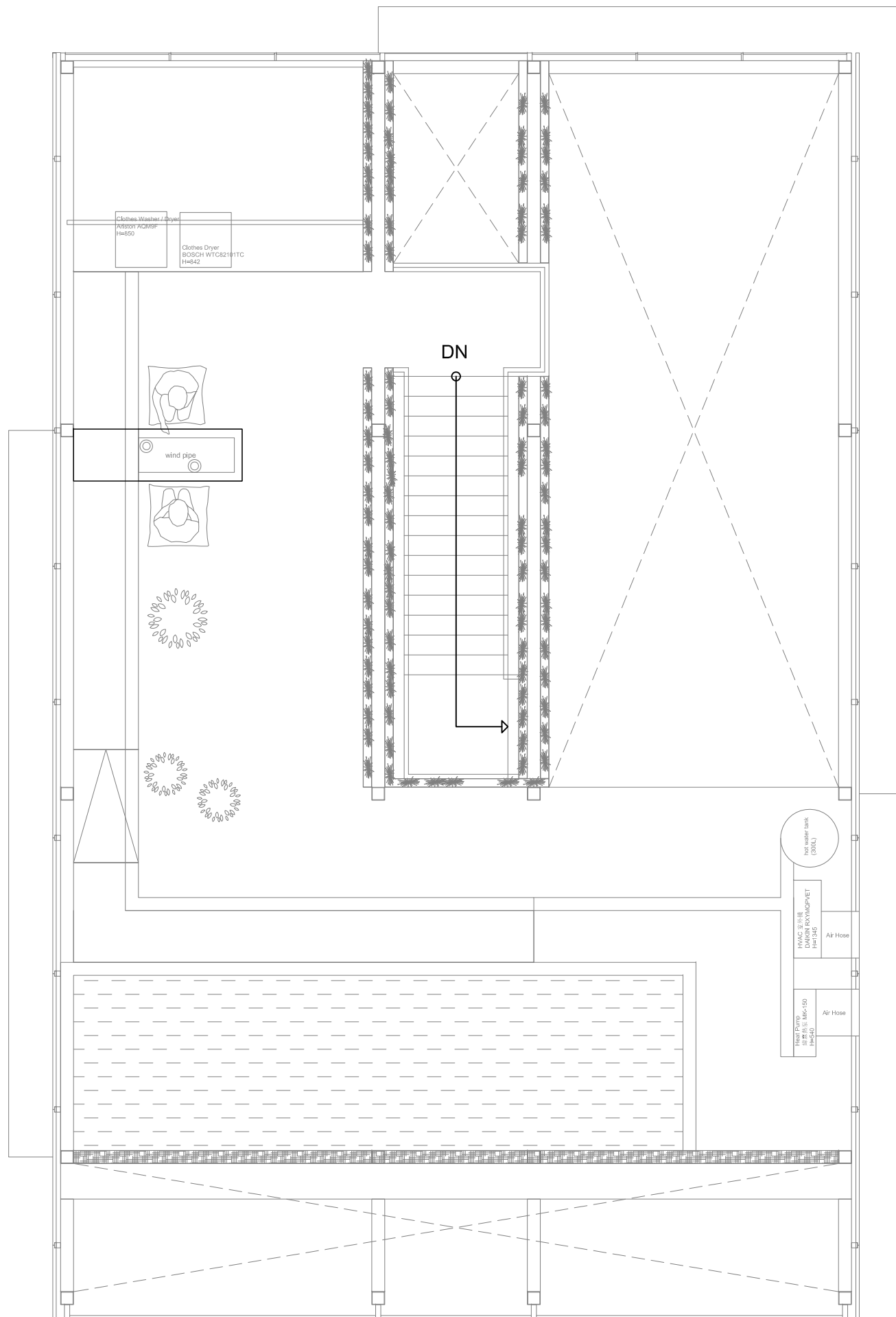
Mark	Date	Description
DN	2013/04/01	SD Submission
DN	2013/07/01	DDc Submission
ST	2013/11/01	DD Submission

Drawn by	TW
Checked by	DN
Scale	1:60
Unit	mm

DWG. Title
GROUND FLOOR FURNISHINGS

DWG. No.
IN-301

0 1 2 5 METER



Project:



Institution:



NCTU Architecture
國立交通大學建築研究所

Team Name: NCTU/UNICODE

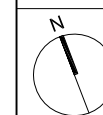
Address: 1001 Ta-Hsueh Road
Hsinchu City 30010
Taiwan

Contact: www.sde.tw



Consultants:

Note:



Mark	Date	Description
DN	2013/04/01	SD Submission
DN	2013/07/01	DDc Submission
ST	2013/11/01	DD Submission

Drawn by TW

Checked by DN

Scale 1:60

Unit mm

DWG. Title

**MEZZANINE FLOOR
FURNISHINGS**

DWG. No.

IN-302

Project:



Institution:



NCTU Architecture
國立交通大學建築研究所

Team Name: NCTU/UNICODE

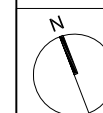
Address: 1001 Ta-Hsueh Road
Hsinchu City 30010
Taiwan

Contact: www.sde.tw



Consultants:

Note:



Mark	Date	Description
DN	2013/04/01	SD Submission
DN	2013/07/01	DDc Submission
ST	2013/11/01	DD Submission

Drawn by JL

Checked by DN

Scale 1:20

Unit mm

DWG. Title

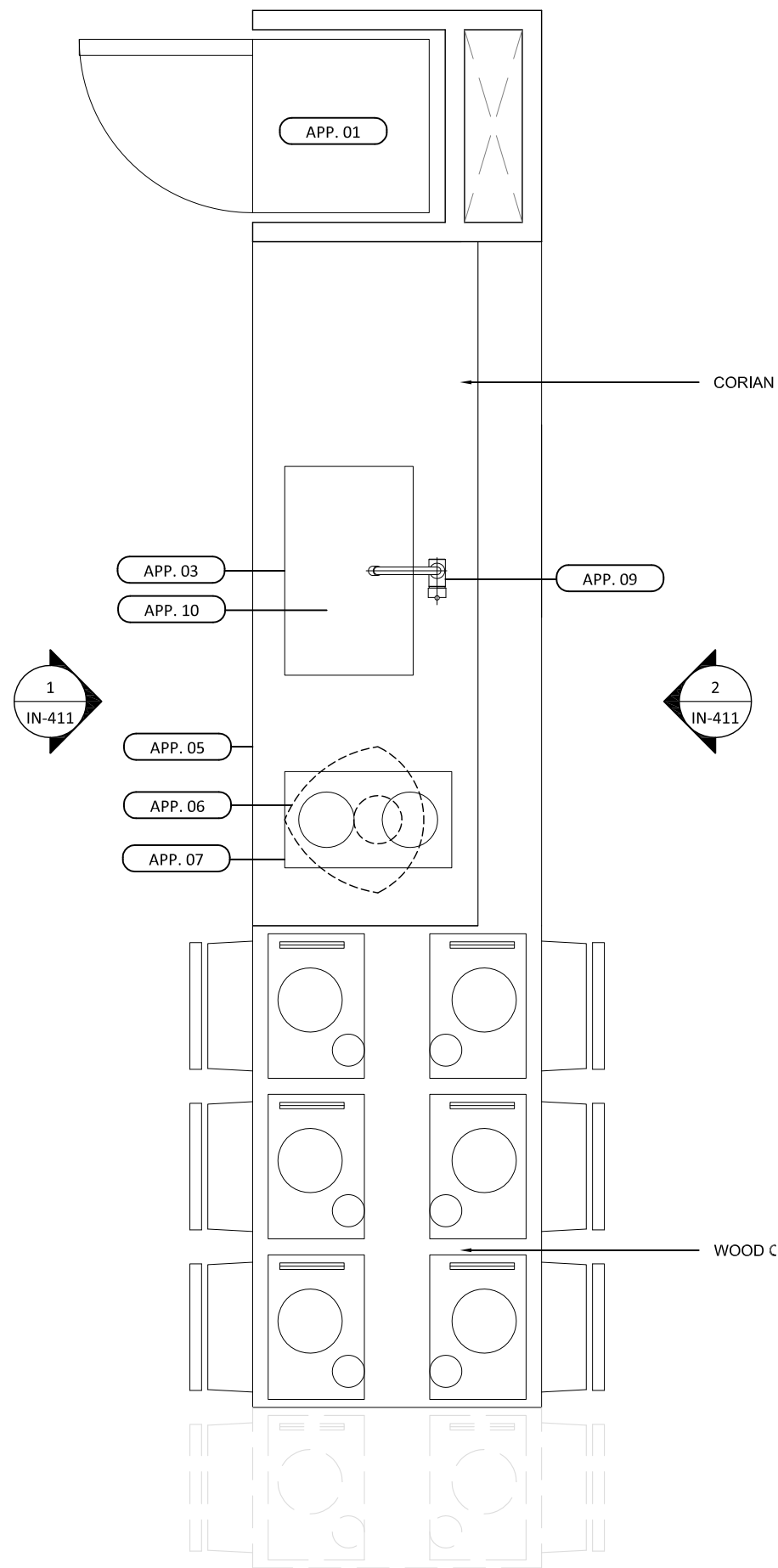
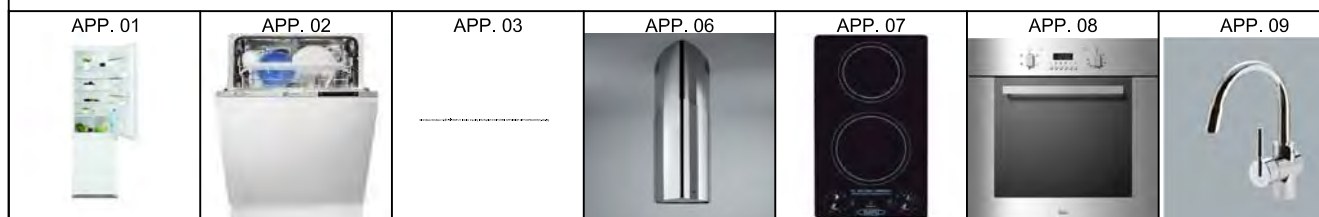
KITCHEN PLAN

DWG. No.

IN-401

APPLIANCE LIST

APP. No	TYPE	BRAND	LOCATION	SIZE (W*D*H)	TYPE	NOTE
APP. 01	REFRIGERATOR	Electrolux	KITCHEN	540x550x1780	ENN2843AOW	
APP. 02	DISH WASHER	Electrolux	KITCHEN	600*600*820	ESL6810RO	
APP. 03	SINK	HCG	KITCHEN	860x460x225	PDL-900S	
APP. 04	CABINET	HCG	KITCHEN	3210x900		
APP. 05	CORIAN	DOPONT	KITCHEN	3210x900		
APP. 06	HOOD	BEST	KITCHEN	900x600	GLOSS	
APP. 07	INDUCTION TOP	HCG	KITCHEN	290x510	RF102	
APP. 08	OVEN	Best	KITCHEN	600x524x600	OV-365	
APP. 09	FAUCET	HCG	KITCHEN	25x215x295	KT580T	
APP. 10	DRAIN	HCG	KITCHEN			

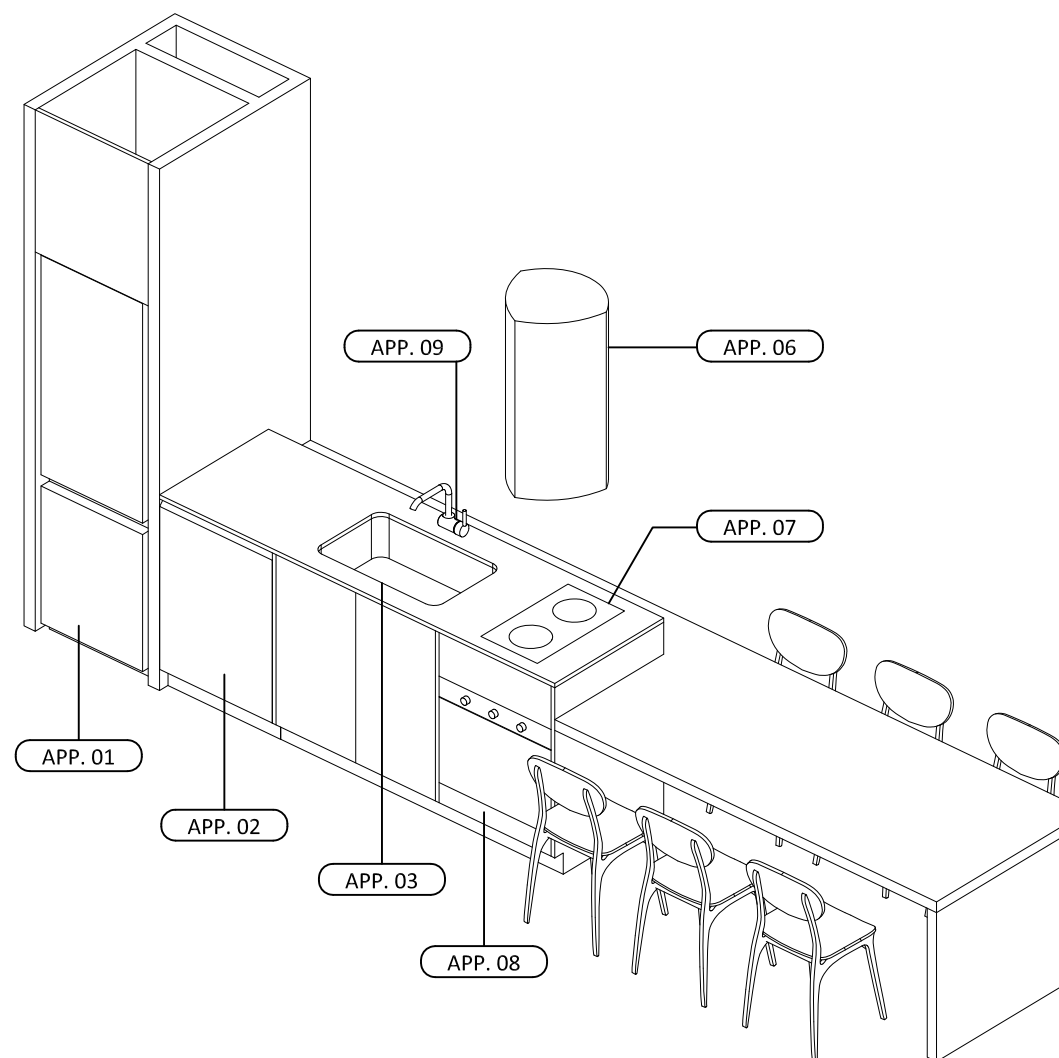


0 0.2 0.4 1 METER

1

0 0.5 1 2 METER

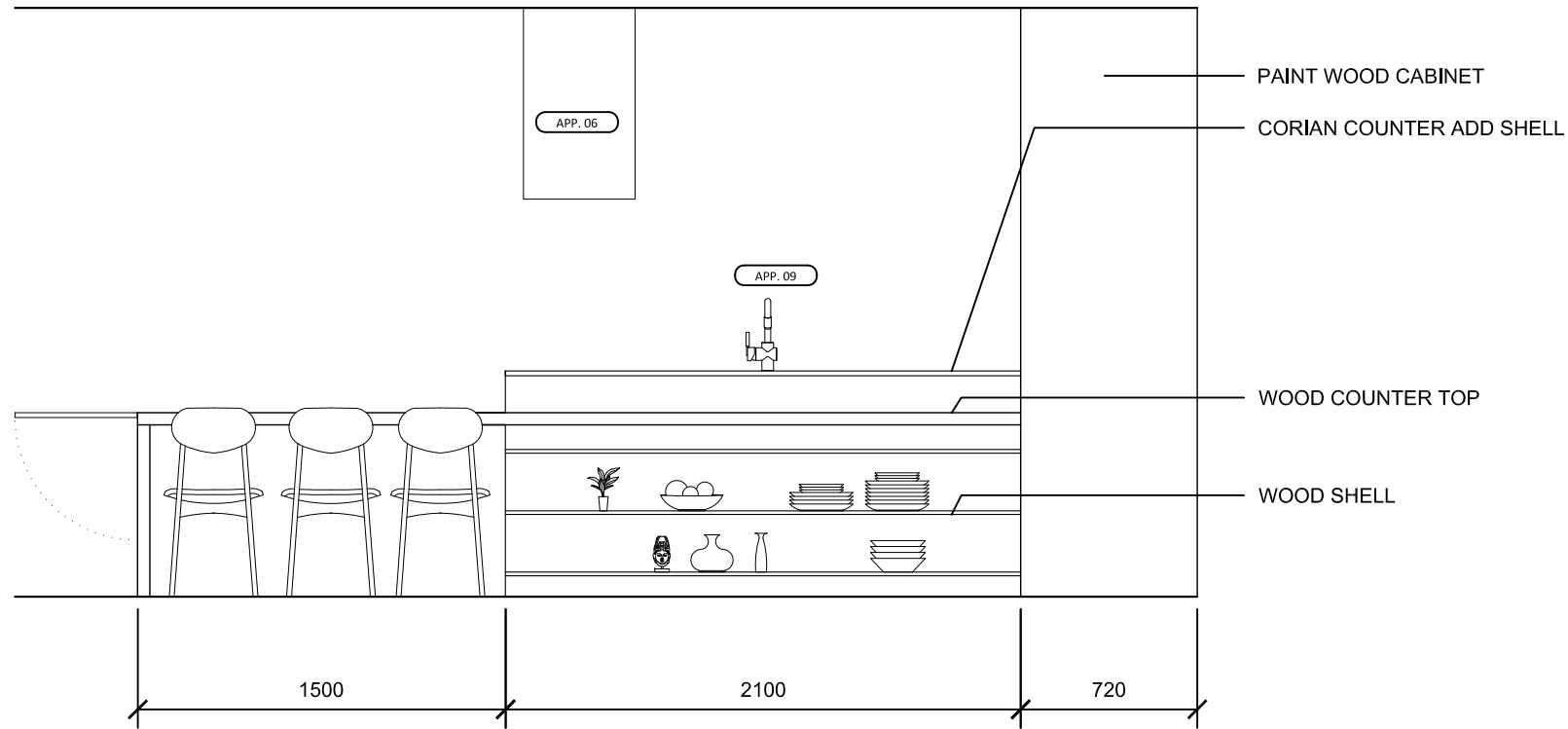
2





CEILING
EL +2940

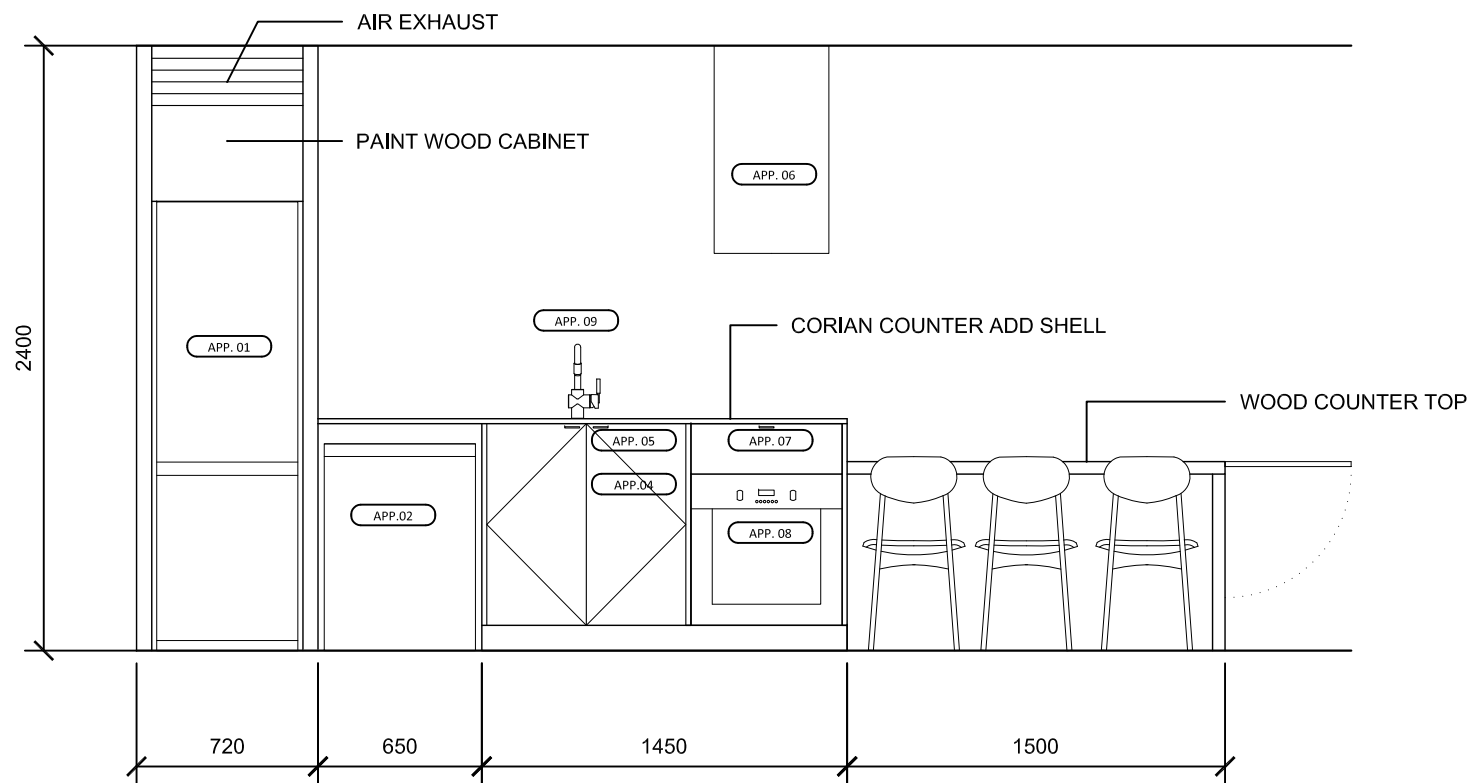
FINISH FLOOR
EL +540



1

CEILING
EL +2940

FINISH FLOOR
EL +540



0 0.5 1 2 METER

Note:

Mark	Date	Description
DN	2013/04/01	SD Submission
DN	2013/07/01	DDc Submission
ST	2013/11/01	DD Submission

Drawn by JL

Checked by DN

Scale 1:30

Unit mm

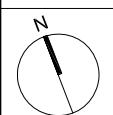
DWG. Title

KITCHEN ELEVATIONS

DWG. No.

IN-411

2

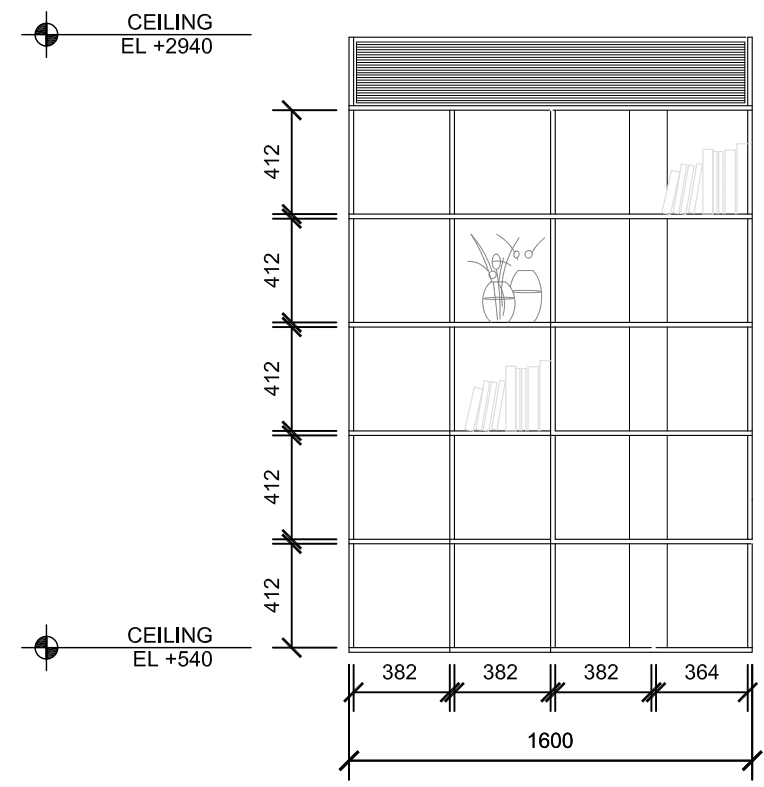
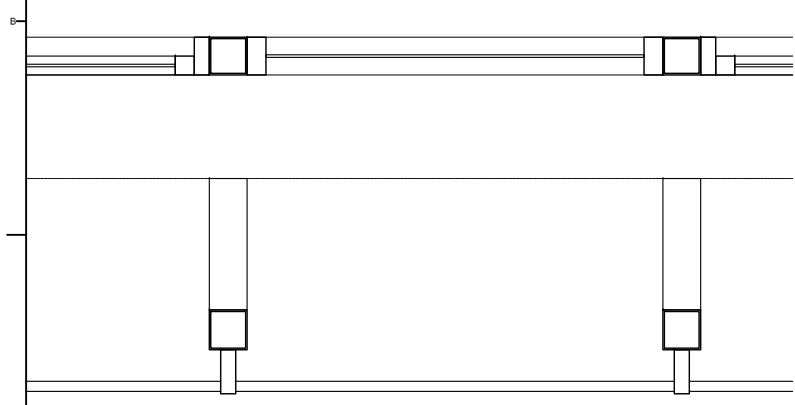
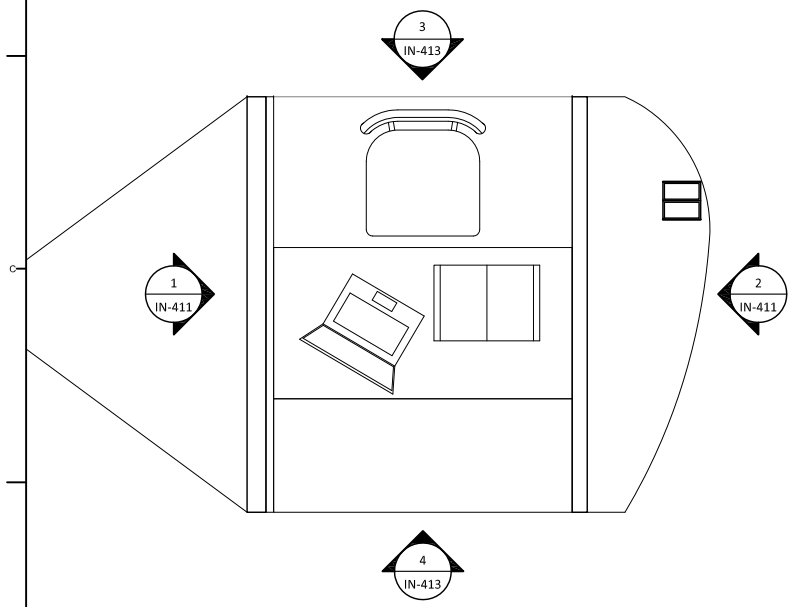
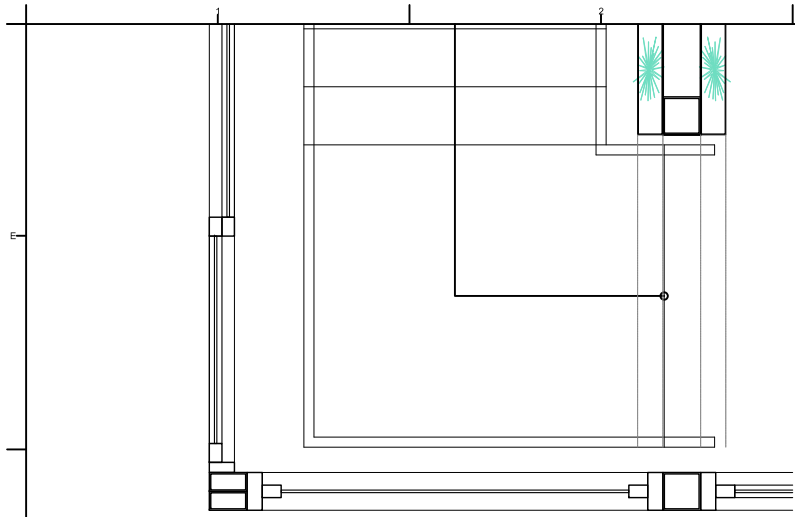


Mark	Date	Description
DN	2013/04/01	SD Submission
DN	2013/07/01	DDc Submission
ST	2013/11/01	DD Submission

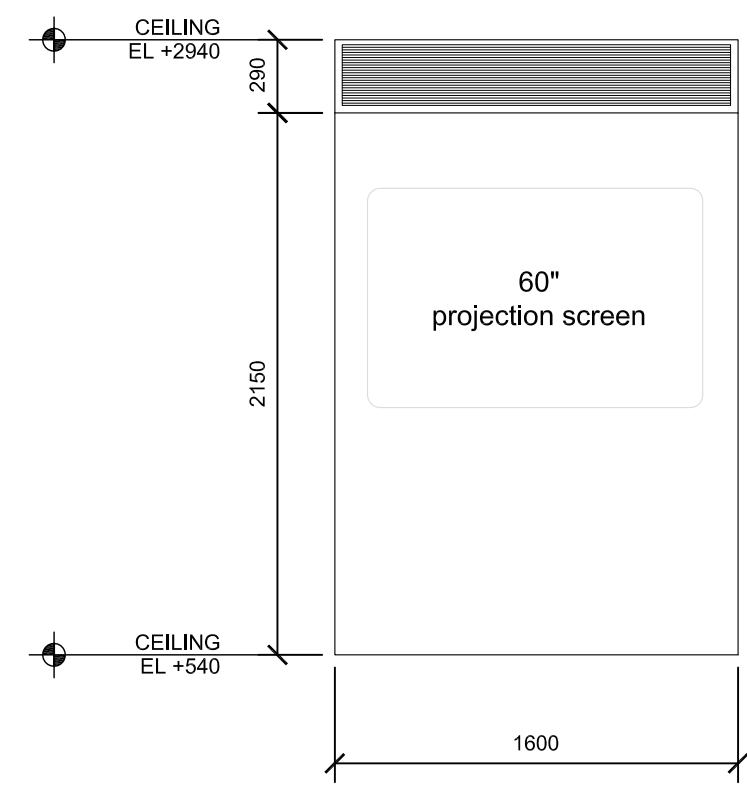
Drawn by	JL
Checked by	DN
Scale	1:30
Unit	mm

DWG. Title
WORKSTATION ELEVATIONS

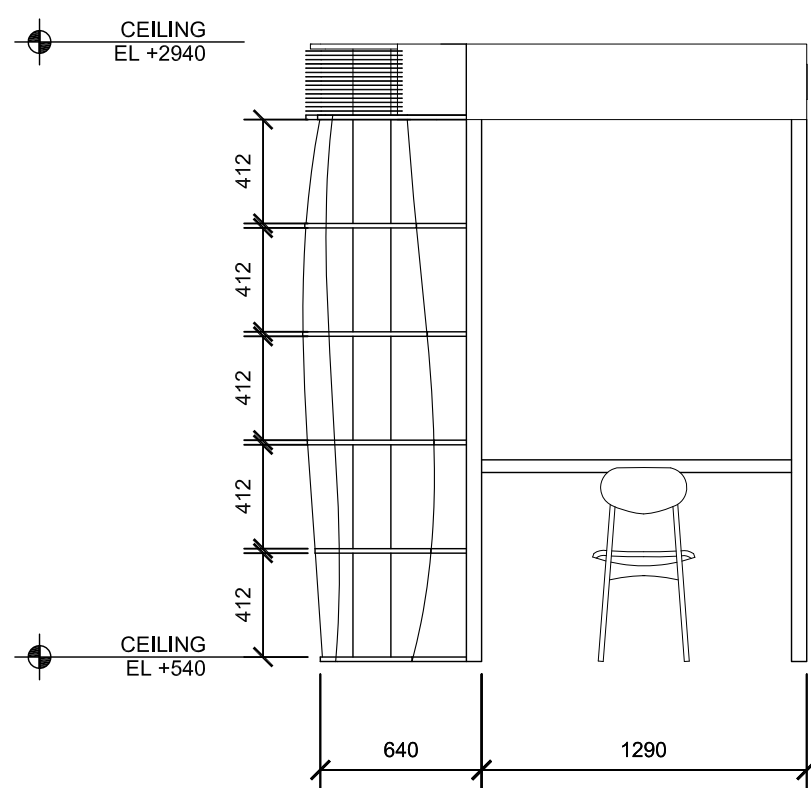
DWG. No.
IN-413



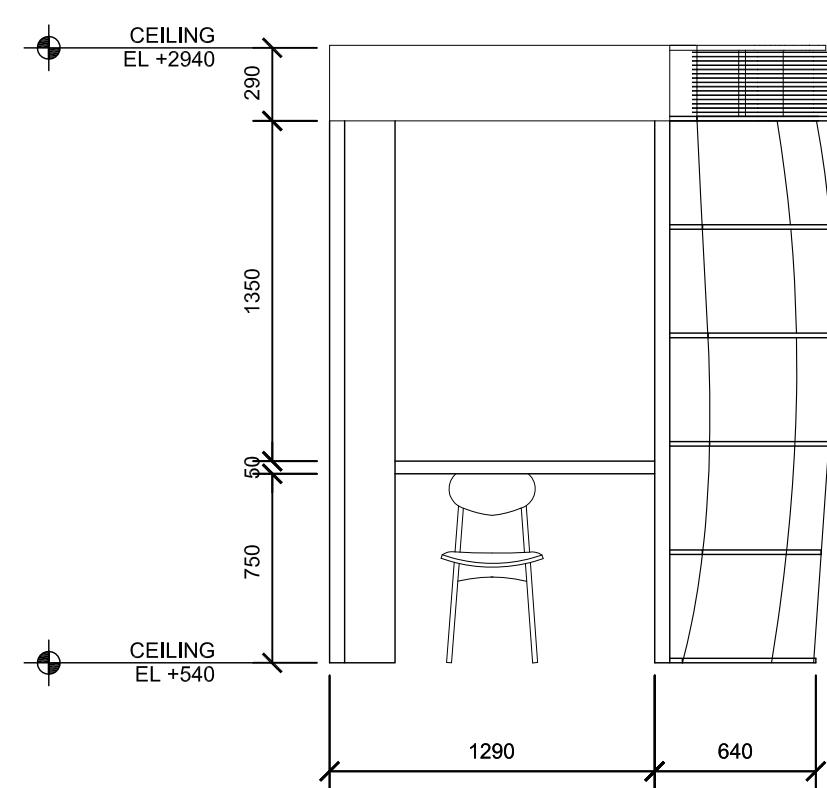
1



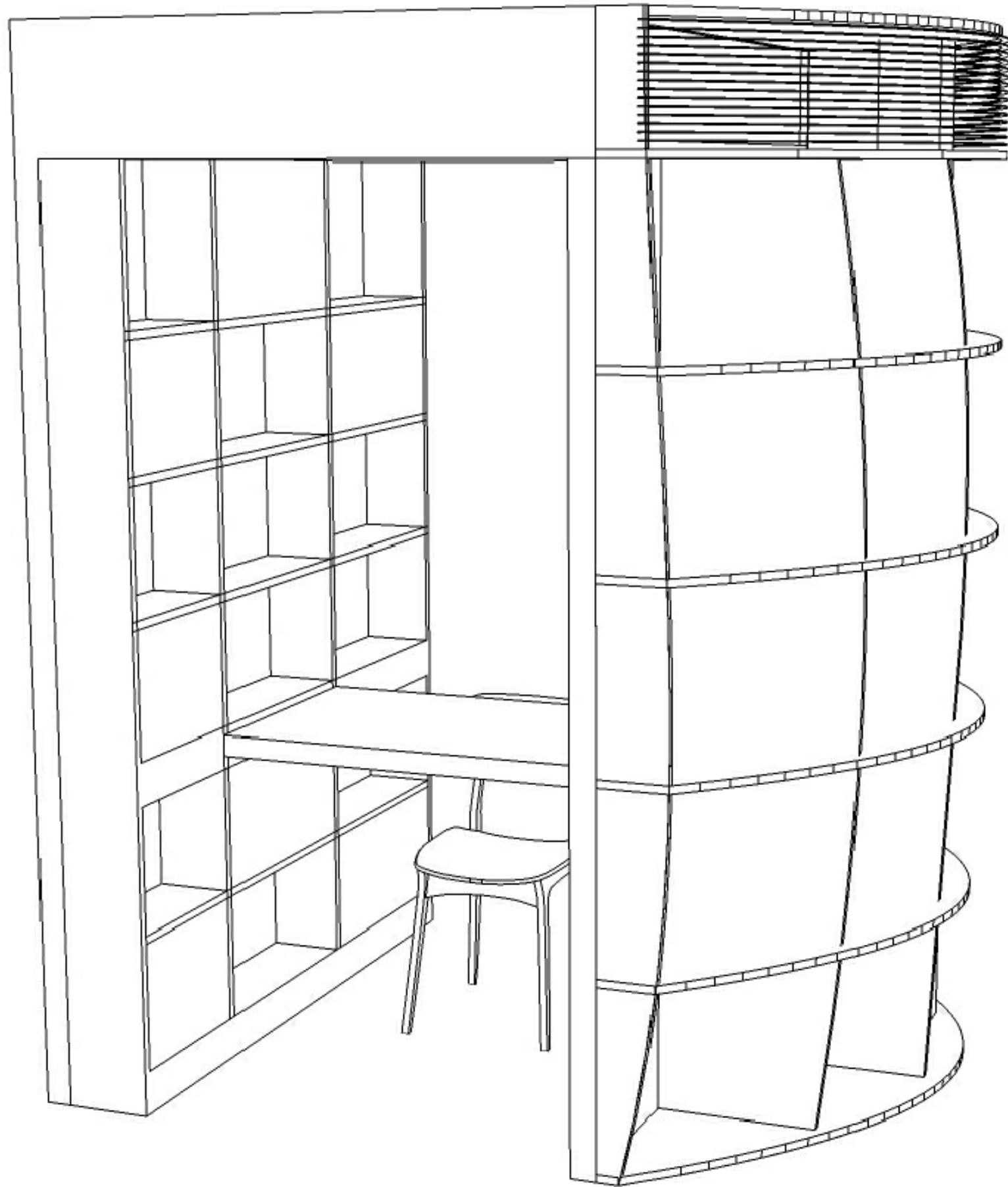
2



3



4



Project:



Institution:



NCTU Architecture
國立交通大學建築研究所

Team Name: NCTU/UNICODE
Address: 1001 Ta-Hsueh Road
Hsinchu City 30010
Taiwan
Contact: www.sde.tw



Consultants:

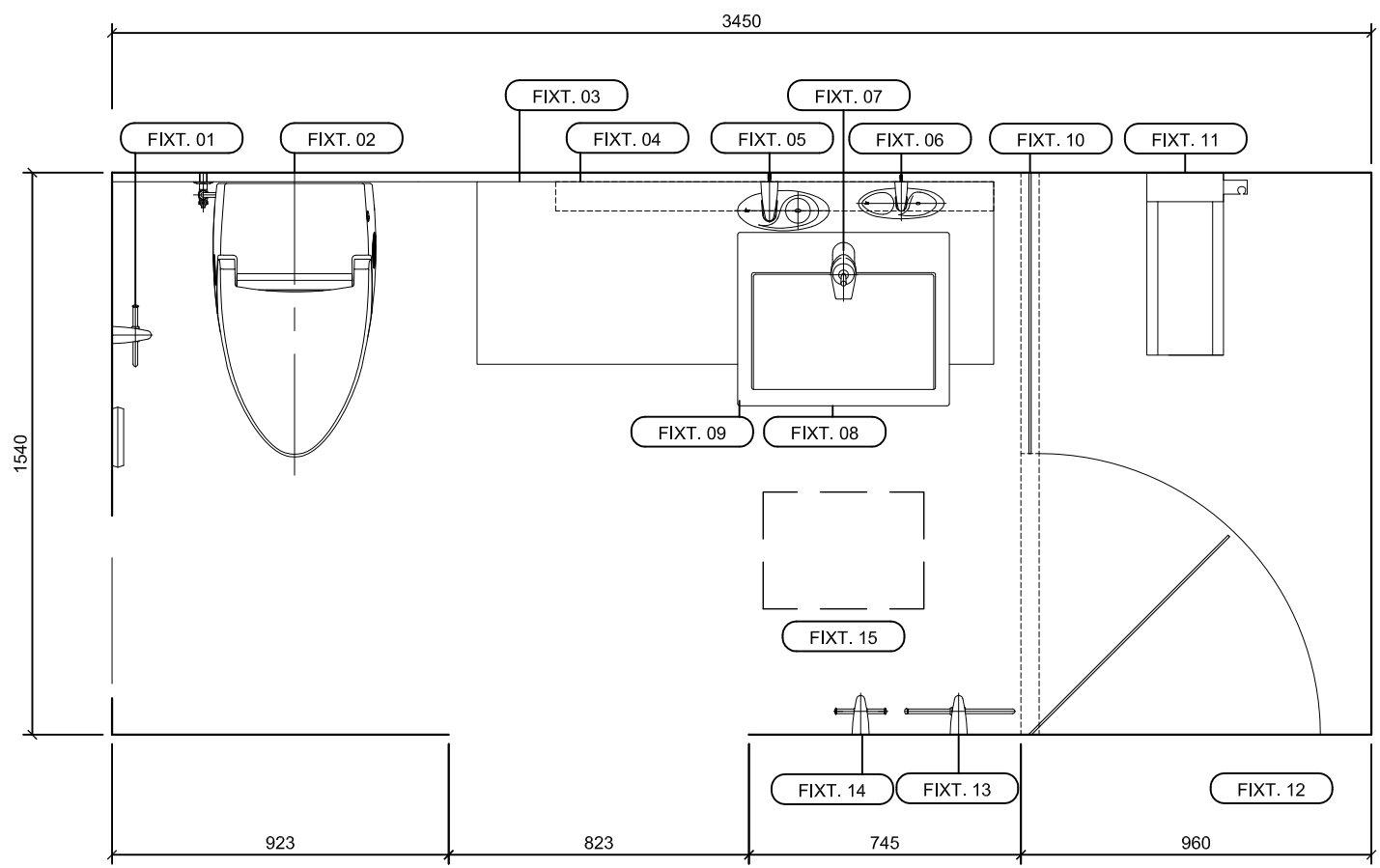
Note:

Mark	Date	Description
DN	2013/04/01	SD Submission
DN	2013/07/01	DDc Submission
ST	2013/11/01	DD Submission

Drawn by JL
Checked by DN
Scale -
Unit -

DWG. Title
WORKSTATION
AXON

DWG. No.
IN-414



FIXED FURNITURE LIST

FIXT. No	TYPE	BRAND	LOCATION	SIZE (W*D*H)	TYPE
FIXT. 01	TOILET PAPER HOLDER	HCG	BATHROOM	170x10x135	BA208
FIXT. 02	INTELLIGENT TOLIET	HCG	BATHROOM	800x460x625	AFC233
FIXT. 03	STONE COUNTERTOPS	DOPONT	BATHROOM		
FIXT. 04	ANTI-FOG MIRROR	HCG	BATHROOM	1200x800x80	BA2826
FIXT. 05	TUMBLER HOLDER	HCG	BATHROOM	245x130x105	BA202
FIXT. 06	SOAP DISH	HCG	BATHROOM	300x140x105	BA207
FIXT. 07	TEMPERATURE CONTROL FAUCET	HCG	BATHROOM	235x60x180	LF3167PT(AW)
FIXT. 08	DRAINAGE TAKEOVER	HCG	BATHROOM		LF725L-B1
FIXT. 09	SOAP DISH	HCG	BATHROOM	480x570x155	L400SAdb-4115N
FIXT. 10	ACCESSIBLE SHOWER DOOR	HCG	BATHROOM		SK2W/SK3W+SK2P/SK3P
FIXT. 11	SMART SHOWER COLUM	HCG	BATHROOM	2070x210x500	ST8801TA
FIXT. 12	SHOWER WALL	HCG	BATHROOM	897x1797x4	
FIXT. 13	DOUBLE TOWEL RACK	HCG	BATHROOM	300x110x160	BA203
FIXT. 14	CLOTH HOOK	HCG	BATHROOM	145x110x105	BA206
FIXT. 15	EXHAUST FAN	HCG	BATHROOM	440x320x195	EF510(H)



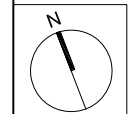
NCTU Architecture
國立交通大學建築研究所

Team Name: NCTU/UNICODE
Address: 1001 Ta-Hsueh Road
Hsinchu City 30010
Taiwan
Contact: www.sde.tw



Consultants:

Note:



Mark	Date	Description
DN	2013/04/01	SD Submission
DN	2013/07/01	DDc Submission
ST	2013/11/01	DD Submission

Drawn by	JL
Checked by	DN
Scale	1:20
Unit	mm

DWG. Title
BATHROOM PLAN

DWG. No.
IN-501



Mark	Date	Description
DN	2013/04/01	SD Submission
DN	2013/07/01	DD Submission
ST	2013/11/01	DD Submission

Drawn by JL

Checked by DN

Scale 1:30

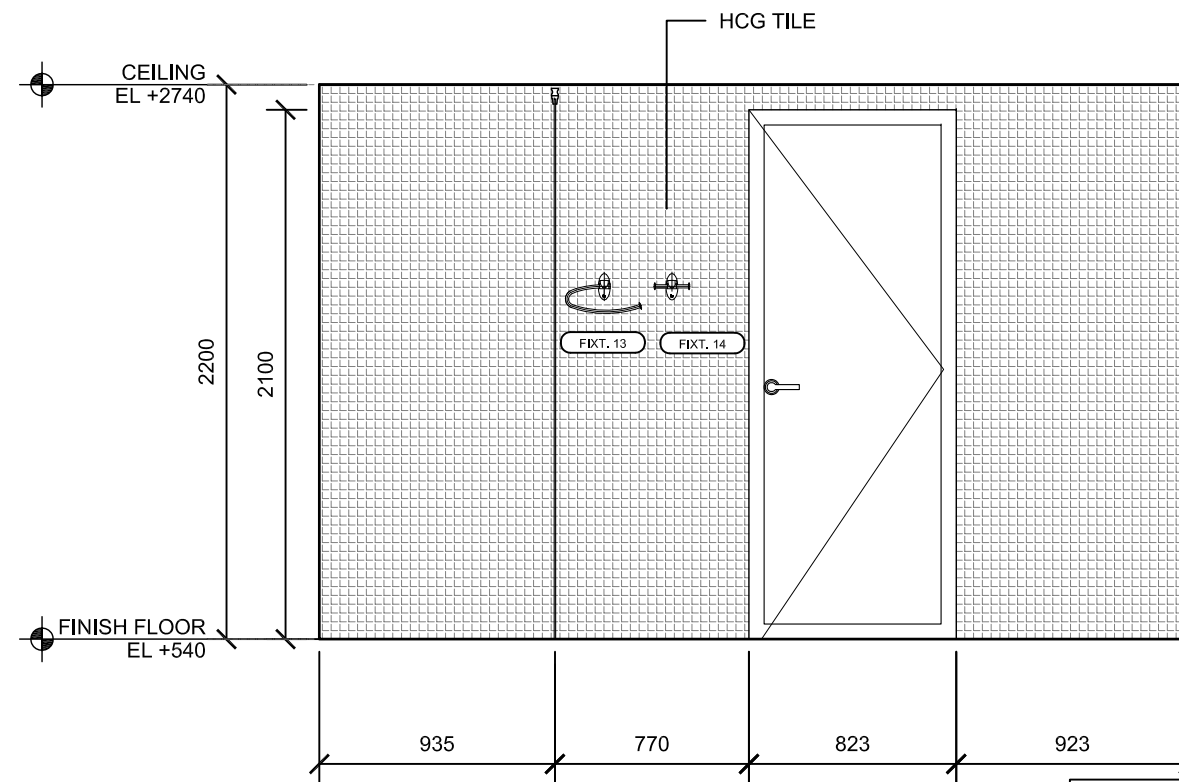
Unit mm

DWG. Title

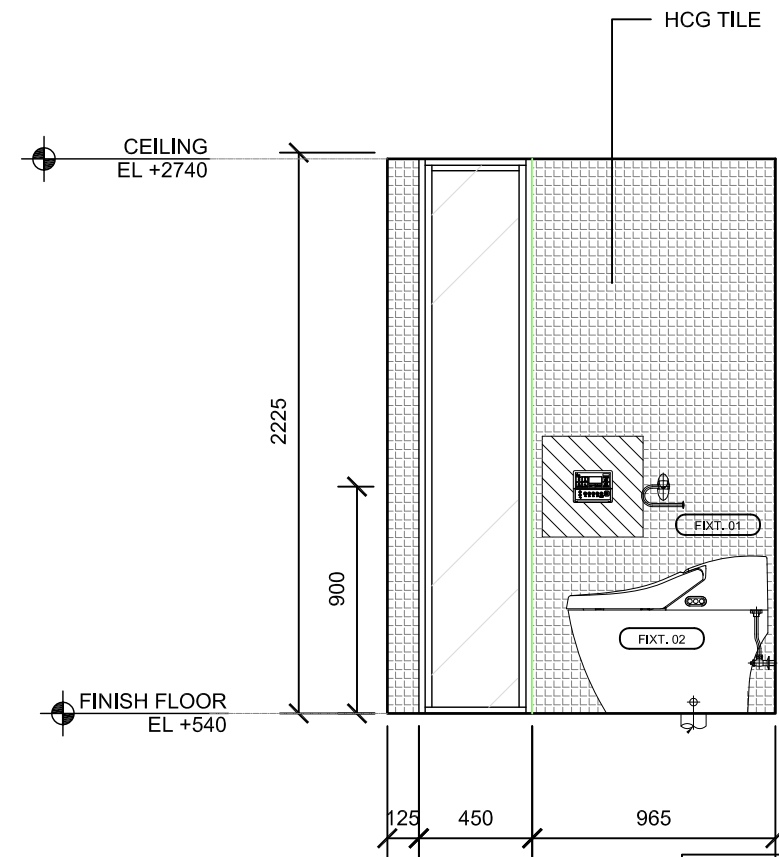
BATHROOM ELEVATIONS

DWG. No.

IN-511



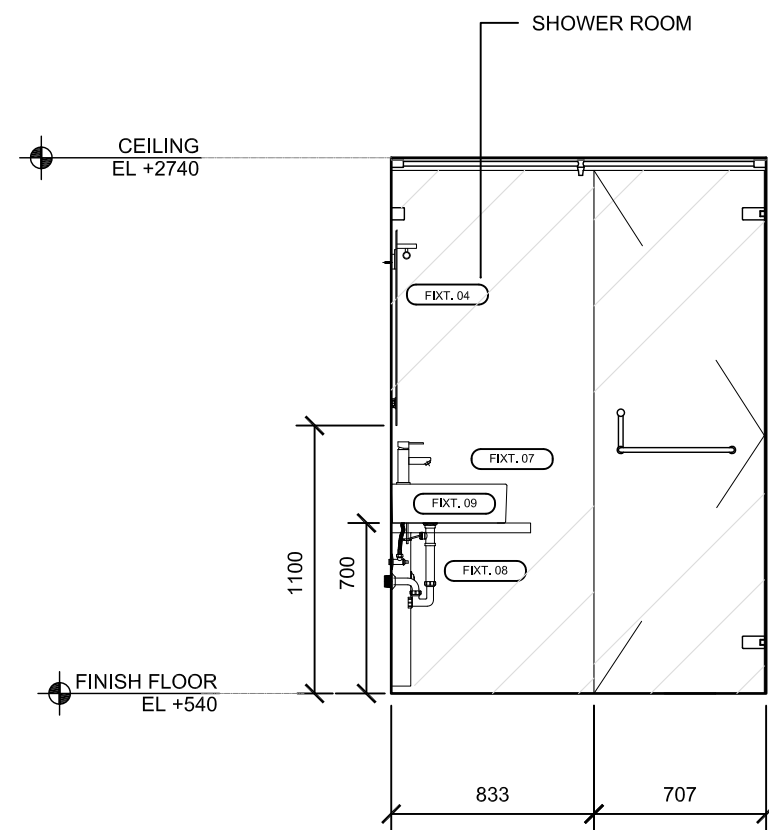
1



3



2



4





Project:



Institution:



NCTU Architecture
國立交通大學建築研究所

Team Name: NCTU/UNICODE

Address: 1001 Ta-Hsueh Road
Hsinchu City 30010
Taiwan

Contact: www.sde.tw



Consultants:

Note:

Mark	Date	Description
DN	2013/04/01	SD Submission
DN	2013/07/01	DDc Submission
ST	2013/11/01	DD Submission

Drawn by: TW

Checked by: DN

Scale: -

Unit: -

DWG. Title
**INTERIOR RENDERING
ENTRANCE**

DWG. No.
IN-601



Project:



Institution:



NCTU Architecture
國立交通大學建築研究所

Team Name: NCTU/UNICODE

Address: 1001 Ta-Hsueh Road
Hsinchu City 30010
Taiwan

Contact: www.sde.tw



Consultants:

Note:

Mark	Date	Description
DN	2013/04/01	SD Submission
DN	2013/07/01	DDc Submission
ST	2013/11/01	DD Submission

Drawn by TW

Checked by DN

Scale -

Unit -

DWG. Title
**INTERIOR RENDERING
LIVING ROOM**

DWG. No.
IN-602



Project:



Institution:



NCTU Architecture
國立交通大學建築研究所

Team Name: NCTU/UNICODE

Address: 1001 Ta-Hsueh Road
Hsinchu City 30010
Taiwan

Contact: www.sde.tw



Consultants:

Note:

Mark	Date	Description
DN	2013/04/01	SD Submission
DN	2013/07/01	DDc Submission
ST	2013/11/01	DD Submission

Drawn by TW

Checked by DN

Scale -

Unit -

DWG. Title
**INTERIOR RENDERING
2ND FLOOR**

DWG. No.
IN-603



Project:



Institution:



NCTU Architecture
國立交通大學建築研究所

Team Name: NCTU/UNICODE
Address: 1001 Ta-Hsueh Road
Hsinchu City 30010
Taiwan
Contact: www.sde.tw



Consultants:

Note:

Mark	Date	Description
DN	2013/04/01	SD Submission
DN	2013/07/01	DDc Submission
ST	2013/11/01	DD Submission

Drawn by: TW
Checked by: DN
Scale: -
Unit: -

DWG. Title
**INTERIOR RENDERING
VIEW FROM TERRACE**

DWG. No.
IN-604

Project:



Institution:



NCTU Architecture
國立交通大學建築研究所

Team Name:

NCTU/UNICODE

Address:

1001 Ta-Hsueh Road
Hsinchu City 30010
Taiwan

Contact:

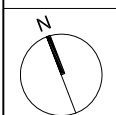
www.sde.tw



Consultants:



Note:

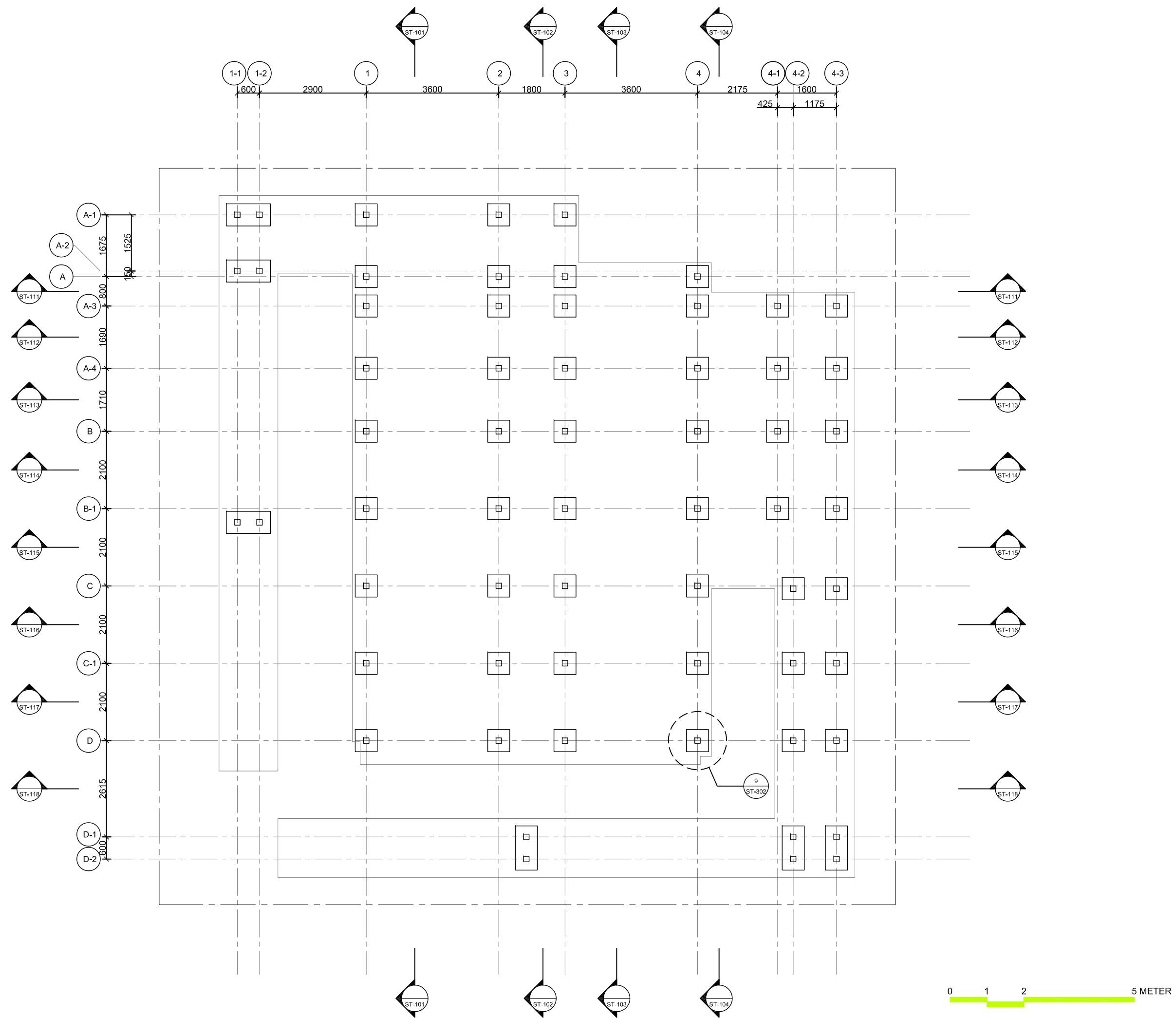


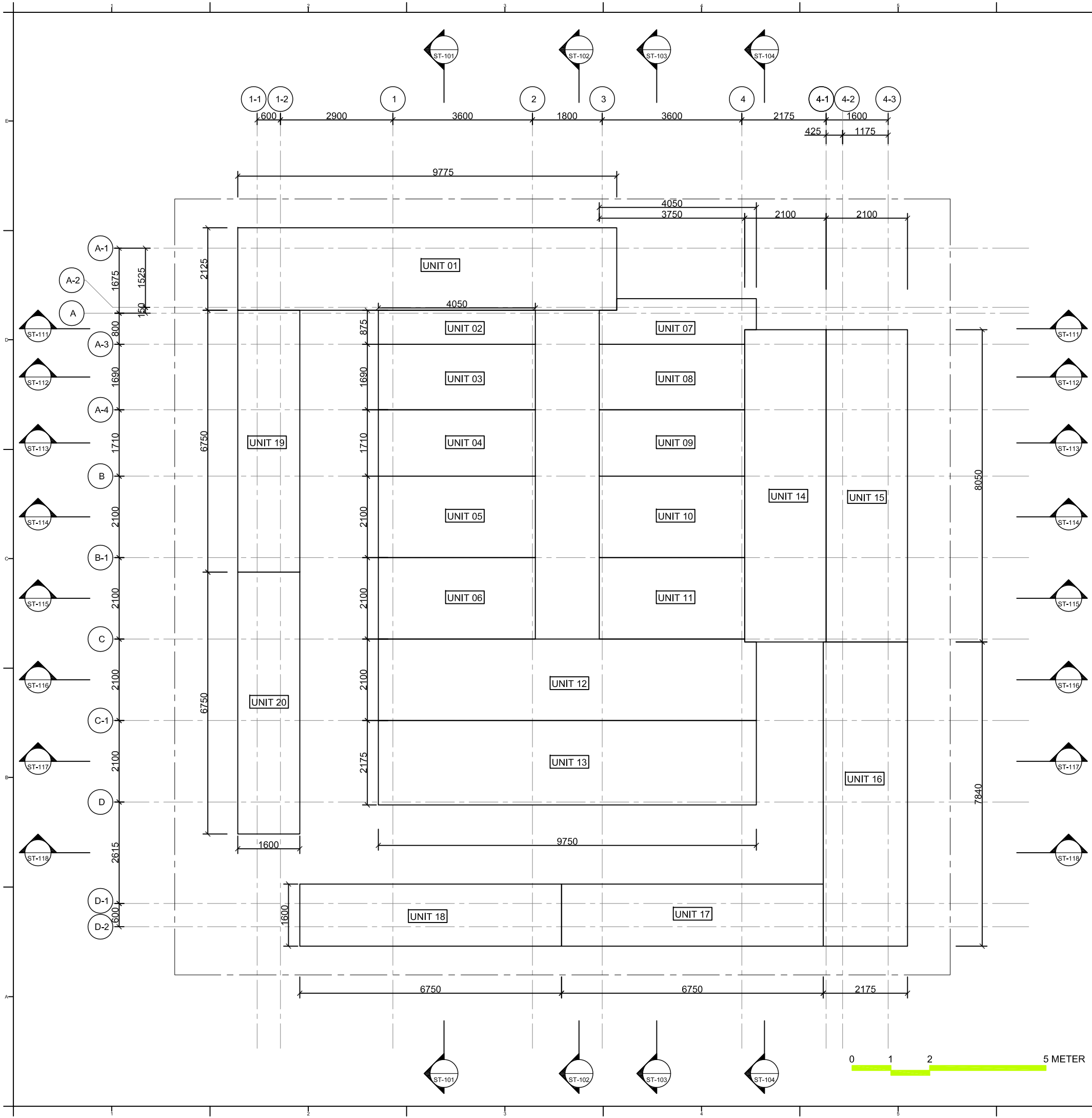
Mark	Date	Description
DN	2013/04/01	SD Submission
DN	2013/07/01	DDc Submission
ST	2013/11/01	DD Submission

Drawn by	ST
Checked by	DN
Scale	1:100
Unit	mm

DWG. Title
FOUNDATION PLAN AND DETAILS

DWG. No.
ST-001





UNIT No.	Size (L x W x D)
UNIT 01	9775 x 2125 x 150
UNIT 02	4050 x 875 x 150
UNIT 03	4050 x 1690 x 150
UNIT 04	4050 x 1710 x 150
UNIT 05	4050 x 2100 x 150
UNIT 06	4050 x 2100 x 150
UNIT 07	4050 x 875 x 150
UNIT 08	3750 x 1690 x 150
UNIT 09	3750 x 1710 x 150
UNIT 10	3750 x 2100 x 150
UNIT 11	3750 x 2100 x 150
UNIT 12	9750 x 2100 x 150
UNIT 13	9750 x 2175 x 150
UNIT 14	8050 x 2100 x 150
UNIT 15	8050 x 2100 x 150
UNIT 16	7840 x 2175 x 150
UNIT 17	6750 x 1600 x 150
UNIT 18	6750 x 1600 x 150
UNIT 19	6750 x 1600 x 150
UNIT 20	6750 x 1600 x 150



NCTU Architecture
國立交通大學建築研究所

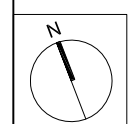
Team Name: NCTU/UNICODE
Address: 1001 Ta-Hsueh Road
Hsinchu City 30010
Taiwan
Contact: www.sde.tw



Consultants:



Note:



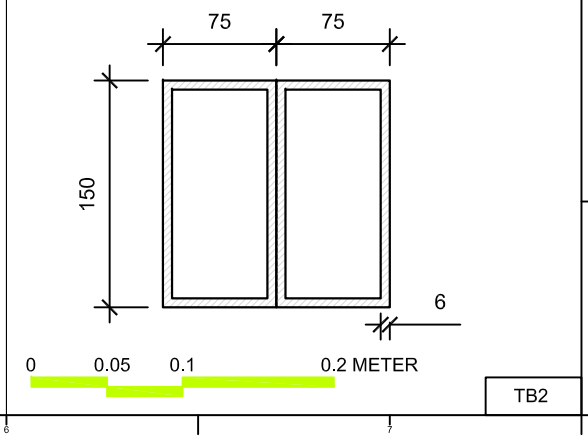
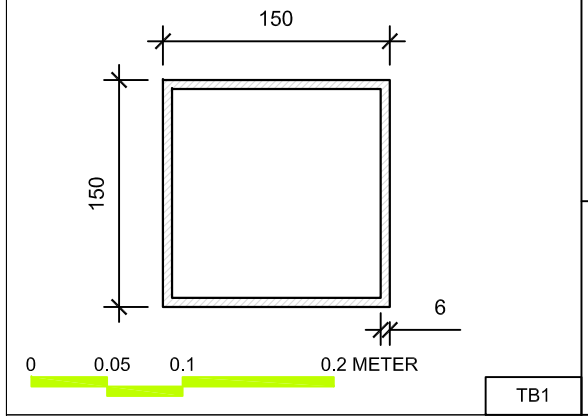
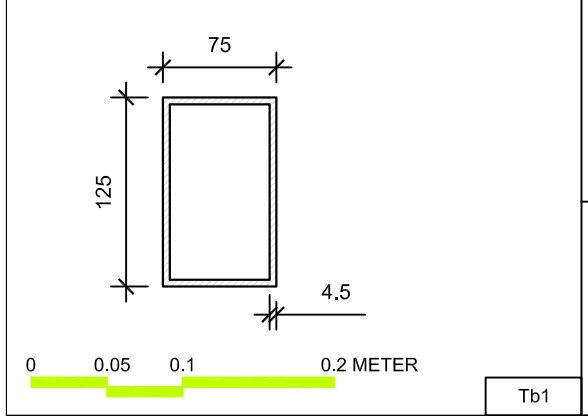
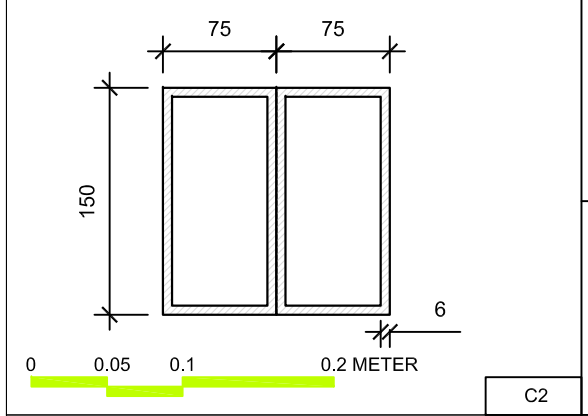
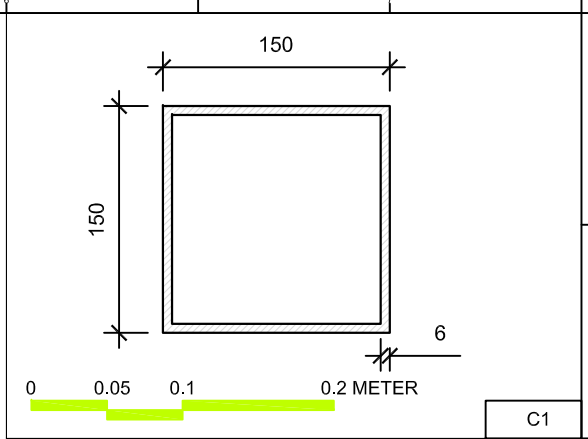
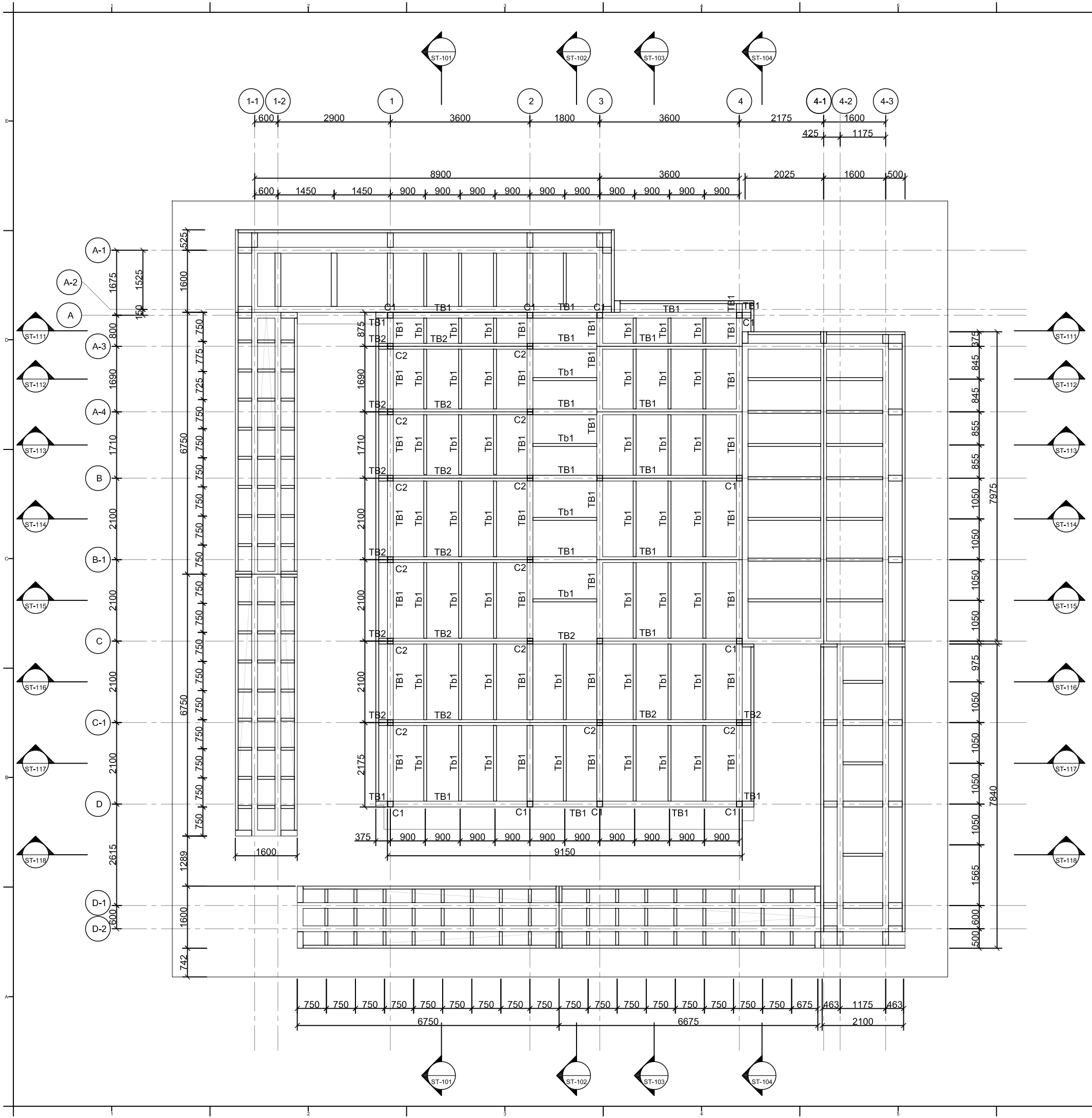
Mark	Date	Description
DN	2013/04/01	SD Submission
DN	2013/07/01	DD Submission
ST	2013/11/01	DD Submission

Drawn by	ST
Checked by	DN
Scale	1:100
Unit	mm

DWG. Title
STRUCTURAL FLOOR UNITS

DWG. No.
ST-002





Solar Decathlon Europe

Project:

Institution:

國立交通大學
National Chiao Tung University

NCTU Architecture
國立交通大學建築研究所

Team Name: NCTU/UNICODE
Address: 1001 Ta-Hsueh Road
Hsinchu City 30010
Taiwan
Contact: www.sde.tw

Consultants:

Note:

Mark	Date	Description
DN	2013/04/01	SD Submission
DN	2013/07/01	DD Submission
ST	2013/11/01	DD Submission

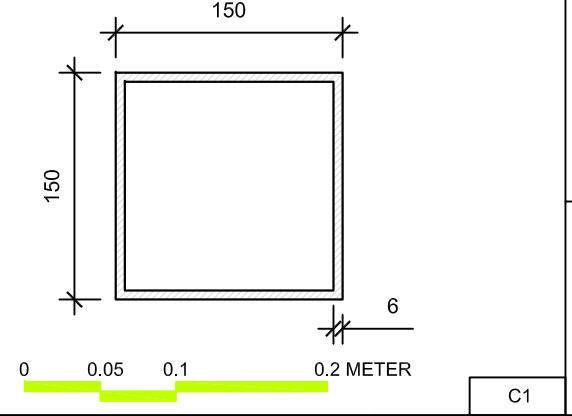
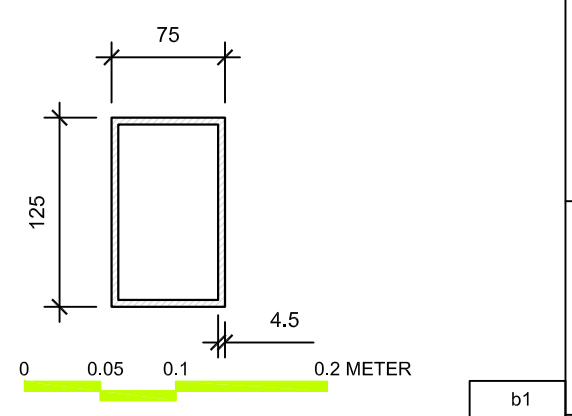
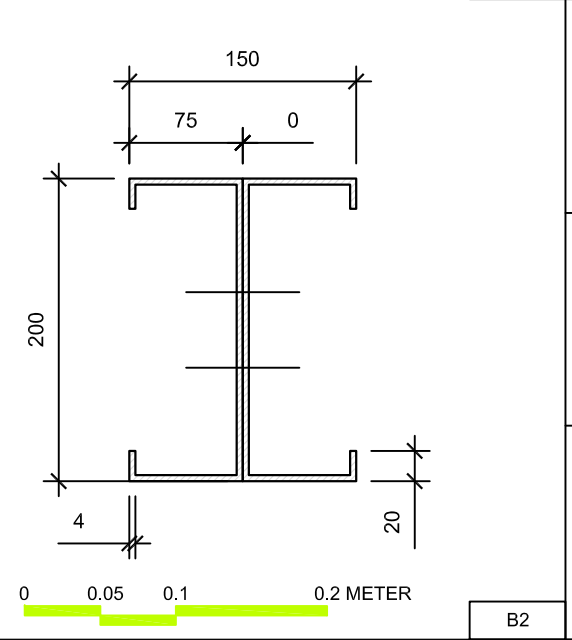
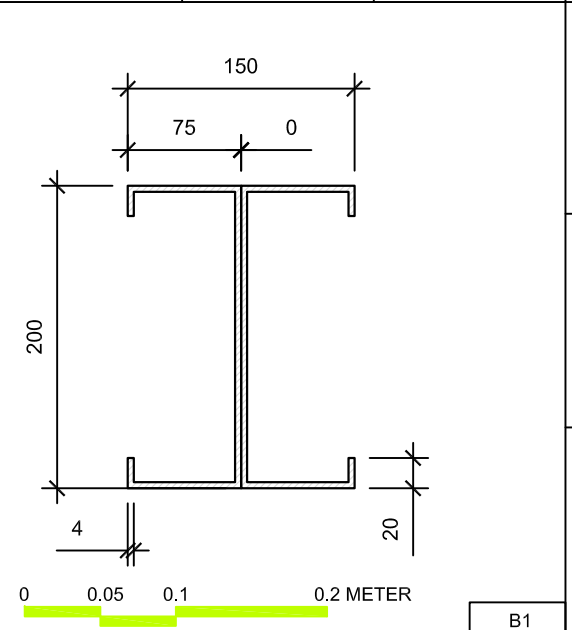
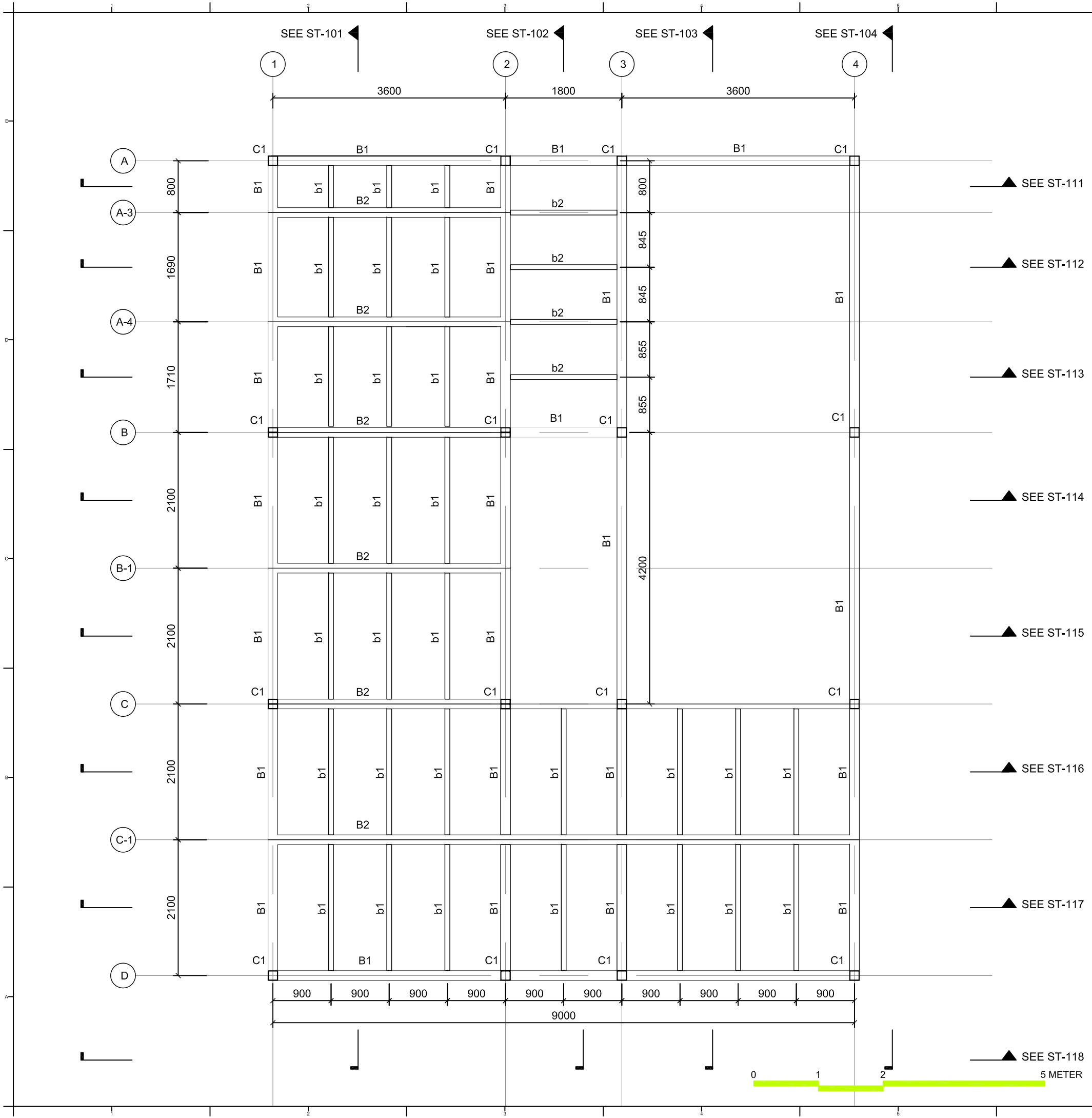
Drawn by	ST
Checked by	DN
Scale	1:100
Unit	mm

DWG. Title

**STRUCTURAL
GROUND LEVEL PLAN**

DWG. No.

ST-011





Project:



Institution:



NCTU Architecture
國立交通大學建築研究所

Team Name: NCTU/UNICODE
Address: 1001 Ta-Hsueh Road
Hsinchu City 30010
Taiwan
Contact: www.sde.tw



Consultants:



Note:

Mark	Date	Description
DN	2013/04/01	SD Submission
DN	2013/07/01	DDc Submission
ST	2013/11/01	DD Submission

Drawn by: ST
Checked by: DN
Scale: 1:60
Unit: mm

DWG. Title: **STRUCTURAL PLAN
MEZZANINE LEVEL**

DWG. No.: **ST-012**

Project:



Institution:



NCTU Architecture
國立交通大學建築研究所

Team Name:

NCTU/UNICODE

Address:

1001 Ta-Hsueh Road
Hsinchu City 30010
Taiwan

Contact:

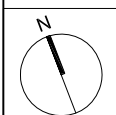
www.sde.tw



Consultants:



Note:



Mark	Date	Description
DN	2013/04/01	SD Submission
DN	2013/07/01	DDc Submission
ST	2013/11/01	DD Submission

Drawn by

CF

Checked by

DN

Scale

1:100

Unit

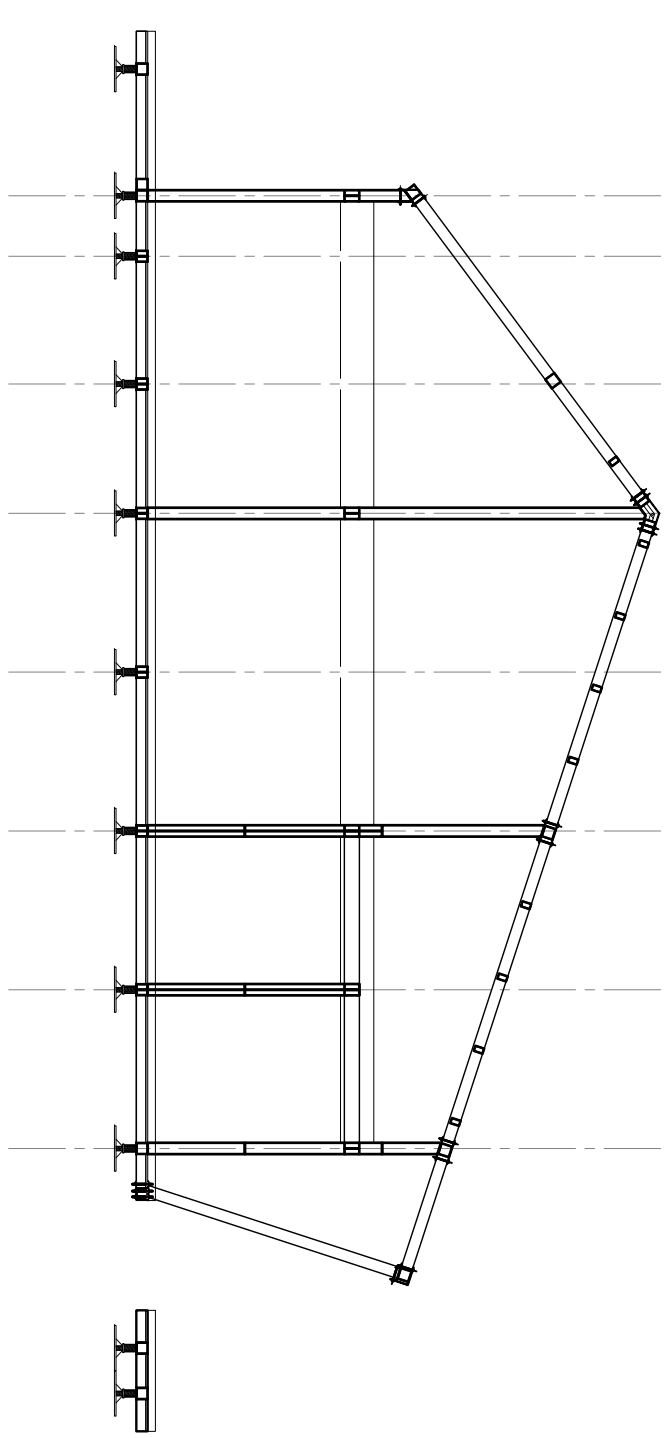
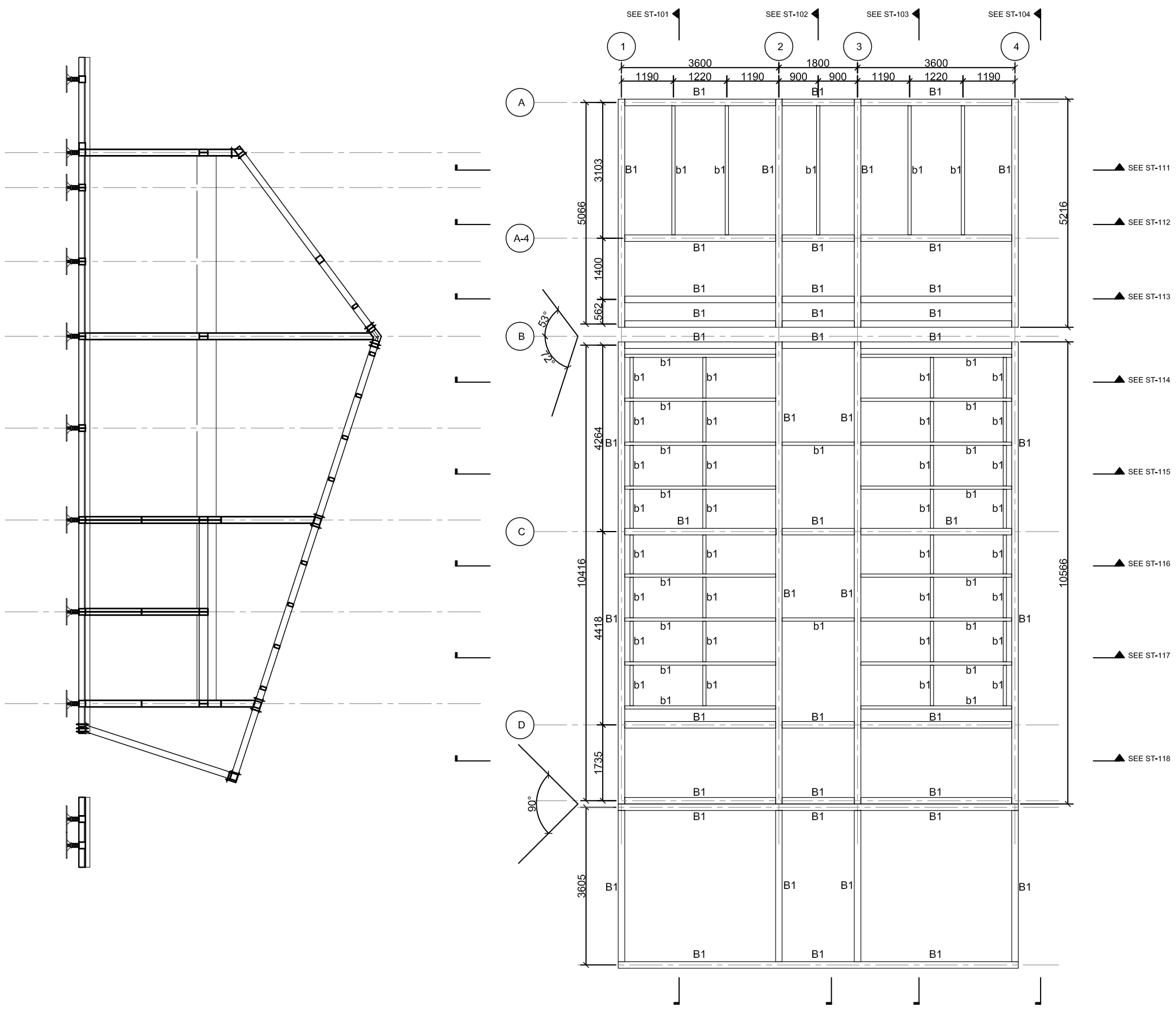
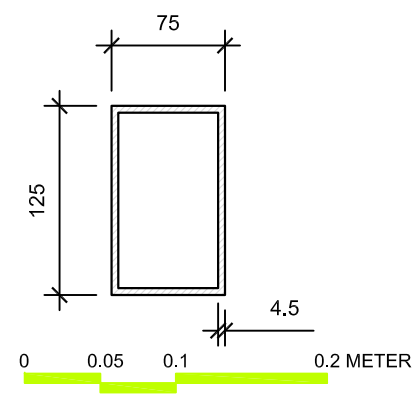
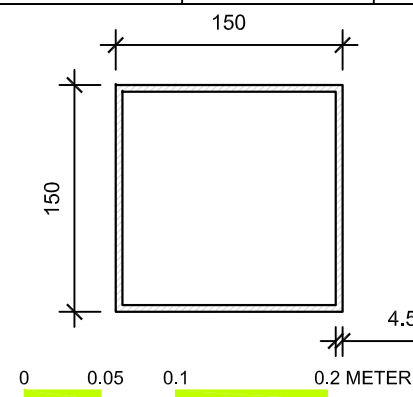
mm

DWG. Title

STRUCTURAL ROOF PLAN

DWG. No.

ST-021



Project:



Institution:



NCTU Architecture
國立交通大學建築研究所

Team Name: NCTU/UNICODE
Address: 1001 Ta-Hsueh Road
Hsinchu City 30010
Taiwan
Contact: www.sde.tw



Consultants:



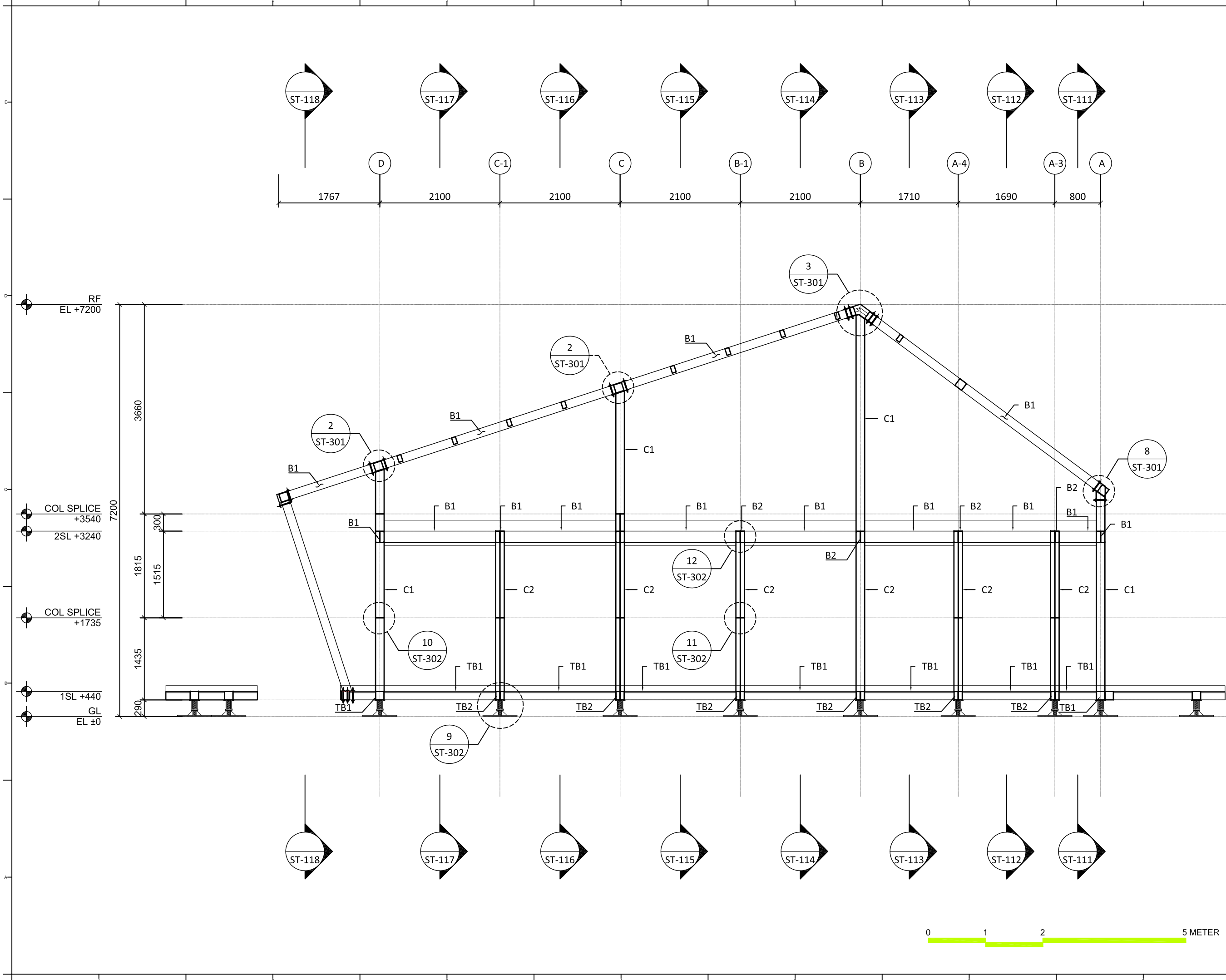
Note:

Mark	Date	Description
DN	2013/04/01	SD Submission
DN	2013/07/01	DDc Submission
ST	2013/11/01	DD Submission

Drawn by	ST
Checked by	DN
Scale	1:60
Unit	mm

DWG. Title
**STRUCTURAL
LONGITUDINAL SECTIONS
FRAME 1**

DWG. No.
ST-101



Project:



Institution:



NCTU Architecture
國立交通大學建築研究所

Team Name: NCTU/UNICODE
Address: 1001 Ta-Hsueh Road
Hsinchu City 30010
Taiwan
Contact: www.sde.tw



Consultants:



Note:

Mark	Date	Description
DN	2013/04/01	SD Submission
DN	2013/07/01	DDc Submission
ST	2013/11/01	DD Submission

Drawn by: ST

Checked by: DN

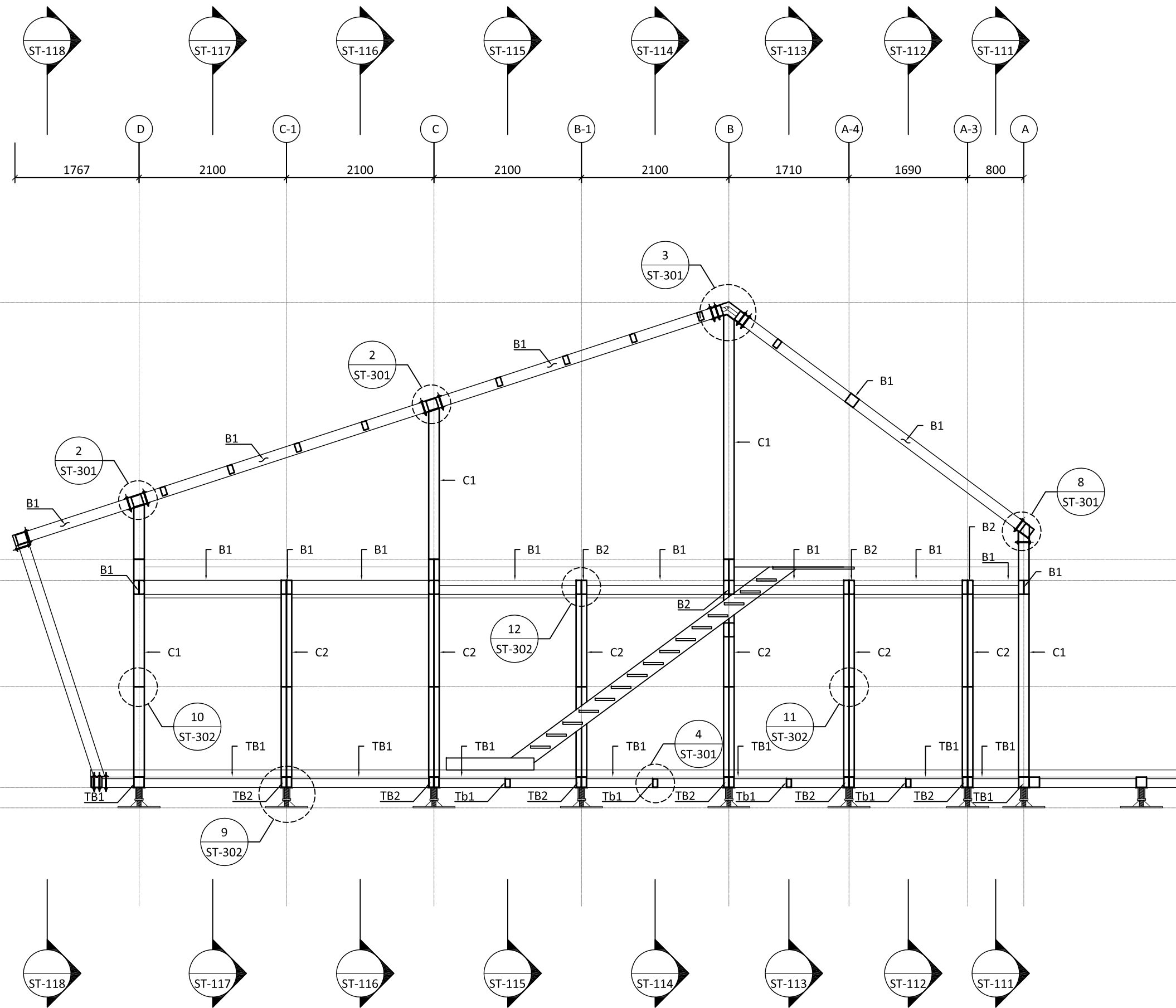
Scale: 1:60

Unit: mm

DWG. Title
**STRUCTURAL
LONGITUDINAL SECTIONS
FRAME 2**

DWG. No.

ST-102



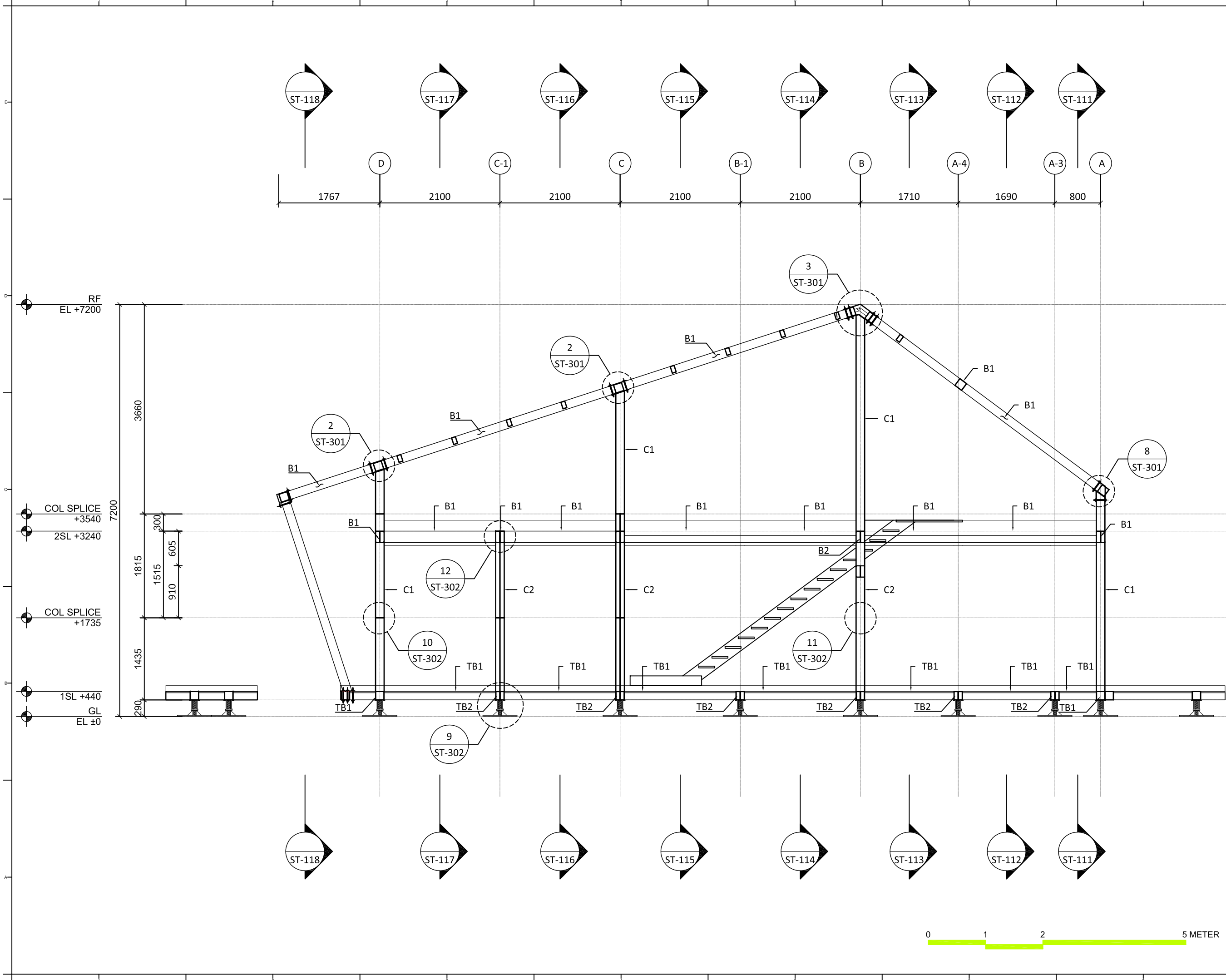


Mark	Date	Description
DN	2013/04/01	SD Submission
DN	2013/07/01	DDc Submission
ST	2013/11/01	DD Submission

Drawn by	ST
Checked by	DN
Scale	1:60
Unit	mm

DWG. Title
**STRUCTURAL
LONGITUDINAL SECTIONS
FRAME 3**

DWG. No.
ST-103



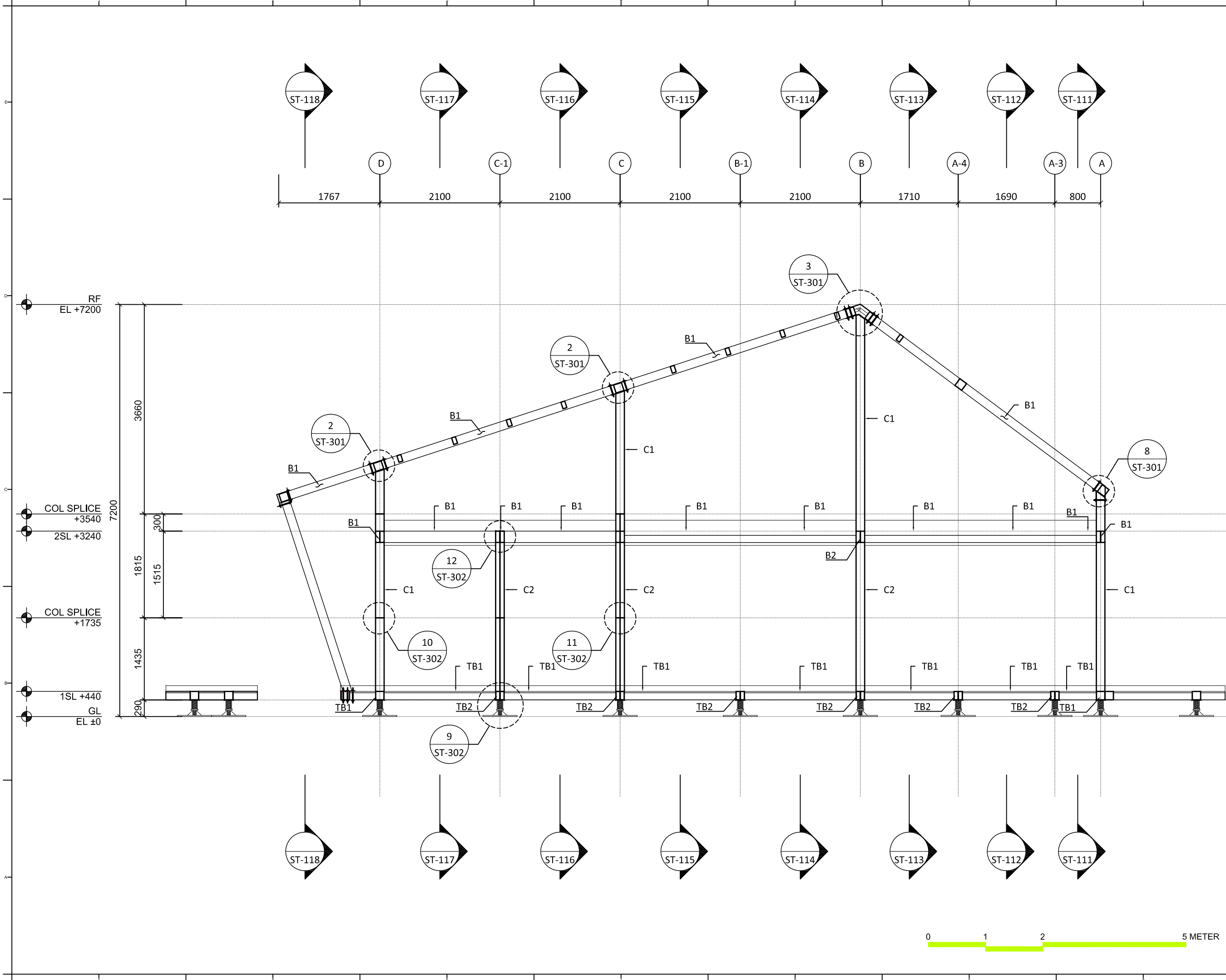


Mark	Date	Description
DN	2013/04/01	SD Submission
DN	2013/07/01	DDc Submission
ST	2013/11/01	DD Submission

Drawn by	ST
Checked by	DN
Scale	1:60
Unit	mm

DWG. Title
**STRUCTURAL
LONGITUDINAL SECTIONS
FRAME 4**

DWG. No.
ST-104



Project:



Institution:



NCTU Architecture
國立交通大學建築研究所

Team Name: NCTU/UNICODE
Address: 1001 Ta-Hsueh Road
Hsinchu City 30010
Taiwan
Contact: www.sde.tw



Consultants:



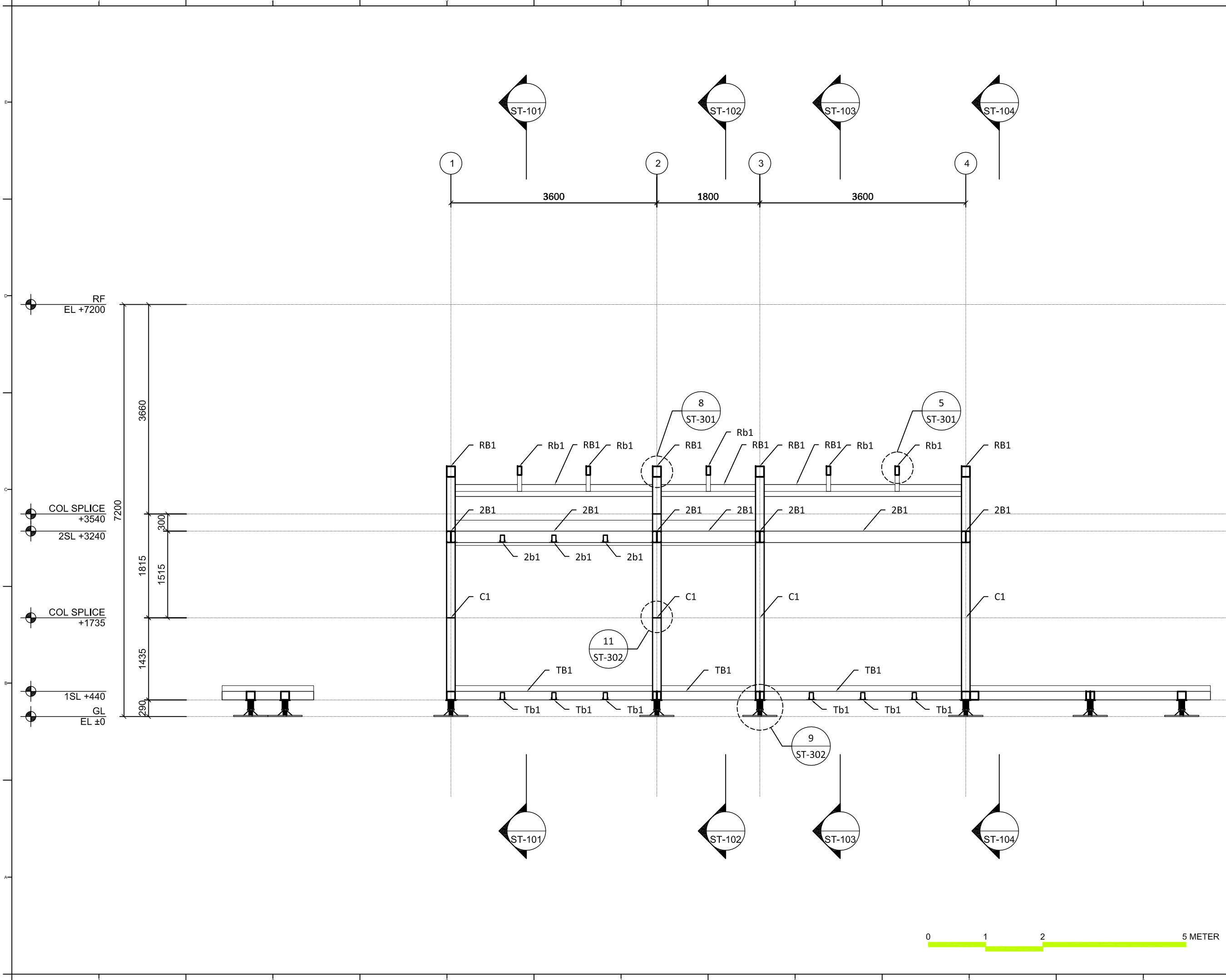
Note:

Mark	Date	Description
DN	2013/04/01	SD Submission
DN	2013/07/01	DDc Submission
ST	2013/11/01	DD Submission

Drawn by	ST
Checked by	DN
Scale	1:60
Unit	mm

DWG. Title
**STRUCTURAL
TRANSVERSAL SECTIONS
FRAME A**

DWG. No.
ST-111



Project:



Institution:



NCTU Architecture
國立交通大學建築研究所

Team Name: NCTU/UNICODE
Address: 1001 Ta-Hsueh Road
Hsinchu City 30010
Taiwan
Contact: www.sde.tw



Consultants:



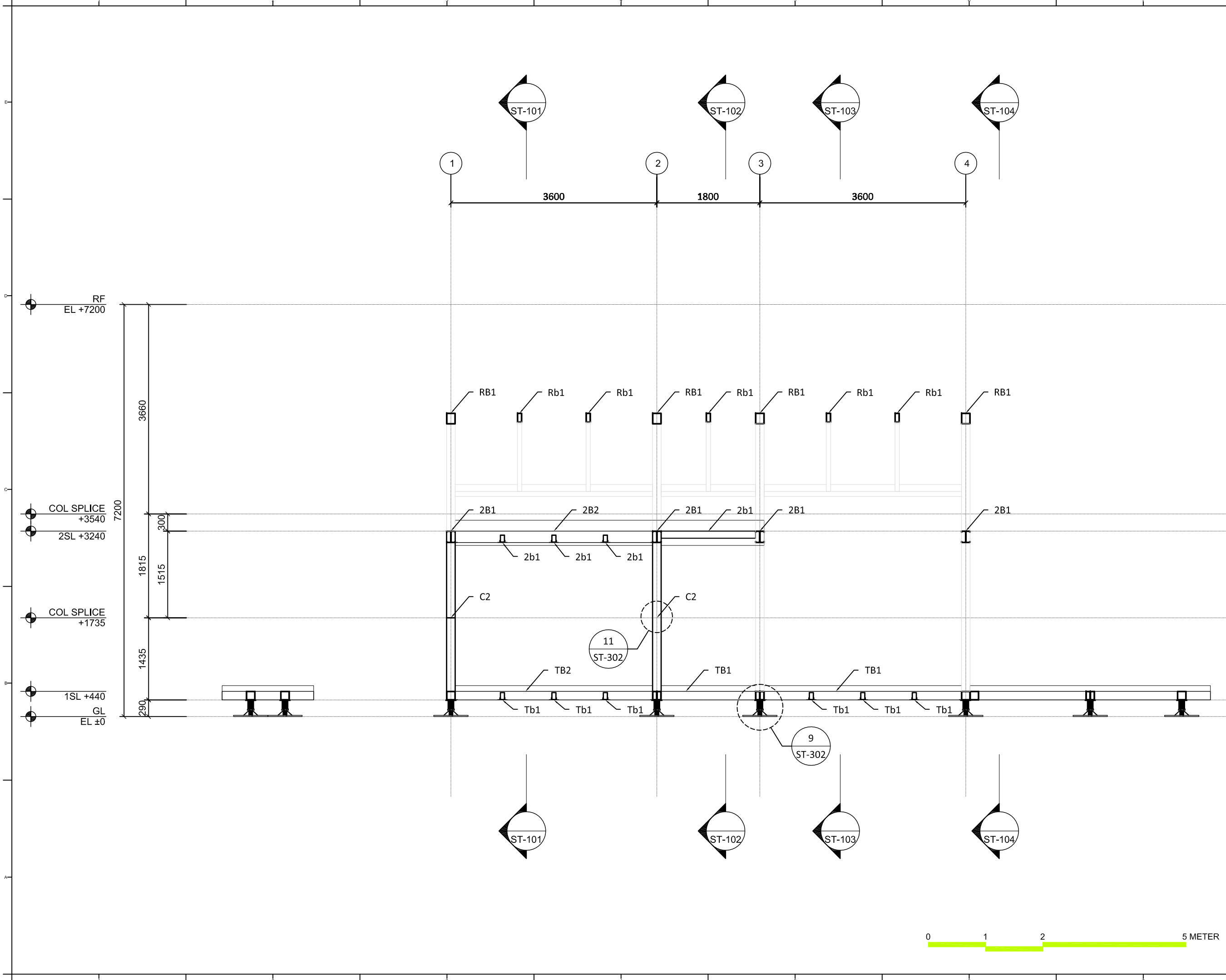
Note:

Mark	Date	Description
DN	2013/04/01	SD Submission
DN	2013/07/01	DDc Submission
ST	2013/11/01	DD Submission

Drawn by	ST
Checked by	DN
Scale	1:60
Unit	mm

DWG. Title
**STRUCTURAL
TRANSVERSAL SECTIONS
FRAME A-3**

DWG. No.
ST-112



Project:



Institution:



NCTU Architecture
國立交通大學建築研究所

Team Name: NCTU/UNICODE
Address: 1001 Ta-Hsueh Road
Hsinchu City 30010
Taiwan
Contact: www.sde.tw



Consultants:



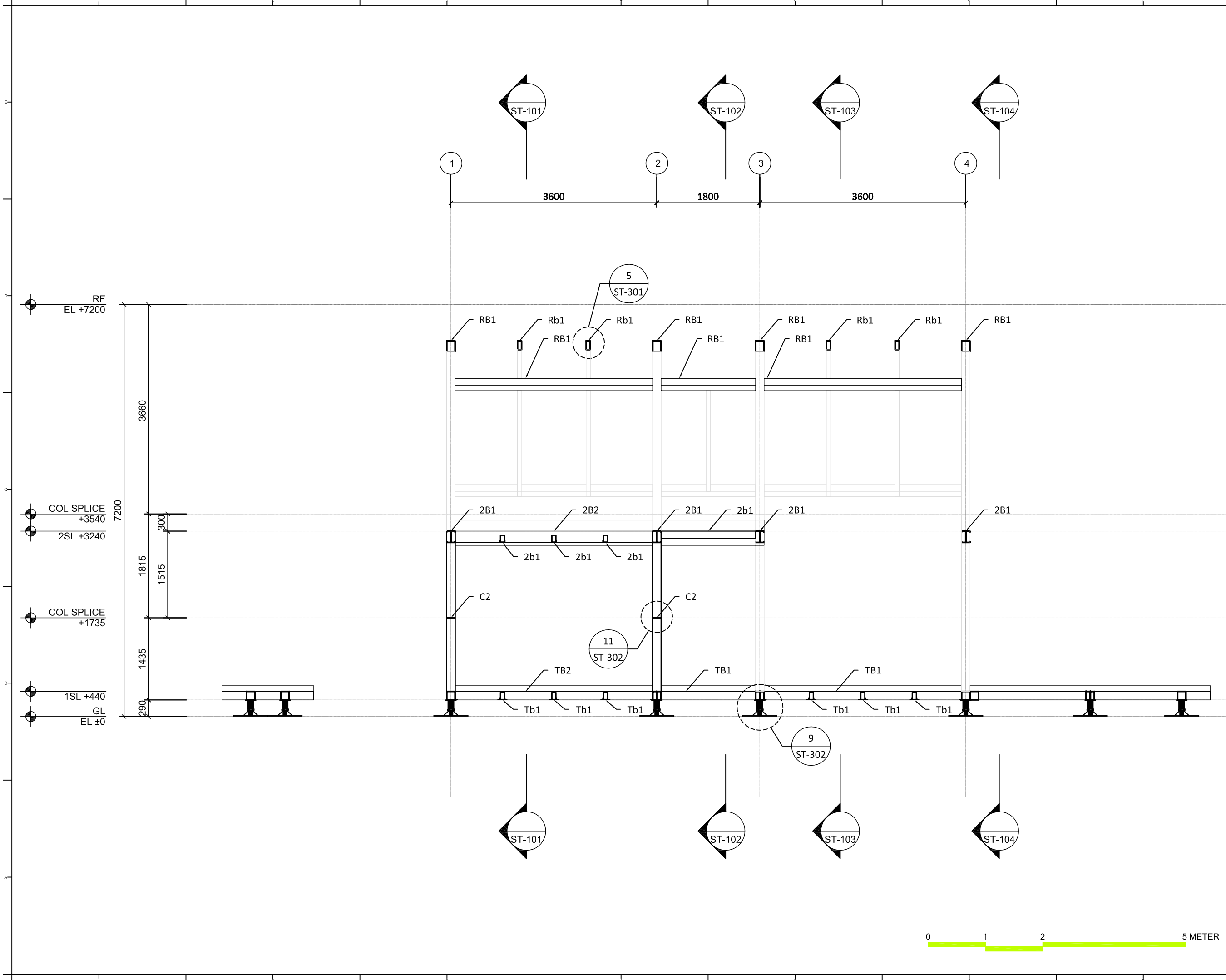
Note:

Mark	Date	Description
DN	2013/04/01	SD Submission
DN	2013/07/01	DDc Submission
ST	2013/11/01	DD Submission

Drawn by	ST
Checked by	DN
Scale	1:60
Unit	mm

DWG. Title
**STRUCTURAL
TRANSVERSAL SECTIONS
FRAME A-4**

DWG. No.
ST-113



Project:



Institution:



NCTU Architecture
國立交通大學建築研究所

Team Name: NCTU/UNICODE

Address: 1001 Ta-Hsueh Road
Hsinchu City 30010
Taiwan

Contact: www.sde.tw



Consultants:



Note:

Mark	Date	Description
DN	2013/04/01	SD Submission
DN	2013/07/01	DDc Submission
ST	2013/11/01	DD Submission

Drawn by ST

Checked by DN

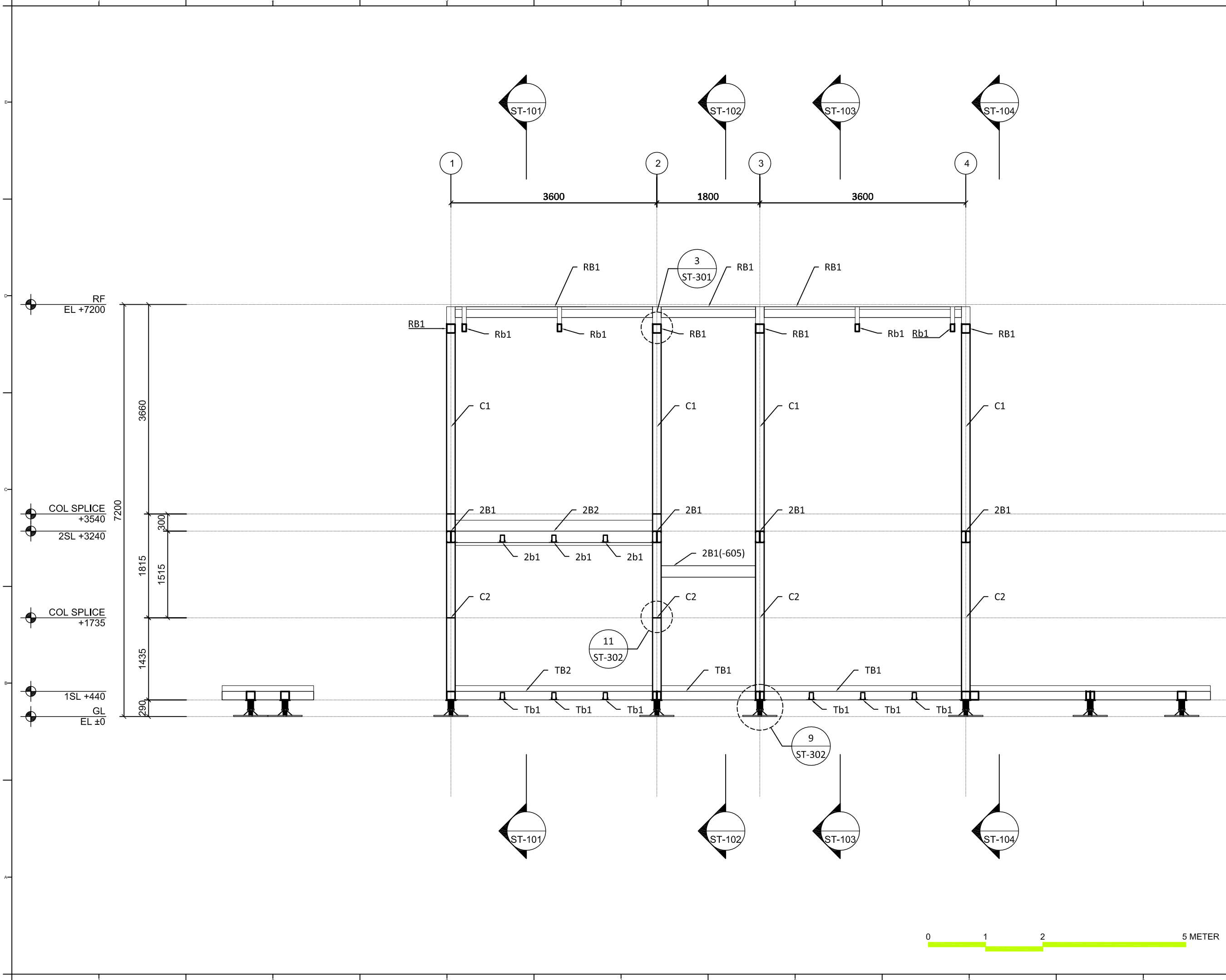
Scale 1:60

Unit mm

DWG. Title
**STRUCTURAL
TRANSVERSAL SECTIONS
FRAME B**

DWG. No.

ST-114



Project:



Institution:



NCTU Architecture
國立交通大學建築研究所

Team Name: NCTU/UNICODE
Address: 1001 Ta-Hsueh Road
Hsinchu City 30010
Taiwan
Contact: www.sde.tw



Consultants:



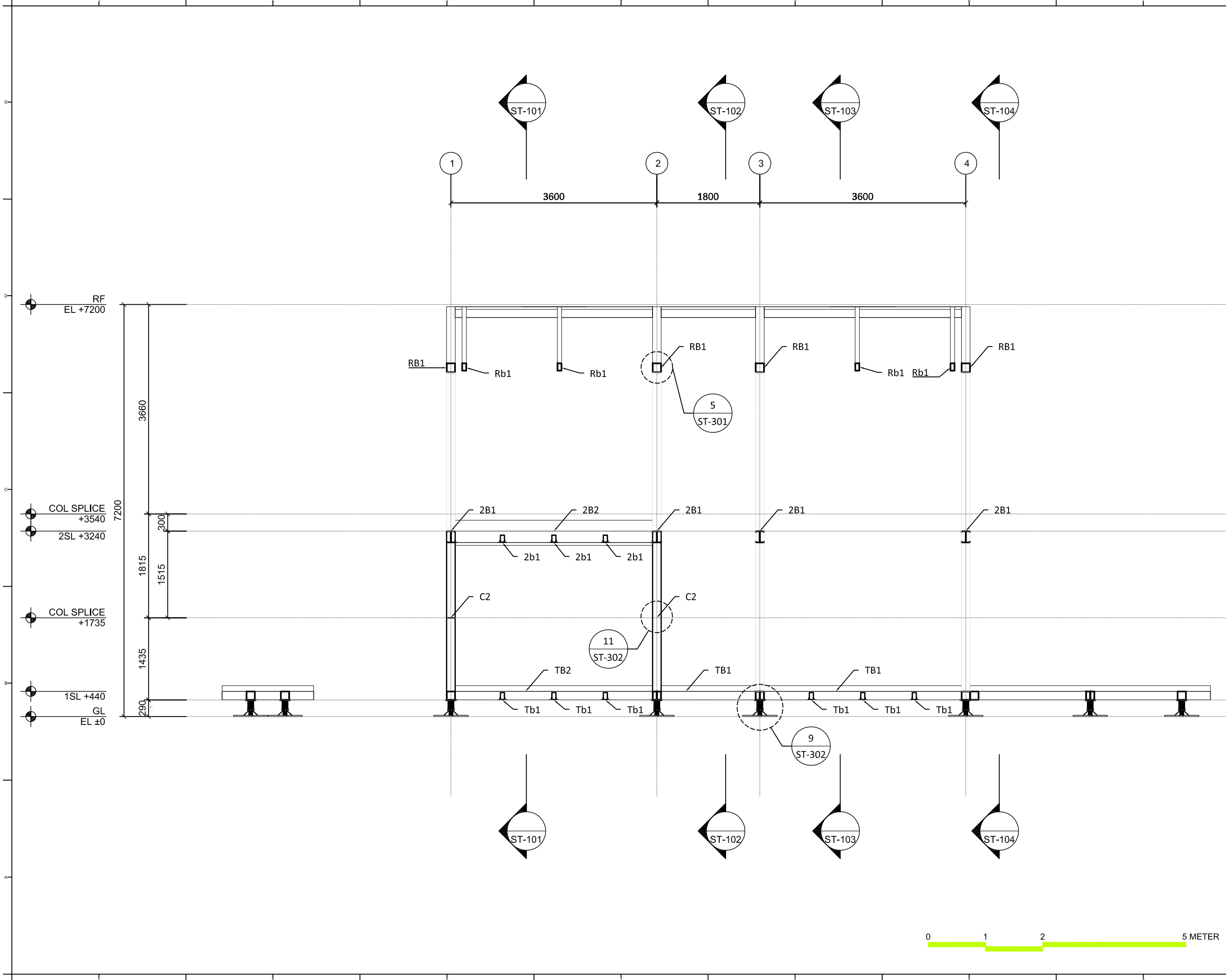
Note:

Mark	Date	Description
DN	2013/04/01	SD Submission
DN	2013/07/01	DDc Submission
ST	2013/11/01	DD Submission

Drawn by	ST
Checked by	DN
Scale	1:60
Unit	mm

DWG. Title
**STRUCTURAL
TRANSVERSAL SECTIONS
FRAME B-1**

DWG. No.
ST-115



Project:



Institution:



NCTU Architecture
國立交通大學建築研究所

Team Name: NCTU/UNICODE
Address: 1001 Ta-Hsueh Road
Hsinchu City 30010
Taiwan
Contact: www.sde.tw



Consultants:



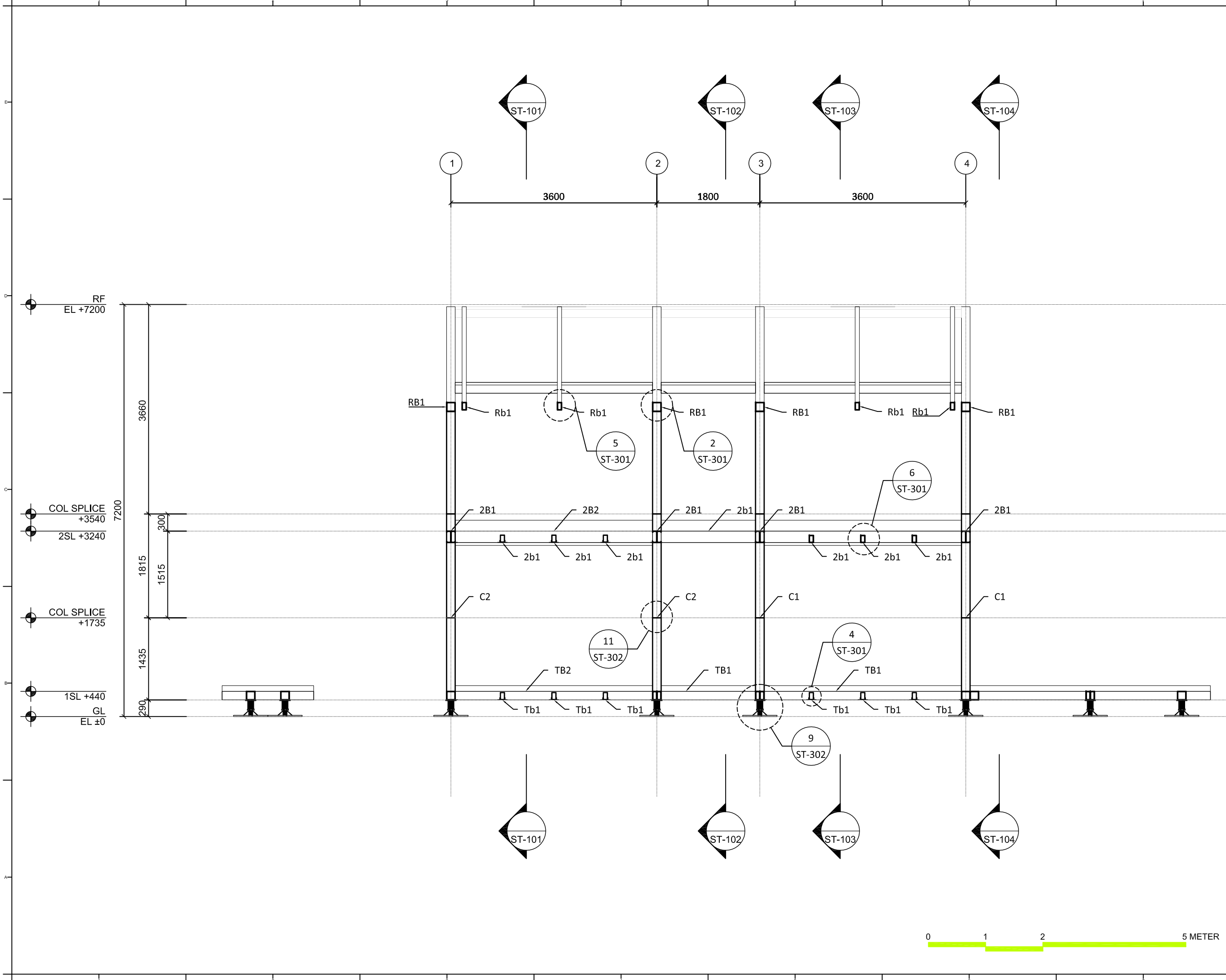
Note:

Mark	Date	Description
DN	2013/04/01	SD Submission
DN	2013/07/01	DDc Submission
ST	2013/11/01	DD Submission

Drawn by	ST
Checked by	DN
Scale	1:60
Unit	mm

DWG. Title
**STRUCTURAL
TRANSVERSAL SECTIONS
FRAME C**

DWG. No.
ST-116



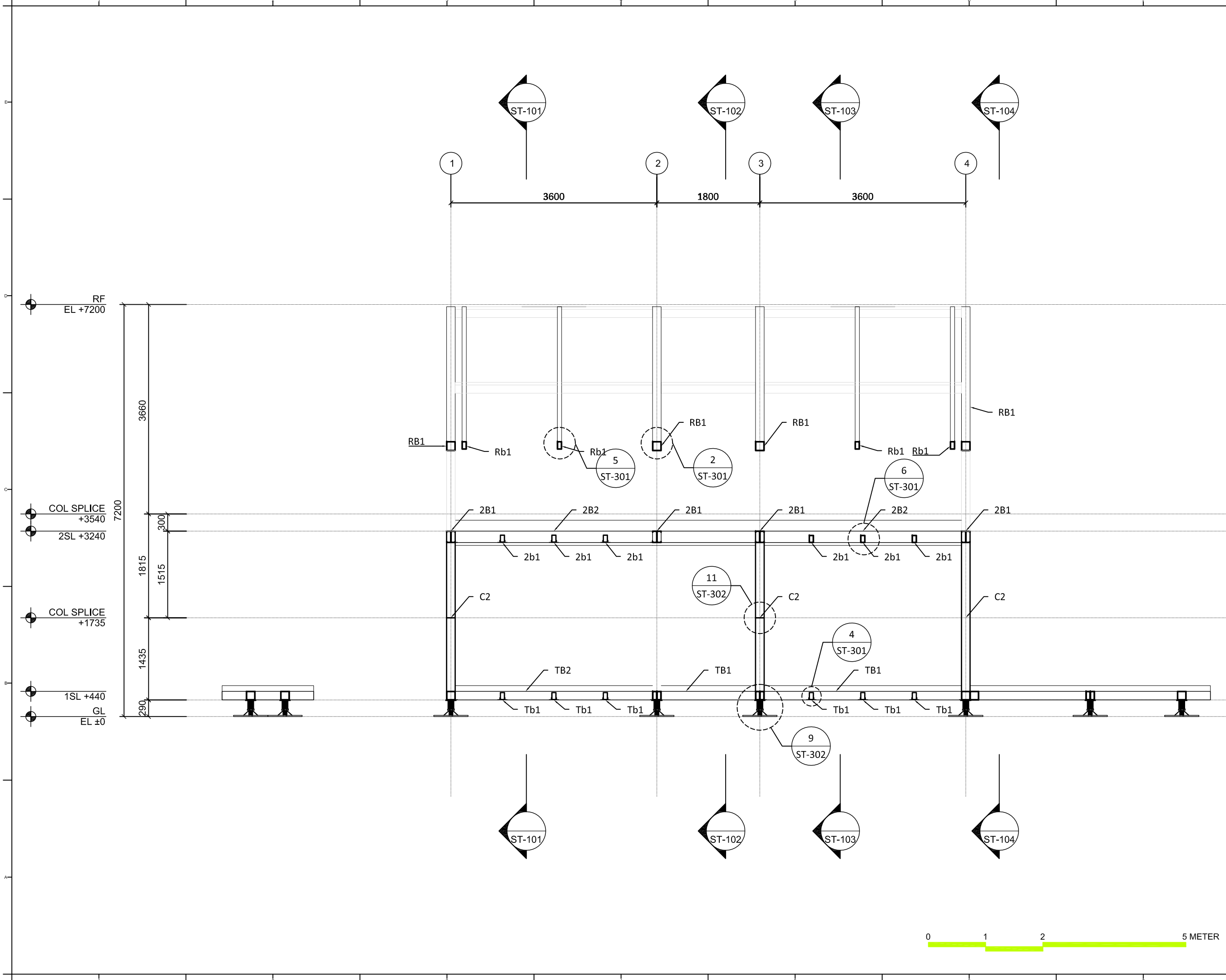


Mark	Date	Description
DN	2013/04/01	SD Submission
DN	2013/07/01	DDc Submission
ST	2013/11/01	DD Submission

Drawn by	ST
Checked by	DN
Scale	1:60
Unit	mm

DWG. Title
**STRUCTURAL
TRANSVERSAL SECTIONS
FRAME C-1**

DWG. No.
ST-117



Project:



Institution:



NCTU Architecture
國立交通大學建築研究所

Team Name: NCTU/UNICODE
Address: 1001 Ta-Hsueh Road
Hsinchu City 30010
Taiwan
Contact: www.sde.tw



Consultants:



Note:

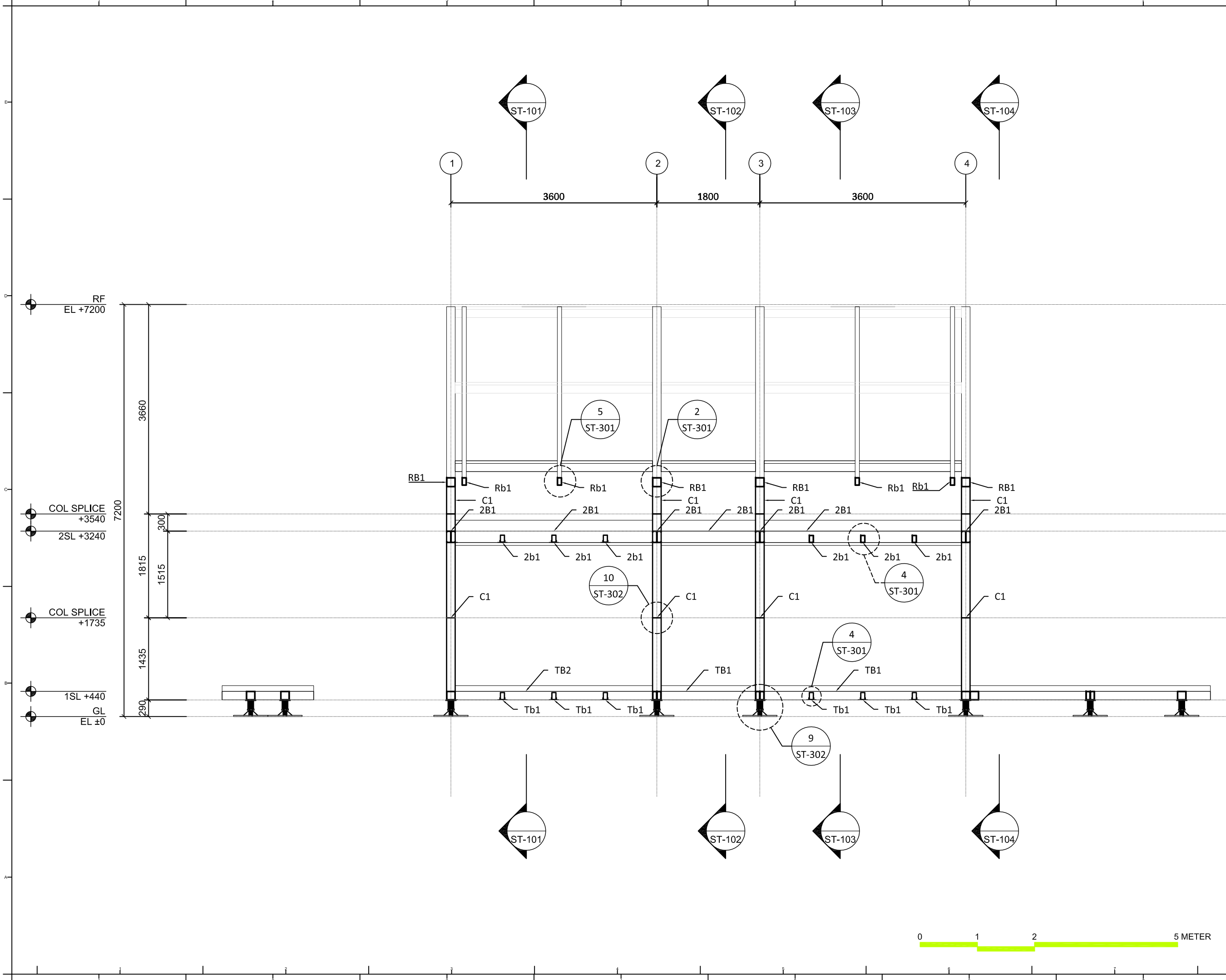
Mark	Date	Description
DN	2013/04/01	SD Submission
DN	2013/07/01	DDc Submission
ST	2013/11/01	DD Submission

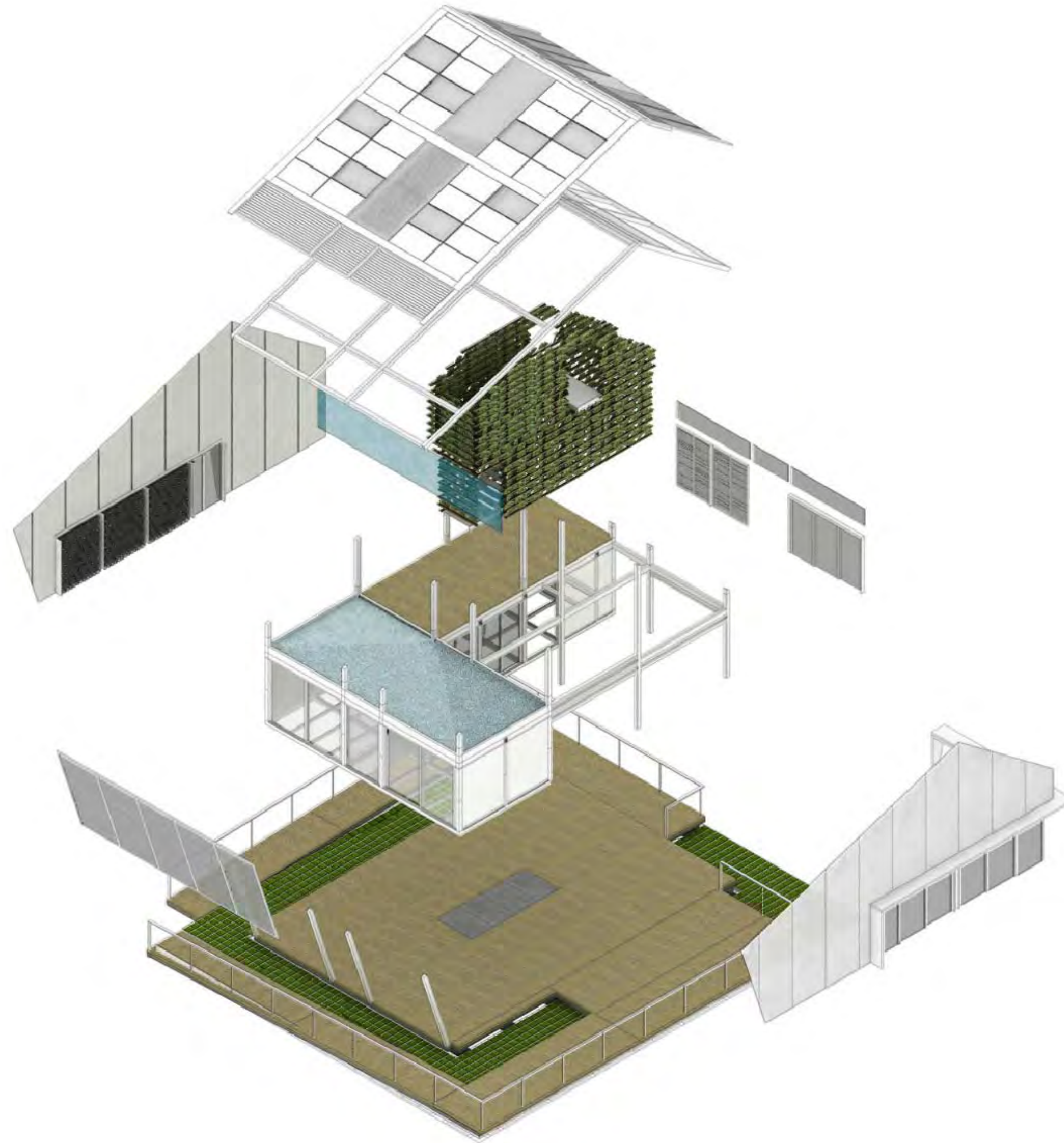
Drawn by	ST
Checked by	DN
Scale	1:60
Unit	mm

DWG. Title
**STRUCTURAL
TRANSVERSAL SECTIONS
FRAME D**

DWG. No.

ST-118





Project:



Institution:



NCTU Architecture
國立交通大學建築研究所

Team Name: NCTU/UNICODE
Address: 1001 Ta-Hsueh Road
Hsinchu City 30010
Taiwan
Contact: www.sde.tw



Consultants:



Note:

Mark	Date	Description
DN	2013/04/01	SD Submission
DN	2013/07/01	DDc Submission
ST	2013/11/01	DD Submission

Drawn by: CF
Checked by: DN
Scale: -
Unit: -

DWG. Title
STRUCTURAL BLOW UPS

DWG. No.
ST-201

Project:



Institution:



NCTU Architecture
國立交通大學建築研究所

Team Name: NCTU/UNICODE
Address: 1001 Ta-Hsueh Road
Hsinchu City 30010
Taiwan
Contact: www.sde.tw



Consultants:



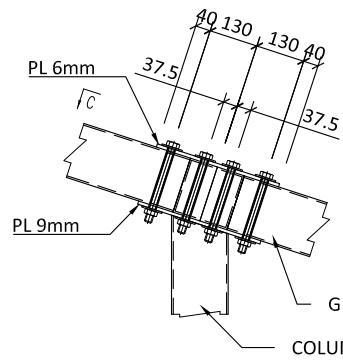
Note:

Mark	Date	Description
DN	2013/04/01	SD Submission
DN	2013/07/01	DDc Submission
ST	2013/11/01	DD Submission

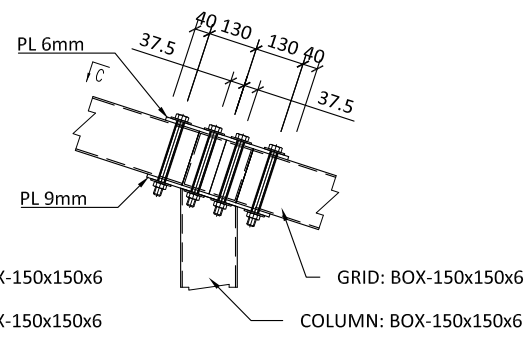
Drawn by	CF
Checked by	DN
Scale	1:20
Unit	mm

DWG. Title
STRUCTURAL DETAILS

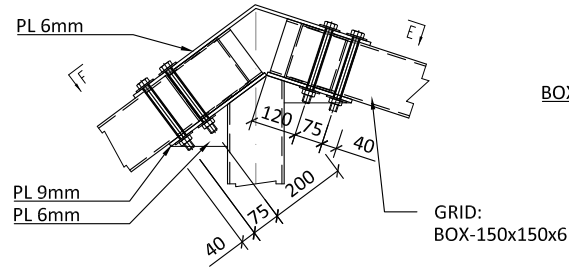
DWG. No.
ST-301



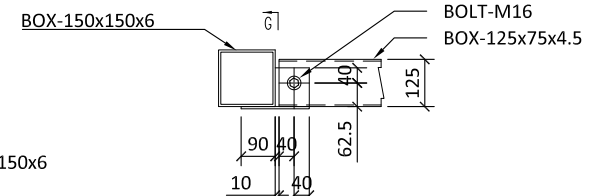
DETAIL 1



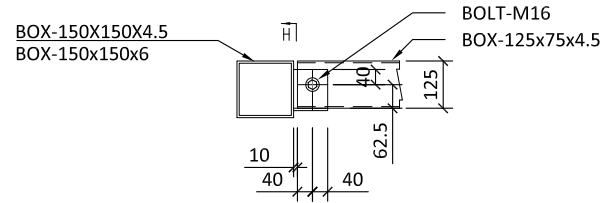
DETAIL 2



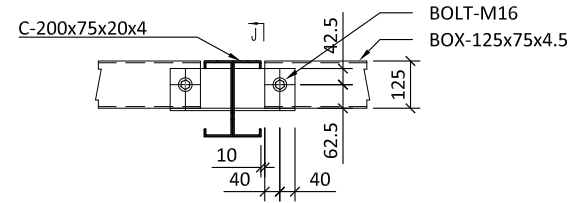
DETAIL 3



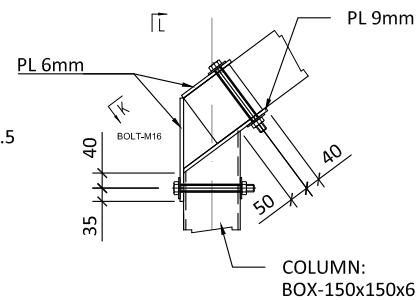
DETAIL 4



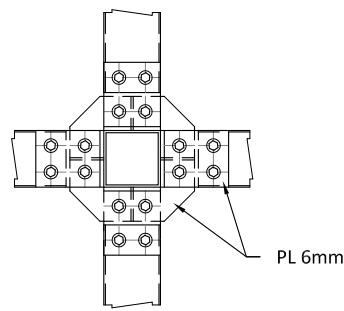
DETAIL 5



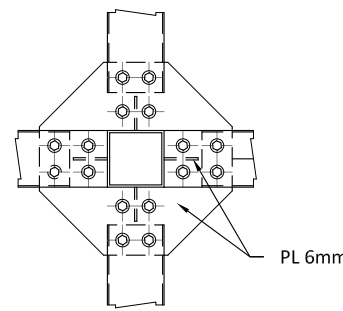
DETAIL 6



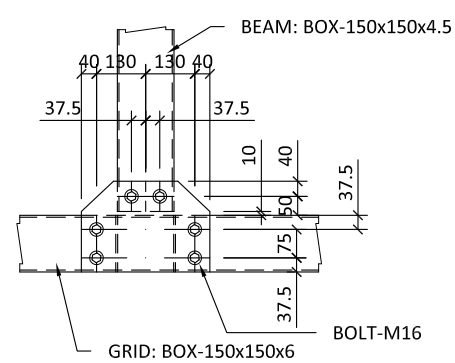
DETAIL 8



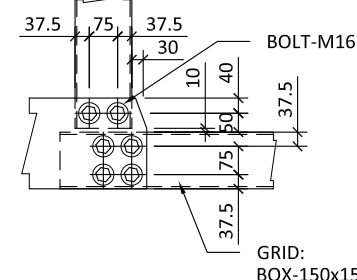
SECTION A



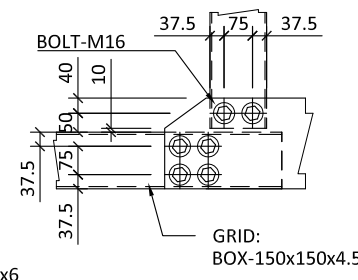
SECTION B



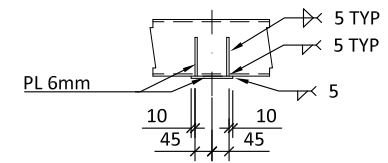
SECTION C



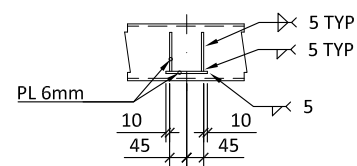
SECTION E



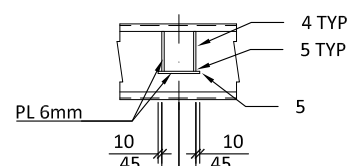
SECTION F



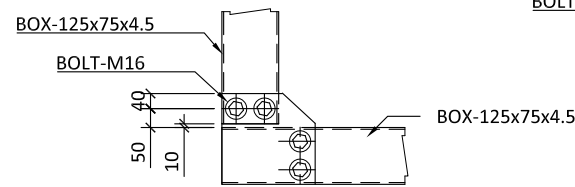
SECTION G



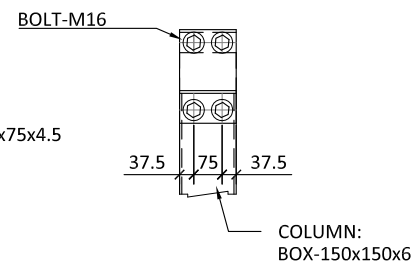
SECTION H



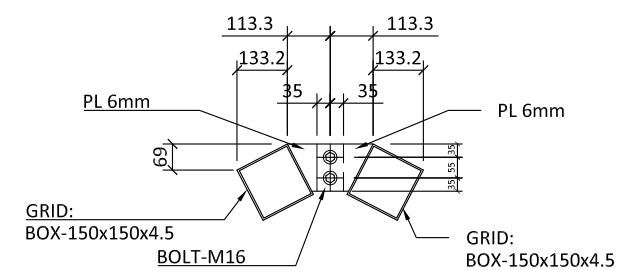
SECTION J



SECTION K

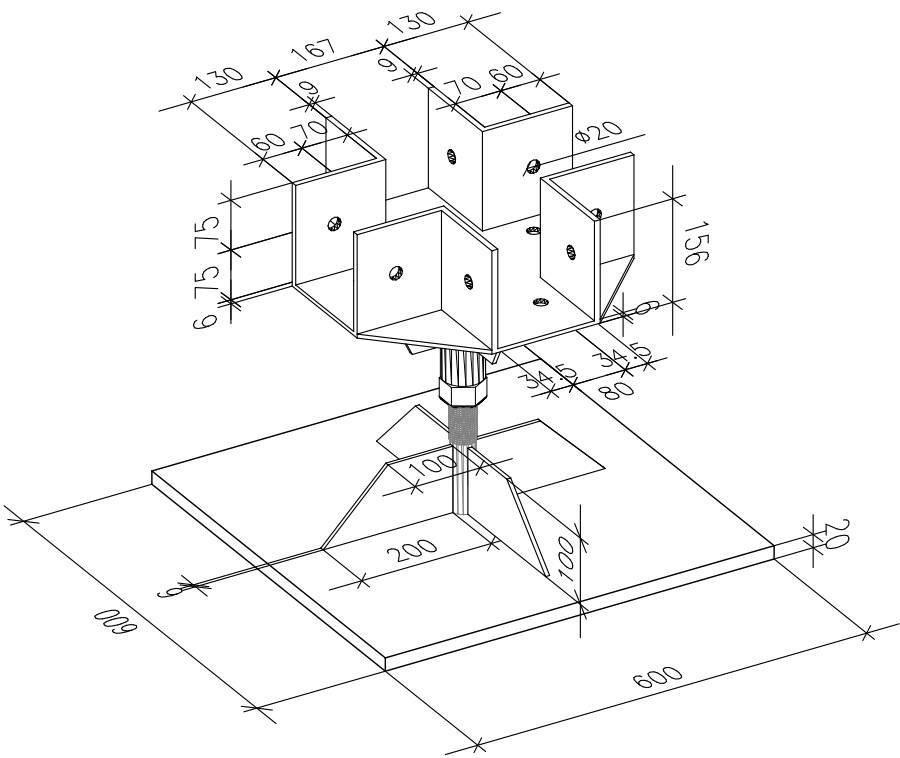


SECTION L

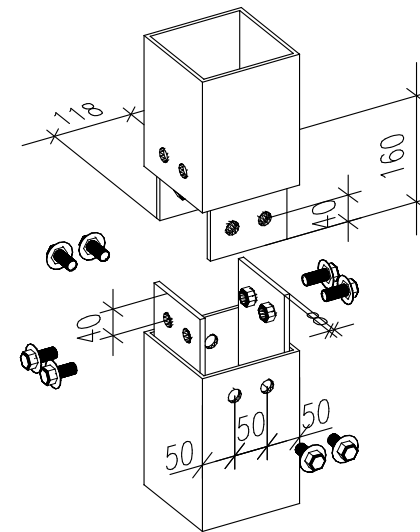


SECTION M

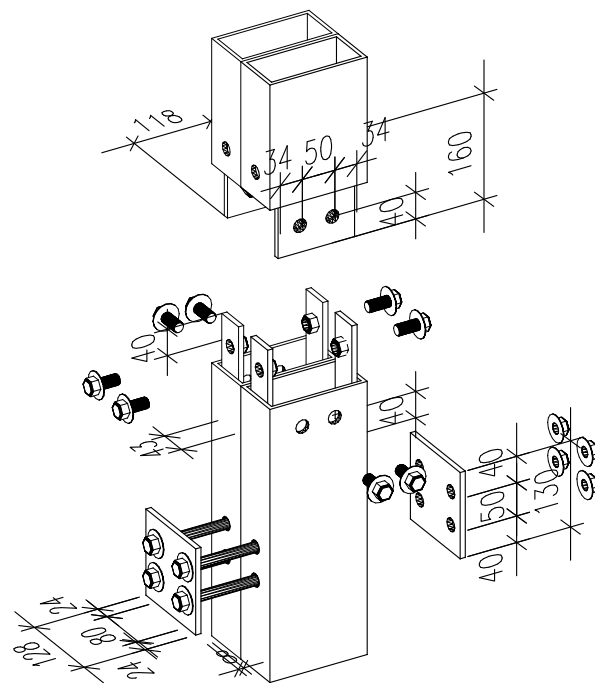




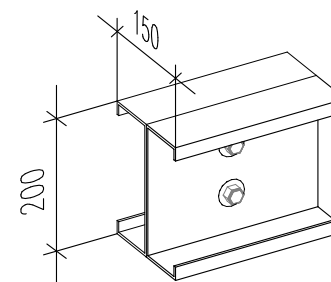
9



10



11



12

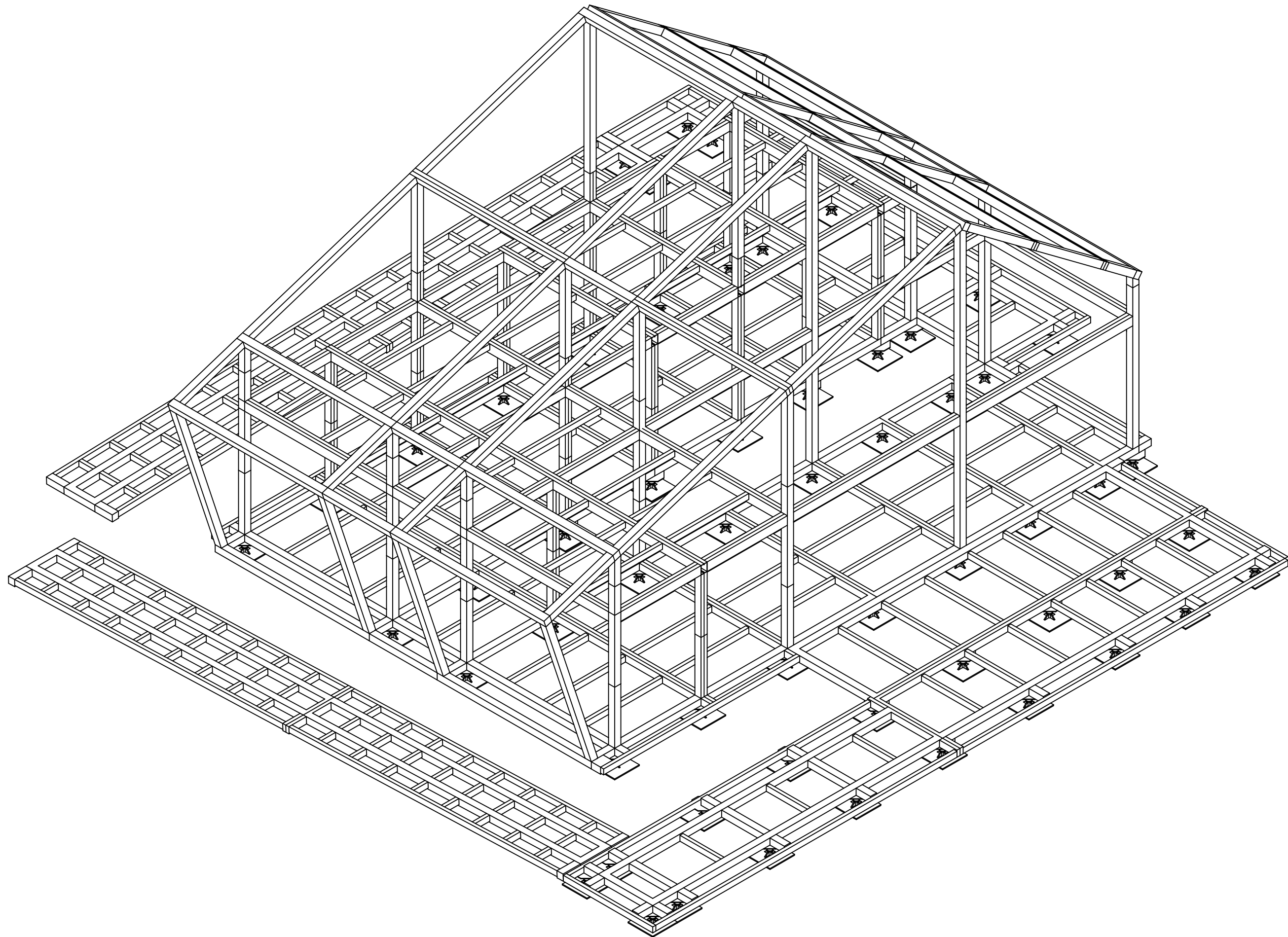


Mark	Date	Description
DN	2013/04/01	SD Submission
DN	2013/07/01	DDc Submission
ST	2013/11/01	DD Submission

Drawn by	CF
Checked by	DN
Scale	1:10
Unit	mm

DWG. Title
STRUCTURE DETAILS
AXON

DWG. No.
ST-302



Project:



Institution:



NCTU Architecture
國立交通大學建築研究所

Team Name: NCTU/UNICODE
Address: 1001 Ta-Hsueh Road
Hsinchu City 30010
Taiwan
Contact: www.sde.tw



Consultants:



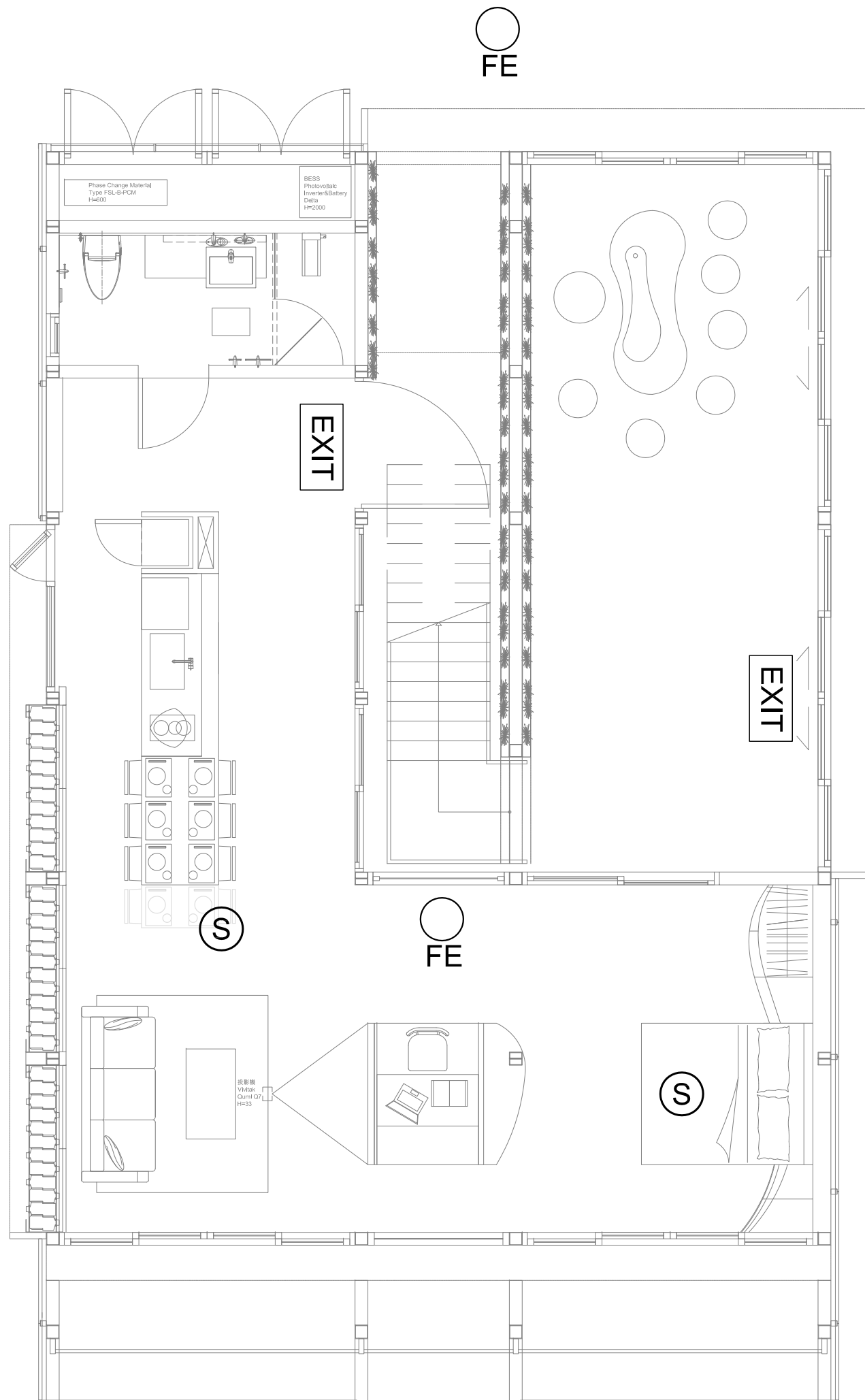
Note:

Mark	Date	Description
DN	2013/04/01	SD Submission
DN	2013/07/01	DDc Submission
ST	2013/11/01	DD Submission

Drawn by	ST
Checked by	DN
Scale	N/A
Unit	N/A

DWG. Title
STRUCTURAL AXON

DWG. No.
ST-401



Project:



Institution:



NCTU Architecture
國立交通大學建築研究所

Team Name: NCTU/UNICODE

Address: 1001 Ta-Hsueh Road
Hsinchu City 30010
Taiwan

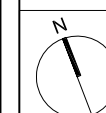
Contact: www.sde.tw



Consultants:



Note:



Mark	Date	Description
DN	2013/04/01	SD Submission
DN	2013/07/01	DDc Submission
ST	2013/11/01	DD Submission

Drawn by	CF
Checked by	DN
Scale	1:60
Unit	mm

DWG. Title
**FIRE PROTECTION
GROUND LEVEL**

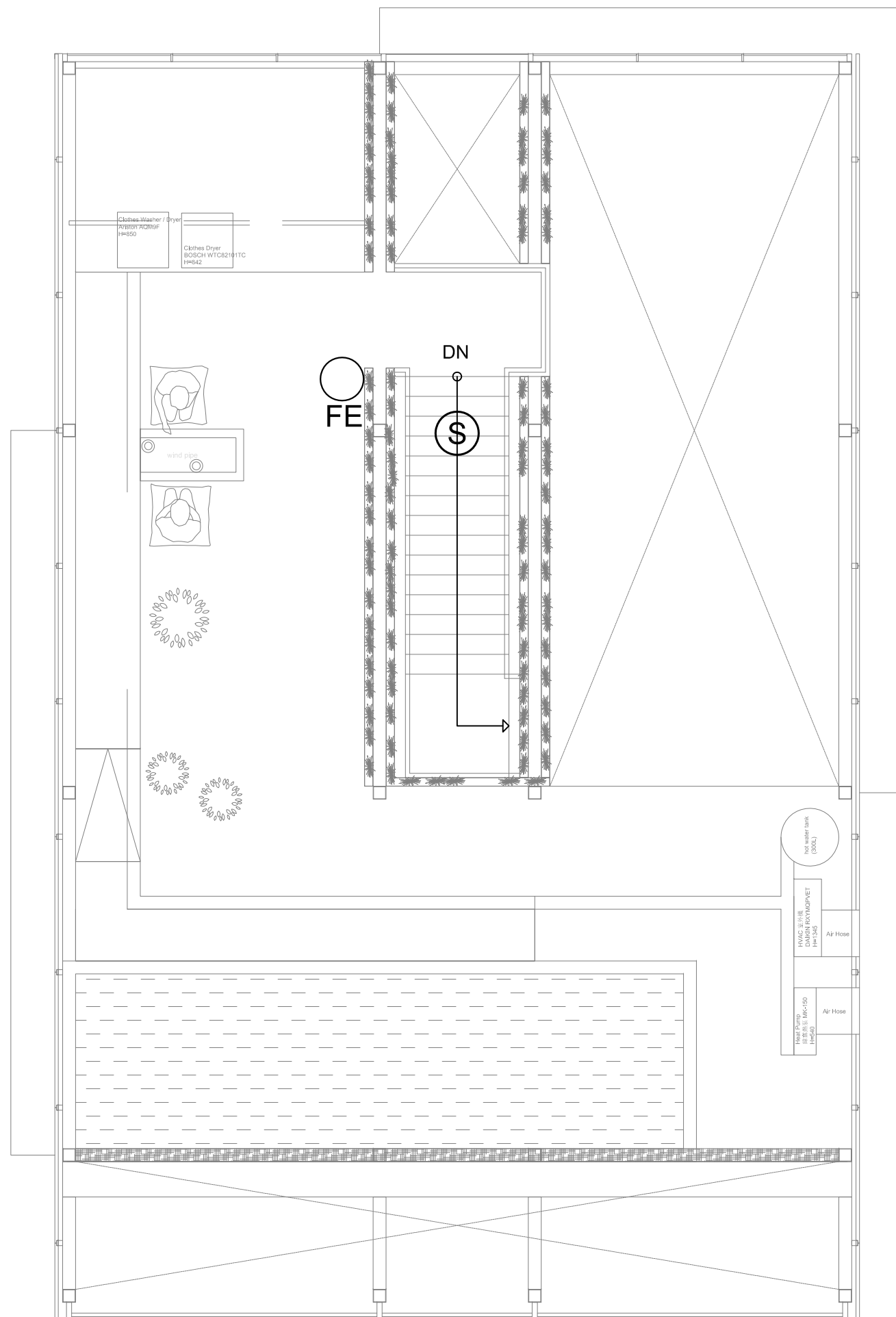
DWG. No.
FP-001



Ⓢ Smoke Detector/Alarm

○ FE Fire Extinguisher

EXIT Exist Sign (Fluorescent screen)

0 1 2 5 METER



-  Smoke Detector/Alarm
-  Fire Extinguisher



Project:



Institution:



NCTU Architecture
國立交通大學建築研究所

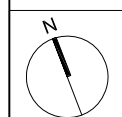
Team Name: NCTU/UNICODE
Address: 1001 Ta-Hsueh Road
Hsinchu City 30010
Taiwan
Contact: www.sde.tw



Consultants:



Note:

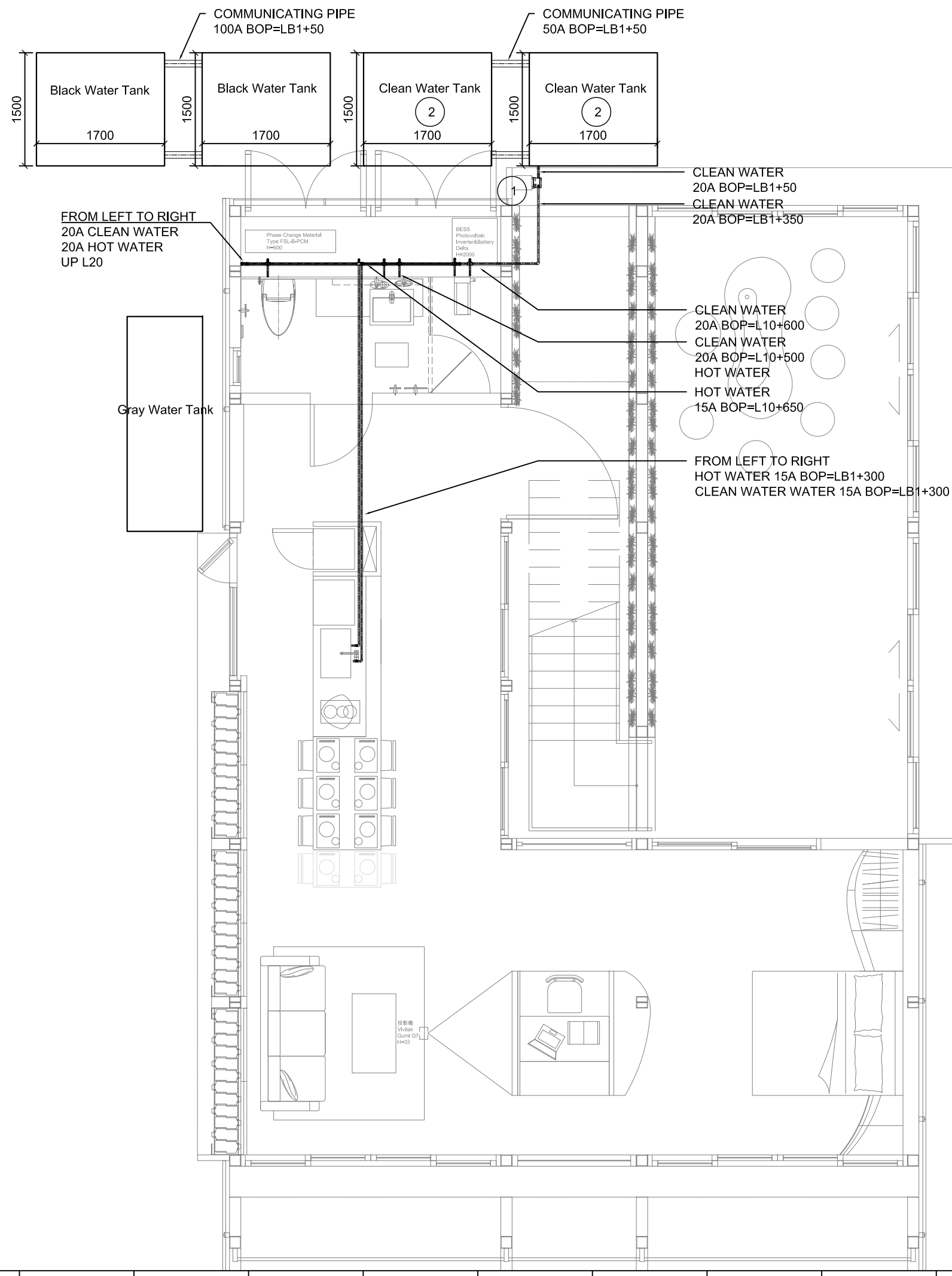


Mark	Date	Description
DN	2013/04/01	SD Submission
DN	2013/07/01	DDc Submission
ST	2013/11/01	DD Submission

Drawn by	CF
Checked by	DN
Scale	1:60
Unit	mm

DWG. Title
**FIRE PROTECTION
MEZZANINE LEVEL**

DWG. No.
FP-002



- NOTE:
- Clean water pump / Booster pump, 1/2HP
 - Clean water tank 1M³x2



Project:



Institution:



NCTU Architecture
國立交通大學建築研究所

Team Name: NCTU/UNICODE
Address: 1001 Ta-Hsueh Road
Hsinchu City 30010
Taiwan
Contact: www.sde.tw



Consultants:



Note:

Mark	Date	Description
DN	2013/04/01	SD Submission
DN	2013/07/01	DD Submission
ST	2013/11/01	DD Submission

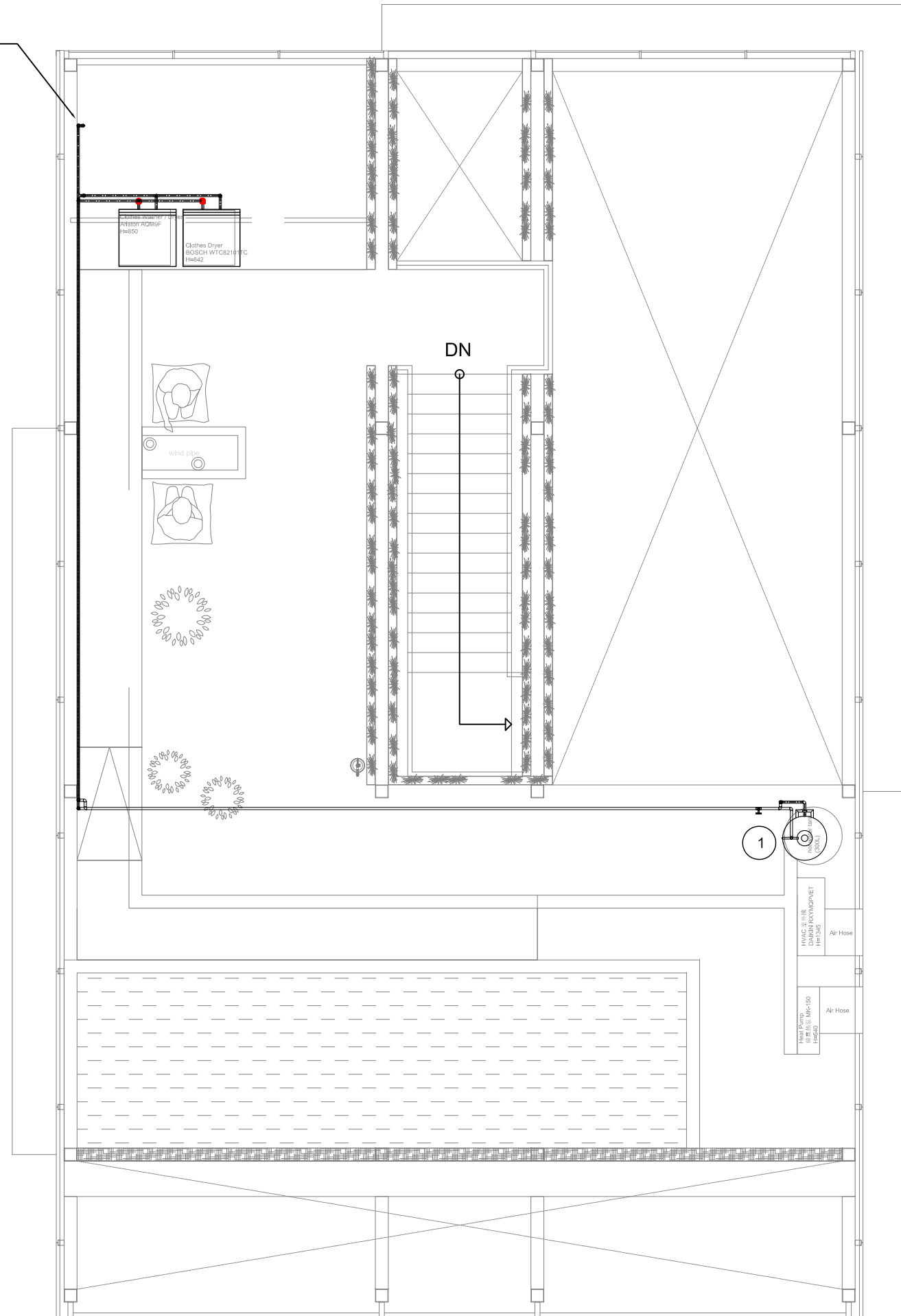
Drawn by	CF
Checked by	DN
Scale	1:60
Unit	mm

DWG. Title
PLUMBING
SUPPLY AND REMOVAL
GROUND LEVEL PLAN

DWG. No.

PL-001

FROM LEFT TO RIGHT
 20A CLEAN WATER
 20A HOT WATER
 DN L10



NOTE:
 1. Domestic hot water tank 246L.



Project:



Institution:



NCTU Architecture
 國立交通大學建築研究所

Team Name: NCTU/UNICODE

Address: 1001 Ta-Hsueh Road
 Hsinchu City 30010
 Taiwan

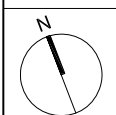
Contact: www.sde.tw



Consultants:



Note:



Mark	Date	Description
DN	2013/04/01	SD Submission
DN	2013/07/01	DDc Submission
ST	2013/11/01	DD Submission

Drawn by: CF

Checked by: DN

Scale: 1:60

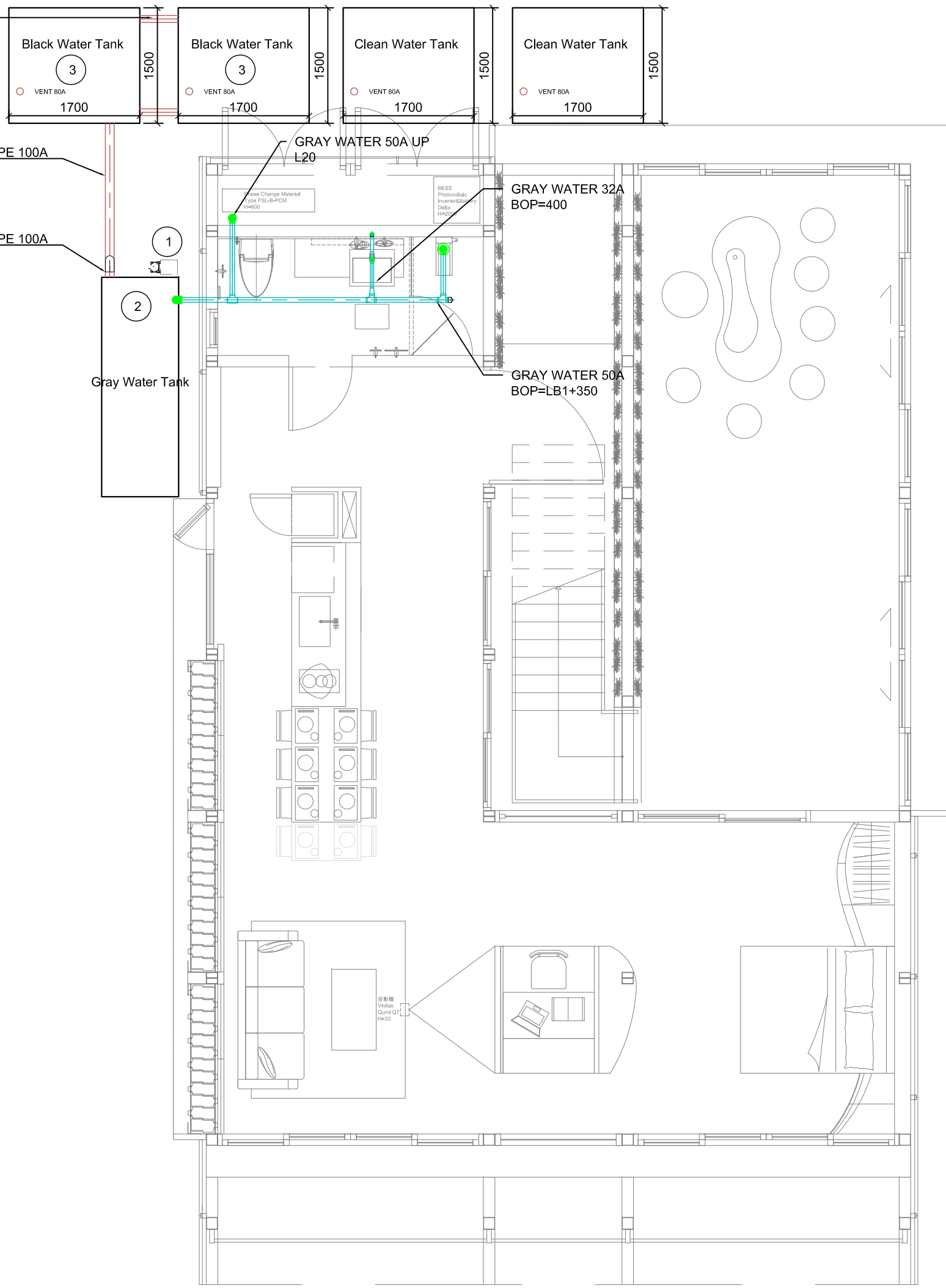
Unit: mm

DWG. Title
**PLUMBING
 SUPPLY AND REMOVAL
 MEZZANINE LEVEL PLAN**

DWG. No.

PL-002

COMMUNICATING PIPE
100A BOP=LB1+50



OVERFLOW PIPE 100A
BOP=LB1+50

OVERFLOW PIPE 100A
BOP=LB1+300

GRAY WATER 50A UP
L20

GRAY WATER 32A
BOP=400

GRAY WATER 50A
BOP=LB1+350

Gray Water Tank

- NOTE:
- 1.Gray water pump / 1/4 HP
 - 2.Gray water tank 1M³
 - 3.Black water tank 1M³x2



NCTU Architecture
國立交通大學建築研究所

Team Name: NCTU/UNICODE
Address: 1001 Ta-Hsueh Road
Hsinchu City 30010
Taiwan
Contact: www.sde.tw



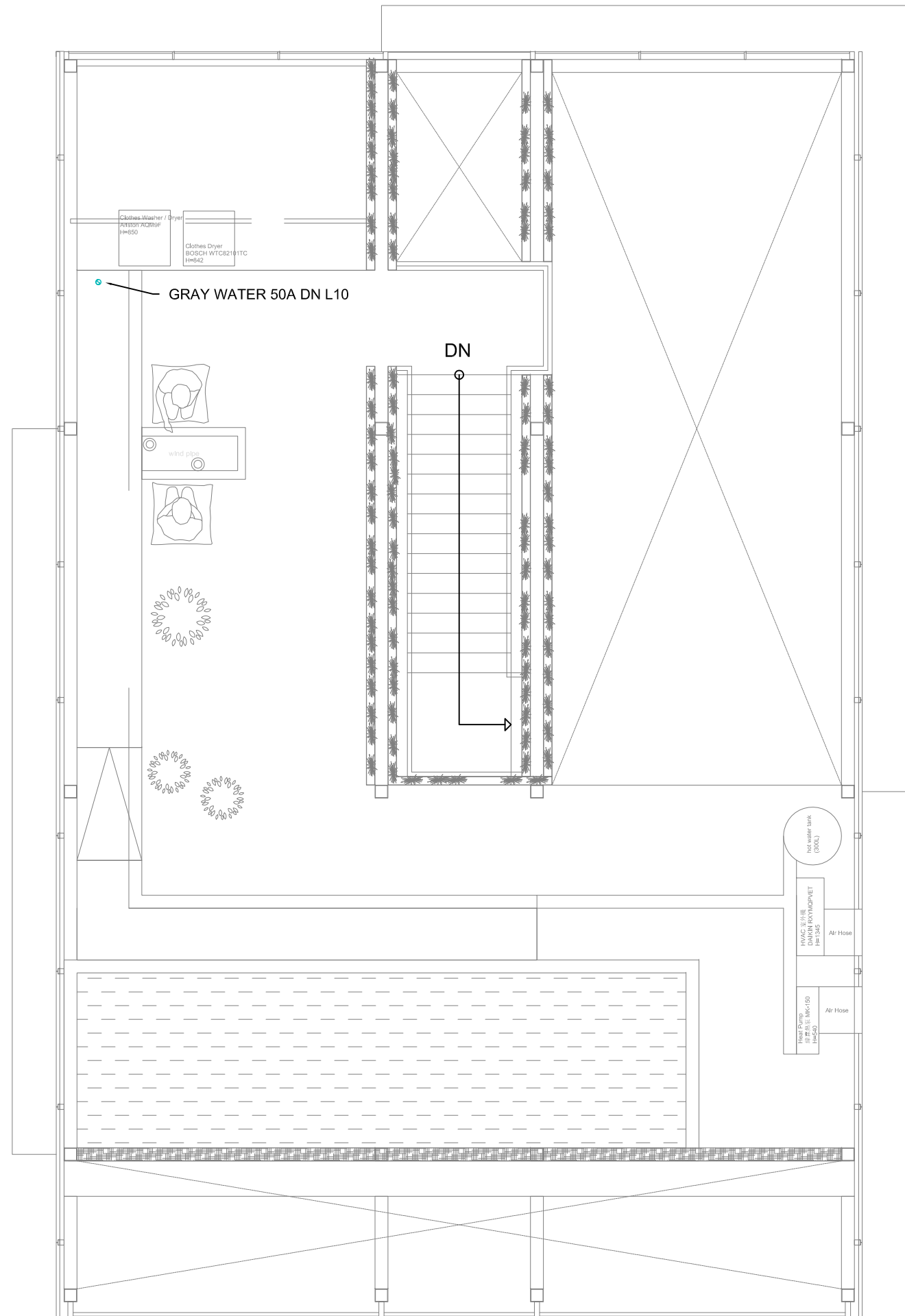
Note:

Mark	Date	Description
DN	2013/04/01	SD Submission
DN	2013/07/01	DDc Submission
ST	2013/11/01	DD Submission

Drawn by	CF
Checked by	DN
Scale	1:60
Unit	mm

DWG. Title
**GRAY WATER
GROUND LEVEL**

DWG. No.
PL-011



NCTU Architecture
國立交通大學建築研究所

Team Name: NCTU/UNICODE
Address: 1001 Ta-Hsueh Road
Hsinchu City 30010
Taiwan
Contact: www.sde.tw



Note:

Mark	Date	Description
DN	2013/04/01	SD Submission
DN	2013/07/01	DDc Submission
ST	2013/11/01	DD Submission

Drawn by	CF
Checked by	DN
Scale	1:60
Unit	mm

DWG. Title
**GRAY WATER
MEZZANINE LEVEL**

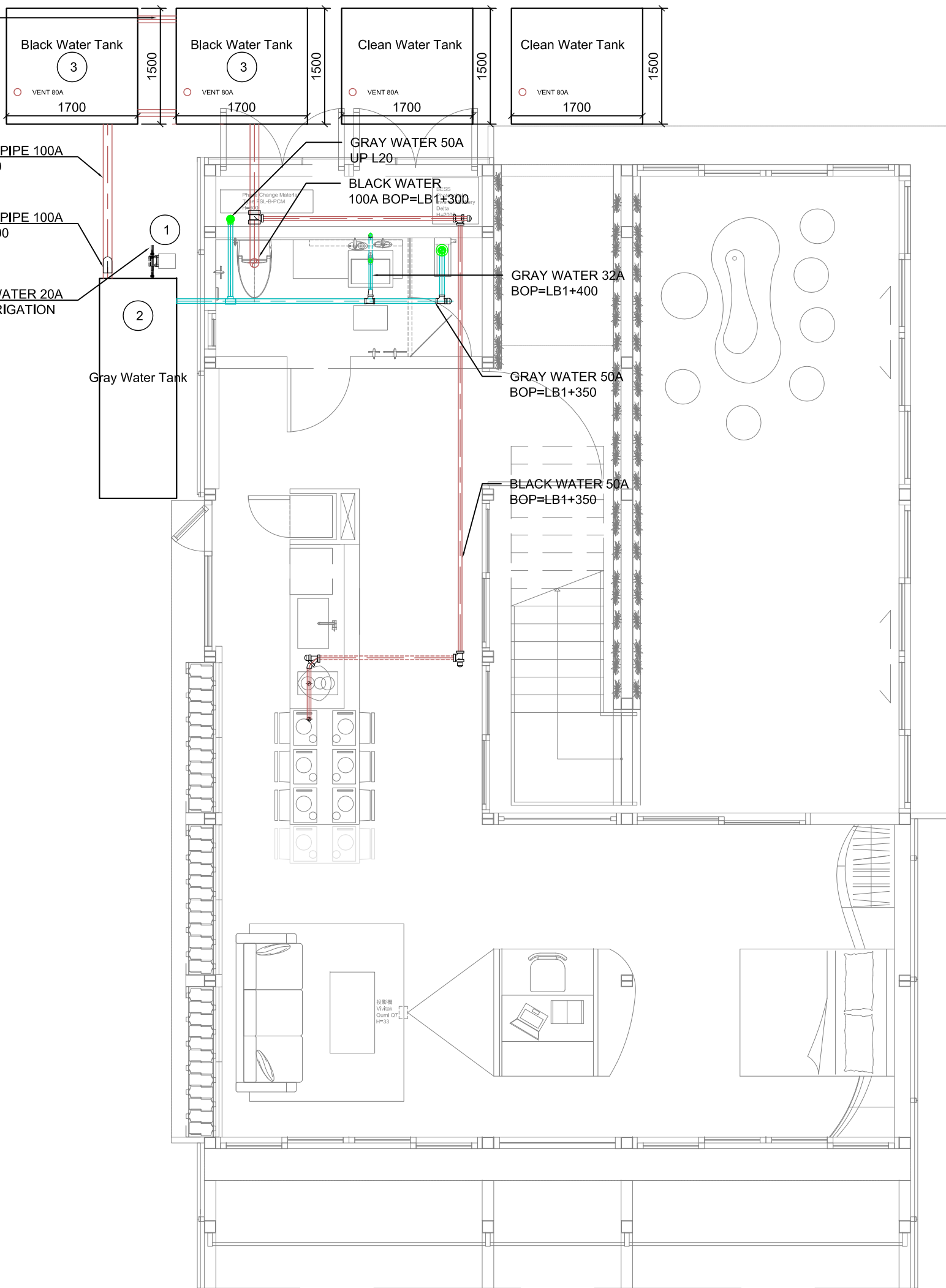
DWG. No.
PL-012

COMMUNICATION PIPE
100A BOP=LB1+50

OVERFLOW PIPE 100A
BOP=LB1+50

OVERFLOW PIPE 100A
BOP=LB1+300

GRAY WATER 20A
FOR IRRIGATION



- NOTE:
1. Gray water pump / 1/4 HP
 2. Gray water tank 1M³
 3. Black water tank 1M³x2

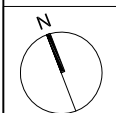


NCTU Architecture
國立交通大學建築研究所

Team Name: NCTU/UNICODE
Address: 1001 Ta-Hsueh Road
Hsinchu City 30010
Taiwan
Contact: www.sde.tw



Note:



Mark	Date	Description
DN	2013/04/01	SD Submission
DN	2013/07/01	DDc Submission
ST	2013/11/01	DD Submission

Drawn by	CF
Checked by	DN
Scale	1:60
Unit	mm

DWG. Title
DRAIN / WASTE / VENT L10

DWG. No.
PL-021

Project:



Institution:



NCTU Architecture
國立交通大學建築研究所

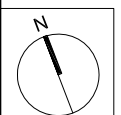
Team Name: NCTU/UNICODE
Address: 1001 Ta-Hsueh Road
Hsinchu City 30010
Taiwan
Contact: www.sde.tw



Consultants:



Note:



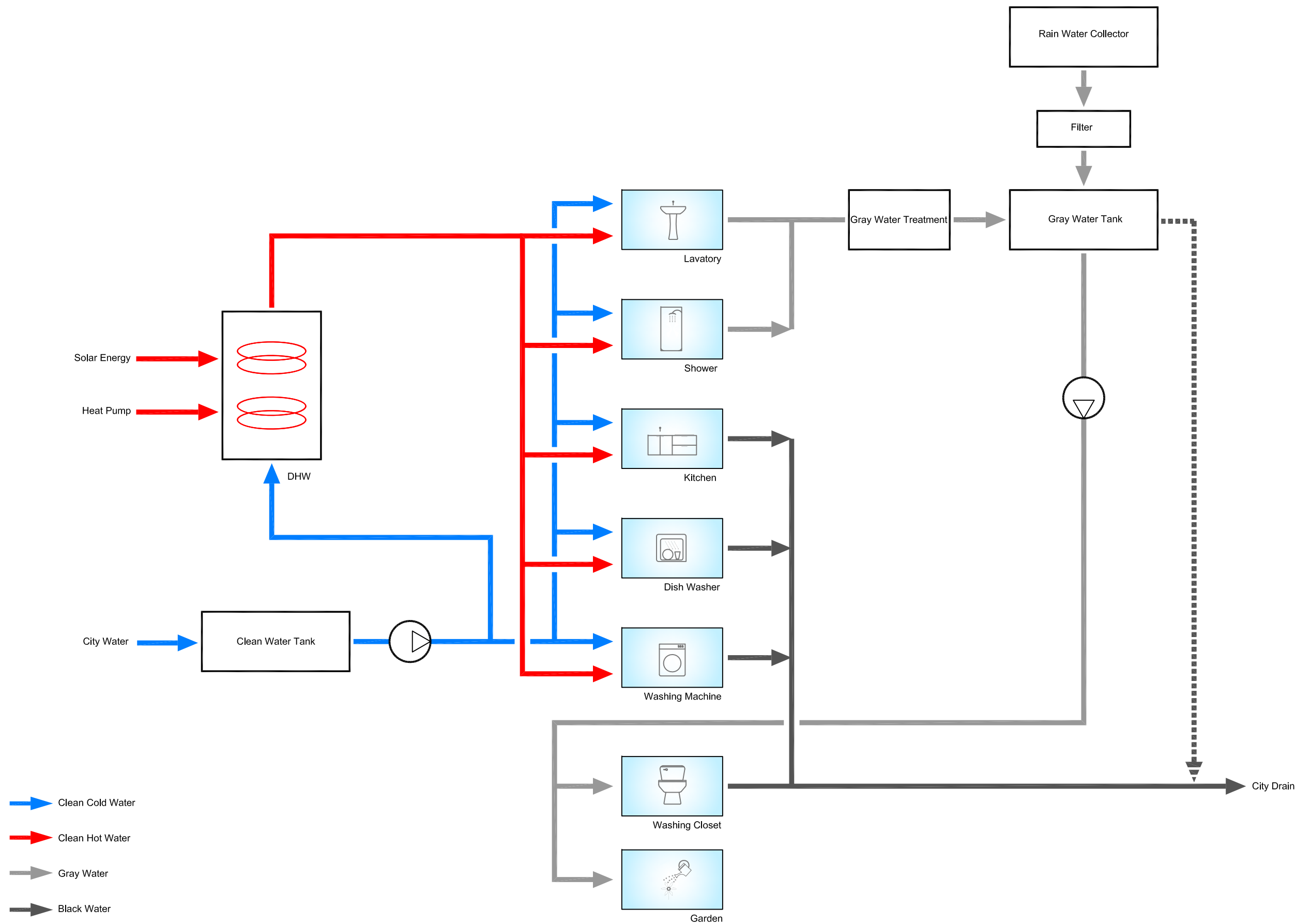
Mark	Date	Description
DN	2013/04/01	SD Submission
DN	2013/07/01	DDc Submission
ST	2013/11/01	DD Submission

Drawn by	CF
Checked by	DN
Scale	N/A
Unit	N/A

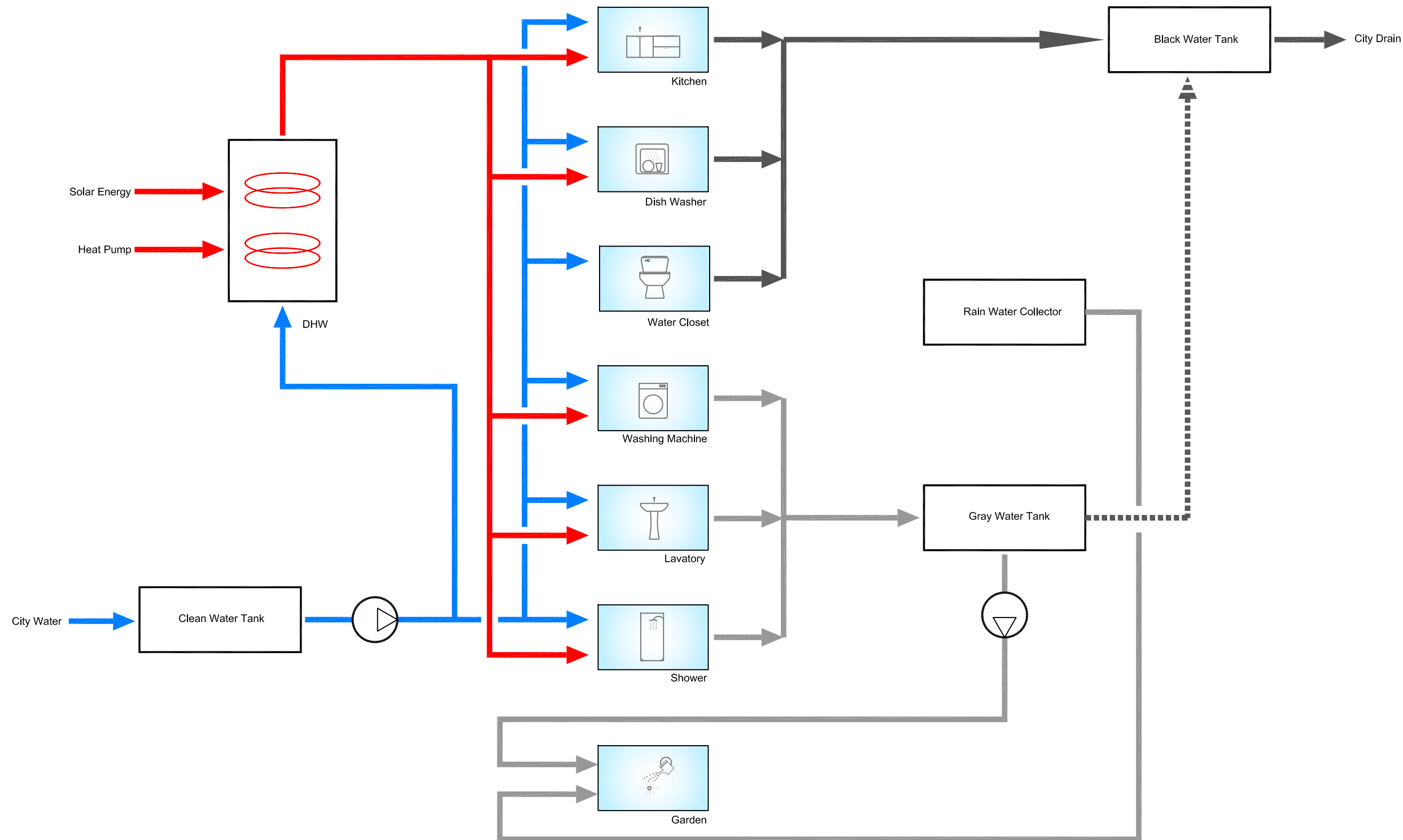
DWG. Title
**SCHEMATIC DIAGRAM
ORCHID HOUSE IN TAIWAN**

DWG. No.

PL-101



- Clean Cold Water
- Clean Hot Water
- Gray Water
- Black Water
- Overflow Water



- ➔ Clean Cold Water
- ➔ Clean Hot Water
- ➔ Gray Water
- ➔ Black Water
- - - ➔ Overflow Water



Project:



Institution:



NCTU Architecture
國立交通大學建築研究所

Team Name: NCTU/UNICODE
Address: 1001 Ta-Hsueh Road
Hsinchu City 30010
Taiwan
Contact: www.sde.tw



Consultants:



Note:

Mark	Date	Description
DN	2013/04/01	SD Submission
DN	2013/07/01	DDc Submission
ST	2013/11/01	DD Submission

Drawn by	CF
Checked by	DN
Scale	N/A
Unit	N/A

DWG. Title
**SCHEMATIC DIAGRAM
ORCHID HOUSE IN
COMPETITION SITE**

DWG. No.
PL-102

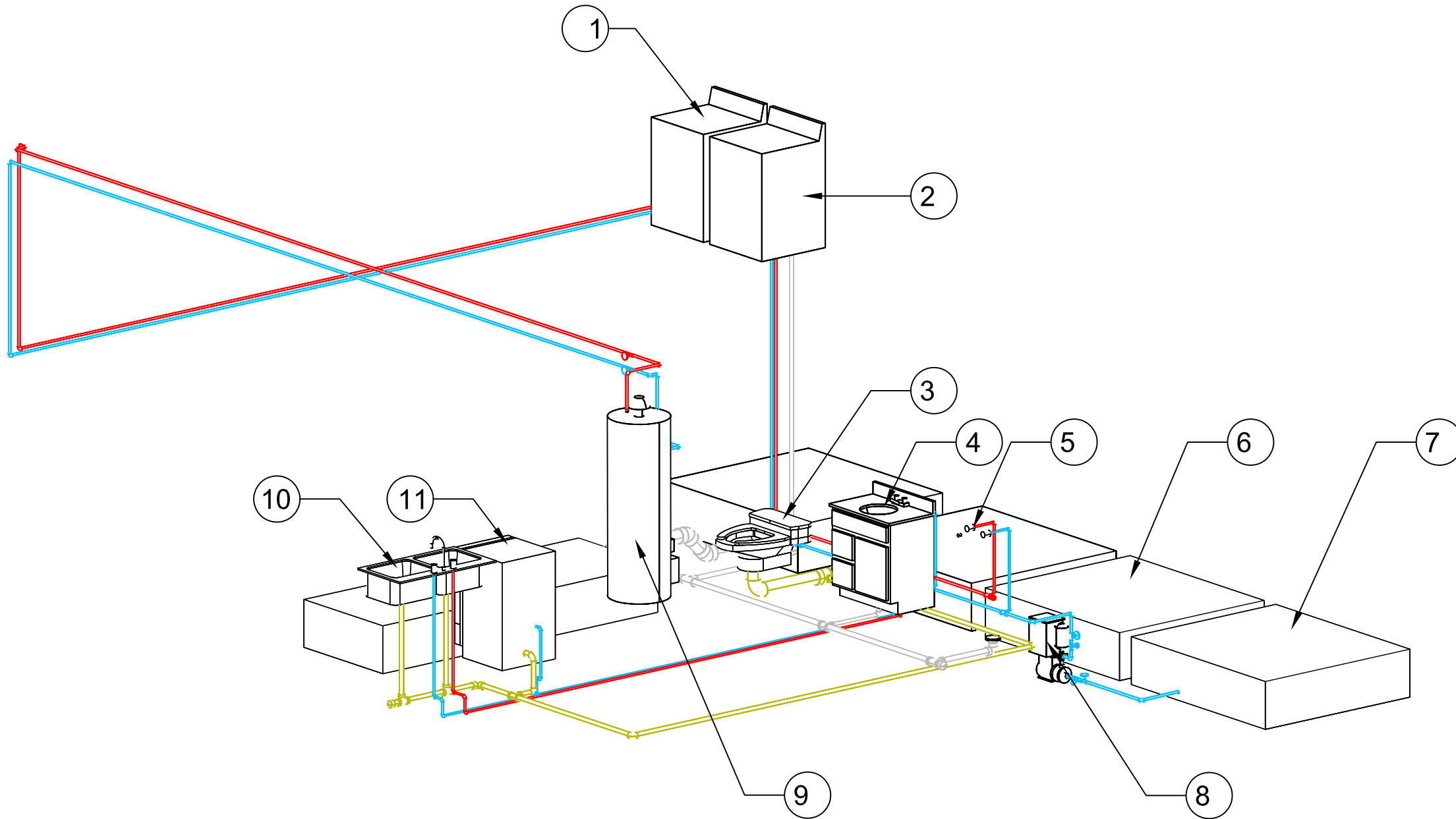


Mark	Date	Description
DN	2013/04/01	SD Submission
DN	2013/07/01	DDc Submission
ST	2013/11/01	DD Submission

Drawn by	CF
Checked by	DN
Scale	1:40
Unit	mm

DWG. Title
**SUPPLY AND REMOVAL
CLEAN WATER ISOMETRIC**

DWG. No.
PL-201



- ① Clothes Washer
- ② Clothes Dryer
- ③ Water Closet
- ④ Lavatory
- ⑤ Shower Head
- ⑥ Clean Water Tank
- ⑦ Clean Water Tank
- ⑧ Clean Water Booster Pump
- ⑨ Domestic Hot Water Tank
- ⑩ Kitchen Sink
- ⑪ Dish Washer



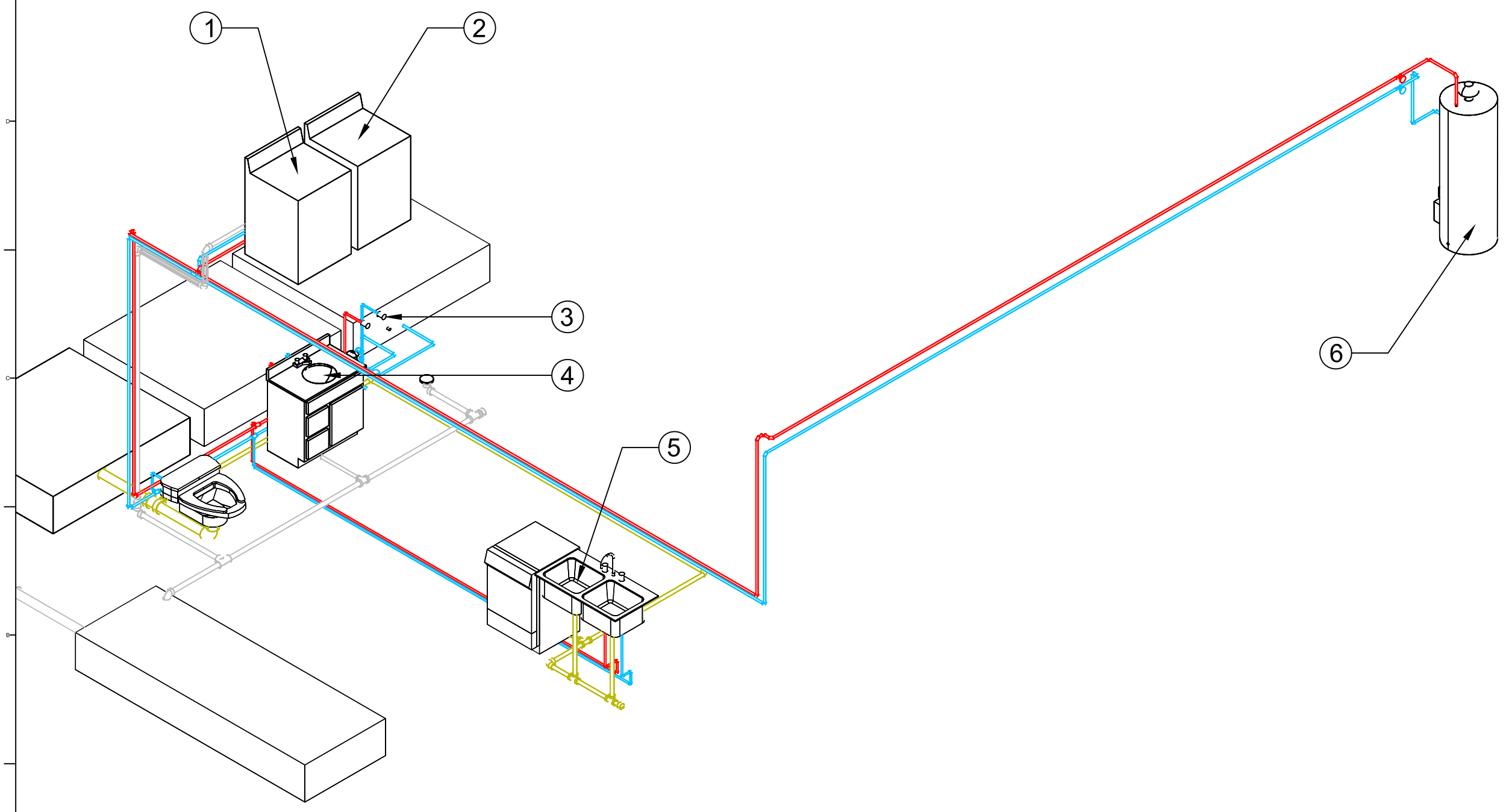


Mark	Date	Description
DN	2013/04/01	SD Submission
DN	2013/07/01	DDc Submission
ST	2013/11/01	DD Submission

Drawn by	CF
Checked by	DN
Scale	1:40
Unit	mm

DWG. Title
**SUPPLY AND REMOVAL
HOT WATER ISOMETRIC**

DWG. No.
PL-202

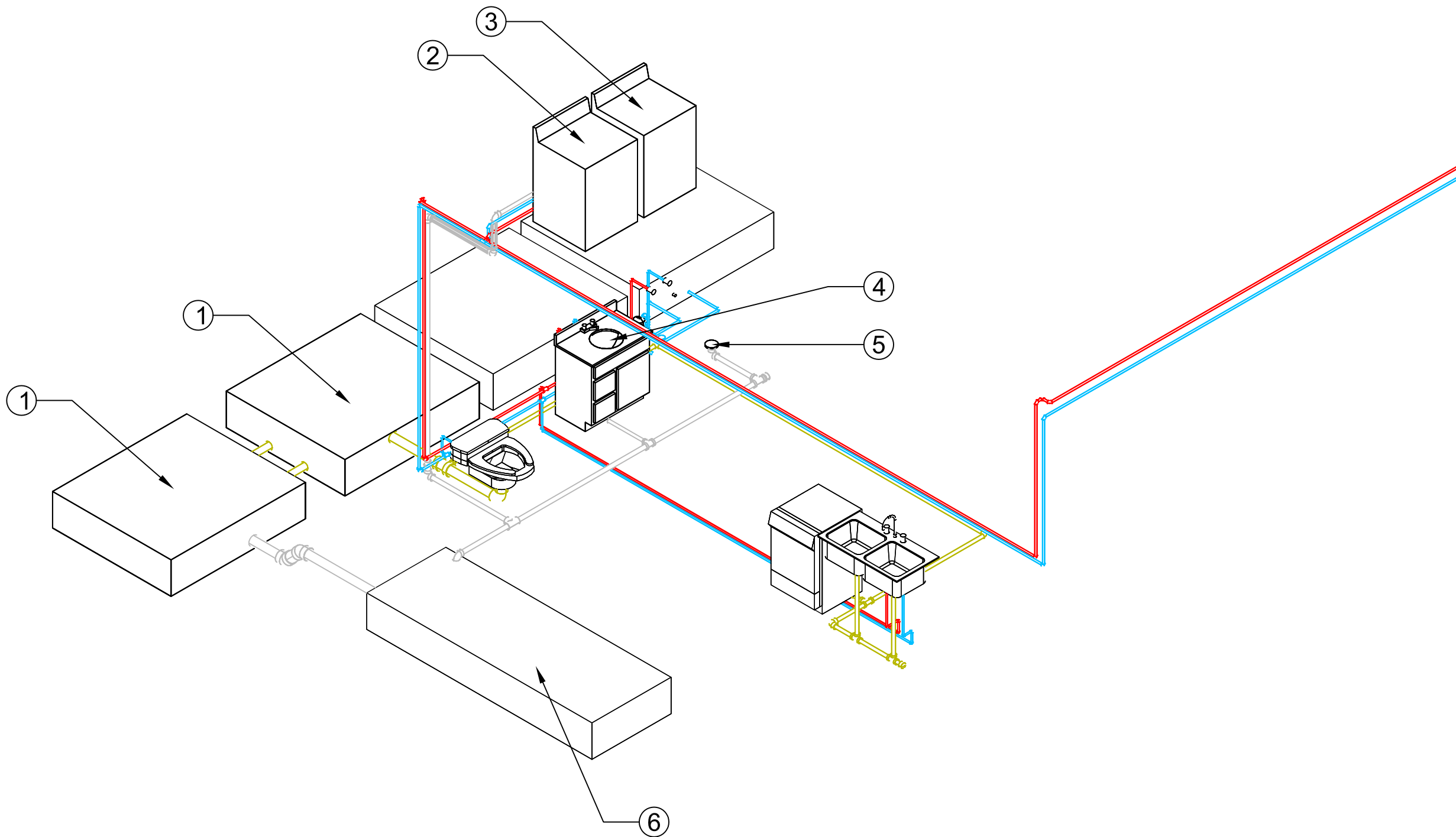


- ① Clothes Washer
- ② Clothes Dryer
- ③ Shower Head
- ④ Lavatory
- ⑤ Kitchen Sink
- ⑥ Domestic Hot Water Tank





Mark	Date	Description
DN	2013/04/01	SD Submission
DN	2013/07/01	DDc Submission
ST	2013/11/01	DD Submission



- ① Black Water Tank
- ② Clothes Washer
- ③ Clothes Dryer
- ④ Lavatory
- ⑤ Floor Drain
- ⑥ Gray Water Tank



Project:



Institution:



NCTU Architecture
國立交通大學建築研究所

Team Name: NCTU/UNICODE
Address: 1001 Ta-Hsueh Road
Hsinchu City 30010
Taiwan
Contact: www.sde.tw



Consultants:



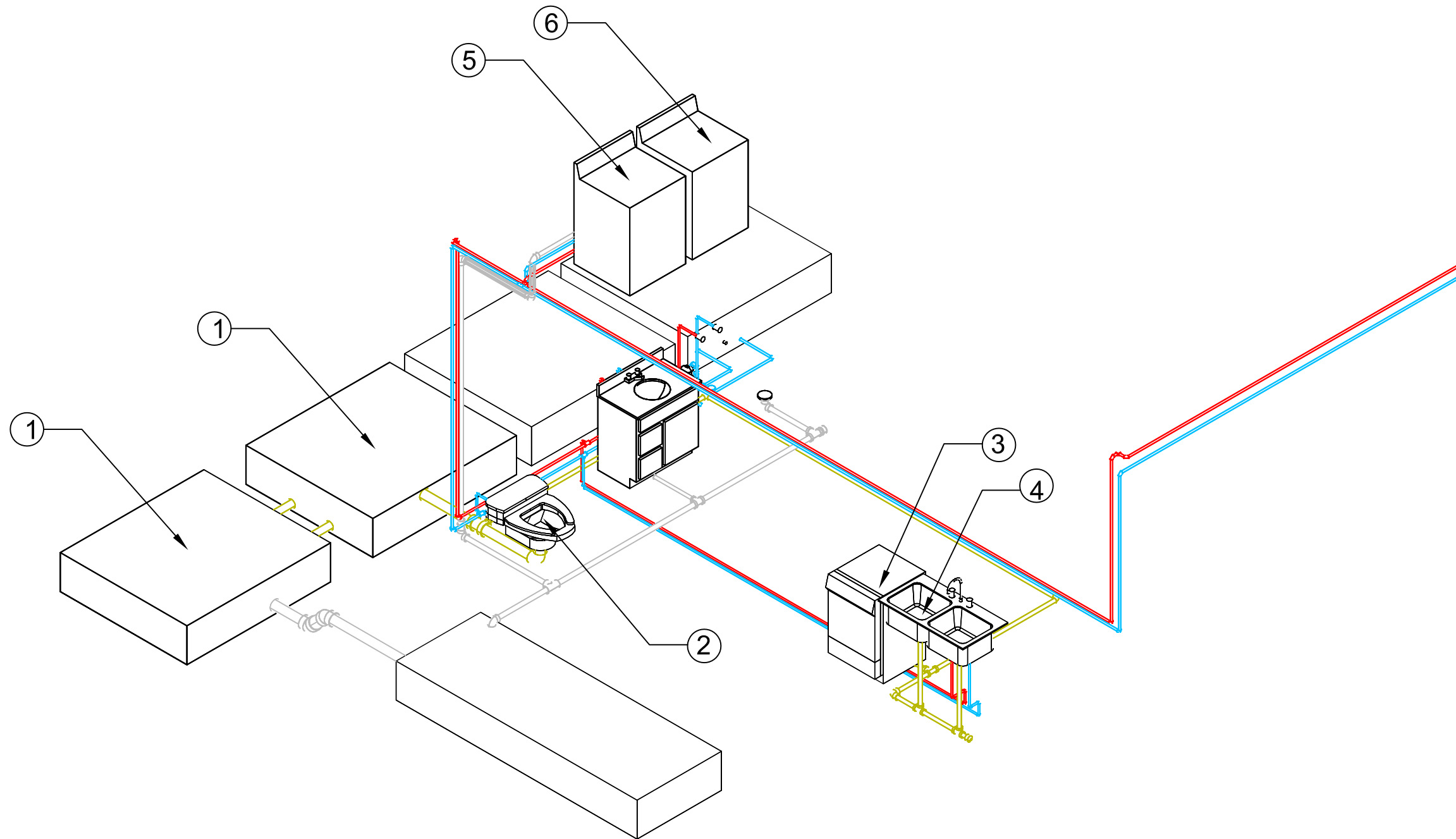
Note:

Mark	Date	Description
DN	2013/04/01	SD Submission
DN	2013/07/01	DDc Submission
ST	2013/11/01	DD Submission

Drawn by	CF
Checked by	DN
Scale	1:40
Unit	mm

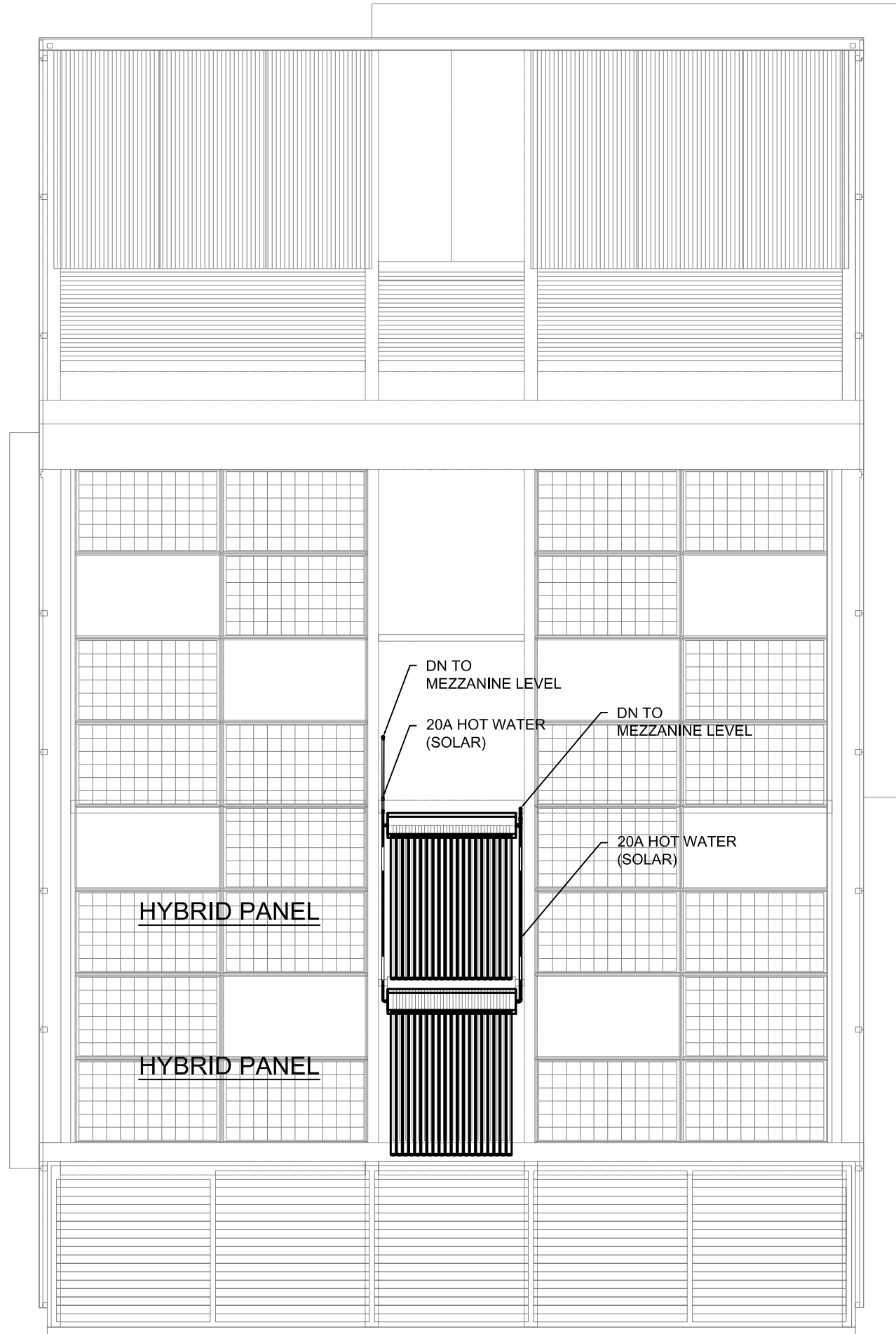
DWG. Title
**DRAIN/WASTE/VENT
ISOMETRIC**

DWG. No.
PL-221



- ① Black Water Tank
- ② Water Closet
- ③ Dish Washer
- ④ Kitchen Sink
- ⑤ Clothes Washer
- ⑥ Clothes Dryer





Project:



Institution:



NCTU Architecture
國立交通大學建築研究所

Team Name: NCTU/UNICODE

Address: 1001 Ta-Hsueh Road
Hsinchu City 30010
Taiwan

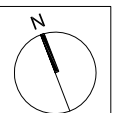
Contact: www.sde.tw



Consultants:



Note:



Mark	Date	Description
DN	2013/04/01	SD Submission
DN	2013/07/01	DDc Submission
ST	2013/11/01	DD Submission

Drawn by AC

Checked by SY

Scale 1:60

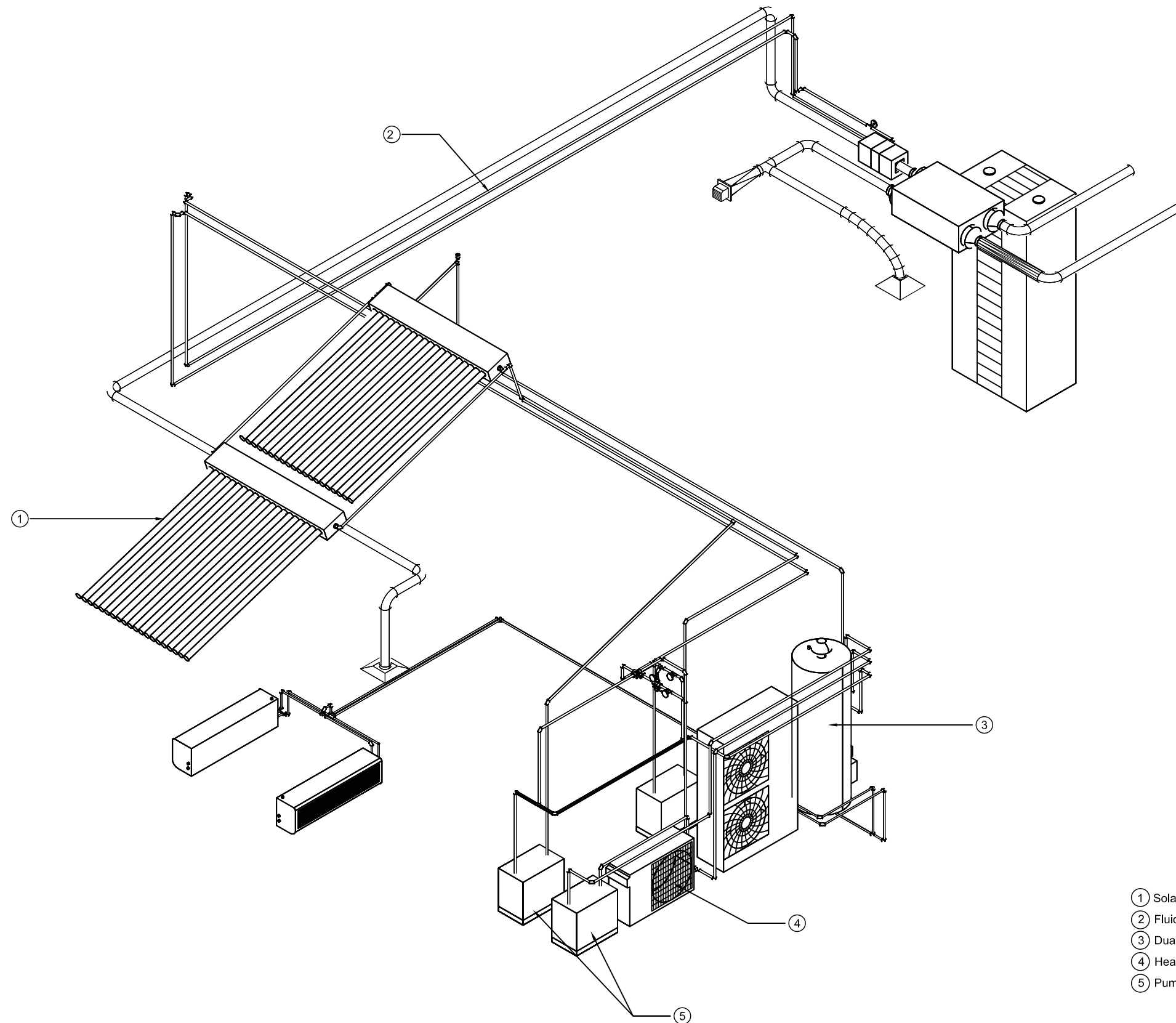
Unit mm

DWG. Title

SOLAR WATER PLAN

DWG. No.

SW-001



- ① Solar Thermal Collector
- ② Fluid Network
- ③ Dual Coil Storage Tank
- ④ Heating Only Heat Pump
- ⑤ Pump Station



Project:



Institution:



NCTU Architecture
國立交通大學建築研究所

Team Name: NCTU/UNICODE
Address: 1001 Ta-Hsueh Road
Hsinchu City 30010
Taiwan
Contact: www.sde.tw



Consultants:

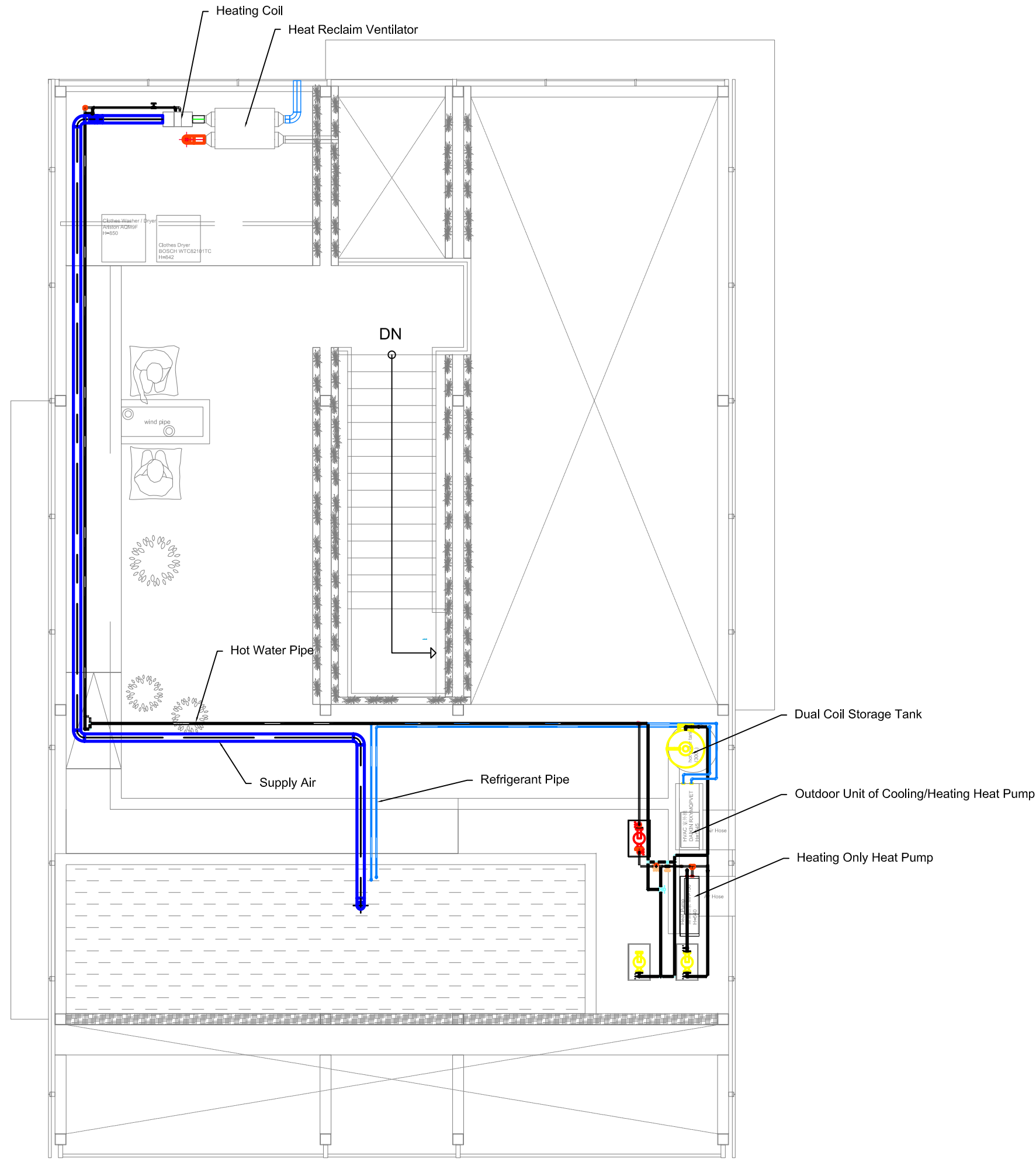


Note:

Mark	Date	Description
DN	2013/04/01	SD Submission
DN	2013/07/01	DDc Submission
ST	2013/11/01	DD Submission

Drawn by: CF
Checked by: DN
Scale: 1:40
Unit: mm

DWG. Title:
SOLAR WATER ISOMETRIC
DWG. No.:
SW-101



Project:



Institution:



NCTU Architecture
國立交通大學建築研究所

Team Name:

NCTU/UNICODE

Address:

1001 Ta-Hsueh Road
Hsinchu City 30010
Taiwan

Contact:

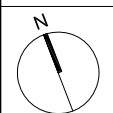
www.sde.tw



Consultants:



Note:



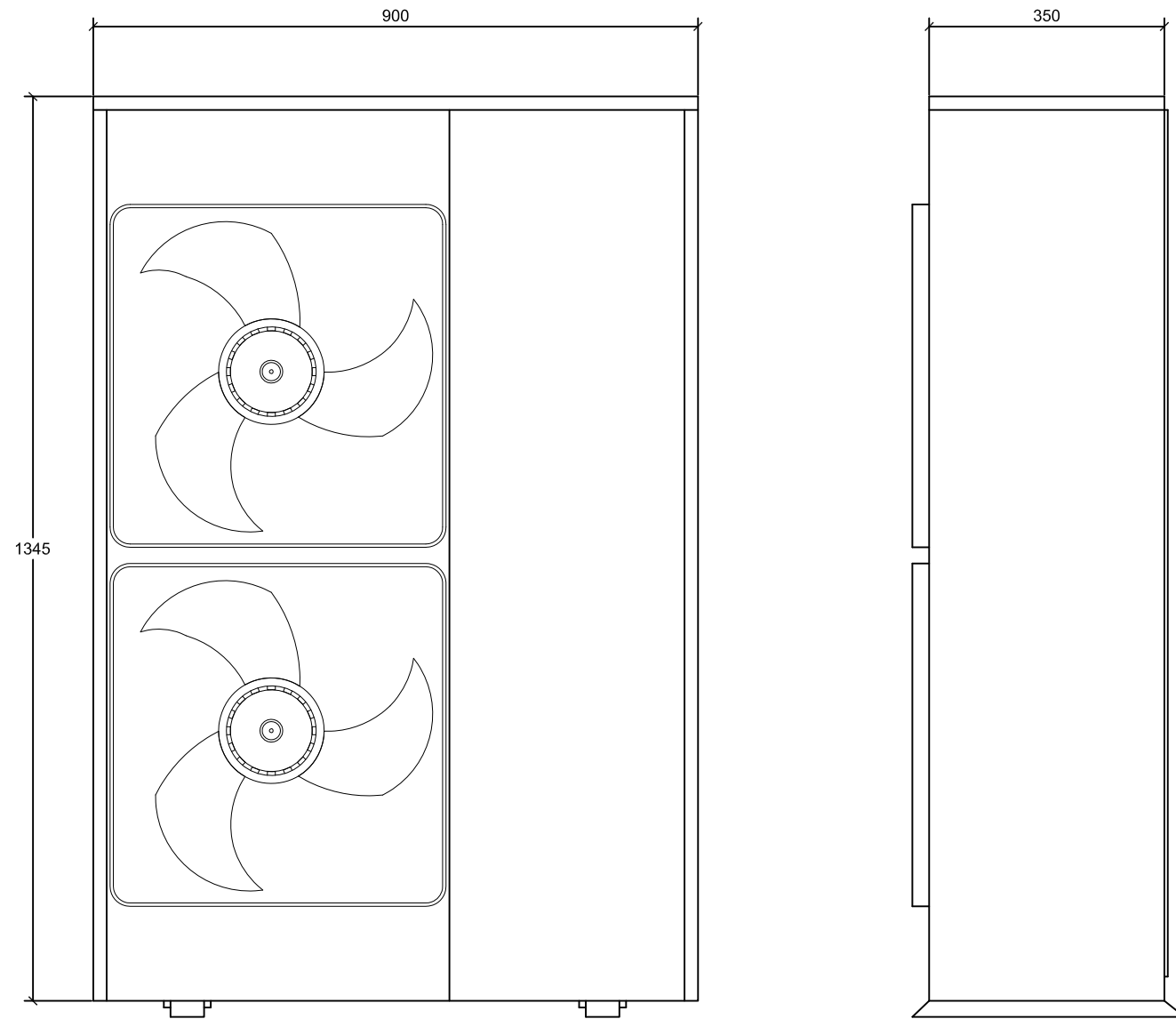
Mark	Date	Description
DN	2013/04/01	SD Submission
DN	2013/07/01	DDc Submission
ST	2013/11/01	DD Submission

Drawn by	AC
Checked by	SY
Scale	1:60
Unit	mm

DWG. Title
HVAC DISTRIBUTION PLAN

DWG. No.
ME-001

Name: Outdoor Unit of Cooling/Heating Heat Pump



Name	Outdoor Unit of Cooling/Heating Heat Pump		
Service	HVAC Cooling and Heating		
Type	Heat Pump		
Cooling Capacity	11.2 KW		
Heating Capacity	12.5 KW		
COP	Cooling = 3.8	Heating = 3.82	
EER	Cooling = 4.4	Heating = 4.4	
Electrical Power Supply	230 V		
Frequency	50 HZ		
Power Consumption	KW	Cooling = 2.95	Heating = 3.27
Refrigerant	R-410A		

Test condition for outdoor unit:

- Cooling Condition : Indoor Temperature 27°C DB / 19°C WB
Outdoor Temperature 35°C DB
- Heating Condition : Indoor Temperature 20°C DB
Outdoor Temperature 7°C DB / 6°C WB

0 0.1 0.2 0.5 METER



Project:



Institution:



NCTU Architecture
國立交通大學建築研究所

Team Name: NCTU/UNICODE
Address: 1001 Ta-Hsueh Road
Hsinchu City 30010
Taiwan
Contact: www.sde.tw



Consultants:



Note:

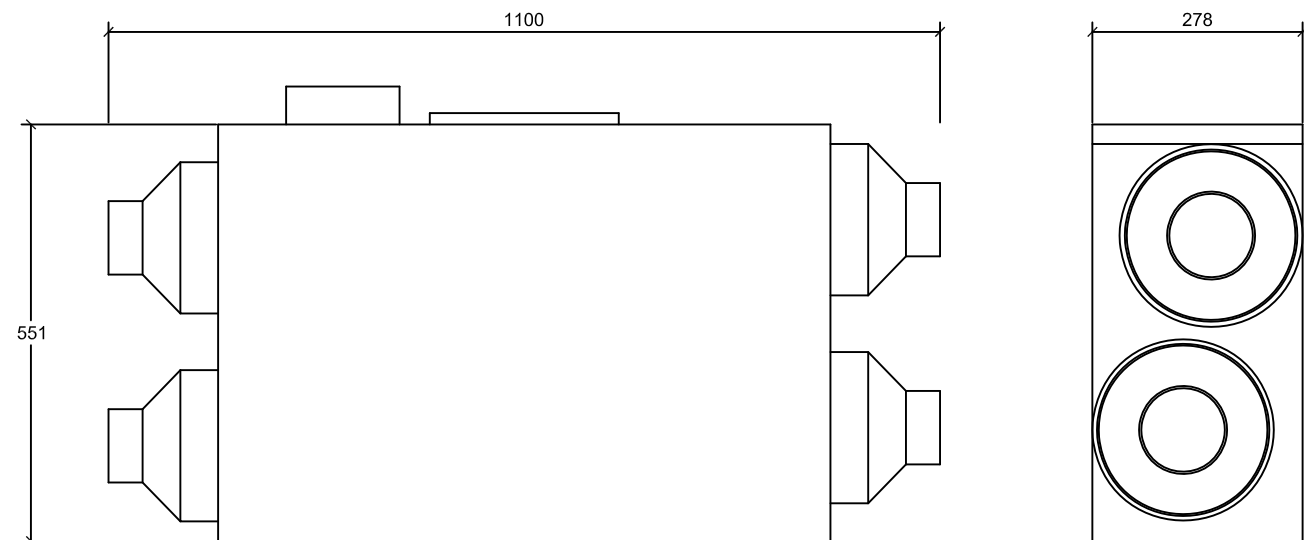
Mark	Date	Description
DN	2013/04/01	SD Submission
DN	2013/07/01	DDc Submission
ST	2013/11/01	DD Submission

Drawn by: AC
Checked by: SY
Scale: 1:10
Unit: mm

DWG. Title: HVAC EQUIPMENT 1

DWG. No.: ME-011

Name: Heat Reclaim Ventilator



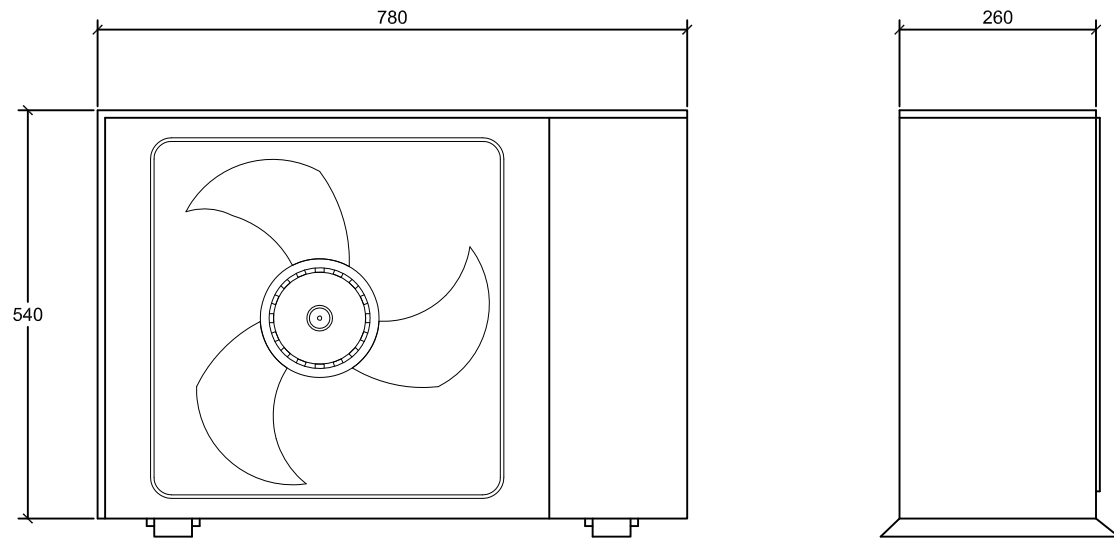
Name	Heat Reclaim Ventilator	
Service	Room Active Ventilation	
Temperature Exchange Efficiency	79%	
Enthalpy Exchange Efficiency		
Cooling	66%	
Heating	72%	
Fan Air Flow Rate	150 m ³ /h	
Electrical Power Supply	230 V	
Frequency	50 HZ	
Power Consumption	30 W × 2	

Test condition for exchange efficiency:

Condition	Indoor		Outdoor	
	°Cdb	rh%	°Cdb	rh%
Cooling	27	50	35	60
Heating	20	40	7	70

0 0.1 0.2 0.5 METER

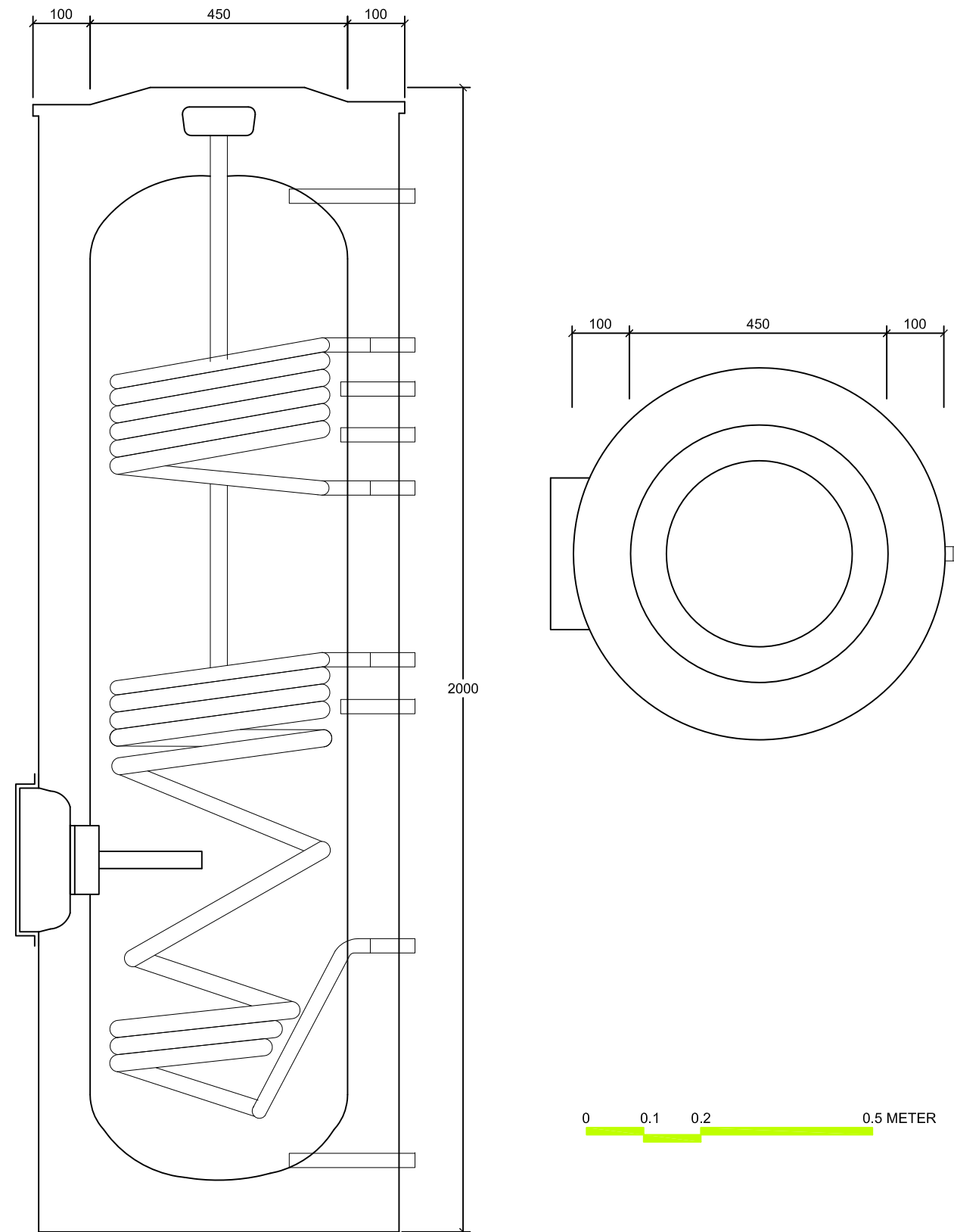
Name: Heating Only Heat Pump



0 0.1 0.2 0.5 METER

Name	Heating Only Heat Pump
Service	Domestic Hot Water and Heating
Type	Air-to-Water Heat Pump
Nominal Capacity	4 KW
COP	4.1
EER	4.7
Electrical Power Supply	230 V
Frequency	50 HZ
Power Consumption	1.2 KW
Liquid Pipe Size	6.4 φ
Gas Pipe Size	9.5 φ
Refrigerant	R-410A

Name: Dual Coil Storage Tank



0 0.1 0.2 0.5 METER

Name	Dual Coil Storage Tank
Service	Domestic Hot Water
Total Capacity	300 L
Tank Diameter	450 mm
Tank Height	2000 mm
DHW Outlet Size	20φ
Standby Heat Loss	2.1 Kwh/24h
Size of Solar Indirect Coil	1.2 m ²



Project:



Institution:



NCTU Architecture
國立交通大學建築研究所

Team Name:

NCTU/UNICODE

Address:

1001 Ta-Hsueh Road
Hsinchu City 30010
Taiwan

Contact:

www.sde.tw



Consultants:



Note:

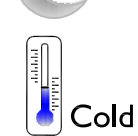
Mark	Date	Description
DN	2013/04/01	SD Submission
DN	2013/07/01	DDc Submission
ST	2013/11/01	DD Submission

Drawn by	AC
Checked by	SY
Scale	1:10
Unit	mm

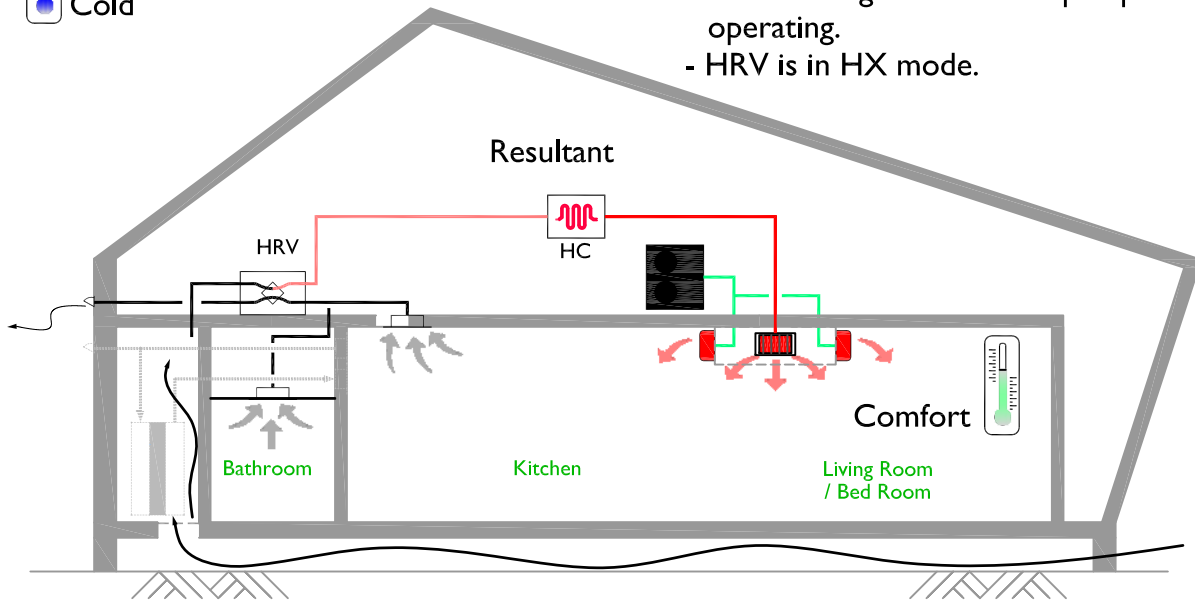
DWG. Title
HVAC EQUIPMENT 2

DWG. No.
ME-012

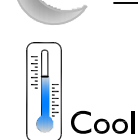
Winter - Night



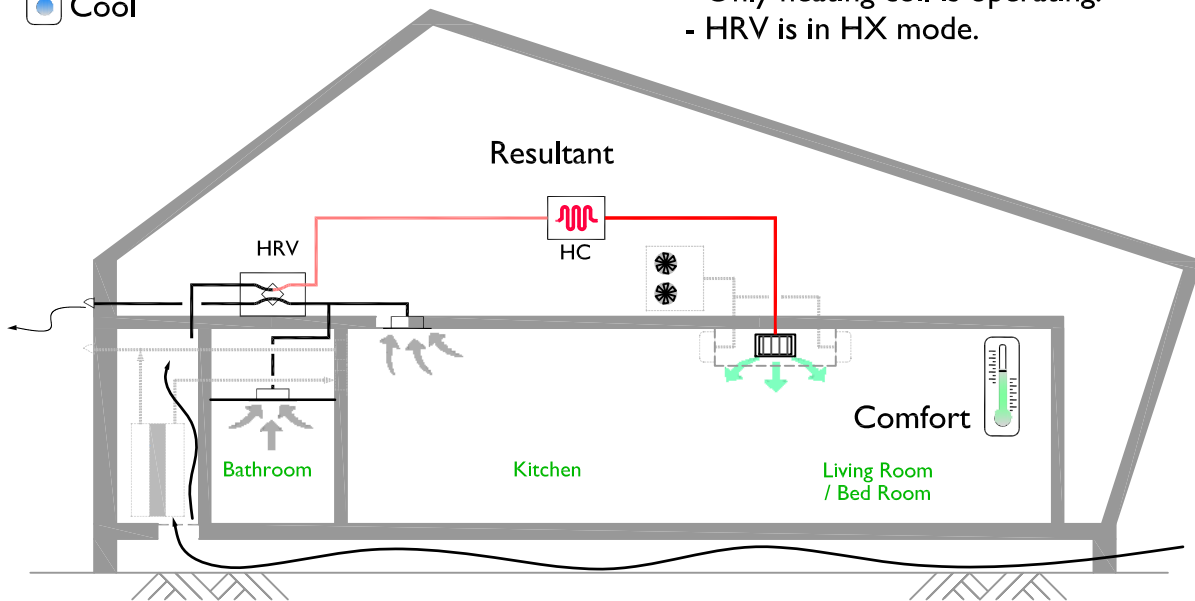
- In cold-stream winter night.
- Space heating is required.
- Both heating coil and heat pump are operating.
- HRV is in HX mode.



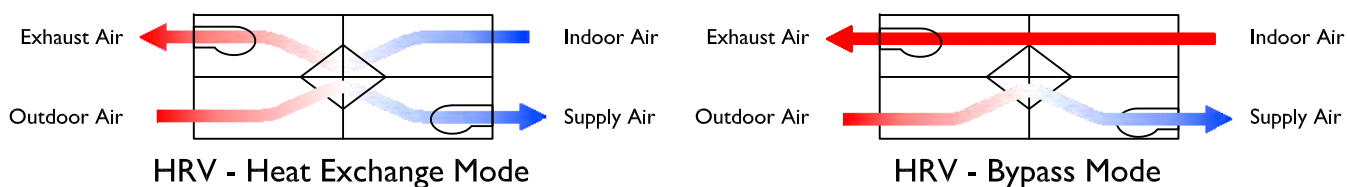
Winter



- Winter of freezing temperature.
- Space heating is required.
- Only heating coil is operating.
- HRV is in HX mode.



Legend:



- Hot Air (Red line)
- Warm Air (Light Red line)
- Cool Air (Blue line)
- Cold Air (Black line)
- Exhaust Air (Black line with arrow)
- Refrigerant Pipe (Green line)



Project:



Institution:



NCTU Architecture
國立交通大學建築研究所

Team Name: NCTU/UNICODE

Address: 1001 Ta-Hsueh Road
Hsinchu City 30010
Taiwan

Contact: www.sde.tw



Consultants:



Note:

Mark	Date	Description
DN	2013/04/01	SD Submission
DN	2013/07/01	DDc Submission
ST	2013/11/01	DD Submission

Drawn by AC

Checked by SY

Scale -

Unit -

DWG. Title

MECHANICAL HEATING

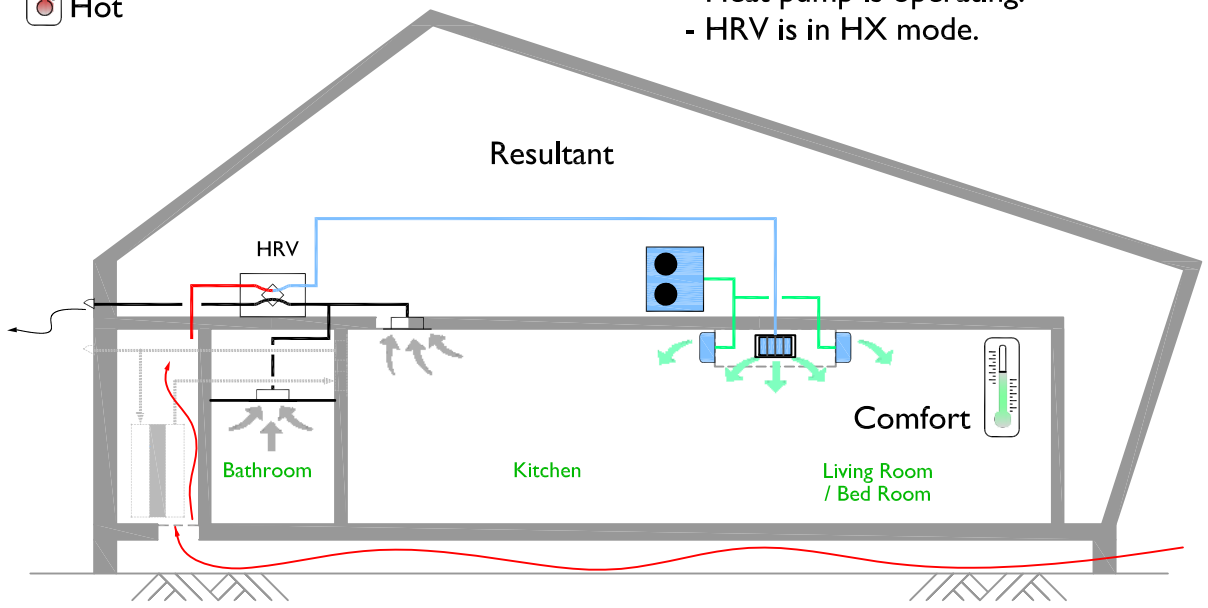
DWG. No.

ME-021

Summer - Day



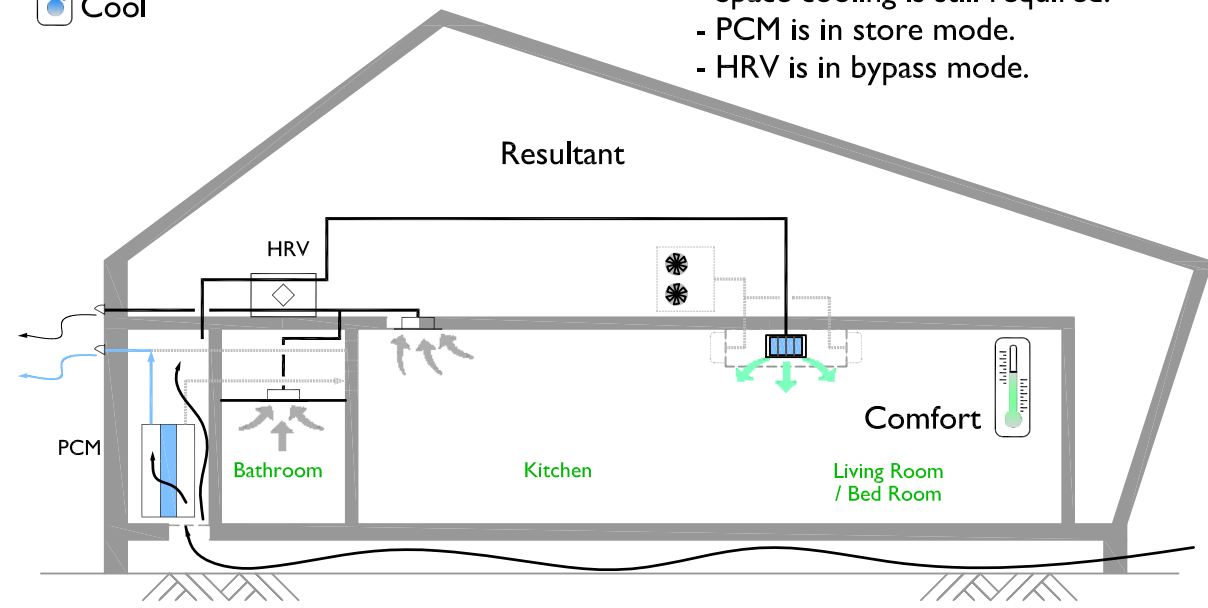
- Typical of summer day.
- Space cooling is required.
- Heat pump is operating.
- HRV is in HX mode.



Spring - Night



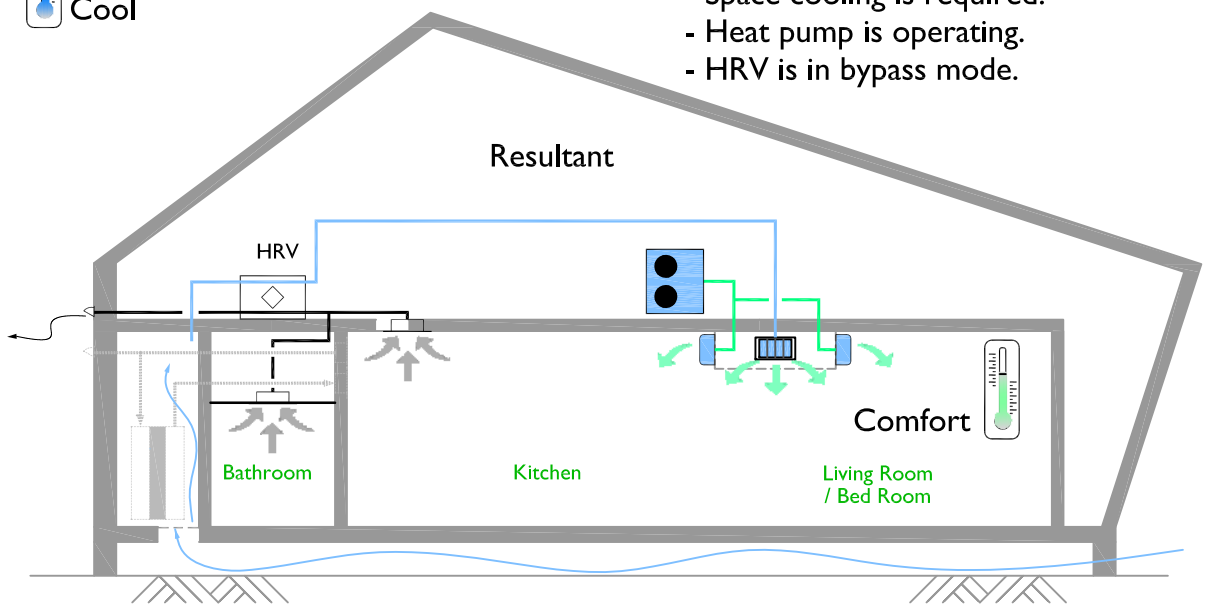
- Outdoor temperature is much less than room temperature.
- Space cooling is still required.
- PCM is in store mode.
- HRV is in bypass mode.



Summer - Early Morning



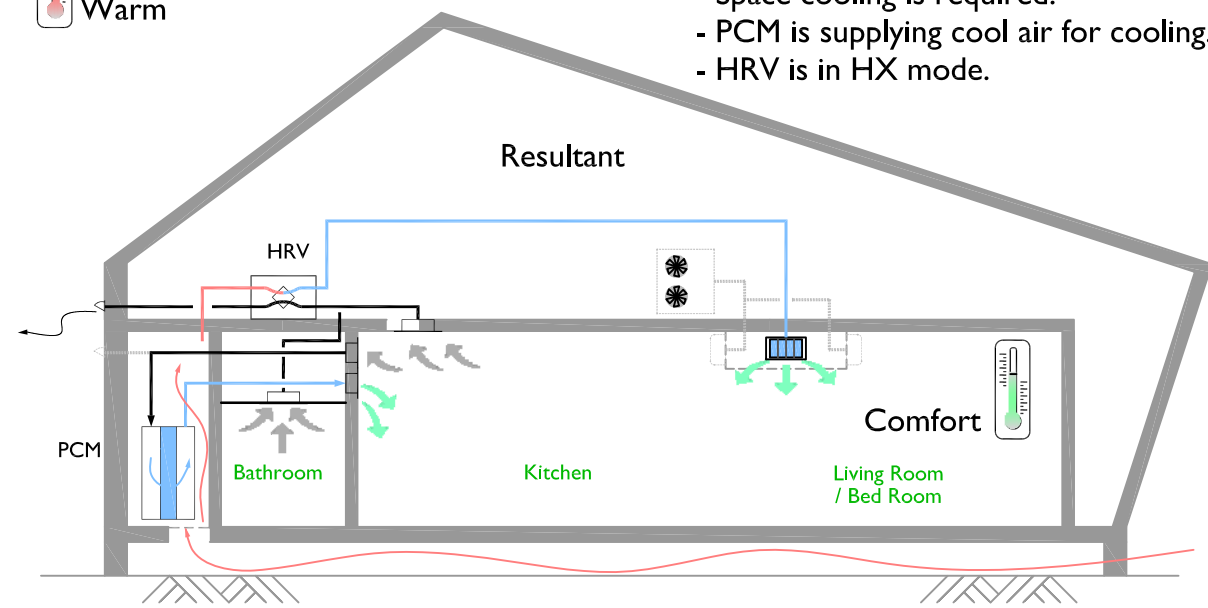
- Outdoor temperature is less than room temperature.
- Space cooling is required.
- Heat pump is operating.
- HRV is in bypass mode.



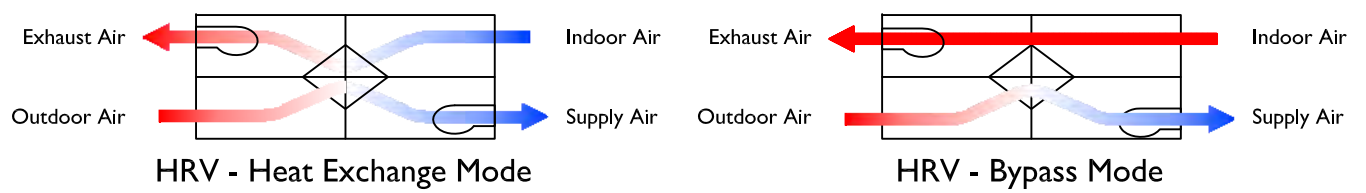
Spring - Day



- Outdoor temperature is higher than room temperature.
- Space cooling is required.
- PCM is supplying cool air for cooling.
- HRV is in HX mode.



Legend:



Team Name: NCTU/UNICODE
 Address: 1001 Ta-Hsueh Road
 Hsinchu City 30010
 Taiwan
 Contact: www.sde.tw



Note:

Mark	Date	Description
DN	2013/04/01	SD Submission
DN	2013/07/01	DDc Submission
ST	2013/11/01	DD Submission

Drawn by	AC
Checked by	SY
Scale	-
Unit	-

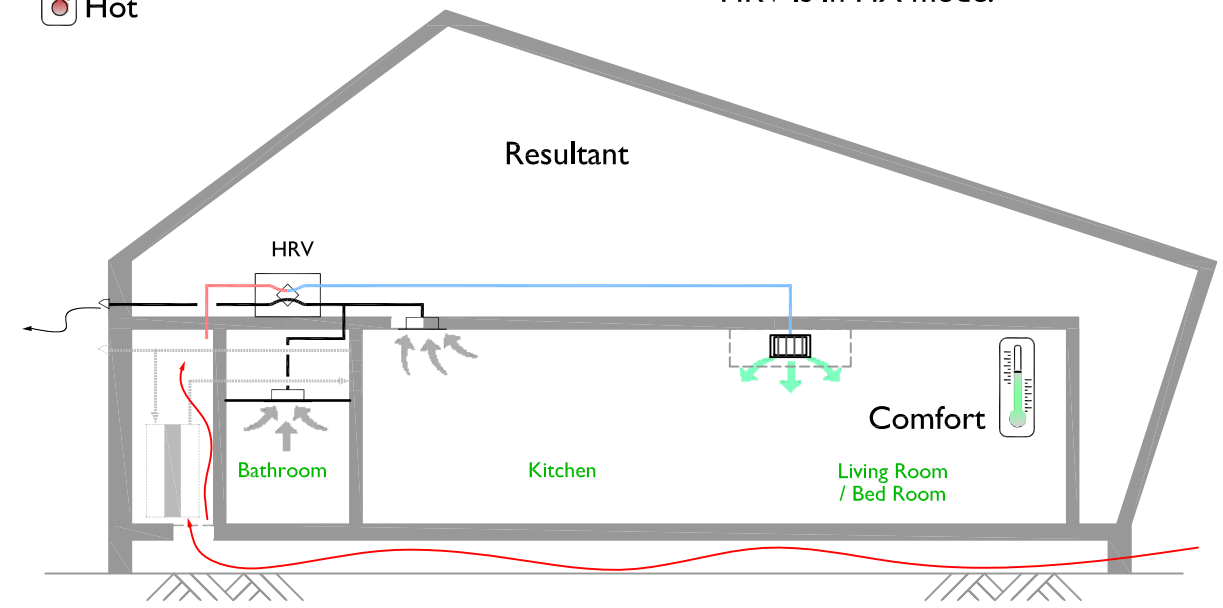
DWG. Title	MECHANICAL COOLING
DWG. No.	ME-031

Summer - Day



Hot

- Outdoor temperature is much higher than room temperature.
- HRV is in HX mode.

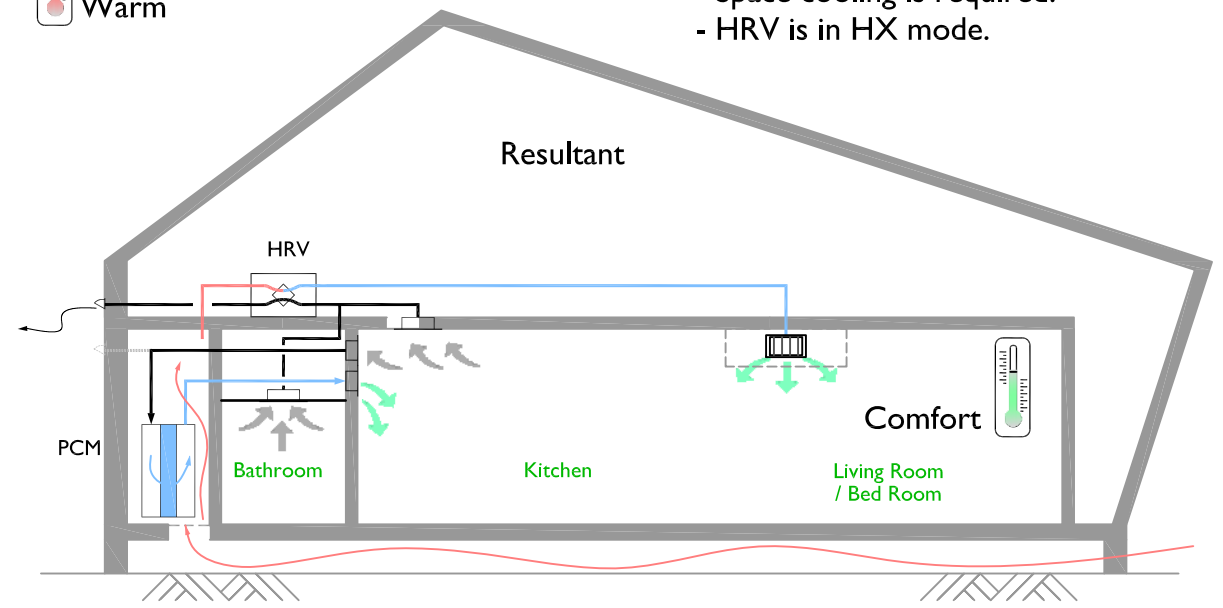


Spring - Day

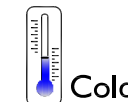


Warm

- Outdoor temperature is higher than room temperature.
- Space cooling is required.
- HRV is in HX mode.

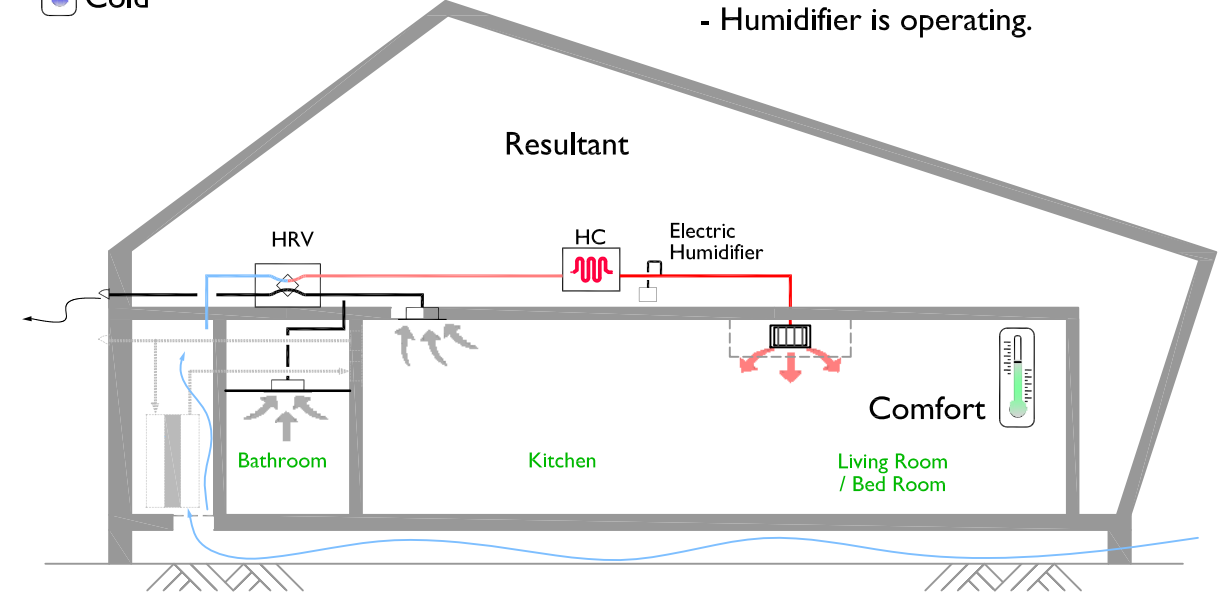


Winter - Night



Cold

- Outdoor temperature is much less than room temperature.
- HRV is in HX mode.
- Humidifier is operating.

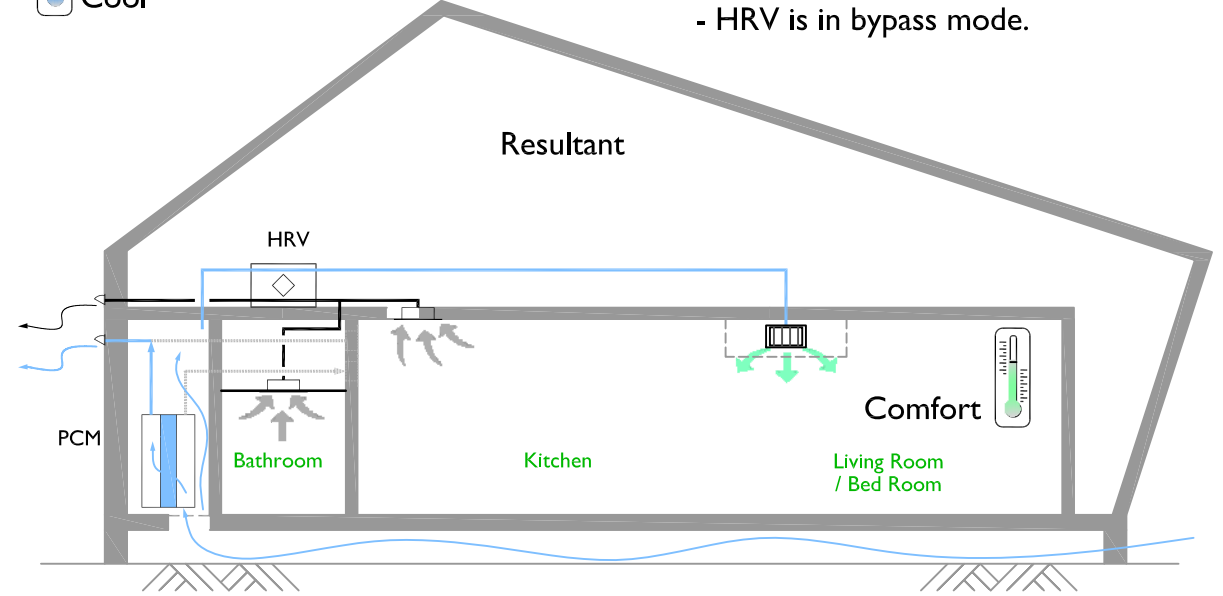


Spring - Night

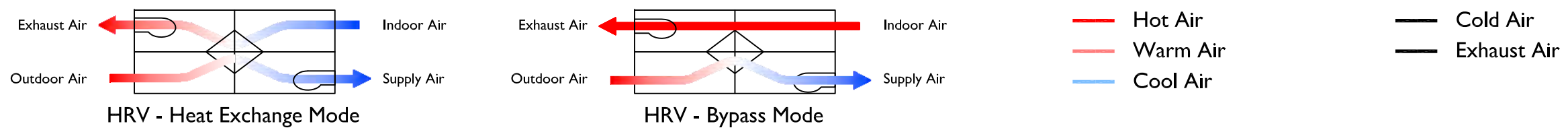


Cool

- Outdoor temperature is less than room temperature.
- Space cooling is required.
- HRV is in bypass mode.



Legend:



Project:



Institution:



NCTU Architecture
國立交通大學建築研究所

Team Name:

NCTU/UNICODE

Address:

1001 Ta-Hsueh Road
Hsinchu City 30010
Taiwan

Contact:

www.sde.tw



Consultants:



Note:

Mark	Date	Description
DN	2013/04/01	SD Submission
DN	2013/07/01	DDc Submission
ST	2013/11/01	DD Submission

Drawn by	KZ
Checked by	DN
Scale	-
Unit	-

DWG. Title	MECHANICAL VENTILATION
DWG. No.	ME-041



Mark	Date	Description
DN	2013/04/01	SD Submission
DN	2013/07/01	DDc Submission
ST	2013/11/01	DD Submission

Drawn by YCC

Checked by CHK

Scale -

Unit -

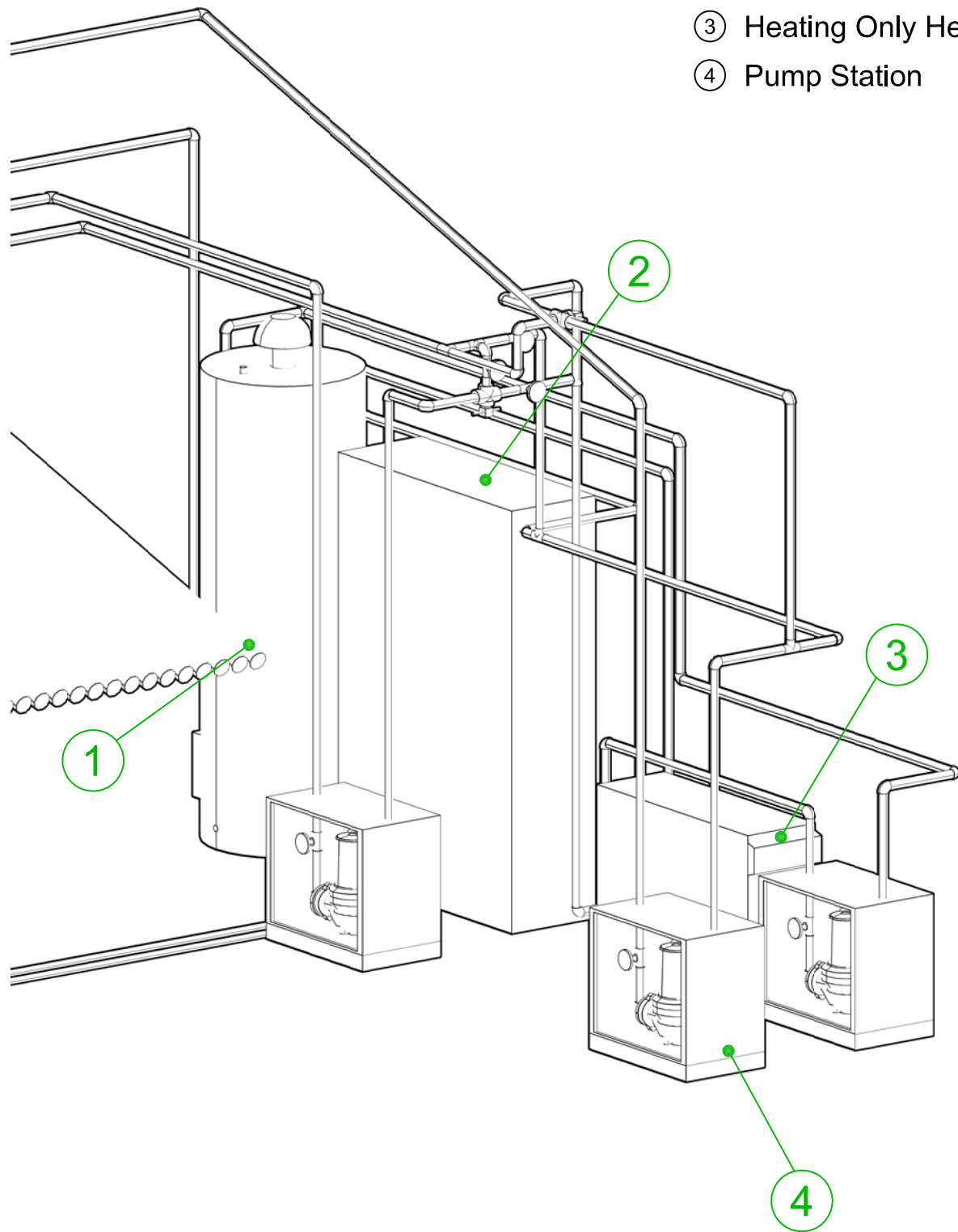
DWG. Title

MECHANICAL ROOM ELEVATIONS

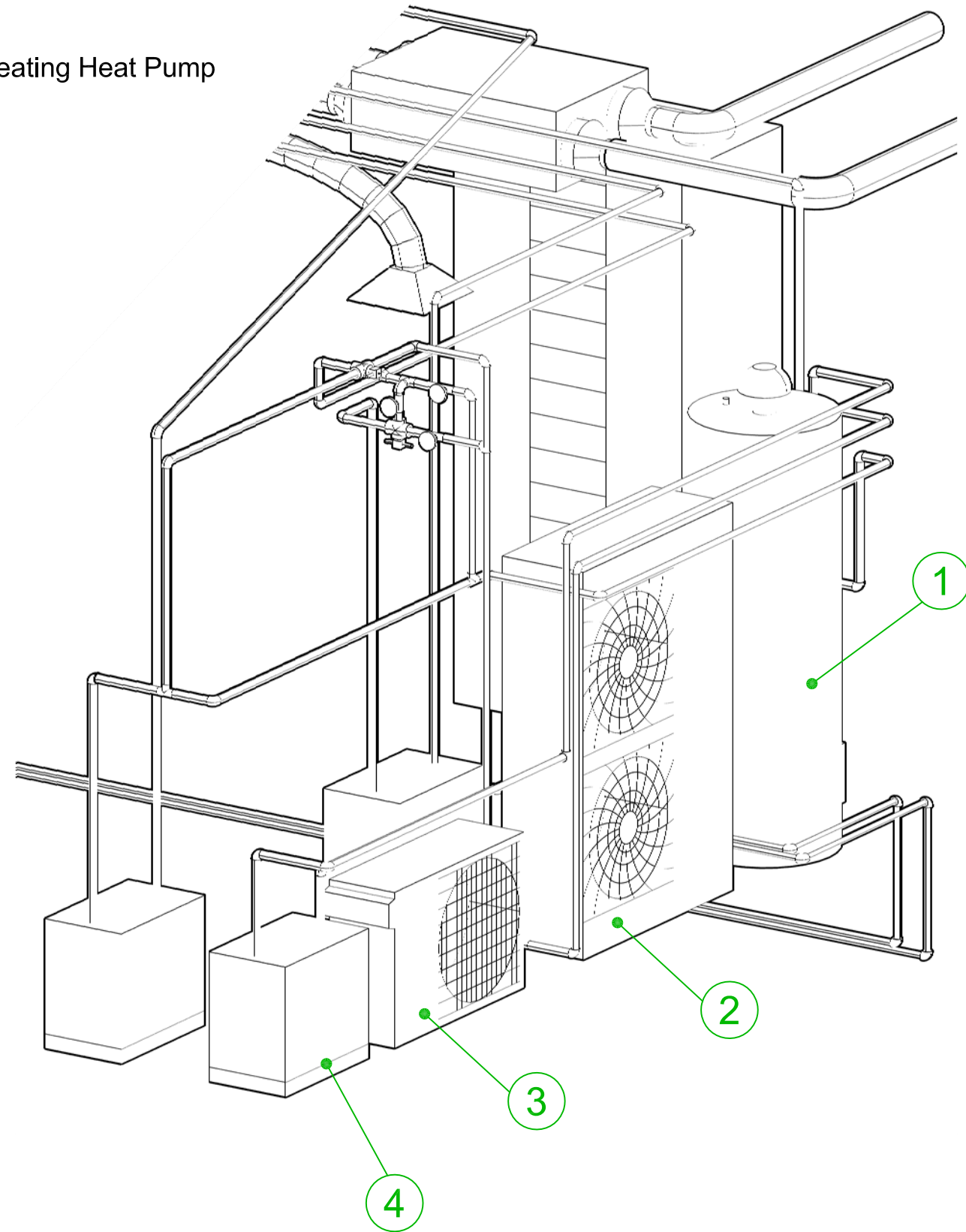
DWG. No.

ME-101

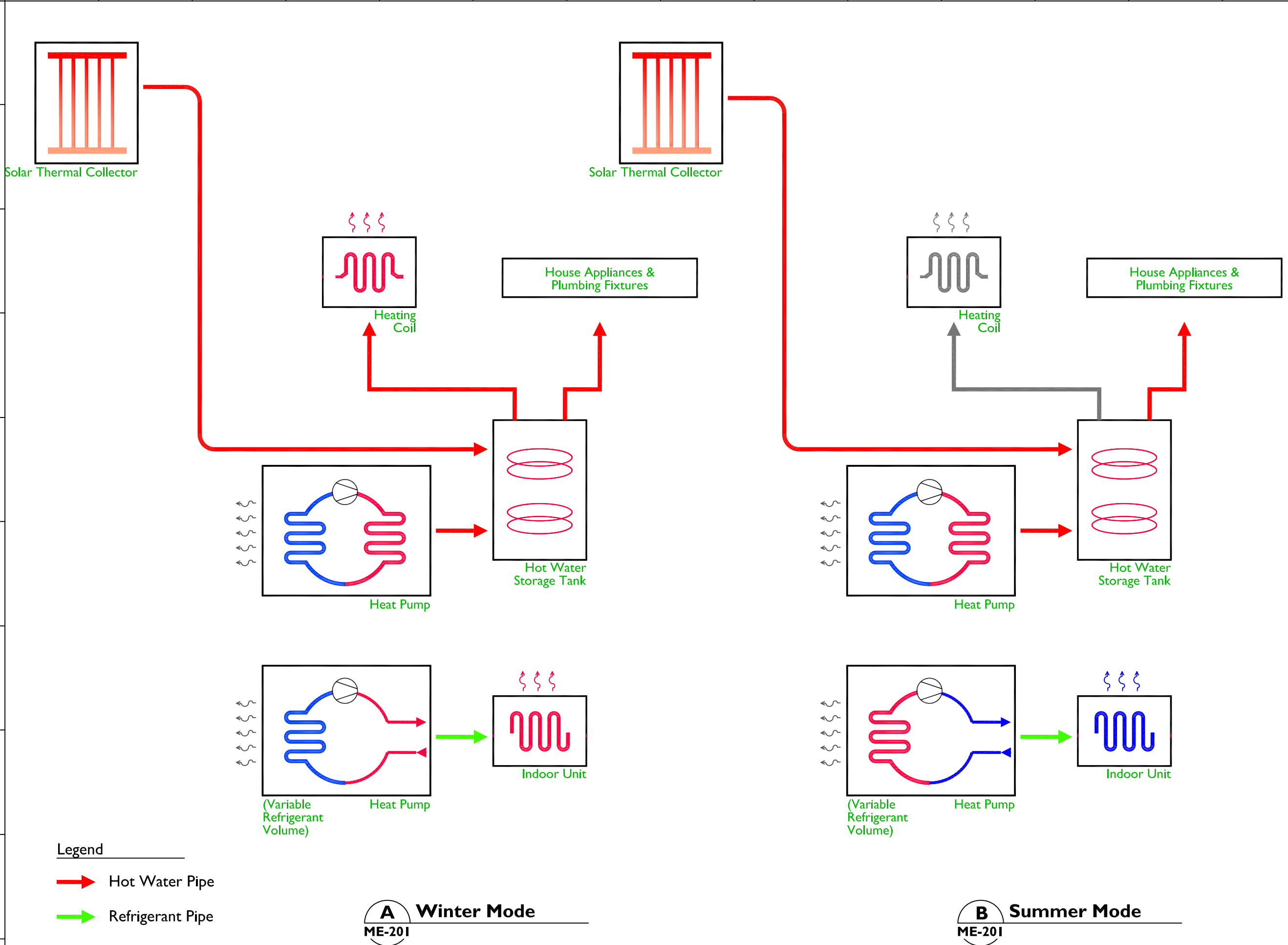
- ① Dual Coil Storage Tank
- ② Outdoor Unit of Cooling/Heating Heat Pump
- ③ Heating Only Heat Pump
- ④ Pump Station



A Mechanical Room Elevation
ME-101 (South-West)



B Mechanical Room Elevation
ME-101 (South-East)



Legend

→ Hot Water Pipe

→ Refrigerant Pipe

A Winter Mode
ME-201

B Summer Mode
ME-201



NCTU Architecture
國立交通大學建築研究所

Team Name: NCTU/UNICODE
Address: 1001 Ta-Hsueh Road
Hsinchu City 30010
Taiwan
Contact: www.sde.tw



Note:

Mark	Date	Description
DN	2013/04/01	SD Submission
DN	2013/07/01	DDc Submission
ST	2013/11/01	DD Submission

Drawn by: YCC
Checked by: CHK
Scale: -
Unit: -

DWG. Title: HVAC SYSTEM SCHEMATIC DRAWINGS
DWG. No.: ME-201



Mark	Date	Description
DN	2013/04/01	SD Submission
DN	2013/07/01	DDc Submission
ST	2013/11/01	DD Submission

Drawn by LUI

Checked by DN

Scale -

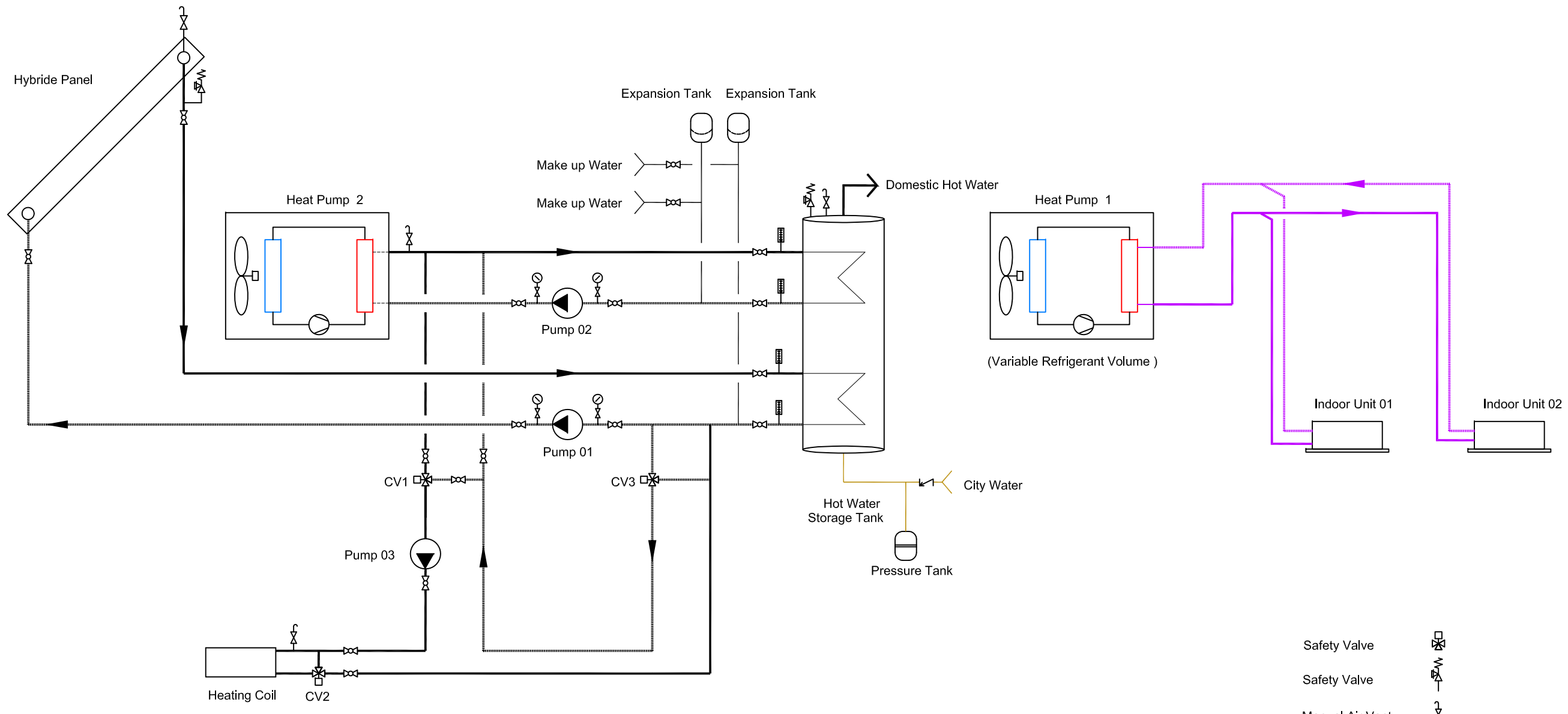
Unit -

DWG. Title

**HEATING MODE
SCHEMATIC DRAWINGS**

DWG. No.

ME-211



Winter Mode

- Safety Valve
- Safety Valve
- Manual Air Vent
- Thermo meter
- Check Valve
- Check Valve
- Pressure Gauge
- Refrigerant Supply
- Refrigerant Return
- Hot Water Supply
- Hot Water Return
- City Water



Mark	Date	Description
DN	2013/04/01	SD Submission
DN	2013/07/01	DDc Submission
ST	2013/11/01	DD Submission

Drawn by LUI

Checked by DN

Scale -

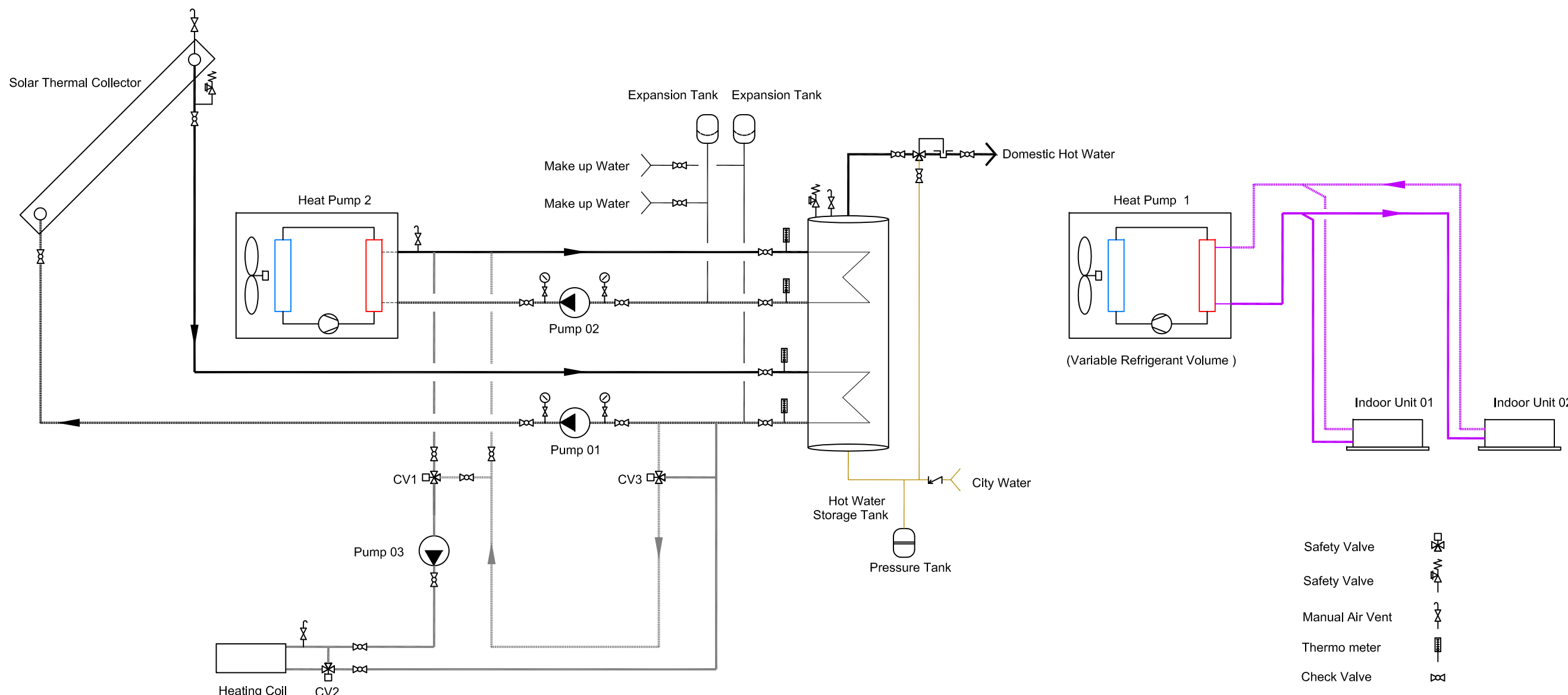
Unit -

DWG. Title

**COOLING MODE
SCHEMATIC DRAWINGS**

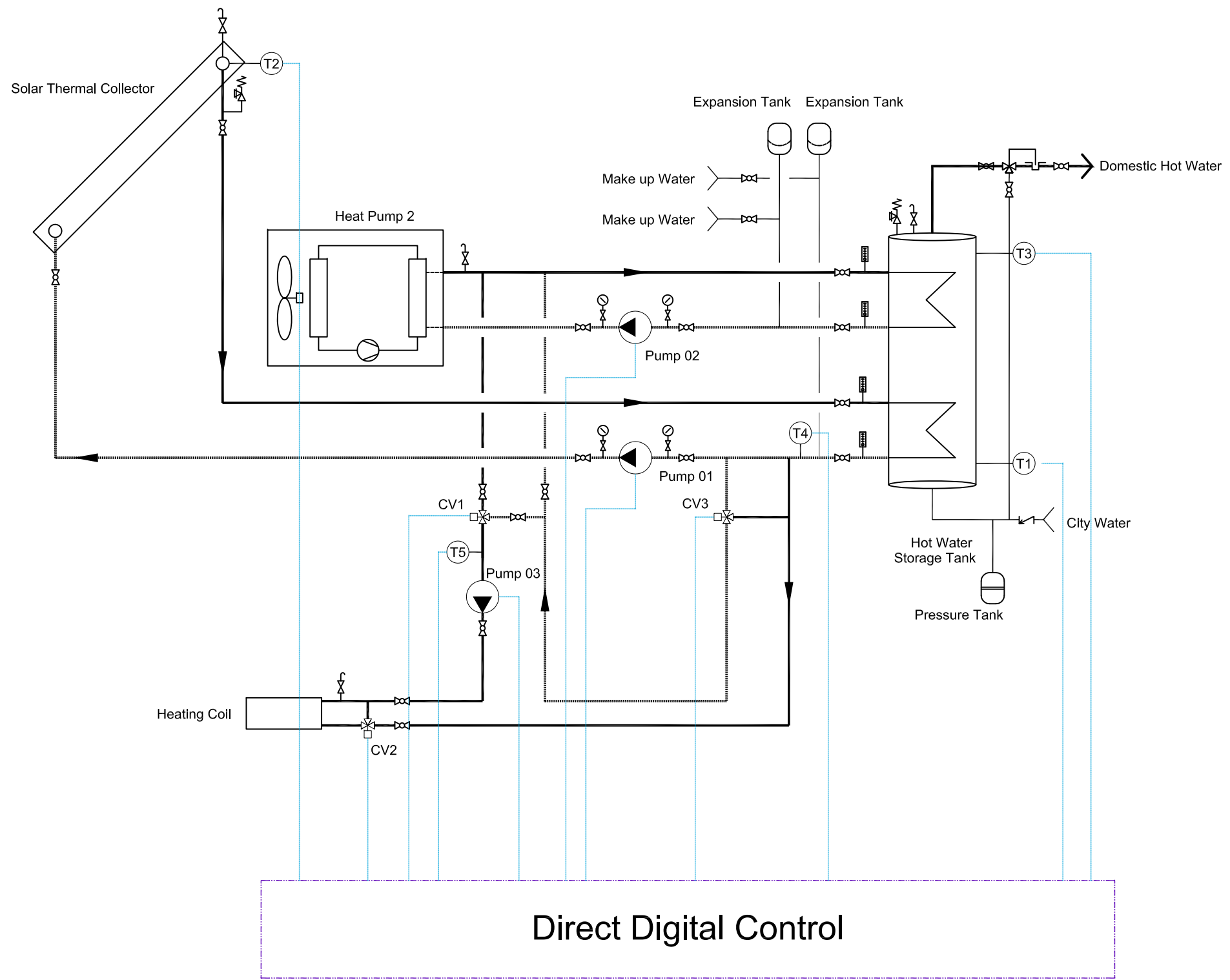
DWG. No.

ME-221



Summer Mode

- Safety Valve
- Safety Valve
- Manual Air Vent
- Thermo meter
- Check Valve
- Check Valve
- Pressure Gauge
- Refrigerant Supply
- Refrigerant Return
- Hot Water Supply
- Hot Water Return
- City Water



Project:



Institution:



NCTU Architecture
國立交通大學建築研究所

Team Name: NCTU/UNICODE
Address: 1001 Ta-Hsueh Road
Hsinchu City 30010
Taiwan
Contact: www.sde.tw

Consultants:



Note:

Mark	Date	Description
DN	2013/04/01	SD Submission
DN	2013/07/01	DDc Submission
ST	2013/11/01	DD Submission

Drawn by	AC
Checked by	SY
Scale	-
Unit	-

DWG. Title
CONTROLS

DWG. No.
ME-231



Mark	Date	Description
DN	2013/04/01	SD Submission
DN	2013/07/01	DDc Submission
ST	2013/11/01	DD Submission

Drawn by YCC

Checked by CHK

Scale -

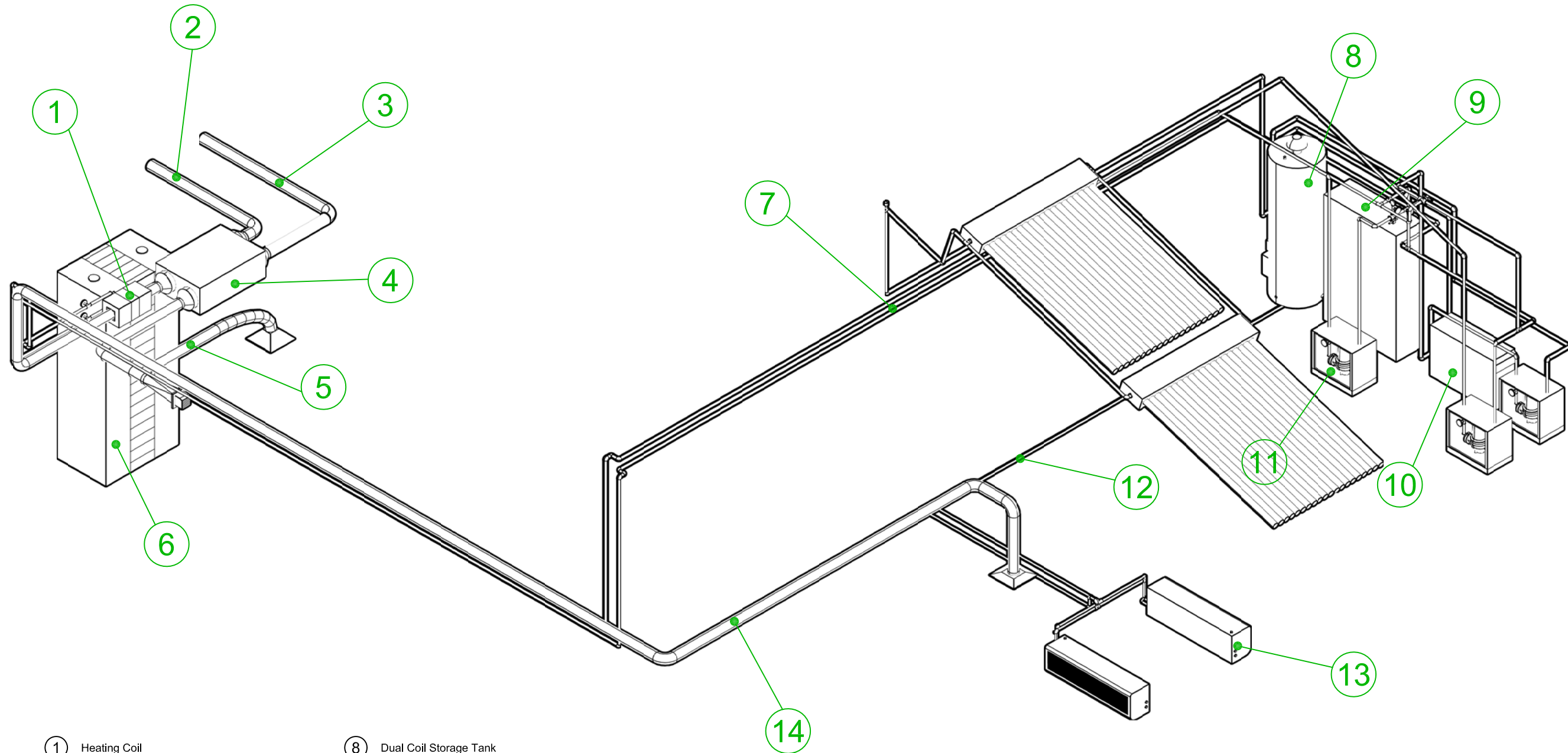
Unit -

DWG. Title

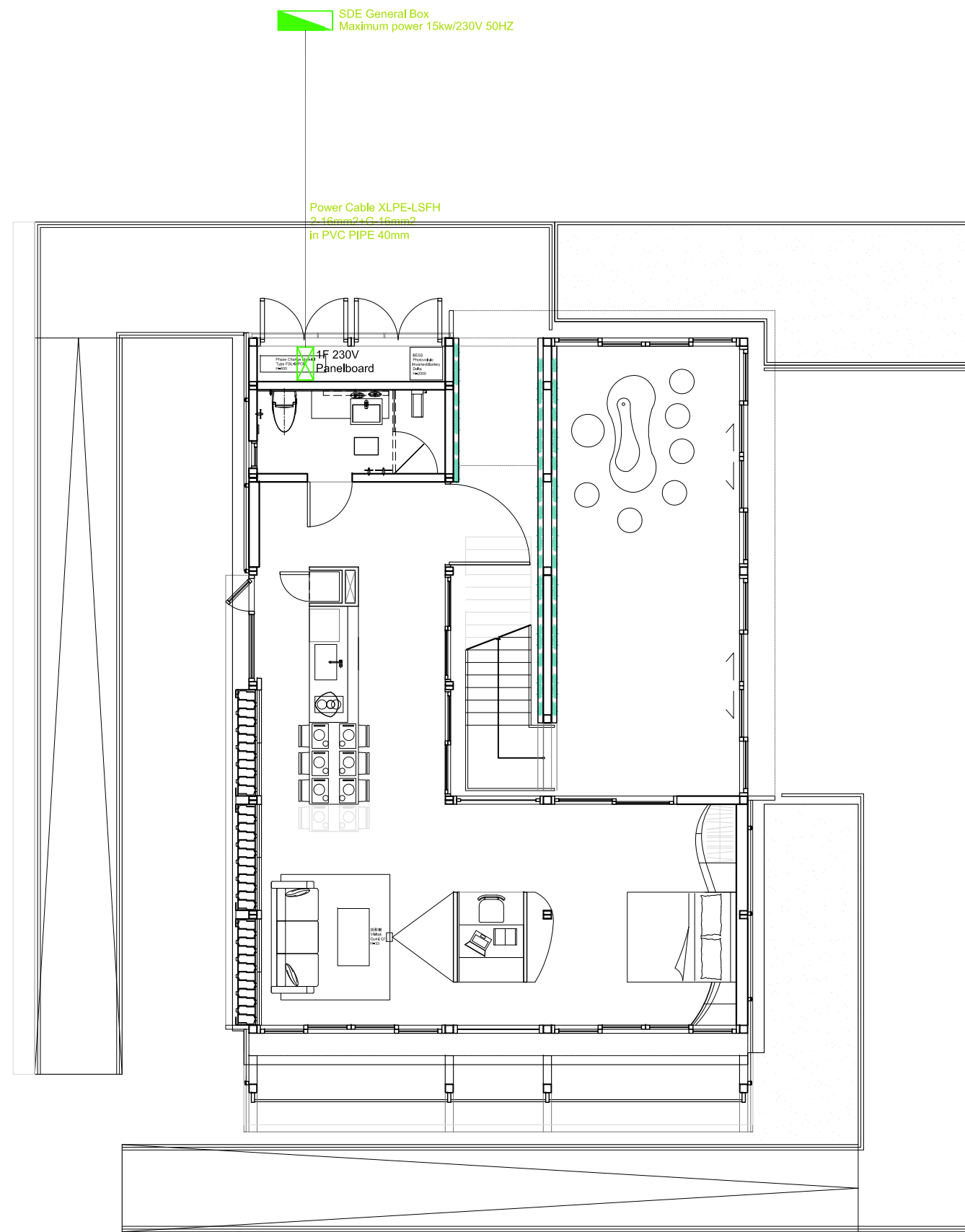
ISOMETRIC DISTRIBUTION

DWG. No.

ME-301



- ① Heating Coil
- ② Outdoor Air
- ③ Exhaust Air
- ④ Heat Reclaim Ventilator
- ⑤ Indoor Air
- ⑥ Phase Change Materials
- ⑦ Hot Water Pipe
- ⑧ Dual Coil Storage Tank
- ⑨ Outdoor Unit of Cooling/Heating Heat Pump
- ⑩ Heating Only Heat Pump
- ⑪ Pump Station
- ⑫ Refrigerant Pipe
- ⑬ Indoor Unit of Heat Pump
- ⑭ Supply Air



Project:



Institution:



NCTU Architecture
國立交通大學建築研究所

Team Name:

NCTU/UNICODE

Address:

1001 Ta-Hsueh Road
Hsinchu City 30010
Taiwan

Contact:

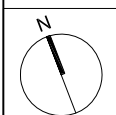
www.sde.tw



Consultants:



Note:



Mark	Date	Description
DN	2013/04/01	SD Submission
DN	2013/07/01	DDc Submission
ST	2013/11/01	DD Submission

Drawn by

RAYS

Checked by

DN

Scale

1:100

Unit

mm

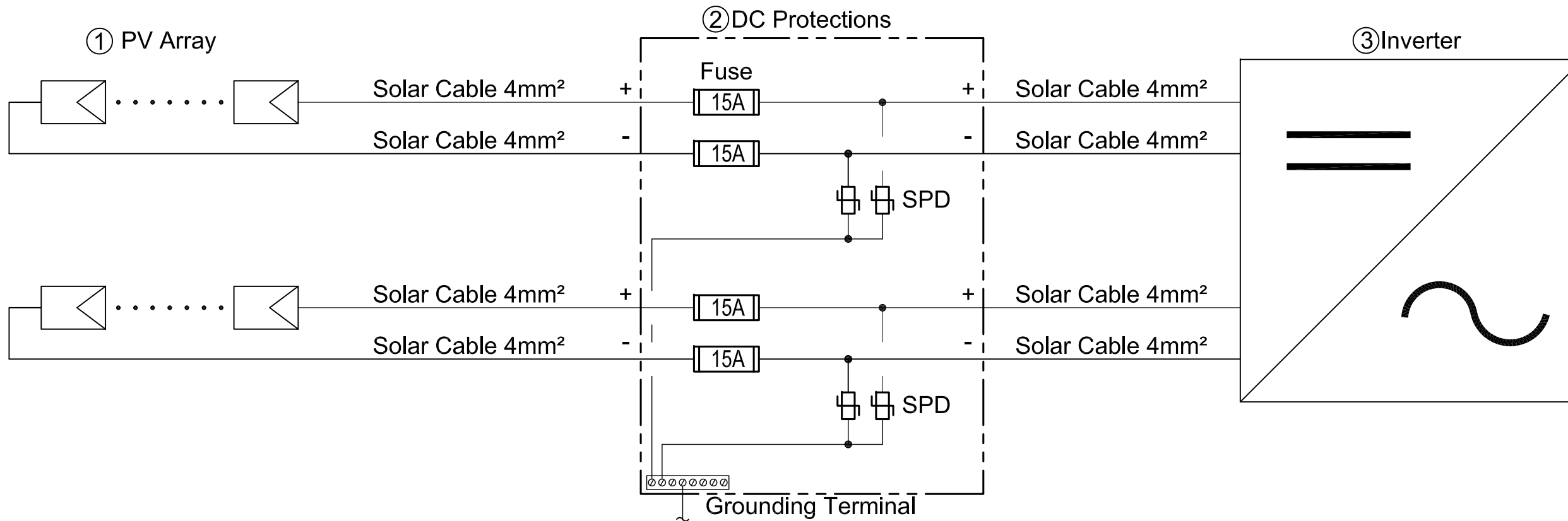
DWG. Title

GRID INTERCONNECTION

DWG. No.

EL-001

Tag	Components	Manufacturer	Model	Q'ty	Notes
①	PV Module	DelSolar	D6P250B3A	24	
②	Box	HI BOX		1	
	Fuse	Littelfuse	LPSC+KLKD	4	
	Surge Protection Device	Shihlin	BHP30	4	
③	Inverter	Delta	Solivia 5.0	1	



Photovoltaic Module :
 DelSolar D6P250B3A
 Max. DC power = 250Wp
 Voc = 37.37 V
 Vmp = 30.95 V
 Isc = 8.63 A
 Temp. Coeff. of Voc = -0.131 V/°C
 Temp. Coeff. of Isc = 0.0043 A/°C
 Temp. Coeff. of Vmp = -0.142 V/°C
 Module Efficiency = 15.3 %

Inverter :
 Delta Solivia 5.0
 Max. input power = 6,000Wp
 Input Voltage range = 125 ~ 600V
 Full power MPP range = 150 ~ 480V
 Max. current = 36.6A
 DC connector = 2 pairs
 Nominal apparent power = 5,000VA
 Voltage range = 184~264Vac
 AC output frequency = 50 Hz
 Max. current = 27.2 Aac
 Max. efficiency = 96.1%
 EU efficiency = 94.6%

Voltage Calculations :
 Voc @ coldest expected operating Temp.:
 Low ambient Temp. = 0°C
 $Voc(0°C) = Voc(STC) - 25°C * (\Delta Voc/°C) = 37.37 - 25 * (-0.131) = 40.65V$
 Max. modules of string:
 $n_{max} = V_{dc}(input\ max) / Voc(0°C) = 600 / 40.65 = 14.76 \leq 14\ pcs$
 Vmp @ highest expected operating Temp.:
 High ambient Temp. = 75°C
 $Vmp(75°C) = Vmp(STC) + (75°C - 25°C) * (\Delta Vmp/°C) = 30.95 + 50 * (-0.142) = 23.85V$
 Min. modules of string:
 $n_{min} = Vmp(min) / Vmp(75°C) = 150 / 23.85 = 6.29 \geq 7\ pcs$
 Selection modules of string = 12 pcs

$Voc(0°C)_{string} = Modules * Voc(0°C) = 12 * 40.65V = 487.8V < 600V$
 $Vmp(75°C)_{string} = Modules * (75°C) = 12 * 23.85V = 286.2V > 150V$

String in parallel :
 Max. DC power of Charge Controller / Selection modules of string / Module Max. DC power
 = 6,000W / 12pcs / 250W
 = 2parallel



NCTU Architecture
 國立交通大學建築研究所

Team Name: NCTU/UNICODE
 Address: 1001 Ta-Hsueh Road
 Hsinchu City 30010
 Taiwan
 Contact: www.sde.tw

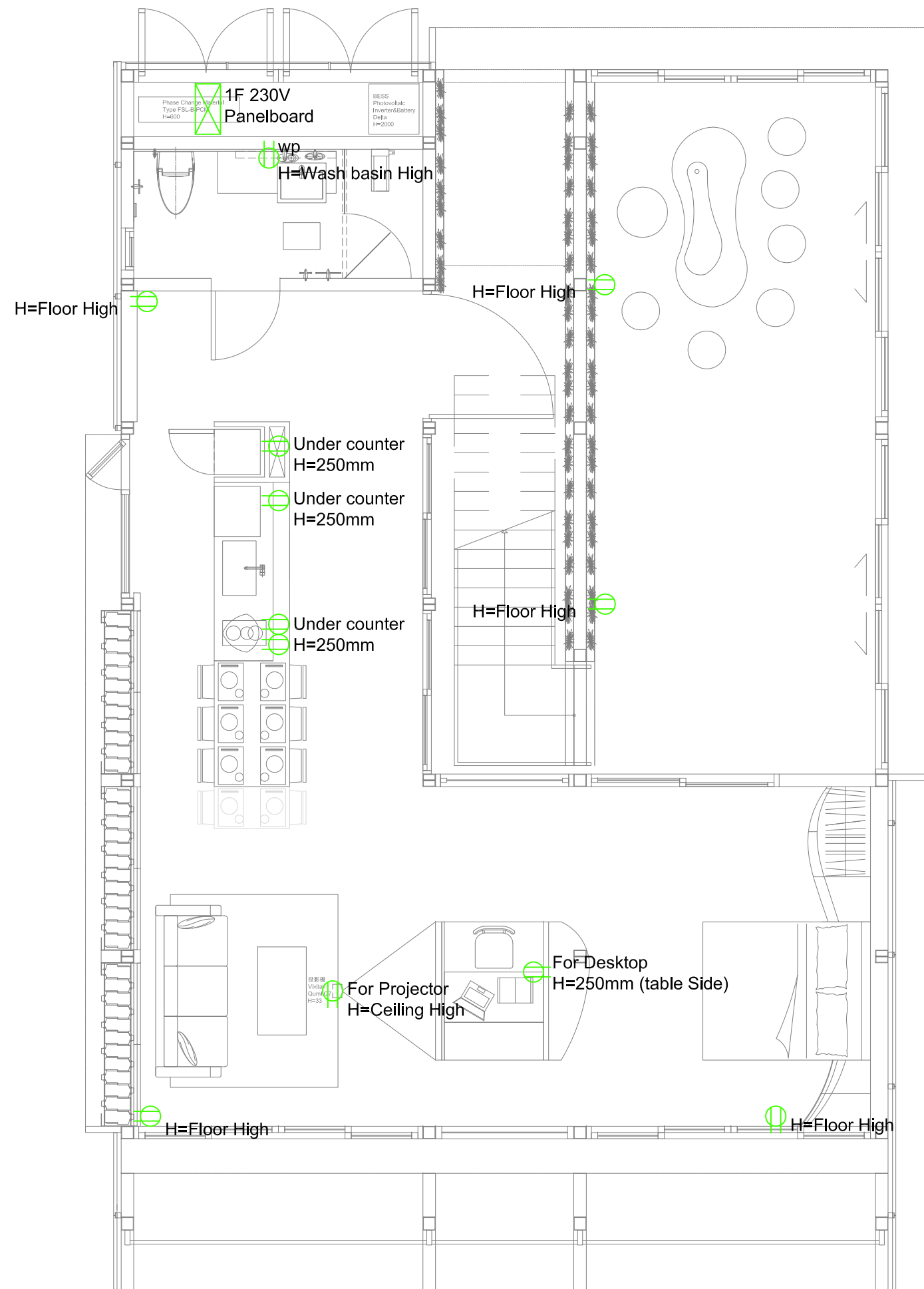


Note:

Mark	Date	Description
DN	2013/04/01	SD Submission
DN	2013/07/01	DDc Submission
ST	2013/11/01	DD Submission

Drawn by: GK
 Checked by: DN
 Scale: -
 Unit: -

DWG. Title: DC WIRING DIAGRAM
 DWG. No.: EL-201



SYMBOL & LEGEND	
	Socket outlet with child protection, 16A 2P+E, 250V
	Socket outlet with water-proof cover, IP54, 16A 2P+E, 250V
	230V Electrical Panelboard



Project:



Institution:



NCTU Architecture
國立交通大學建築研究所

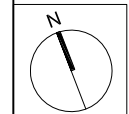
Team Name: NCTU/UNICODE
Address: 1001 Ta-Hsueh Road
Hsinchu City 30010
Taiwan
Contact: www.sde.tw



Consultants:



Note:



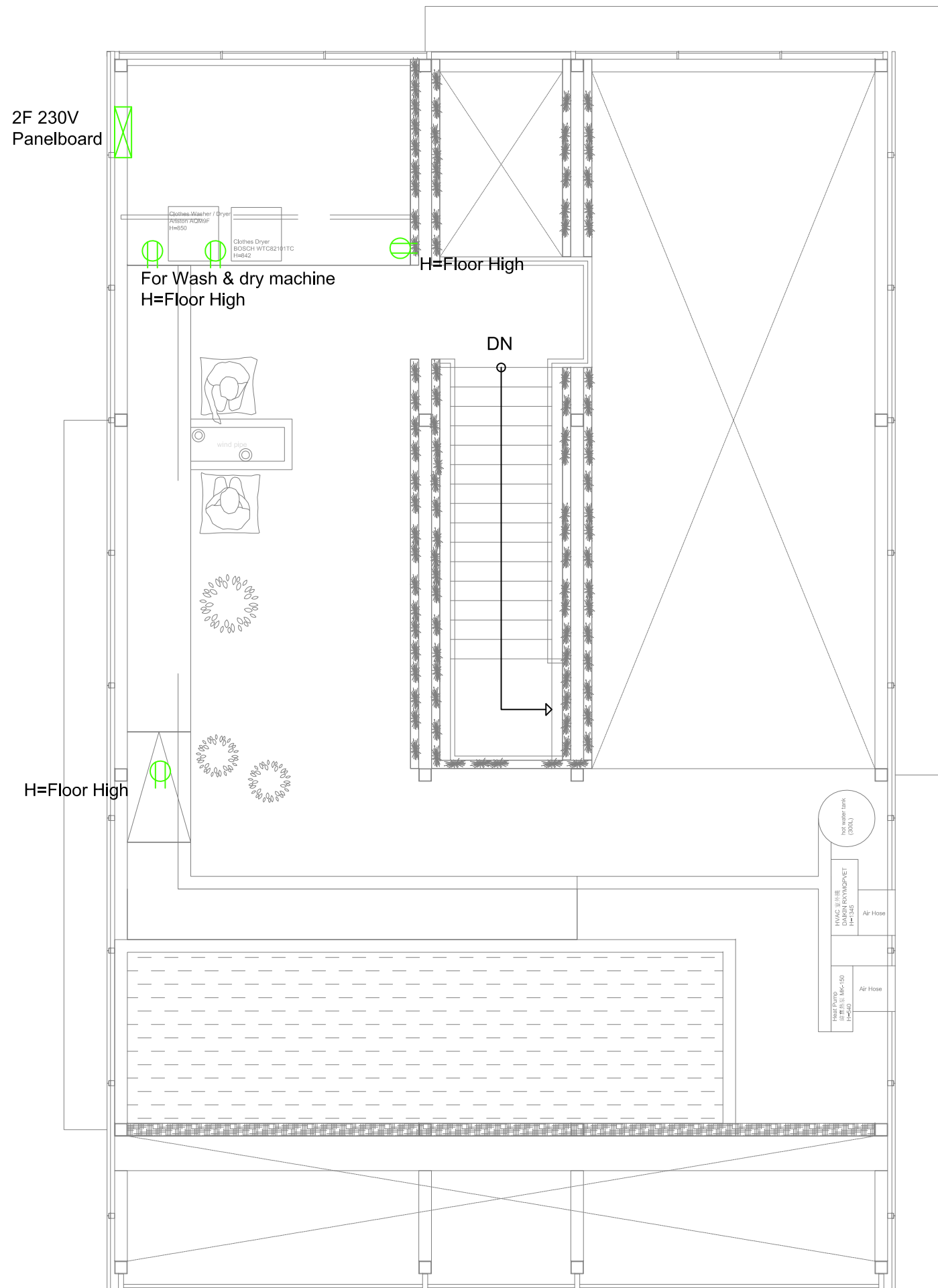
Mark	Date	Description
DN	2013/04/01	SD Submission
DN	2013/07/01	DDc Submission
ST	2013/11/01	DD Submission

Drawn by	RAYS
Checked by	DN
Scale	1:60
Unit	mm

DWG. Title
**POWER PLAN
GROUND LEVEL**

DWG. No.
EL-301





SYMBOL & LEGEND	
	Socket outlet with child protection, 16A 2P+E, 250V
	Socket outlet with water-proof cover, IP54, 16A 2P+E, 250V
	230V Electrical Panelboard



NCTU Architecture
國立交通大學建築研究所

Team Name: NCTU/UNICODE
Address: 1001 Ta-Hsueh Road
Hsinchu City 30010
Taiwan
Contact: www.sde.tw



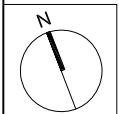
Note:

Mark	Date	Description
DN	2013/04/01	SD Submission
DN	2013/07/01	DDc Submission
ST	2013/11/01	DD Submission

Drawn by	RAYS
Checked by	DN
Scale	1:60
Unit	mm

DWG. Title
POWER PLAN
MEZZANINE LEVEL

DWG. No.
EL-302



Project:



Institution:



NCTU Architecture
國立交通大學建築研究所

Team Name: NCTU/UNICODE

Address: 1001 Ta-Hsueh Road
Hsinchu City 30010
Taiwan

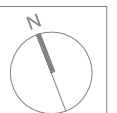
Contact: www.sde.tw



Consultants:



Note:



Mark	Date	Description
DN	2013/04/01	SD Submission
DN	2013/07/01	DDc Submission
ST	2013/11/01	DD Submission

Drawn by: RAYS

Checked by: DN

Scale: 1:100

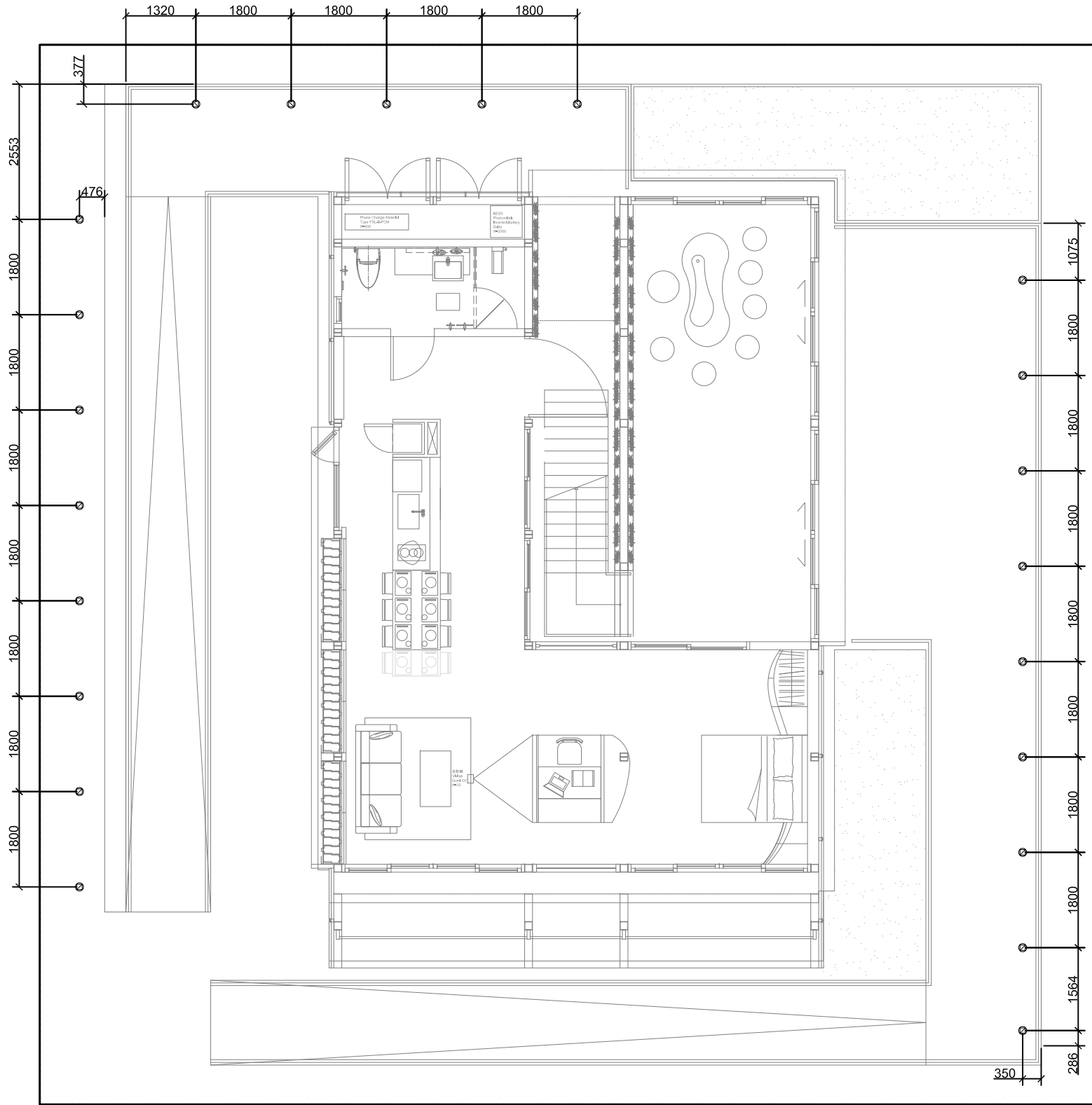
Unit: mm

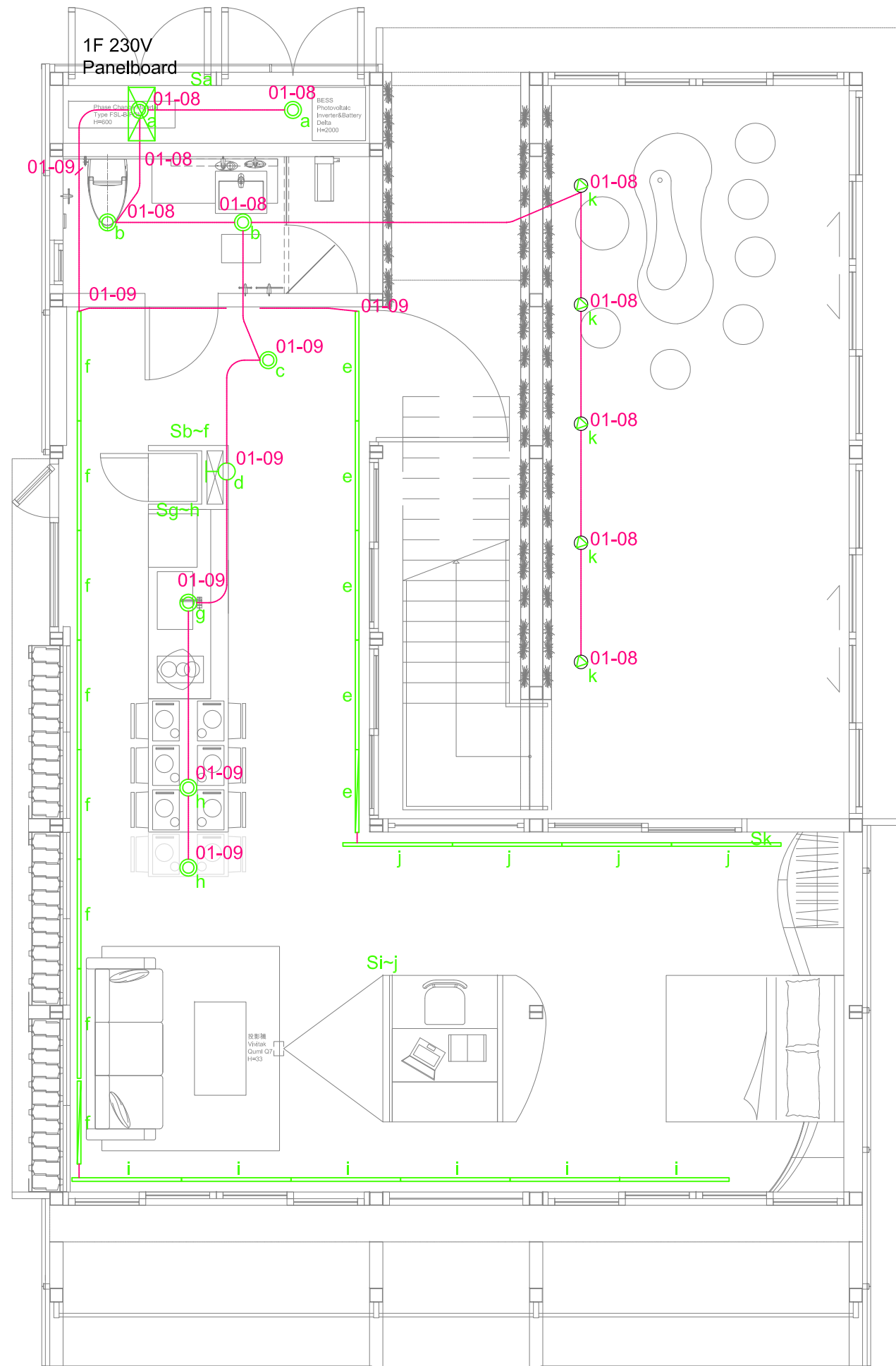
DWG. Title

LIGHTING PLAN
SITE

DWG. No.

EL-401





SYMBOL & LEGEND	
	Delta DIPT-3106 / 1.2Wx6 AC 100~240V, Wall mounted
	Delta BFDA-W / 12W(1233x37) AC 100~240V, Wall mounted
	Delta BFDA-W / 9W (933x37) AC 100~240V, Wall mounted
	Delta BWPT-112R / 1.2Wx3 AC 100~240V, Wall mounted
	Delta DRPT-509AD / 1.2Wx9 AC 100~240V, Recess mounted
	Delta BUPR-005 / 1.2W AC 100~240V, Recess mounted
	Floor Lamp / 1.2W A60 / DF 10W AC 100~240V / E2
	Lighting Switch single-cut
	Lighting Switch double-cut
	230V Electrical Panelboard
	Branch Circuit (concealed in Ceiling or Wall)
	Branch Circuit (Exposed on Wall)

NOTE	
<u>LOOP NUMBER</u>	
01-03	— CIRCUIT NUMBER
	— PANEL NUMBER
<u>PANEL NUMBER</u>	
01--	1F 230V Panelboard
02--	2F 230V Panelboard



Project:



Institution:



NCTU Architecture
國立交通大學建築研究所

Team Name: NCTU/UNICODE
Address: 1001 Ta-Hsueh Road
Hsinchu City 30010
Taiwan
Contact: www.sde.tw



Consultants:



Note:

Mark	Date	Description
DN	2013/04/01	SD Submission
DN	2013/07/01	DDc Submission
ST	2013/11/01	DD Submission

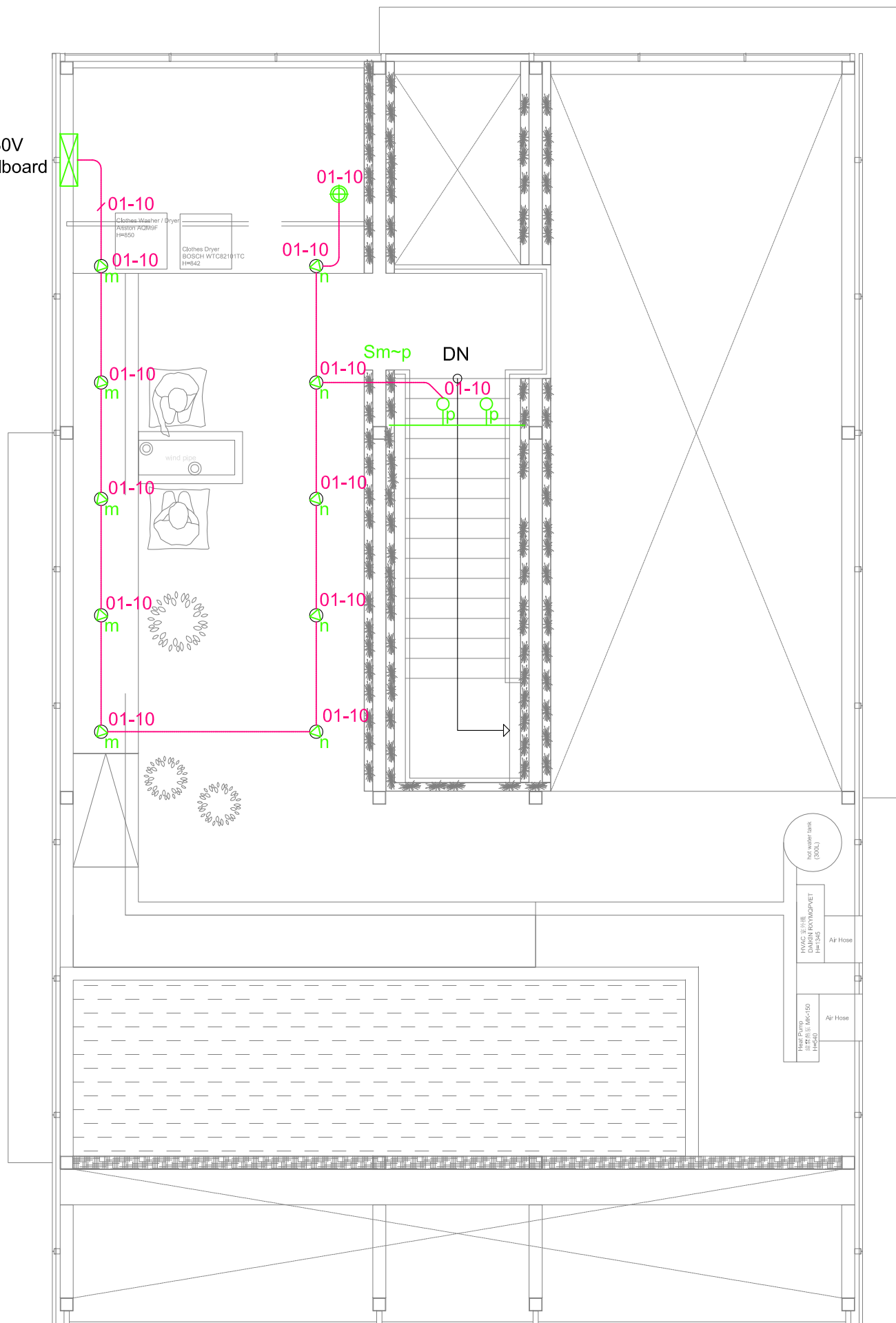
Drawn by	RAYS
Checked by	DN
Scale	1:60
Unit	mm

DWG. Title
**LIGHTING PLAN
GROUND LEVEL**

DWG. No.
EL-402



2F 230V
Panelboard



SYMBOL & LEGEND	
	Delta DIPT-3106 / 1.2Wx6 AC 100~240V, Wall mounted
	Delta BFDA-W / 12W(1233x37) AC 100~240V, Wall mounted
	Delta BFDA-W / 9W (933x37) AC 100~240V, Wall mounted
	Delta BWPT-112R / 1.2Wx3 AC 100~240V, Wall mounted
	Delta DRPT-509AD / 1.2Wx9 AC 100~240V, Recess mounted
	Delta BUPR-005 / 1.2W AC 100~240V, Recess mounted
	Floor Lamp / 1.2W A60 / DF 10W AC 100~240V / E2
	Lighting Switch single-cut
	Lighting Switch double-cut
	230V Electrical Panelboard
	Branch Circuit (concealed in Ceiling or Wall)
	Branch Circuit (Exposed on Wall)

NOTE	
<u>LOOP NUMBER</u>	
01-03	CIRCUIT NUMBER
	PANEL NUMBER
<u>PANEL NUMBER</u>	
01--	1F 230V Panelboard
02--	2F 230V Panelboard



Team Name: NCTU/UNICODE
Address: 1001 Ta-Hsueh Road
Hsinchu City 30010
Taiwan
Contact: www.sde.tw



Note:

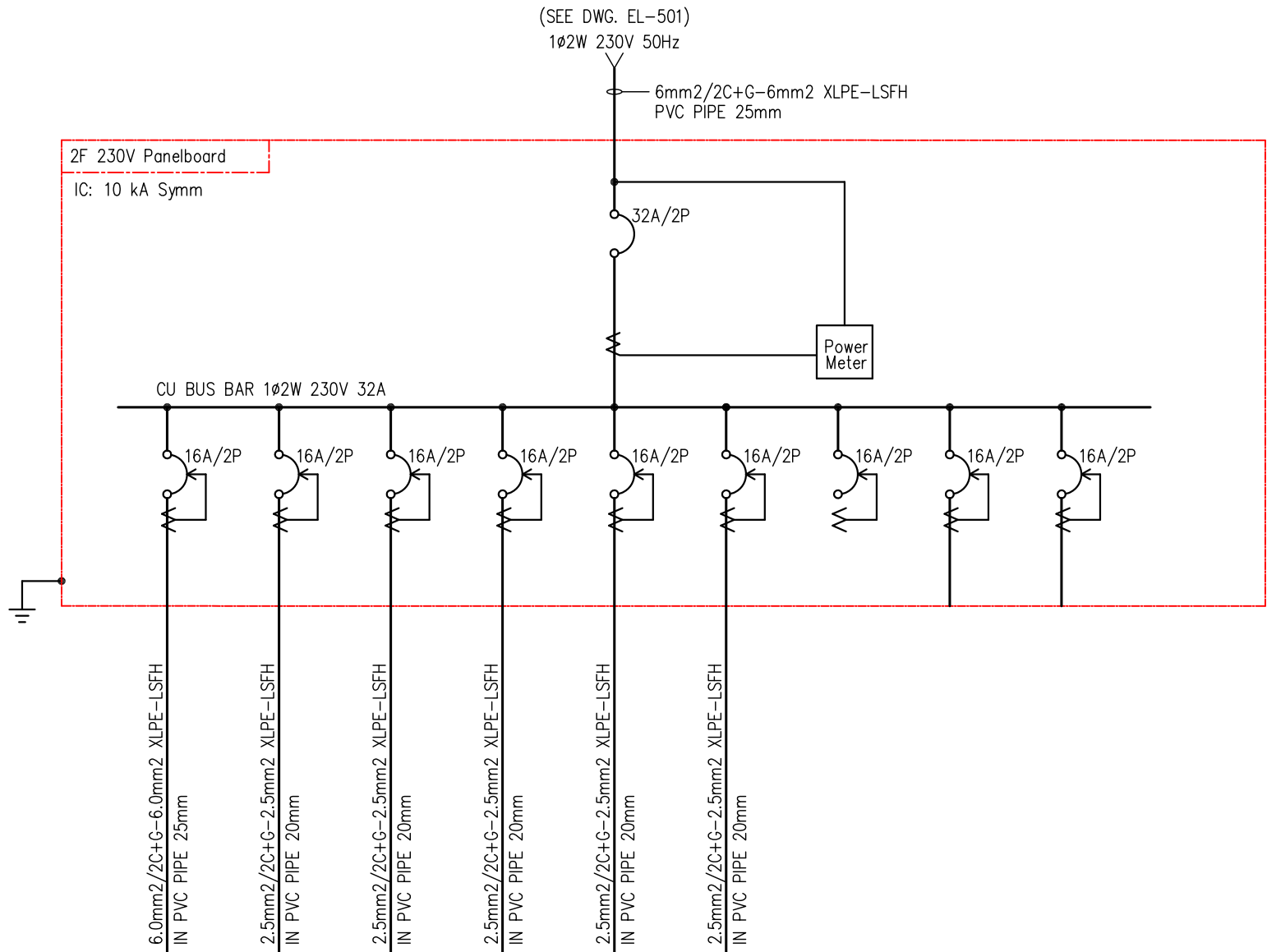
Mark	Date	Description
DN	2013/04/01	SD Submission
DN	2013/07/01	DDc Submission
ST	2013/11/01	DD Submission

Drawn by: RAYS
Checked by: DN
Scale: 1:60
Unit: mm

DWG. Title
LIGHTING PLAN
MEZZANINE LEVEL

DWG. No.
EL-403





CIRCUIT NO.	1	2	3	4	5	6	7	8	9
DESCRIPTION	VRV	HRV & PCM	Heat Pump	Laundry Space Receptacle	Water wall Pump	Circulation FAN	Spare	Spare	Spare
LOAD(W)	2760W	100W	2100W	-	373W	40W	-	-	-
CURRENT (A)	-	-	-	-	-	-	-	-	-
VOLTAGE (V)	220V	220V	220V	220V	220V	220V	220V	220V	220V

ELECTRICAL SYMBOLS	
	LOW VOLTAGE MOLDED CASE CIRCUIT BREAKER
	LOW VOLTAGE MOLDED CASE CIRCUIT BREAKER WITH GROUND FAULT CIRCUIT INTERRUPTER (GFCI)
	GROUNDING
	CURRENT TRANSFORMER
	TRANSFORMER
	LOW VOLTAGE FUSE
	0.6/1KV LOW SMOKE FREE OF HALOGEN CABLE
	Surge Protection Device



NCTU Architecture
國立交通大學建築研究所

Team Name: NCTU/UNICODE
Address: 1001 Ta-Hsueh Road
Hsinchu City 30010
Taiwan
Contact: www.sde.tw



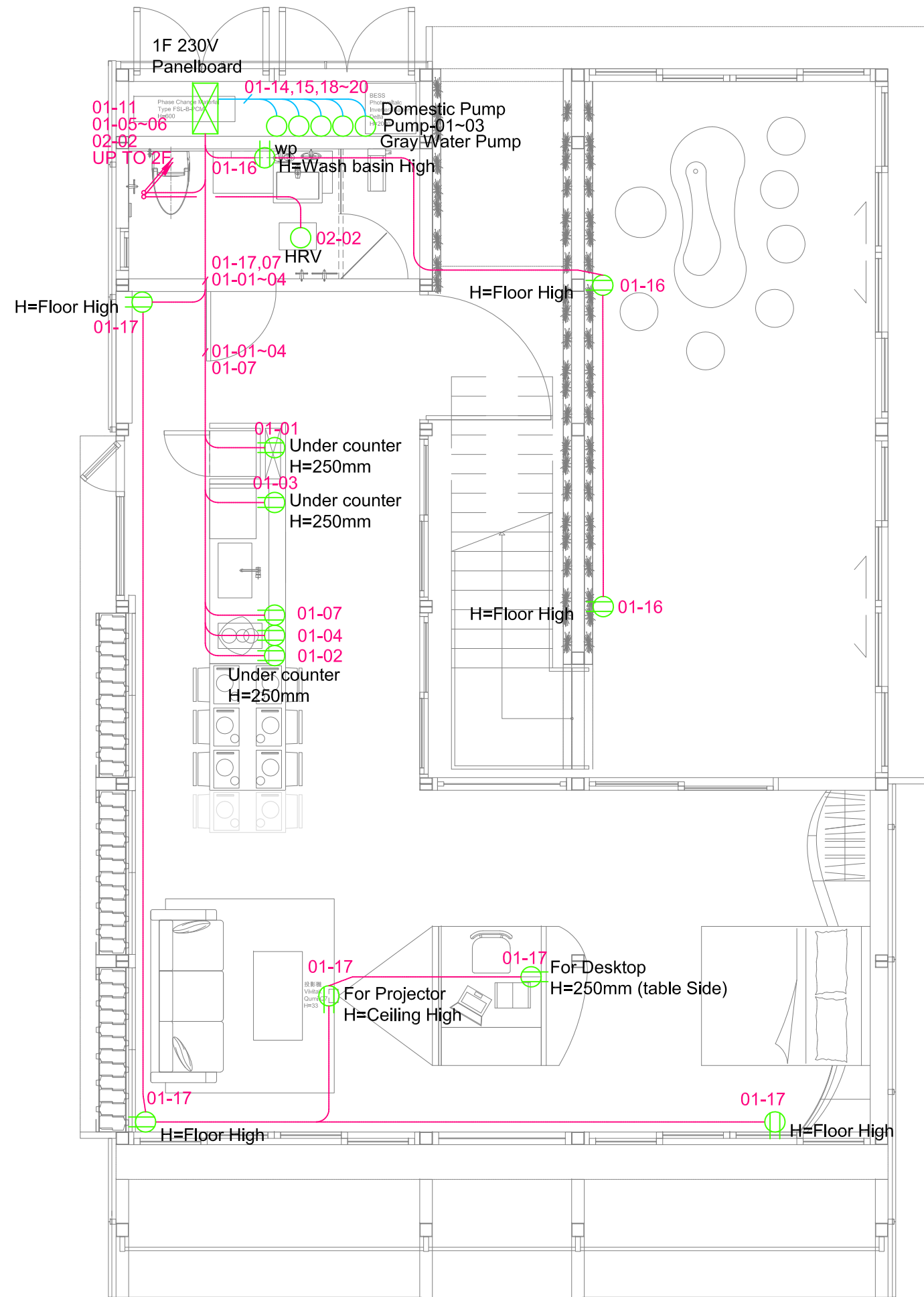
Note:

Mark	Date	Description
DN	2013/04/01	SD Submission
DN	2013/07/01	DDc Submission
ST	2013/11/01	DD Submission

Drawn by: RAYS
Checked by: DN
Scale: -
Unit: -

DWG. Title: ONE-LINE DIAGRAM 3

DWG. No.: EL-503



SYMBOL & LEGEND	
	Socket outlet with child protection, 16A 2P+E, 250V
	Socket outlet with water-proof cover, IP54, 16A 2P+E, 250V
	Pump or Motor 2P+E, 220V
	230V Electrical Panelboard
	Branch Circuit (concealed in Ceiling or Wall)
	Branch Circuit (Exposed on Wall)
NOTE	
<p><u>LOOP NUMBER</u></p> <p>01-03 ——— CIRCUIT NUMBER</p> <p>└——— PANEL NUMBER</p> <p><u>PANEL NUMBER</u></p> <p>01-- 1F 230V Panelboard</p> <p>02-- 2F 230V Panelboard</p>	



NCTU Architecture
國立交通大學建築研究所

Team Name: NCTU/UNICODE
Address: 1001 Ta-Hsueh Road Hsinchu City 30010 Taiwan
Contact: www.sde.tw




Note:

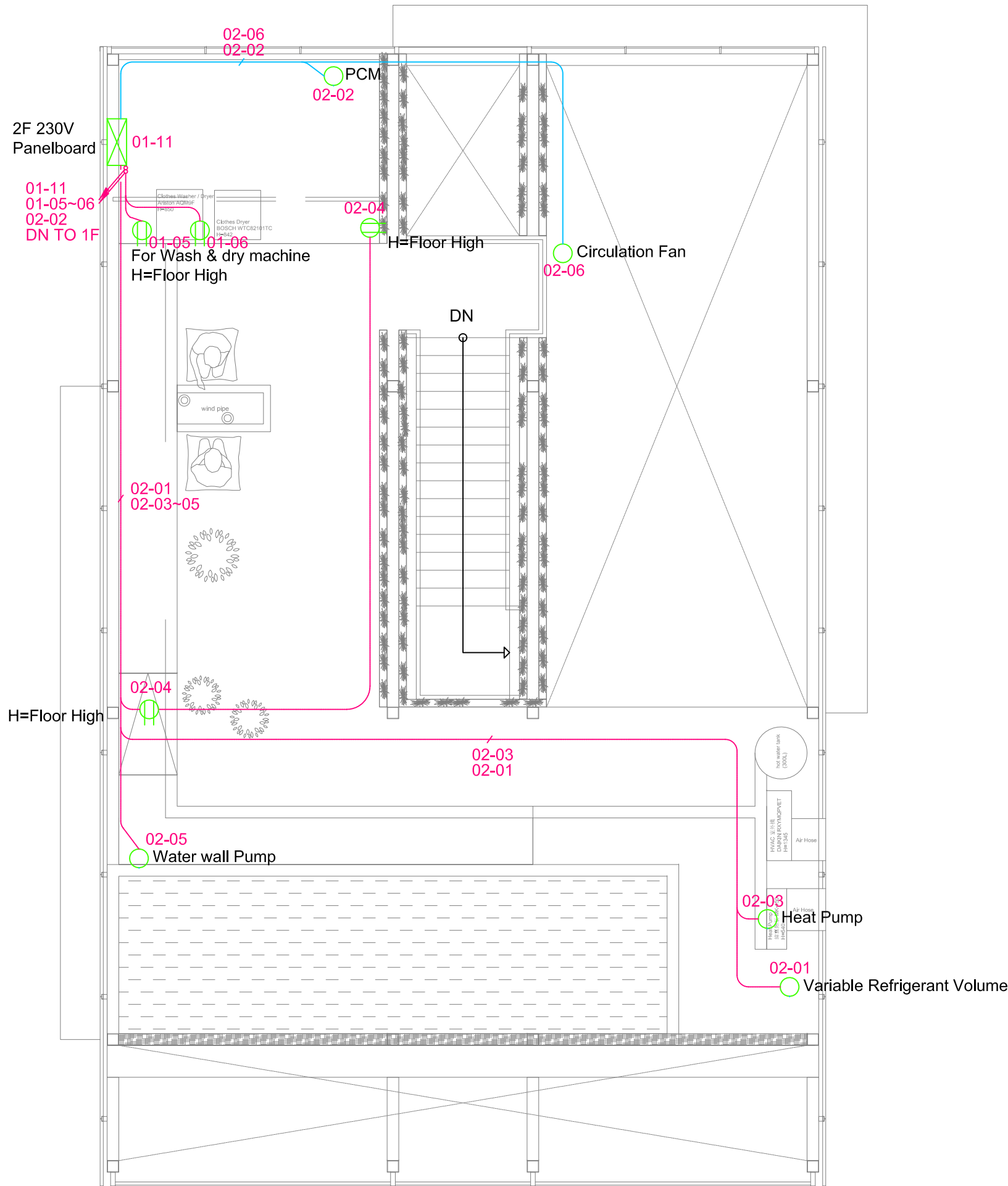
Mark	Date	Description
DN	2013/04/01	SD Submission
DN	2013/07/01	DDc Submission
ST	2013/11/01	DD Submission

Drawn by RAYS
Checked by DN
Scale 1:60
Unit mm

DWG. Title
AC CIRCUIT LAYOUT
GROUND LEVEL

DWG. No.
EL-601





SYMBOL & LEGEND	
	Socket outlet with child protection, 16A 2P+E, 250V
	Socket outlet with water-proof cover, IP54, 16A 2P+E, 250V
	Pump or Motor 2P+E, 220V
	230V Electrical Panelboard
	Branch Circuit (concealed in Ceiling or Wall)
	Branch Circuit (Exposed on Wall)
NOTE	
<p><u>LOOP NUMBER</u> 01-03 ——— CIRCUIT NUMBER L ——— PANEL NUMBER</p> <p><u>PANEL NUMBER</u> 01-- 1F 230V Panelboard 02-- 2F 230V Panelboard</p>	



NCTU Architecture
國立交通大學建築研究所

Team Name: NCTU/UNICODE
Address: 1001 Ta-Hsueh Road
Hsinchu City 30010
Taiwan
Contact: www.sde.tw




Note:

Mark	Date	Description
DN	2013/04/01	SD Submission
DN	2013/07/01	DDc Submission
ST	2013/11/01	DD Submission

Drawn by: RAYS
Checked by: DN
Scale: 1:60
Unit: mm

DWG. Title:
AC CIRCUIT LAYOUT
MEZZANINE LEVEL

DWG. No.:
EL-602

Project:



Institution:



NCTU Architecture
國立交通大學建築研究所

Team Name:

NCTU/UNICODE

Address:

1001 Ta-Hsueh Road
Hsinchu City 30010
Taiwan

Contact:

www.sde.tw



Consultants:



台達電子工業股份有限公司
DELTA ELECTRONICS, INC.

Note:

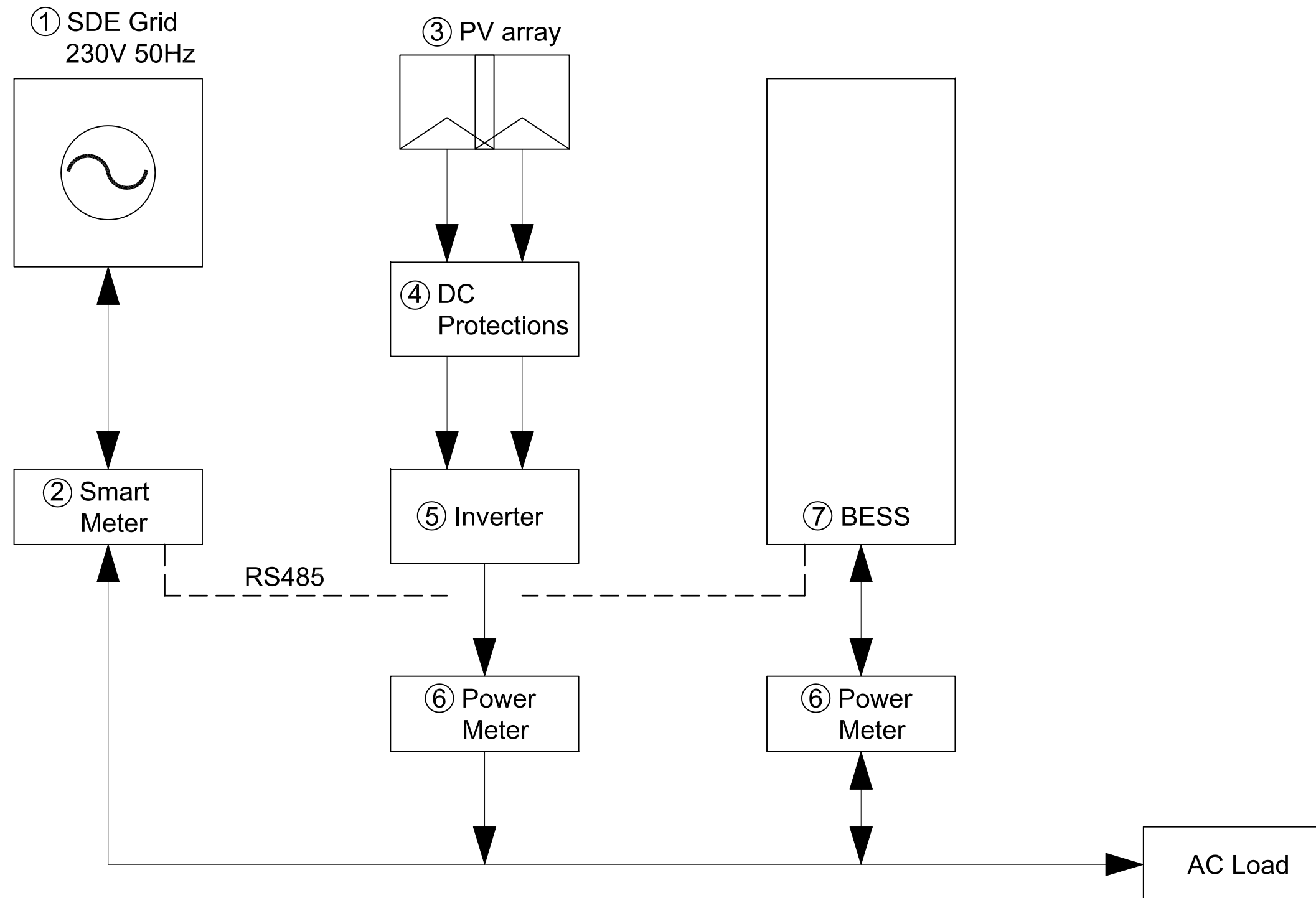
Mark	Date	Description
DN	2013/04/01	SD Submission
DN	2013/07/01	DDc Submission
ST	2013/11/01	DD Submission

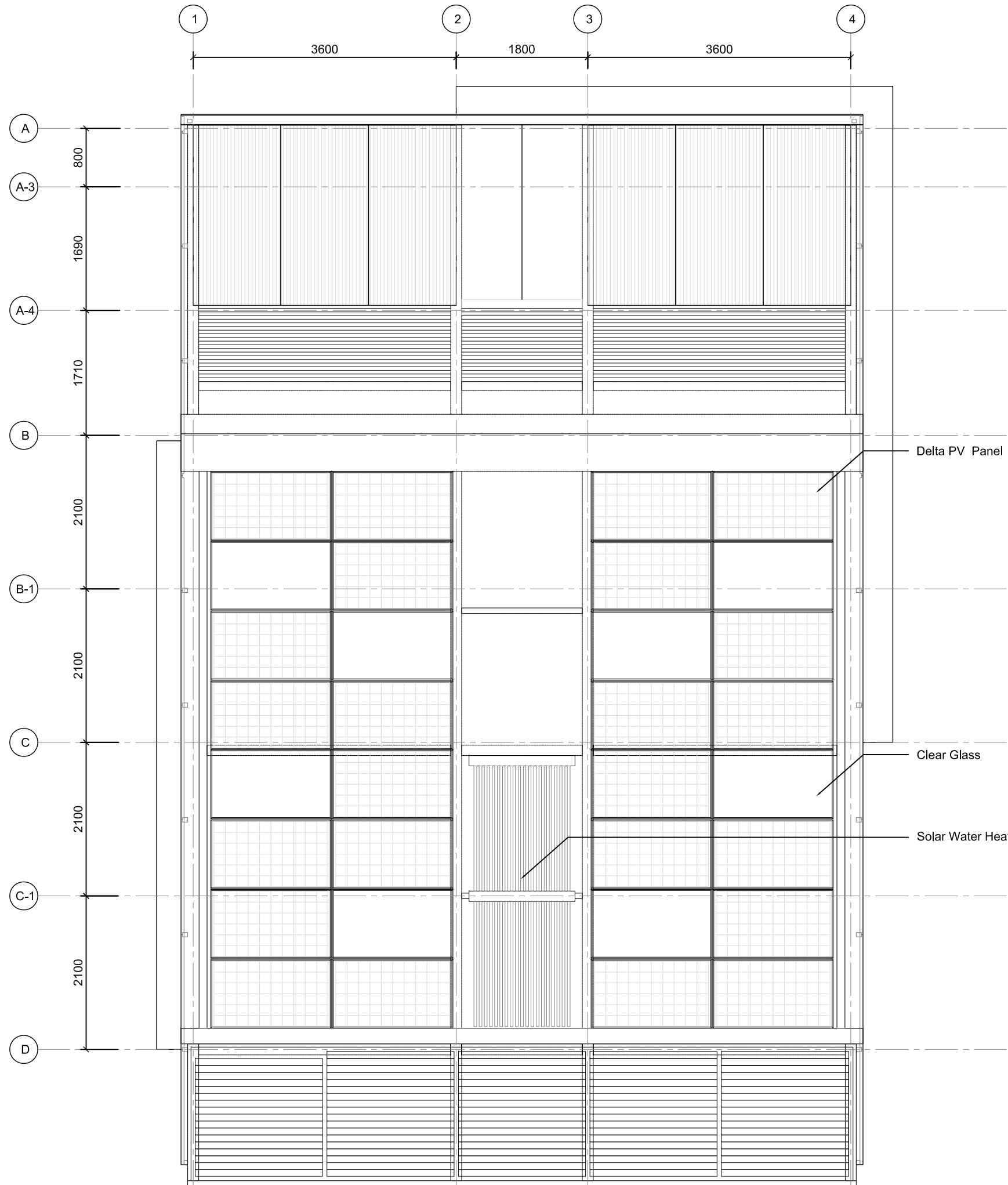
Drawn by	CF
Checked by	DN
Scale	N/A
Unit	N/A

DWG. Title
PHOTOVOLTAIC SYSTEM:
GENERAL

DWG. No.
PV-001

Tag	Components	Manufacturer	Model	Q'ty	Notes
①	SDE Grid			1	Organizer Supplied Meter
②	Smart Meter	Schneider	PM3200	1	
③	PV array	DelSolar	D6P250B3A	24	
④	DC Protections	HI BOX		1	
⑤	Inverter	Delta	Solivia 5.0	1	
⑥	Power Meter	Schneider	PM3200	2	
⑦	BESS	Delta		1	Battery Energy Storage System





System Design Data	
Module Type	Standard
Module Power	250 Wp
Number of Module	24 pieces
Inverter Type	Solivia 5.0
Number of Inverter	1
System Capacity	6 kWp
Tilt Angle of Modules	18°
Azimuth of Modules	South
System Type	On Grid



NCTU Architecture
國立交通大學建築研究所

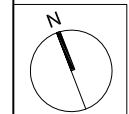
Team Name: NCTU/UNICODE
Address: 1001 Ta-Hsueh Road
Hsinchu City 30010
Taiwan
Contact: www.sde.tw



Consultants:



Note:



Mark	Date	Description
DN	2013/04/01	SD Submission
DN	2013/07/01	DDc Submission
ST	2013/11/01	DD Submission

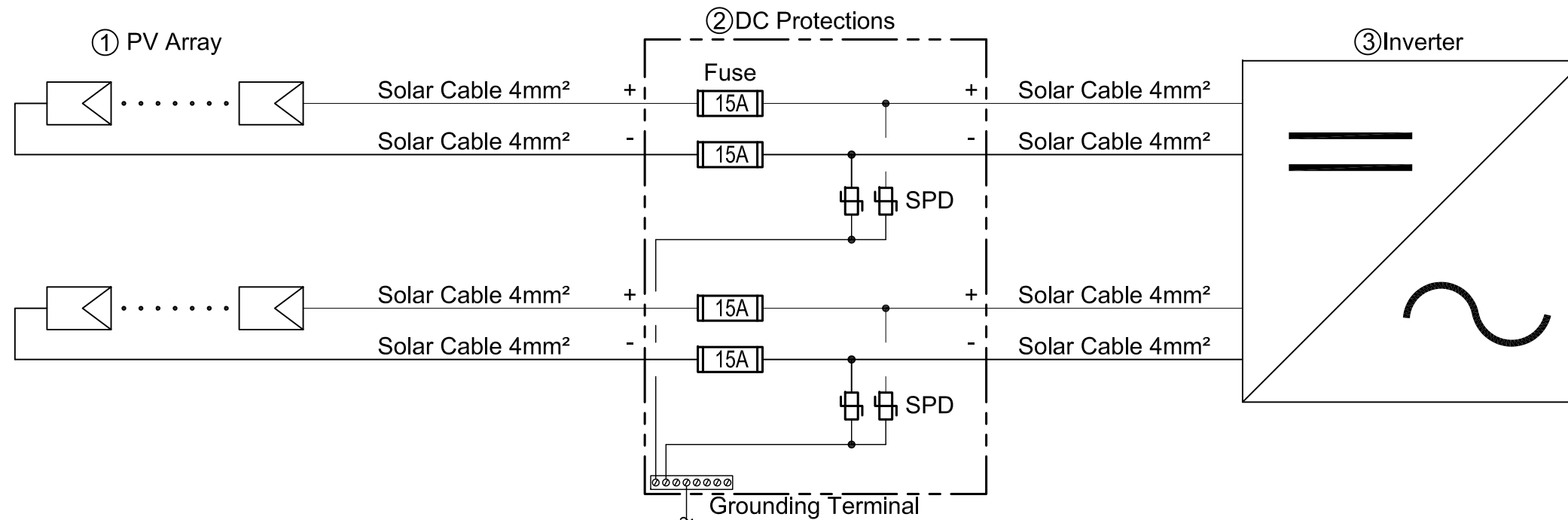
Drawn by	CF
Checked by	DN
Scale	1:60
Unit	mm

DWG. Title
PHOTOVOLTAIC SYSTEM:
GENERAL 2

DWG. No.
PV-002



Tag	Components	Manufacturer	Model	Q'ty	Notes
①	PV Module	DeSolar	D6P250B3A	24	
②	Box	HI BOX		1	
	Fuse	Littelfuse	LPSC+KLKD	4	
	Surge Protection Device	Shihlin	BHP30	4	
③	Inverter	Delta	Solivia 5.0	1	



Photovoltaic Module :
 DeSolar D6P250B3A
 Max. DC power = 250Wp
 Voc = 37.37 V
 Vmp = 30.95 V
 Isc = 8.63 A
 Temp. Coeff. of Voc = -0.131 V/°C
 Temp. Coeff. of Isc = 0.0043 A/°C
 Temp. Coeff. of Vmp = -0.142 V/°C
 Module Efficiency = 15.3 %

Inverter :
 Delta Solivia 5.0
 Max. input power = 6,000Wp
 Input Voltage range = 125 ~ 600V
 Full power MPP range = 150 ~ 480V
 Max. current = 36.6A
 DC connector = 2 pairs
 Nominal apparent power = 5,000VA
 Voltage range = 184~264Vac
 AC output frequency = 50 Hz
 Max. current = 27.2 Aac
 Max. efficiency = 96.1%
 EU efficiency = 94.6%

Voltage Calculations :
 Voc @ coldest expected operating Temp.:
 Low ambient Temp. = 0 °C
 $V_{oc}(0^{\circ}\text{C}) = V_{oc}(\text{STC}) - 25^{\circ}\text{C} * (\Delta V_{oc}/^{\circ}\text{C}) = 37.37 - 25 * (-0.131) = 40.65\text{V}$
 Max. modules of string:
 $n_{\text{max}} = V_{\text{dc}}(\text{input max}) / V_{oc}(0^{\circ}\text{C}) = 600 / 40.65 = 14.76 \leq 14\text{pcs}$
 Vmp @ highest expected operating Temp.:
 High ambient Temp. = 75 °C
 $V_{mp}(75^{\circ}\text{C}) = V_{mp}(\text{STC}) + (75^{\circ}\text{C} - 25^{\circ}\text{C}) * (\Delta V_{mp}/^{\circ}\text{C}) = 30.95 + 50 * (-0.142) = 23.85\text{V}$
 Min. modules of string:
 $n_{\text{min}} = V_{mp}(\text{min}) / V_{mp}(75^{\circ}\text{C}) = 150 / 23.85 = 6.29 \geq 7\text{pcs}$
 Selection modules of string = 12 pcs

$V_{oc}(0^{\circ}\text{C})_{\text{string}} = \text{Modules} * V_{oc}(0^{\circ}\text{C}) = 12 * 40.65\text{V} = 487.8\text{V} < 600\text{V}$

$V_{mp}(75^{\circ}\text{C})_{\text{string}} = \text{Modules} * (75^{\circ}\text{C}) = 12 * 23.85\text{V} = 286.2\text{V} > 150\text{V}$

String in parallel :
 Max. DC power of Charge Controller / Selection modules of string / Module Max. DC power
 = 6,000W / 12pcs / 250W
 = 2parallel

Note:

Mark	Date	Description
DN	2013/04/01	SD Submission
DN	2013/07/01	DDc Submission
ST	2013/11/01	DD Submission

Drawn by	CF
Checked by	DN
Scale	N/A
Unit	N/A

DWG. Title
 PHOTOVOLTAIC SYSTEM:
 DC CIRCUITS

DWG. No.

PV-011



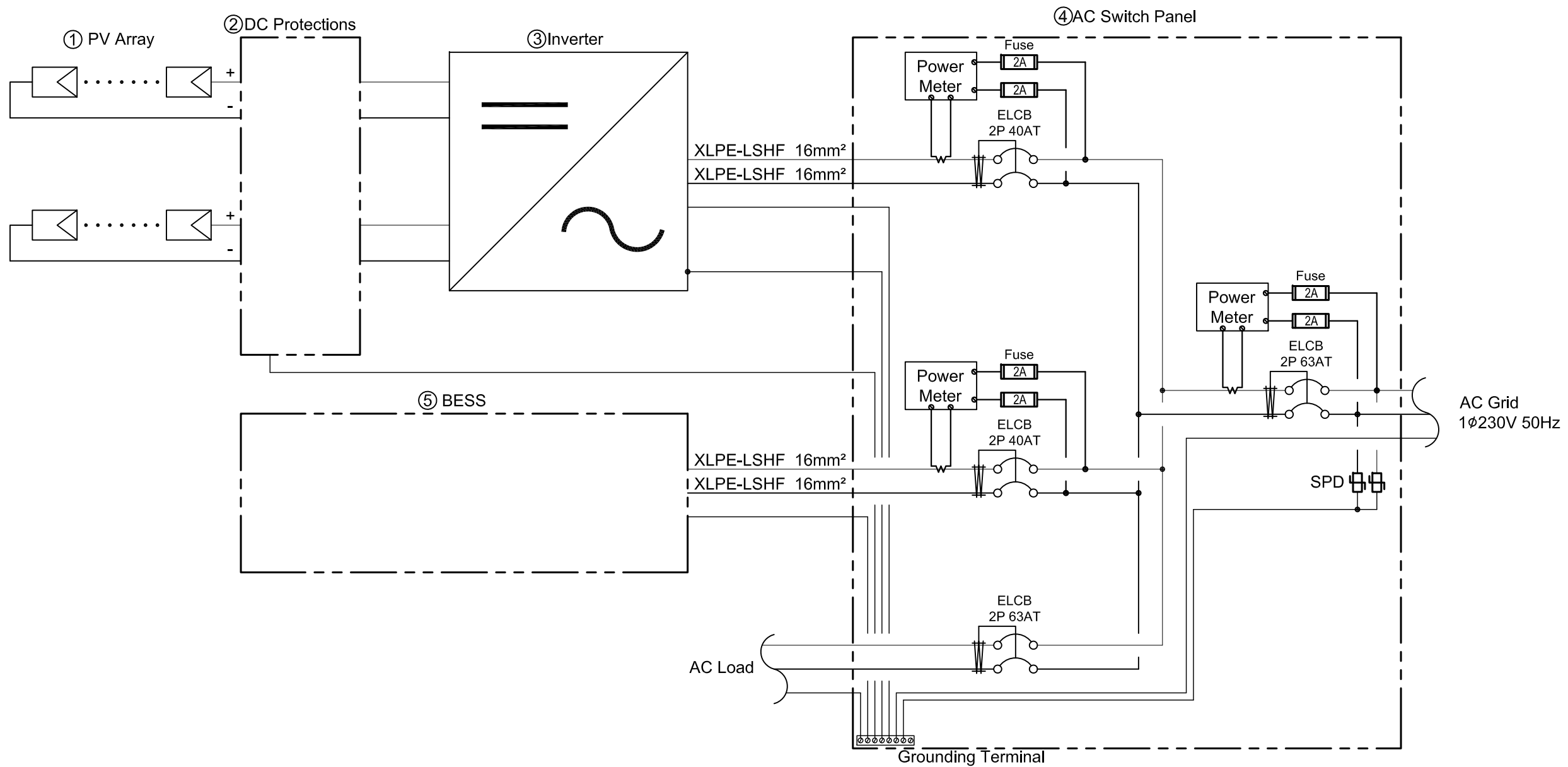
Mark	Date	Description
DN	2013/04/01	SD Submission
DN	2013/07/01	DDc Submission
ST	2013/11/01	DD Submission

Drawn by	CF
Checked by	DN
Scale	N/A
Unit	N/A

DWG. Title
PHOTOVOLTAIC SYSTEM:
AC CIRCUITS

DWG. No.
PV-021

Tag	Components	Manufacturer	Model	Q'ty	Notes
①	PV Module	DelSolar	D6P250B3A	24	
②	DC Protections	HI BOX		1	
③	Inverter	Delta	Solivia 5.0	1	
④	Box	HI BOX		1	
	Power Meter	Schneider	PM3200	3	
	ELCB	Shihlin		4	
⑤	Surge Protection Device	Shihlin		2	Battery Energy Storage System
	BESS	Delta		1	





Mark	Date	Description
DN	2013/04/01	SD Submission
DN	2013/07/01	DDc Submission
ST	2013/11/01	DD Submission

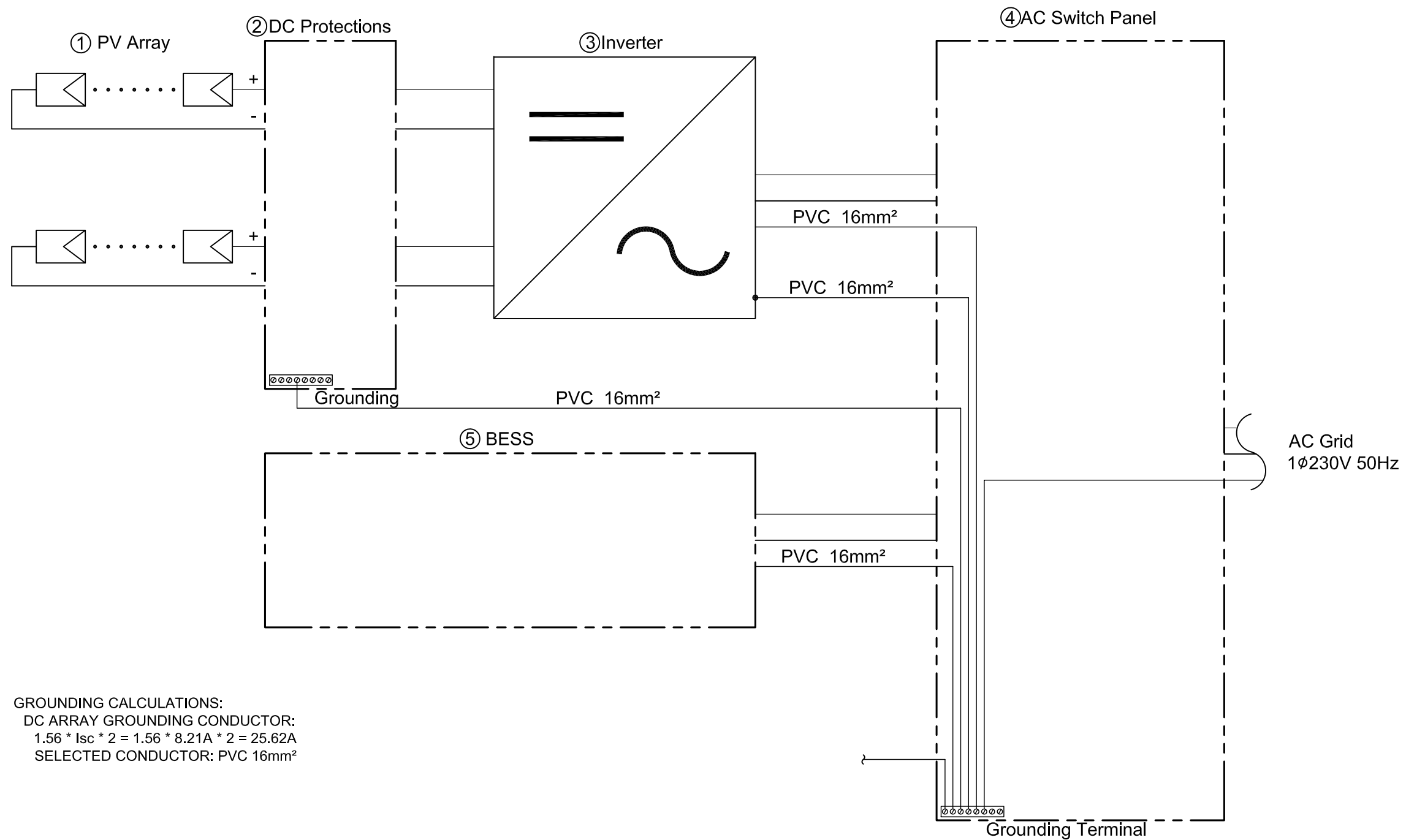
Drawn by	CF
Checked by	DN
Scale	N/A
Unit	N/A

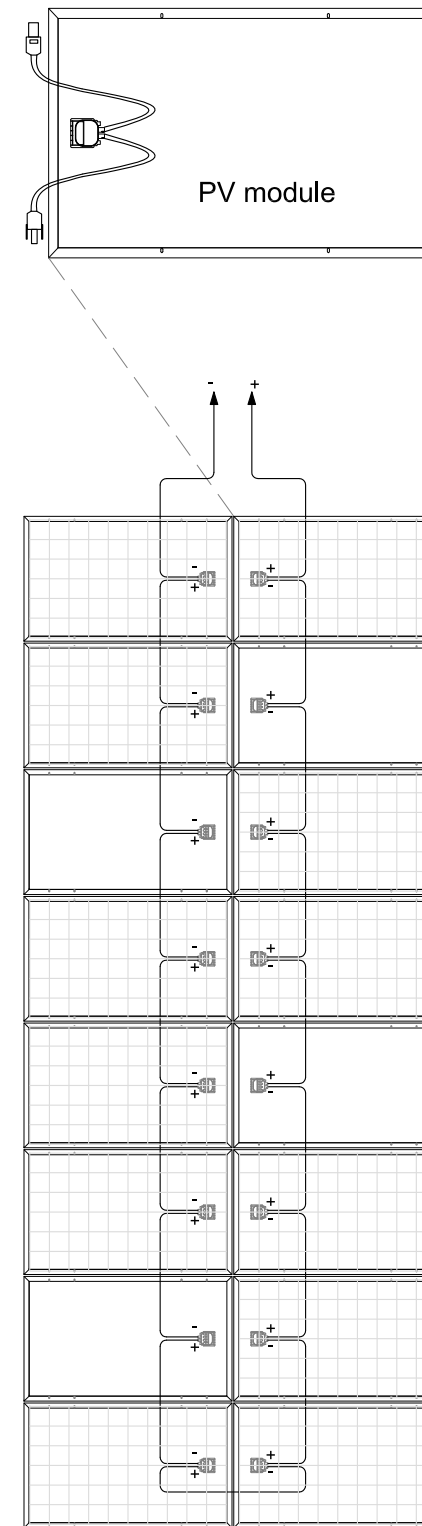
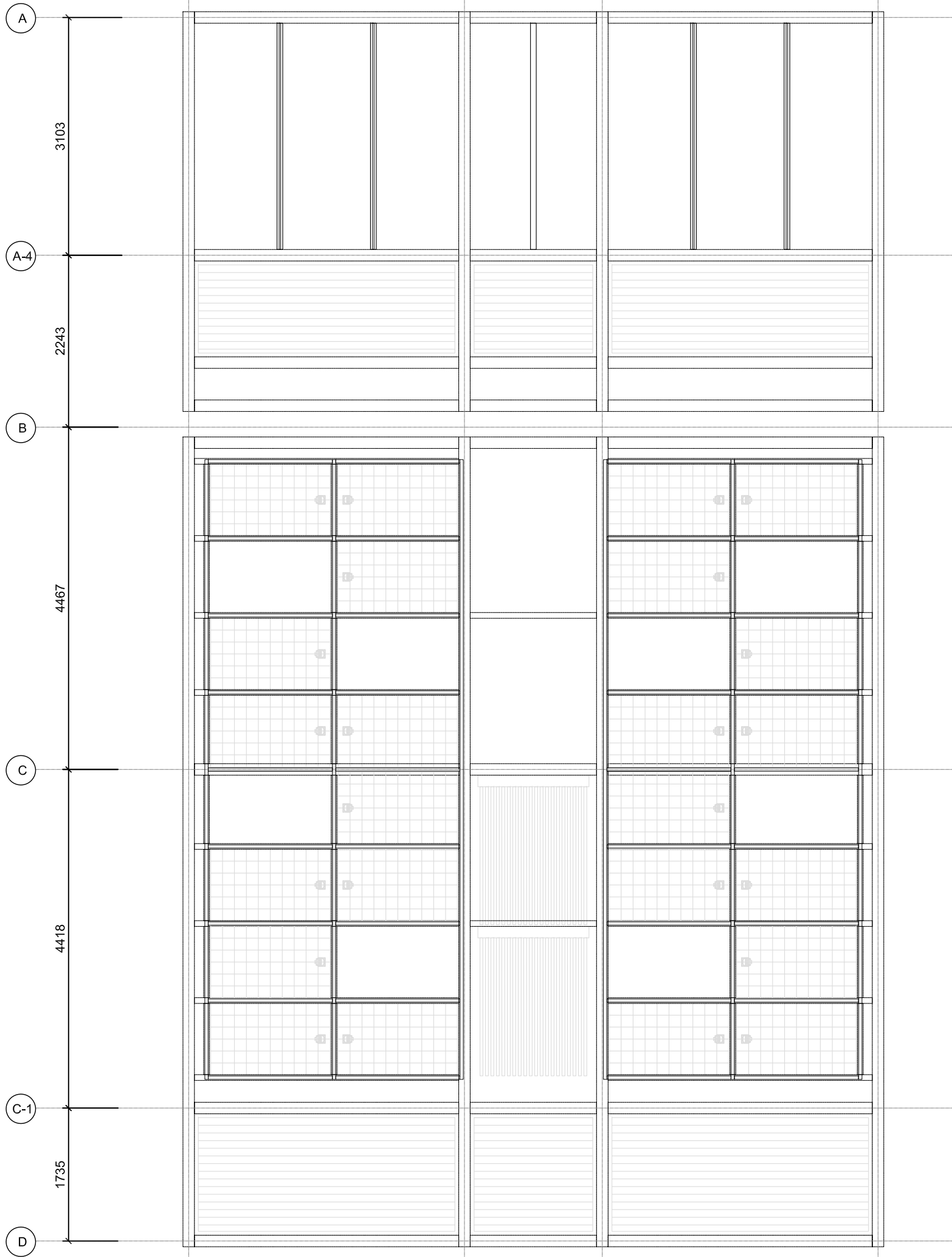
 DWG. Title
**PHOTOVOLTAIC SYSTEM:
 GROUNDING SYSTEM**

DWG. No.

PV-031

Tag	Components	Manufacturer	Model	Q'ty	Notes
①	PV Module	DeiSolar	D6P250B3A	24	
②	DC Protections	HI BOX		1	
③	Inverter	Delta	Solivia 5.0	1	
④	AC Switch Panel	HI BOX		1	
⑤	BESS	Delta		1	Battery Energy Storage System





Project:



Institution:



NCTU Architecture
國立交通大學建築研究所

Team Name: NCTU/UNICODE

Address: 1001 Ta-Hsueh Road
Hsinchu City 30010
Taiwan

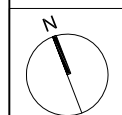
Contact: www.sde.tw



Consultants:



Note:



Mark	Date	Description
DN	2013/04/01	SD Submission
DN	2013/07/01	DDc Submission
ST	2013/11/01	DD Submission

Drawn by: CF

Checked by: DN

Scale: 1:60

Unit: mm

DWG. Title

PHOTOVOLTAIC SYSTEM:
MODULE STRING LAYOUT

DWG. No.

PV-042



- A** Temperature & Humidity
Light Level Sensor
Lighting
Motion Detector
Sound Sensor
- B** Temperature & Humidity
Light Level Sensor
Lighting
Motion Detector
- C** Temperature & Humidity
- D** Smoke Detector
- E** Air Quality-CO2
- F** Air Quality-VOC
- G** Soil Moisture Sensor
- H** Smart Weather Station
Temperature & Humidity
Light Level Sensor
Wind Speed
Air Quality-CO2
Raining



Project:



Institution:



NCTU Architecture
國立交通大學建築研究所

Team Name: NCTU/UNICODE
Address: 1001 Ta-Hsueh Road
Hsinchu City 30010
Taiwan
Contact: www.sde.tw



Consultants:



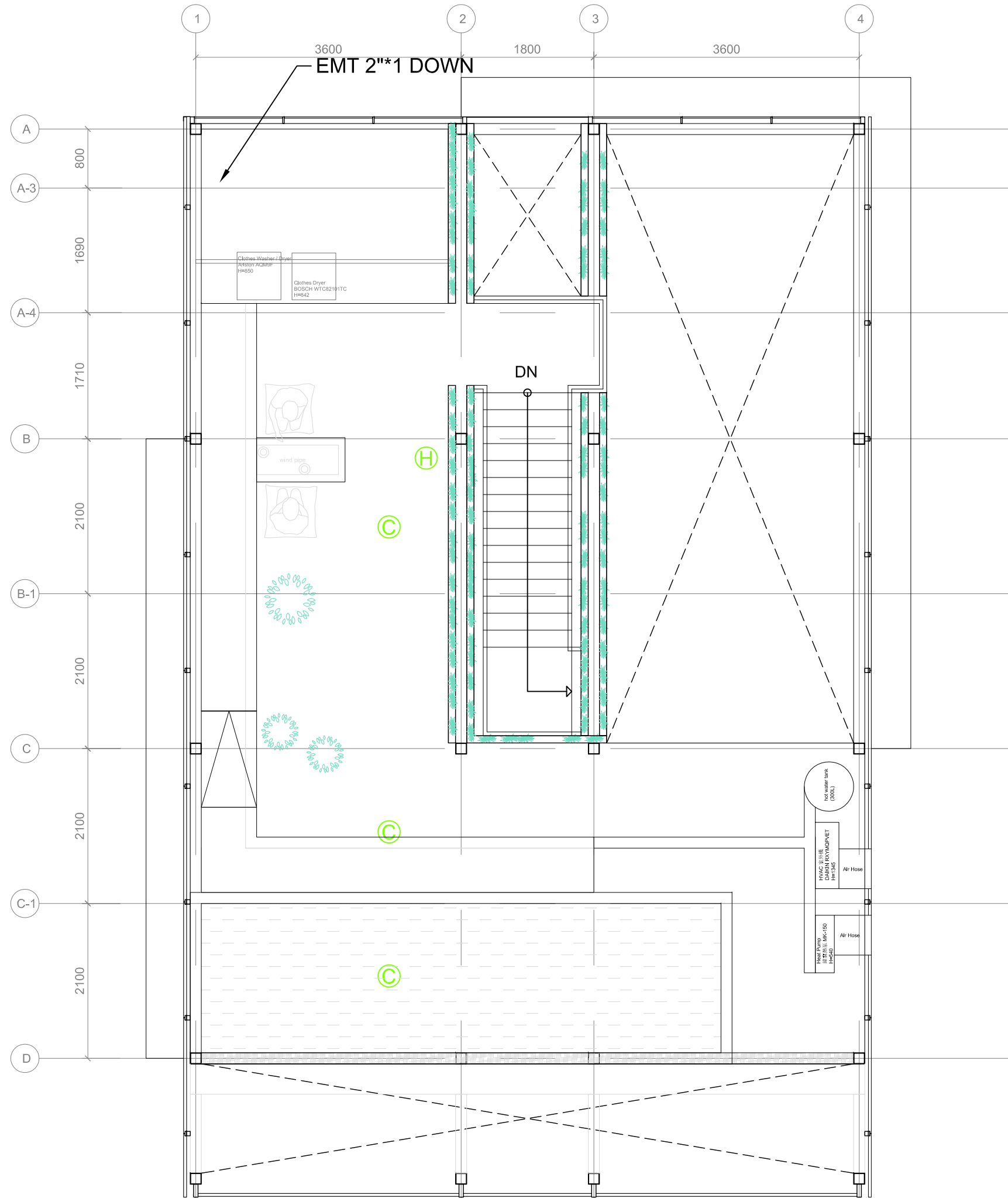
Note:

Mark	Date	Description
DN	2013/04/01	SD Submission
DN	2013/07/01	DDc Submission
ST	2013/11/01	DD Submission

Drawn by	Aaron Chen
Checked by	Steven Yu
Scale	1:60
Unit	mm

DWG. Title
**WIRING PLAN
GROUND LEVEL**

DWG. No.
BAS-001



- (A)** Temperature & Humidity
Light Level Sensor
Lighting
Motion Detector
Sound Sensor
- (B)** Temperature & Humidity
Light Level Sensor
Lighting
Motion Detector
- (C)** Temperature & Humidity
- (D)** Smoke Detector
- (E)** Air Quality-CO2
- (F)** Air Quality-VOC
- (G)** Soil Moisture Sensor
- (H)** Smart Weather Station (Roof)
Temperature & Humidity
Wind Speed
Air Quality-CO2
Raining



Project:



Institution:



NCTU Architecture
國立交通大學建築研究所

Team Name: NCTU/UNICODE
Address: 1001 Ta-Hsueh Road
Hsinchu City 30010
Taiwan
Contact: www.sde.tw



Consultants:



Note:

Mark	Date	Description
DN	2013/04/01	SD Submission
DN	2013/07/01	DDc Submission
ST	2013/11/01	DD Submission

Drawn by	Aaron Chen
Checked by	Steven Yu
Scale	1:60
Unit	mm

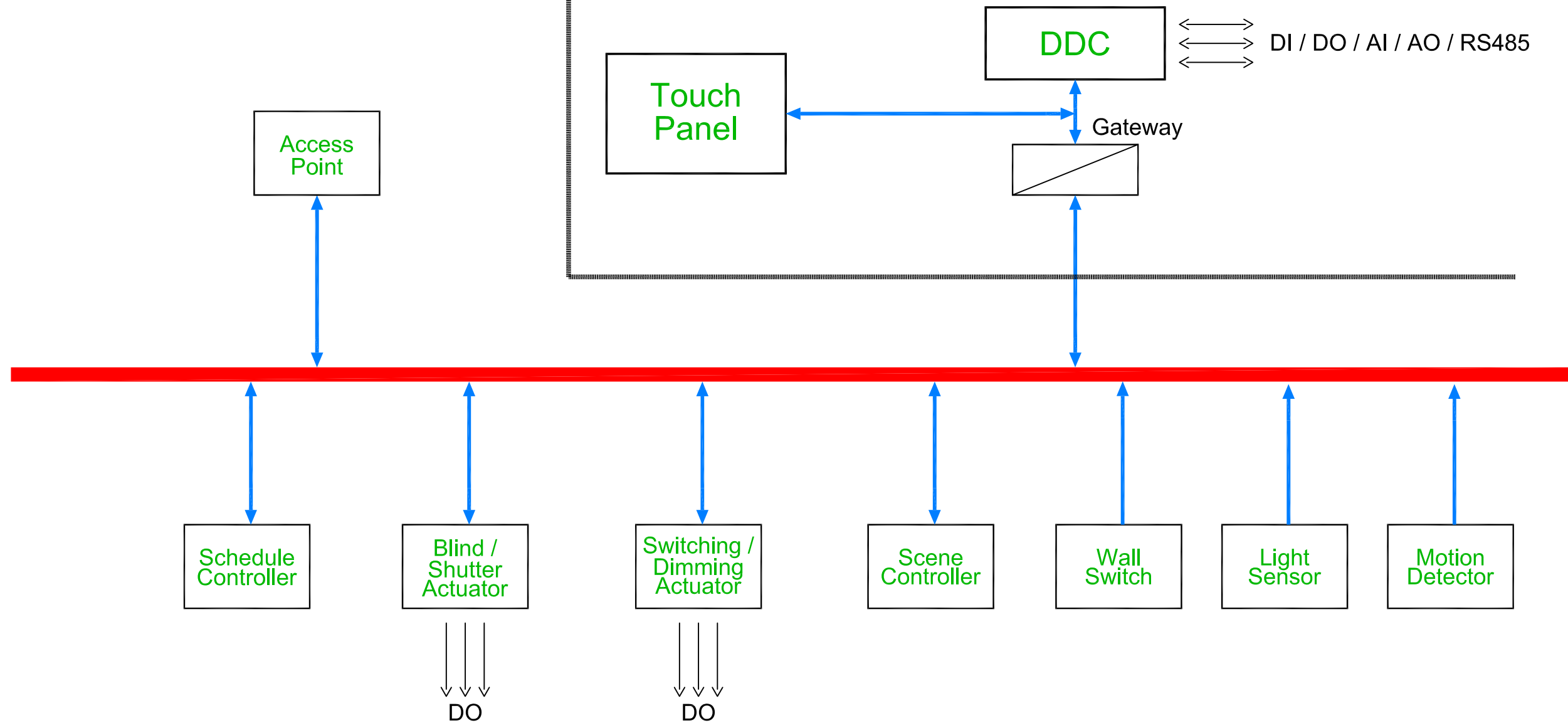
DWG. Title	WIRING PLAN MEZZANINE LEVEL
DWG. No.	BAS-002



Mark	Date	Description
DN	2013/04/01	SD Submission
DN	2013/07/01	DDc Submission
ST	2013/11/01	DD Submission

Home Automation System

DDC System





Mark	Date	Description
DN	2013/04/01	SD Submission
DN	2013/07/01	DDc Submission
ST	2013/11/01	DD Submission

Drawn by Aaron Chen

Checked by Steven Yu

Scale -

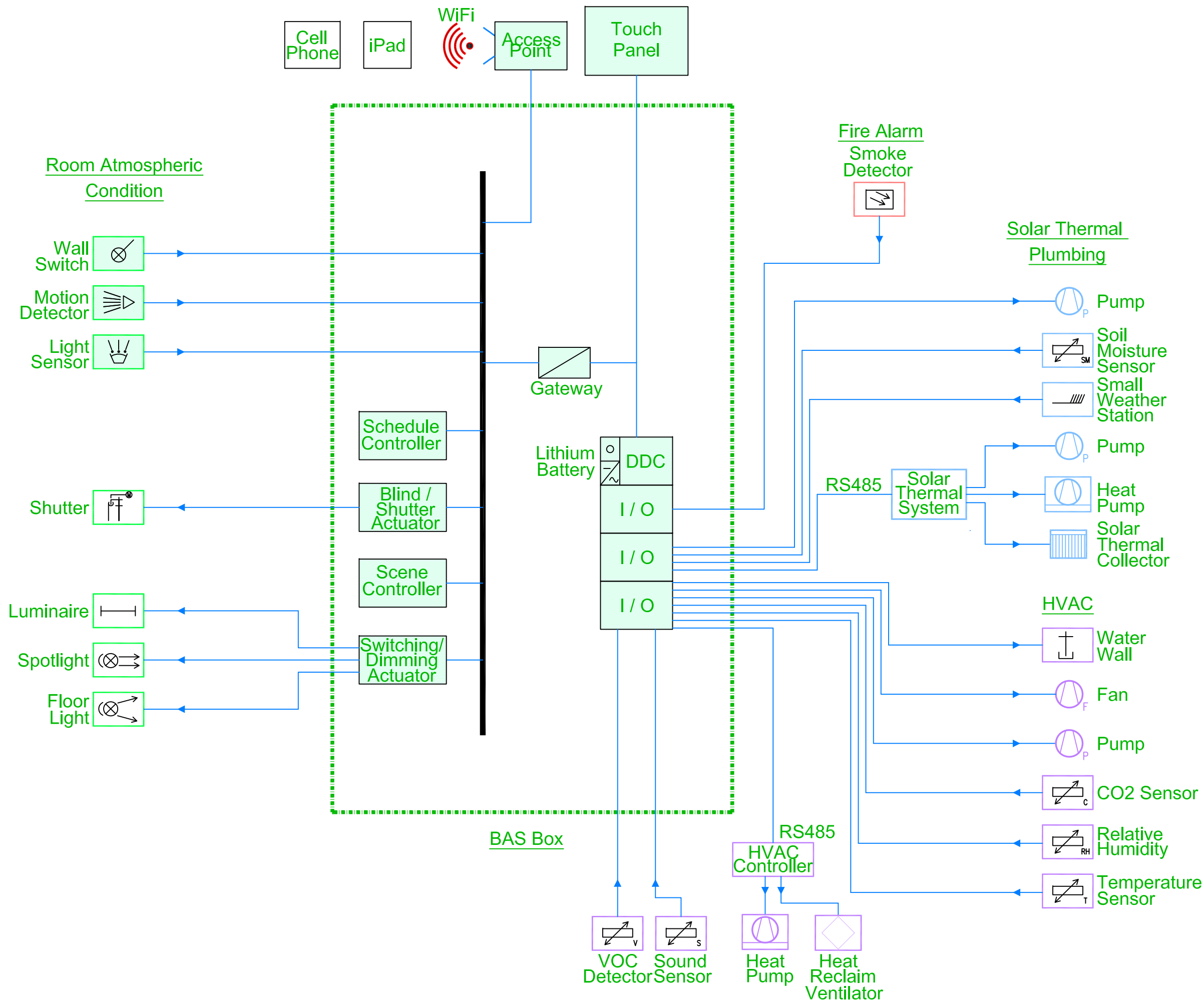
Unit -

DWG. Title

SCHEMATIC DIAGRAM

DWG. No.

BAS-102





Project:



Institution:



NCTU Architecture
國立交通大學建築研究所

Team Name: NCTU/UNICODE
Address: 1001 Ta-Hsueh Road
Hsinchu City 30010
Taiwan
Contact: www.sde.tw



Consultants:



Note:

Mark	Date	Description
DN	2013/04/01	SD Submission
DN	2013/07/01	DDc Submission
ST	2013/11/01	DD Submission

Drawn by AC
 Checked by SY
 Scale -
 Unit -

DWG. Title
EQUIPMENT
 DWG. No.
BAS-201

Legend / Brand / Model		
Item	Specification	Brand/Model
Temperature & Humidity	STR610 & SHD101-T6	Schneider Electric
Air Quality (CO2)	SCR100	Schneider Electric
Air Quality (VOC)	IAQ Point 8	Macro Technology
Smoke Detector	ARGUS MTN548561	Schneider Electric
PIR	ARGUS 360	Schneider Electric
Sound Sensor	Sound Sensor	Seeed Studio
Soil Moisture Sensor	JSH-100	Jetec Electric
Smart Weather Station	JMK-01	Jetec Electric
Blind/Shutter Actuator	KNX shutter actuator	Schneider Electric
Switch Actuator	KNX switch actuator	Schneider Electric
Dimming Actuator	KNX Dim actuator	Schneider Electric
DI/AI Module	TSX-07-20	Schneider Electric
Schedule Controller	KNX Logic module	Schneider Electric
Access Point	EA-N66	ASUS
Touch Panel	KNX Touch panel 10	Schneider Electric
Wall Switch	KNX Unica	Schneider Electric
Motion Detector	KNX Unica MGU3.533.12	Schneider Electric
Light Level Sensor	SLR320	Schneider Electric

Project:



Institution:



NCTU Architecture
國立交通大學建築研究所

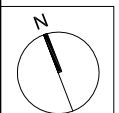
Team Name: NCTU/UNICODE
Address: 1001 Ta-Hsueh Road
Hsinchu City 30010
Taiwan
Contact: www.sde.tw



Consultants:



Note:



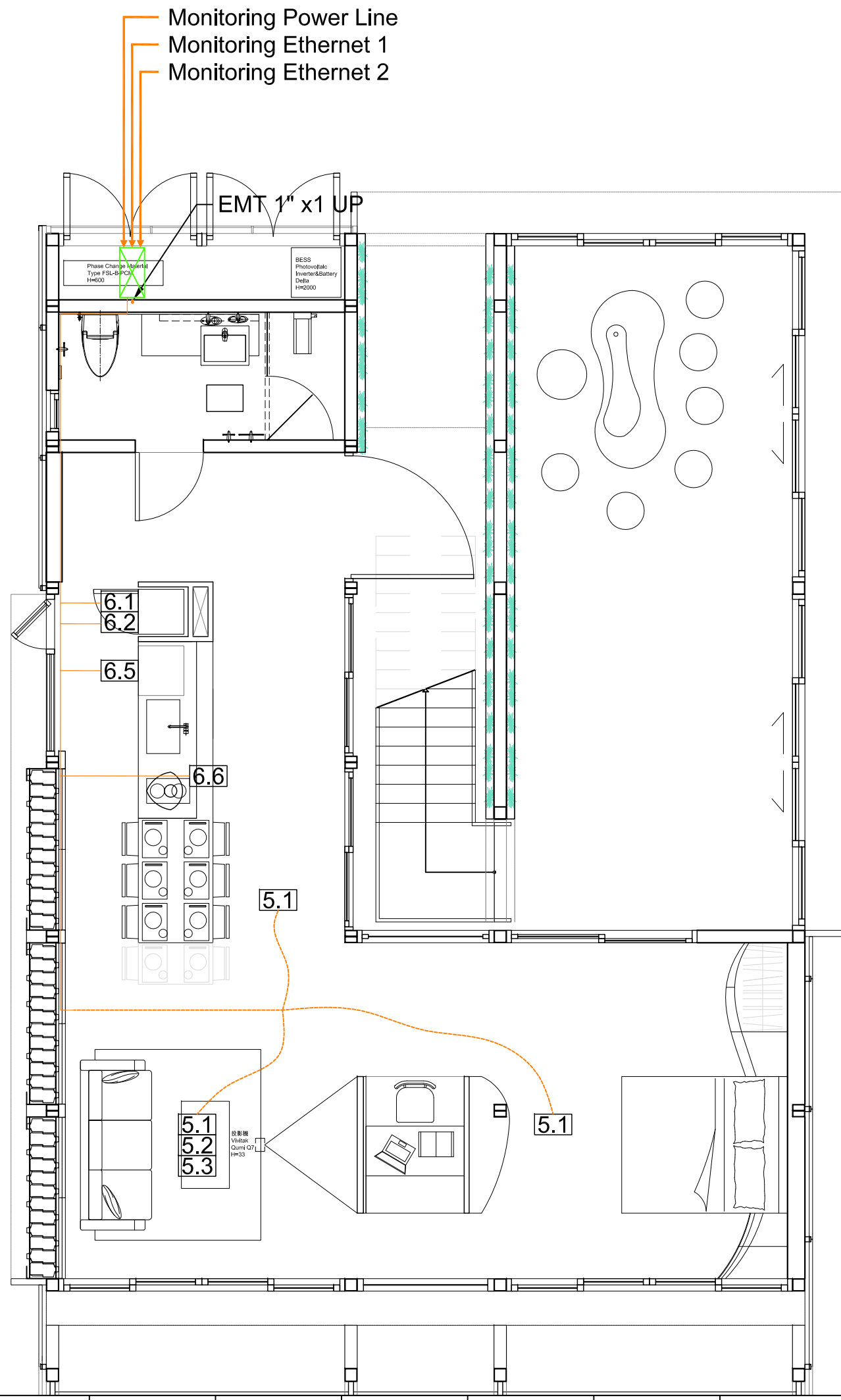
Mark	Date	Description
DN	2013/04/01	SD Submission
DN	2013/07/01	DDc Submission
ST	2013/11/01	DD Submission

Drawn by: Aaron Chen
Checked by: Steven Yu
Scale: 1:60
Unit: mm

DWG. Title
**GENERAL MONITORING
GROUND LEVEL**

DWG. No.

ID-001



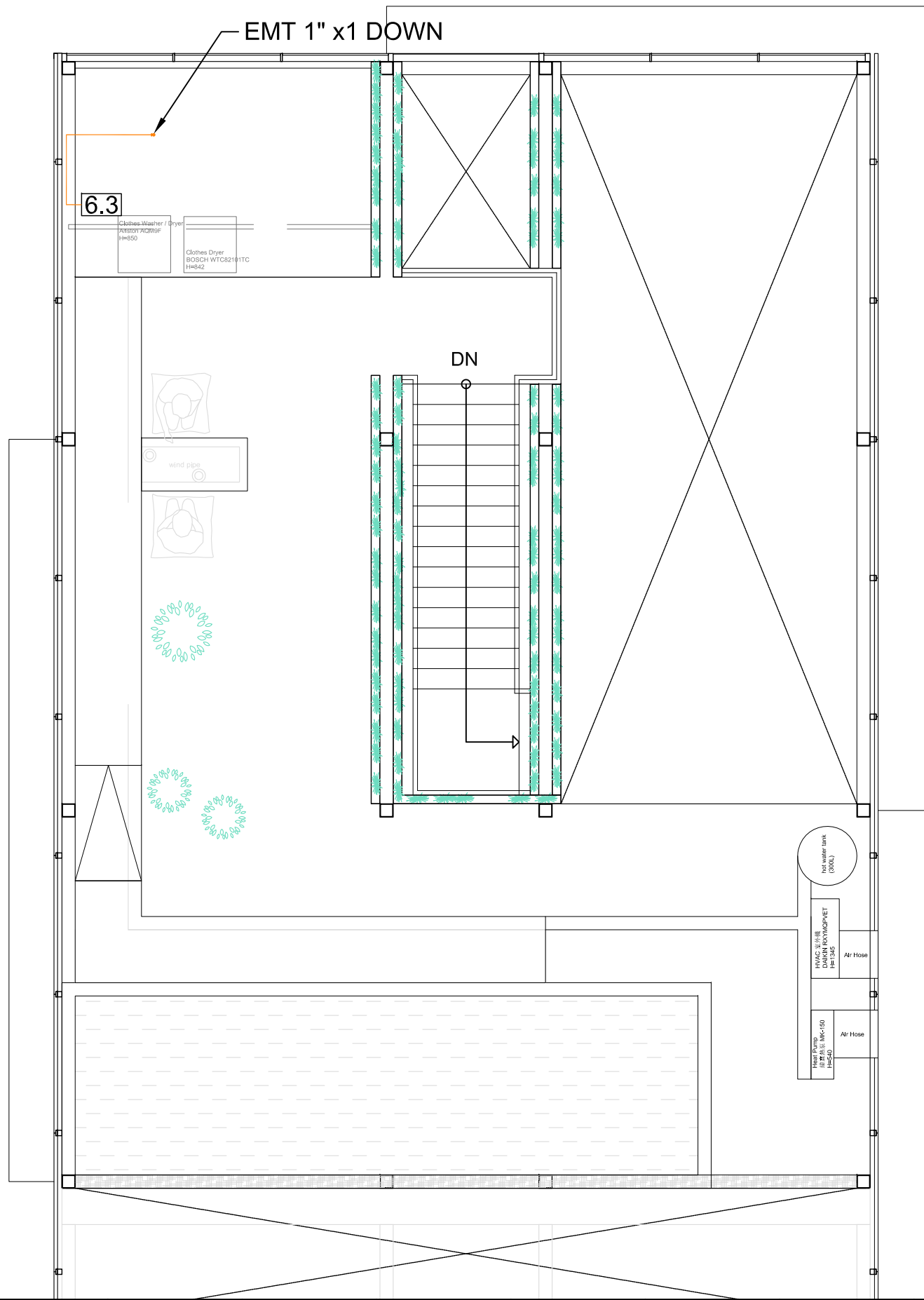
Task/Monitoring

- 5.1 Temperature Sensor. Living Room (L=21m)
- 5.1 Temperature Sensor. Bedroom (L=28m)
- 5.1 Temperature Sensor. Kitchen (L=16m)
- 5.2 Humidity Sensor. Living (L=21m)
- 5.3 Air Quality Sensor. Living (L=21m)
- 6.1 Temperature Sensor. Refrigeration (L=11m)
- 6.2 Temperature Sensor. Freezing (L=11m)
- 6.5 Temperature Sensor. Dish Washer (L=12m)
- 6.6 Temperature Sensor. Oven (L=13m)

Monitoring panel

Temporal Tripod Location

- 5.1 Bedroom Tripod Line. = 11 Meters.
- 5.1 Kitchen Tripod Line. = 7 Meters.
- 5.1 5.2 5.3 Living Room Tripod Line. = 8 Meters.



Task/Monitoring
6.3 Temperature Sensor.
 Clothes Washer / Dryer (L=11m)

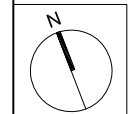


NCTU Architecture
 國立交通大學建築研究所

Team Name: NCTU/UNICODE
 Address: 1001 Ta-Hsueh Road
 Hsinchu City 30010
 Taiwan
 Contact: www.sde.tw



Note:



Mark	Date	Description
DN	2013/04/01	SD Submission
DN	2013/07/01	DDc Submission
ST	2013/11/01	DD Submission

Drawn by: Aaron Chen
 Checked by: Steven Yu
 Scale: 1:60
 Unit: mm

DWG. Title
**GENERAL MONITORING
 Mezzanine Level**

DWG. No.
ID-002

Project:



Institution:



NCTU Architecture
國立交通大學建築研究所

Team Name:

NCTU/UNICODE

Address:

1001 Ta-Hsueh Road
Hsinchu City 30010
Taiwan

Contact:

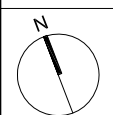
www.sde.tw



Consultants:



Note:



Mark	Date	Description
DN	2013/04/01	SD Submission
DN	2013/07/01	DDc Submission
ST	2013/11/01	DD Submission

Drawn by AC

Checked by SY

Scale -

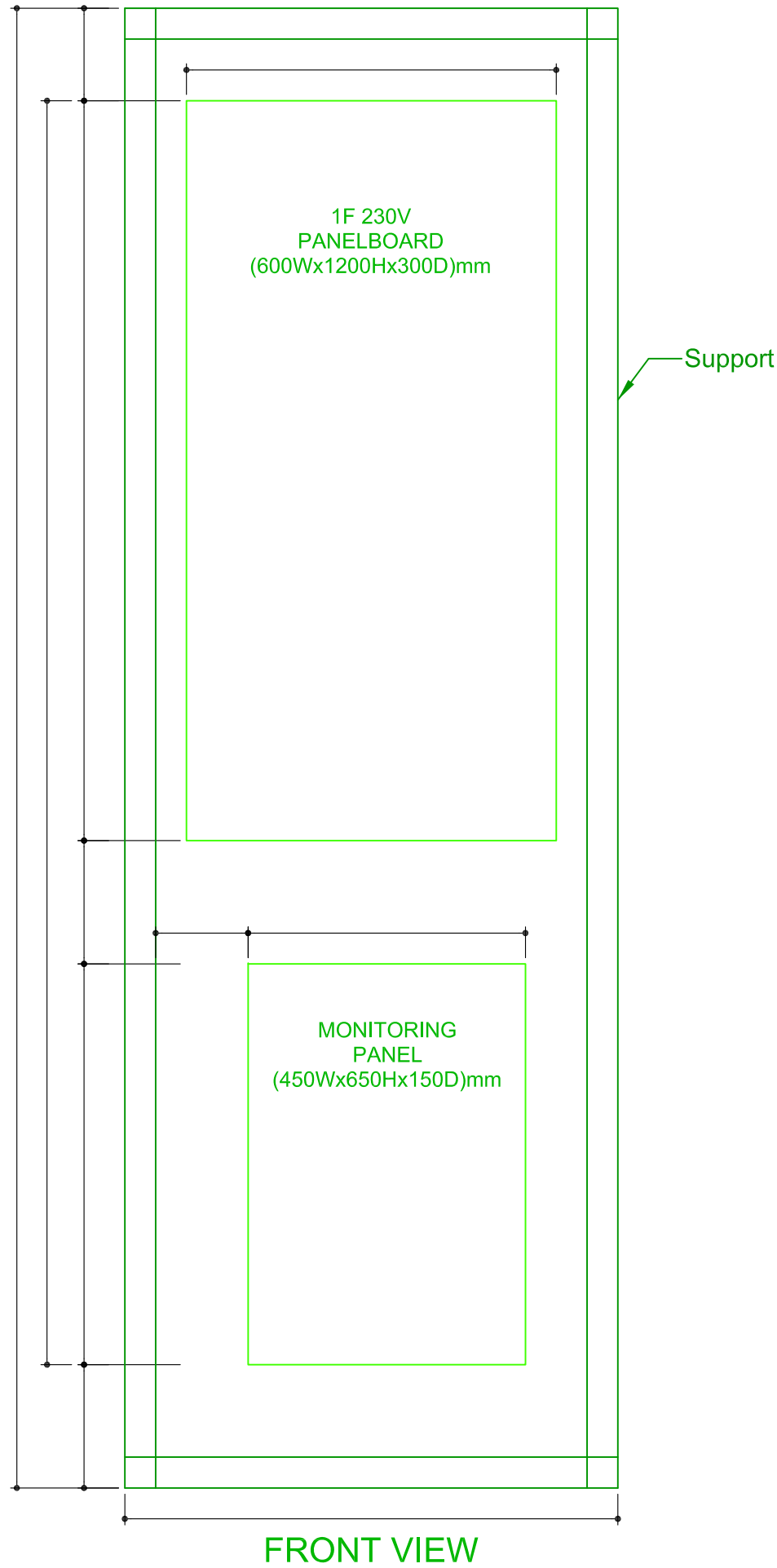
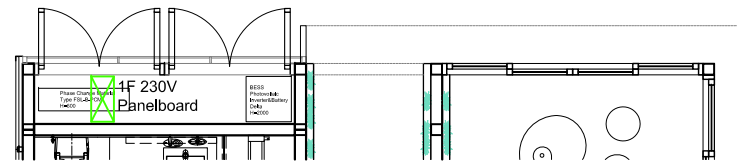
Unit

DWG. Title

MONITORING PANEL ROOM

DWG. No.

ID-011



Monitoring Panel
Dimensions : 65x45x15 cm

Free Space Left For The
Monitoring Panel "
100x60x25 cm

- 5.1 Living Room
- 5.2 Living Room
- 5.3 Living Room
- 5.1 Bed Room
- 5.1 Kitchen Room
- 6.1
- 6.2
- 6.3
- 6.5
- 6.6

Sensor Entrance



Monitoring Power Line
Monitoring Ethernet 1
Monitoring Ethernet 2



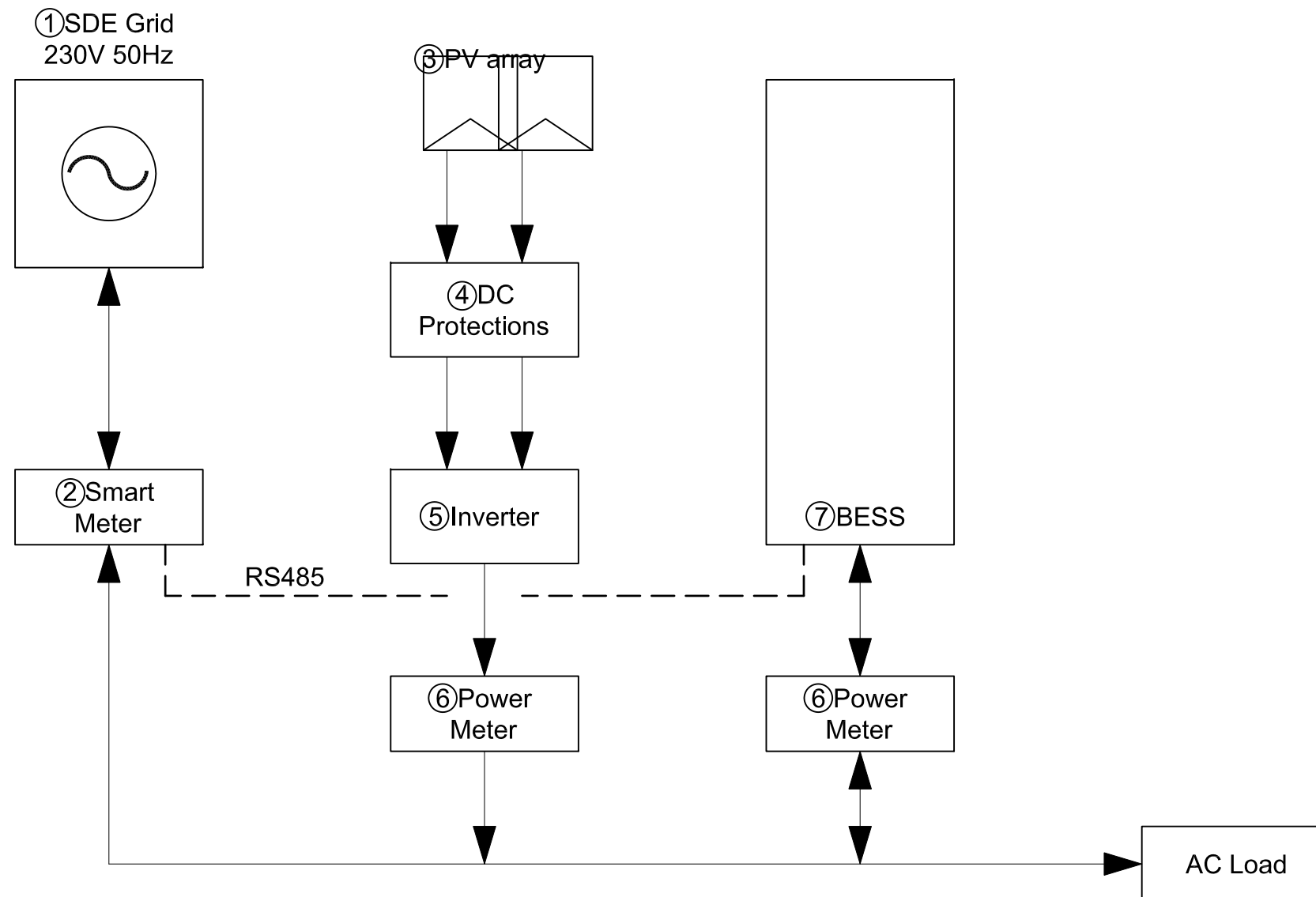
Mark	Date	Description
DN	2013/04/01	SD Submission
DN	2013/07/01	DDc Submission
ST	2013/11/01	DD Submission

Drawn by	GK
Checked by	DN
Scale	-
Unit	-

DWG. Title
ELECTRICITY METERS TOPOLOGY

DWG. No.
ID-021

Tag	Components	Manufacturer	Model	Q'ty	Notes
①	SDE Grid			1	Organizer Supplied Meter
②	Smart Meter	Schneider	PM3200	1	
③	PV array	DeSolar	D6P250B3A	24	
④	DC Protections	HI BOX		1	
⑤	Inverter	Delta	Solivia 5.0	1	
⑥	Power Meter	Schneider	PM3200	2	
⑦	BESS	Delta		1	Battery Energy Storage System





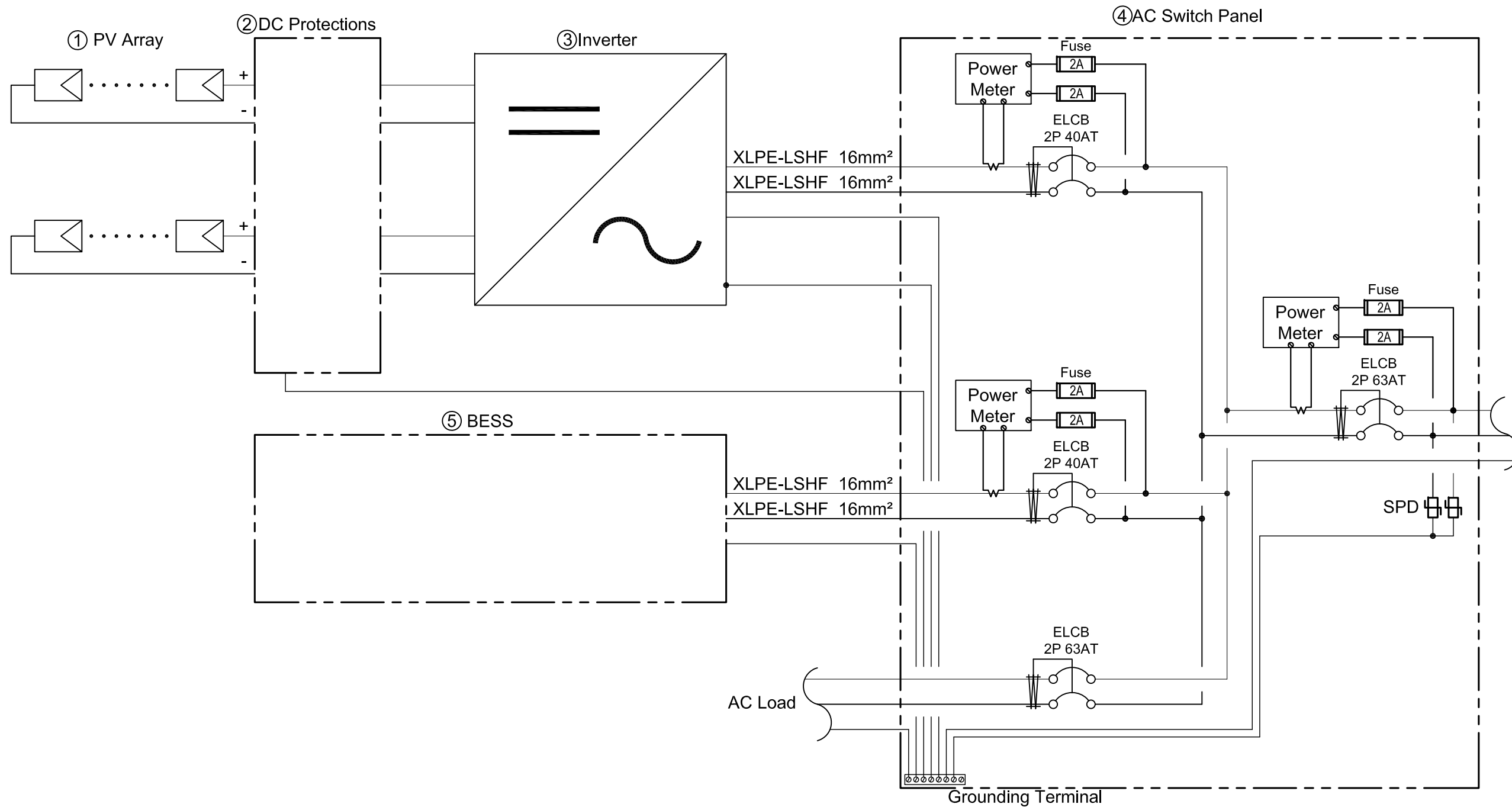
Mark	Date	Description
DN	2013/04/01	SD Submission
DN	2013/07/01	DDc Submission
ST	2013/11/01	DD Submission

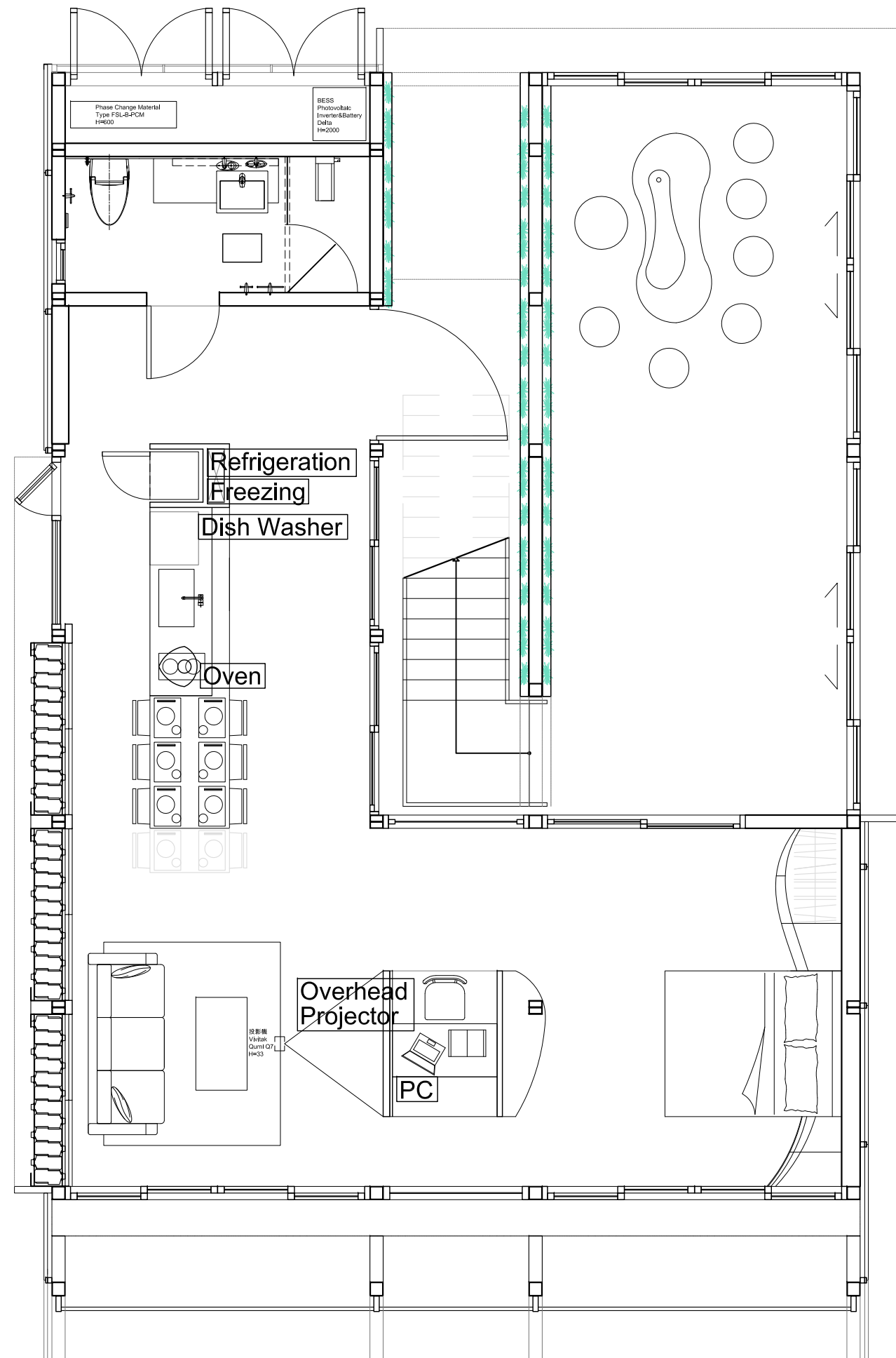
Drawn by	GK
Checked by	DN
Scale	-
Unit	-

DWG. Title
ELECTRICITY METERS CONNECTION

DWG. No.
ID-031

Tag	Components	Manufacturer	Model	Q'ty	Notes
①	PV Module	DeSolar	D6P250B3A	24	
②	DC Protections	HI BOX		1	
③	Inverter	Delta	Solivia 5.0	1	
④	Box	HI BOX		1	
	Power Meter	Schneider	PM3200	3	
	ELCB	Shihlin		4	
	Surge Protection Device	Shihlin		2	
⑤	BESS	Delta		1	Battery Energy Storage System





Legend / Brand / Model		
Refrigeration	Electrolux	ENN2843AOW
Dish Washer	Electrolux	ESL 6810Ro
Oven	Ariston	FH52
Overhead Projector	Vivitak	Qumi Q7
PC	-	-



Project:



Institution:



NCTU Architecture
國立交通大學建築研究所

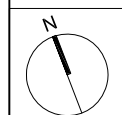
Team Name: NCTU/UNICODE
Address: 1001 Ta-Hsueh Road
Hsinchu City 30010
Taiwan
Contact: www.sde.tw



Consultants:



Note:

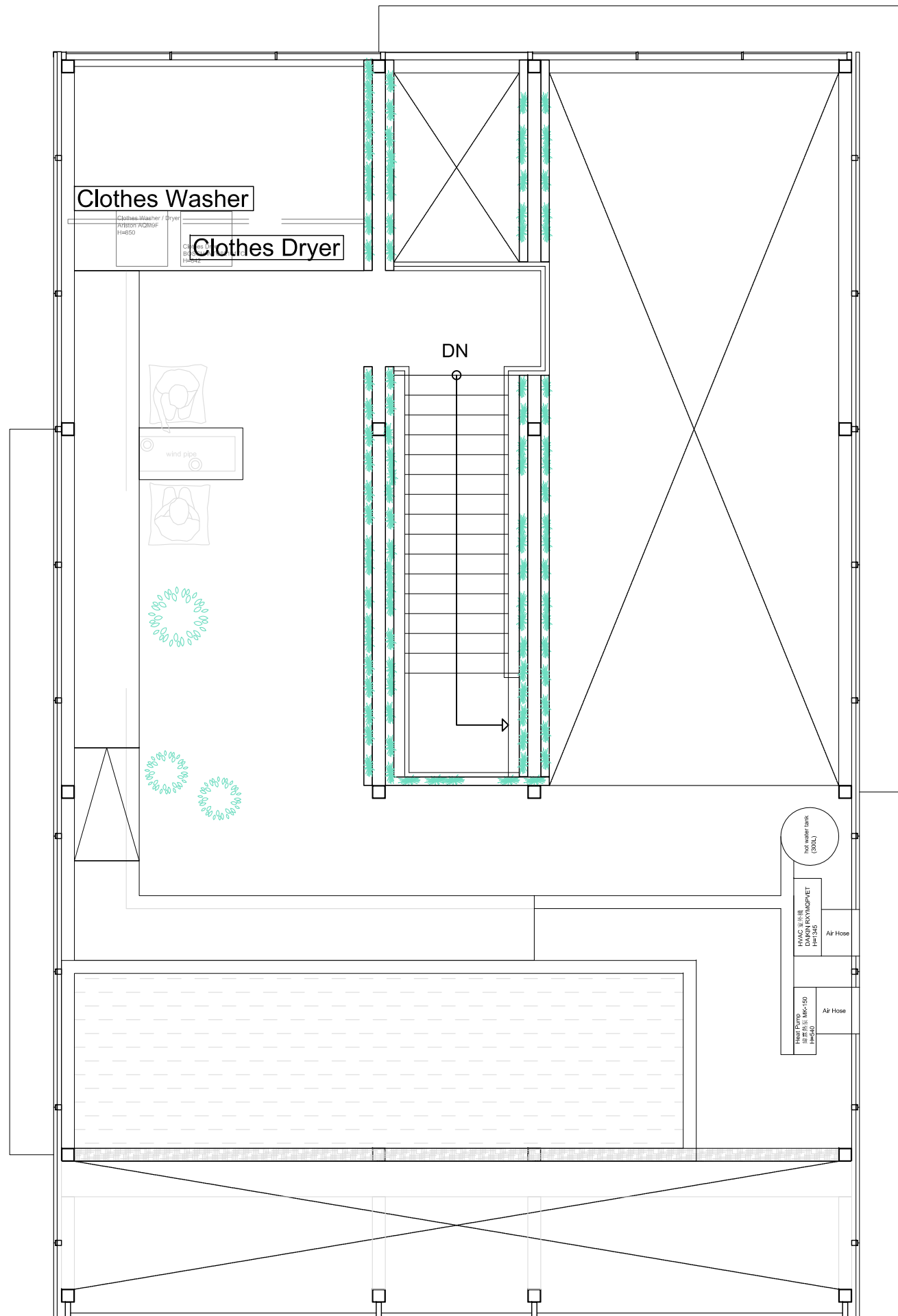


Mark	Date	Description
DN	2013/04/01	SD Submission
DN	2013/07/01	DDc Submission
ST	2013/11/01	DD Submission

Drawn by	AC
Checked by	SY
Scale	-
Unit	-

DWG. Title
**HOUSE APPLIANCES
GROUND LEVEL**

DWG. No.
ID-041



Legend / Brand / Model		
Clothes Washer	Ariston	AQM9F
Clothes Dryer	BOSCH	WTC82101TC



Project:



Institution:



NCTU Architecture
國立交通大學建築研究所

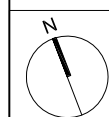
Team Name: NCTU/UNICODE
 Address: 1001 Ta-Hsueh Road
 Hsinchu City 30010
 Taiwan
 Contact: www.sde.tw



Consultants:



Note:



Mark	Date	Description
DN	2013/04/01	SD Submission
DN	2013/07/01	DDc Submission
ST	2013/11/01	DD Submission

Drawn by	AC
Checked by	SY
Scale	1:60
Unit	mm

DWG. Title
HOUSE APPLIANCES
MEZZANINE LEVEL

DWG. No.

ID-042

Project:



Institution:



NCTU Architecture
國立交通大學建築研究所

Team Name: NCTU/UNICODE
Address: 1001 Ta-Hsueh Road
Hsinchu City 30010
Taiwan
Contact: www.sde.tw



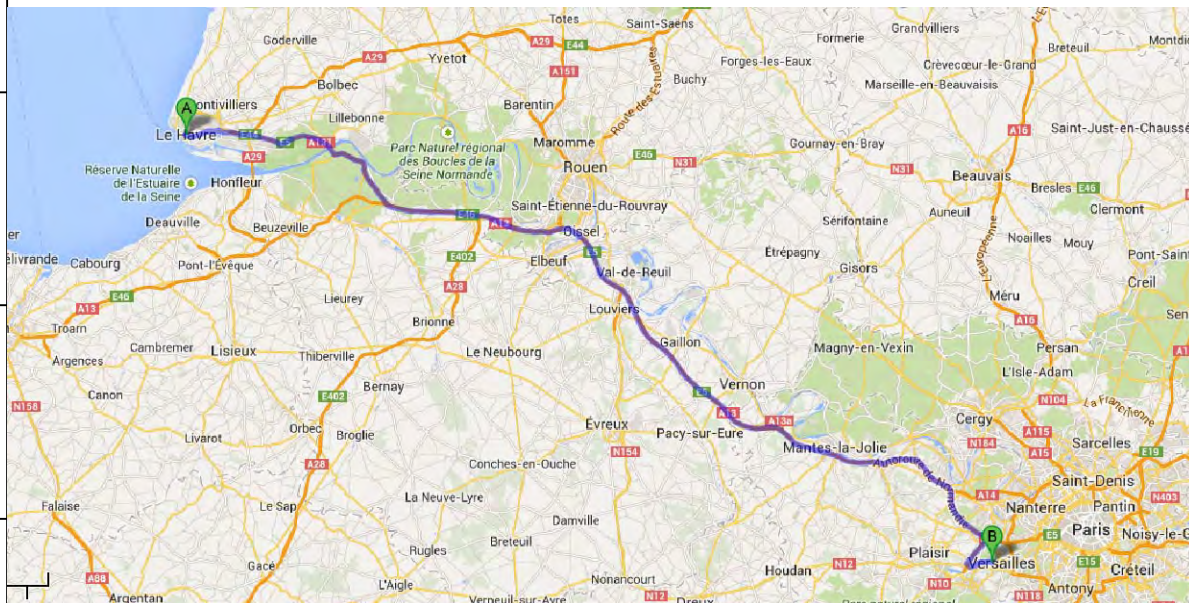
Consultants:

Note:

Mark	Date	Description
DN	2013/04/01	SD Submission
DN	2013/07/01	DDc Submission
ST	2013/11/01	DD Submission

Drawn by	MS
Checked by	DN
Scale	-
Unit	-

DWG. Title	TRUCKS SHIPMENT 1
DWG. No.	SO-001



Shipping, Freight, Demand, Process Timetable				
Date	Local	Project target	Demand Help	Self assist
Calculated time	Taiwan	Apply to customs	Declaration process guidance	Customs detail, customs declaration
Calculated time	Taiwan	Component packaging and protection	Packaging and protective materials to provide advice	Packaging and Protection
Calculated time	Taiwan	Component transport (Trailers Trucks *13)	Huashan→Container port	
Calculated time	Taiwan	Component Loading(Container*12)	Loading location and Equipment evaluation	Component classification and Equipment evaluation
Calculated time	Ship	Taiwan→France	Transport	The number of containers and the declaration content
Shipping Before 6/10	France	Immigration Customs	Declaration process guidance	Customs detail, the number of containers and the declaration
Before 6/10	France	Component Discharge (Container*12)(Trailers Trucks *13)	Component Discharge	Component Discharge
Before 6/10	France	Component transport (Trailers Trucks *13)	France transport (Trailers Trucks *13)	Trucks size
6/10~6/25 7/9~7/13	France	Pre Construction Temporary base (H-5M,400m ² Warehouse) Heavy equipment rental	Warehouse (Near Versailles) Lodging Near Warehouse Forklift ,Bridge Crane or small crane ,Scaffolding, air Compressors	Warehouse size
6/16~6/25	France	Transport sequence	Transport	Transport sequence in 10 Days
7/15~7/22	France	Disassembly Warehouse (H-5M,400m ² Warehouse)	Forklift, Bridge crane or small crane ,Scaffolding, air Compressors	
7/19~7/22	France	Component packaging and protection	Packaging and protective materials to provide advice	Packaging and Protection

Project:



Institution:



NCTU Architecture
國立交通大學建築研究所

Team Name: NCTU/UNICODE
Address: 1001 Ta-Hsueh Road
Hsinchu City 30010
Taiwan
Contact: www.sde.tw



Consultants:

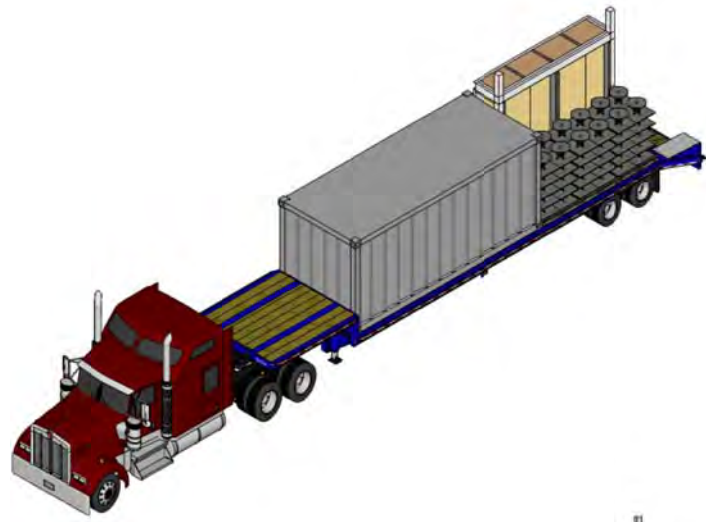
Note:

Mark	Date	Description
DN	2013/04/01	SD Submission
DN	2013/07/01	DDc Submission
ST	2013/11/01	DD Submission

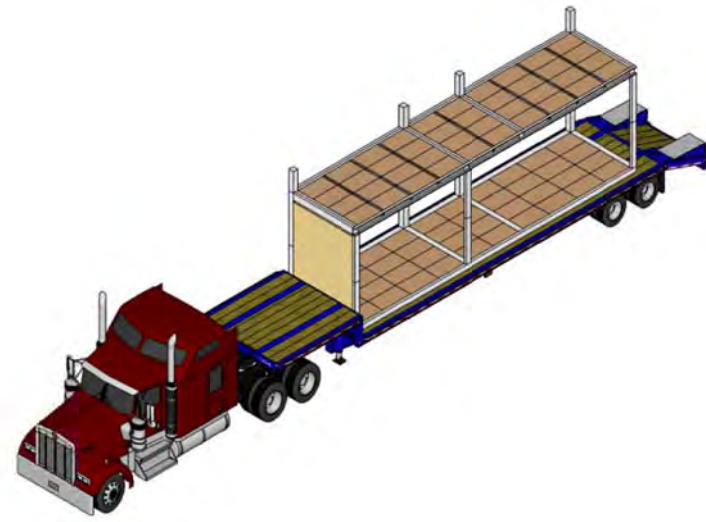
Drawn by	MS
Checked by	DN
Scale	-
Unit	-

DWG. Title
TRUCKS SHIPMENT 2

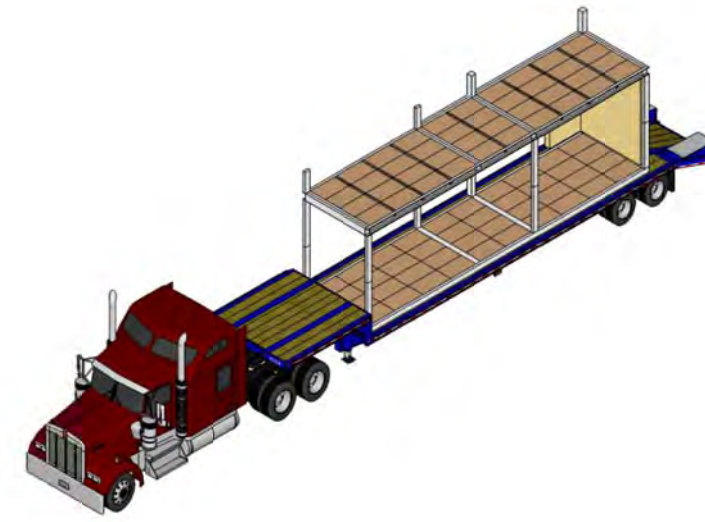
DWG. No.
SO-002



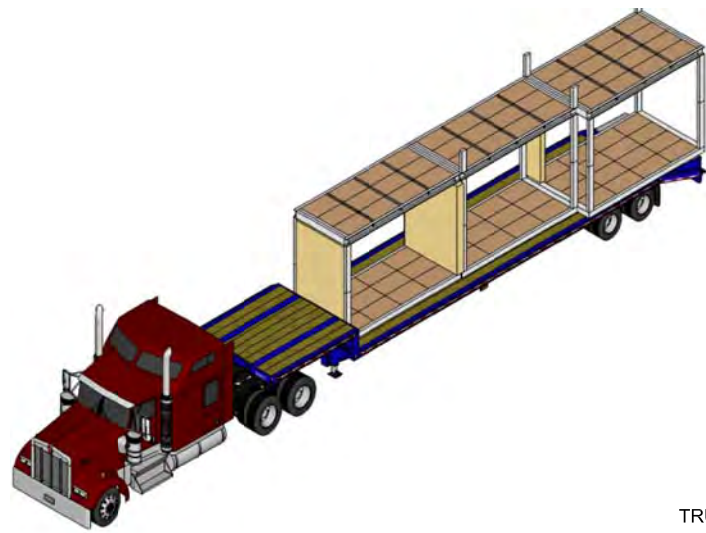
TRUCK-1 FLATBED
DAY 1 8:00



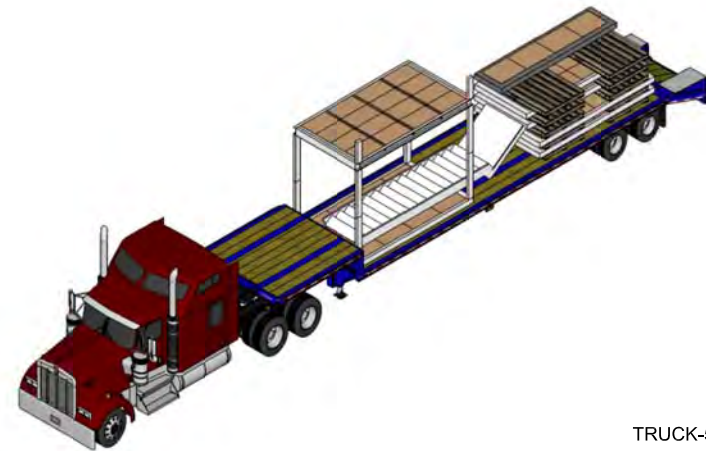
TRUCK-2 LOW LOADER
DAY 1 13:00



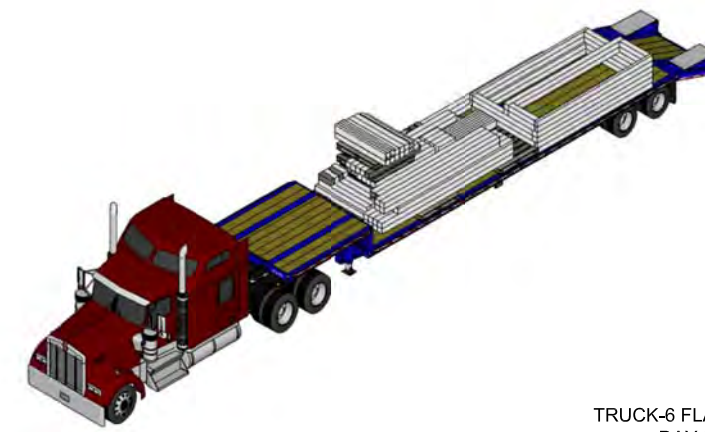
TRUCK-3 LOW LAODER
DAY 1 15:00



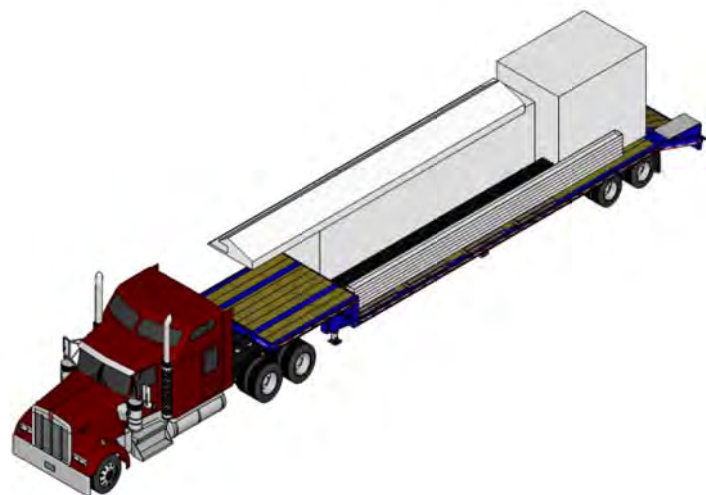
TRUCK-4 LOW LOADER
DAY 19:00



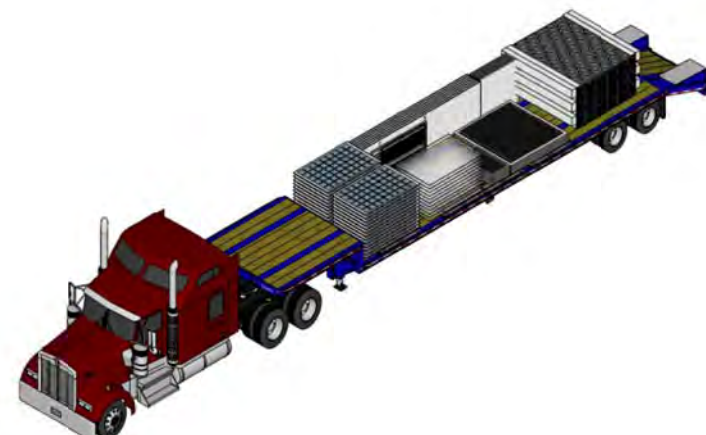
TRUCK-5 LOW LOADER
DAY 2 7:00



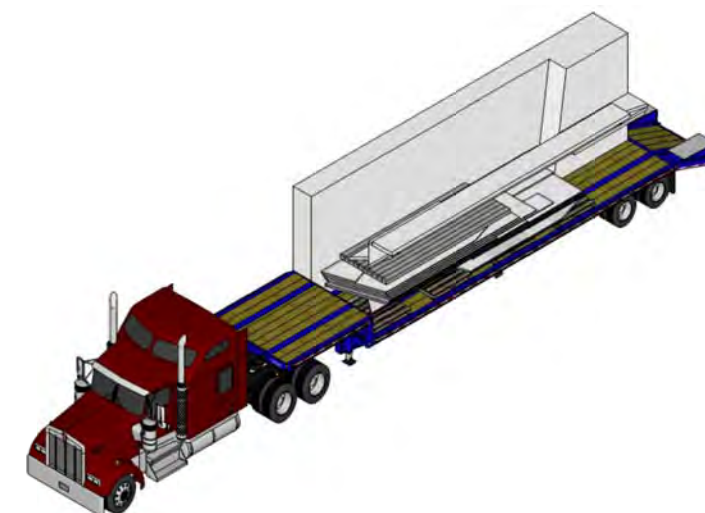
TRUCK-6 FLATBAD
DAY 2 16:00



TRUCK-7 FLATBED
DAY 2 19:00



TRUCK-8 FLATBED
DAY 3 7:00



TRUCK-9 FLATBED
DAY 4 7:00

Project:



Institution:



NCTU Architecture
國立交通大學建築研究所

Team Name: NCTU/UNICODE
Address: 1001 Ta-Hsueh Road
Hsinchu City 30010
Taiwan
Contact: www.sde.tw



Consultants:

Note:

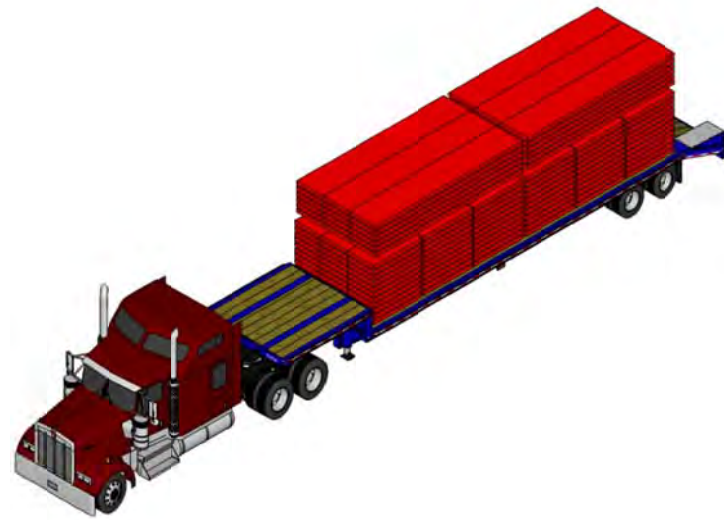
Mark	Date	Description
DN	2013/04/01	SD Submission
DN	2013/07/01	DDc Submission
ST	2013/11/01	DD Submission

Drawn by	MS
Checked by	DN
Scale	-
Unit	-

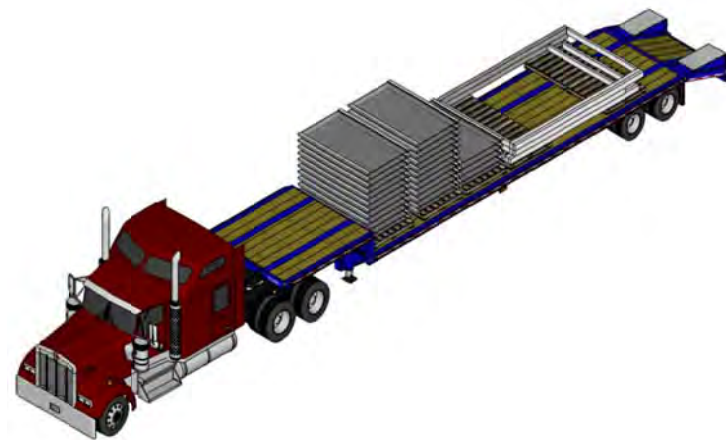
DWG. Title
TRUCKS SHIPMENT 3

DWG. No.
SO-003

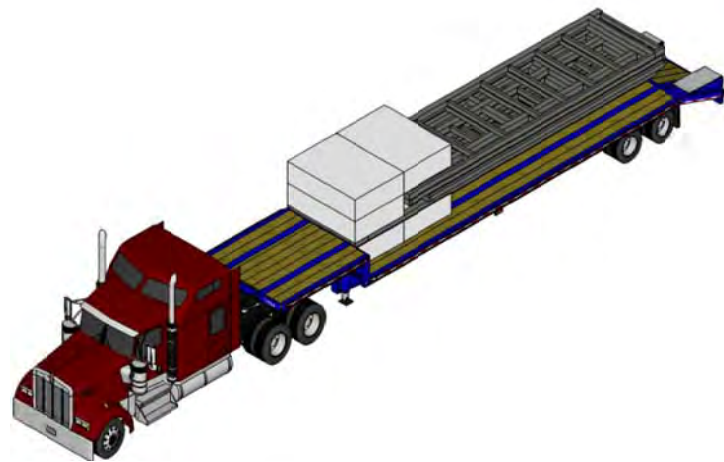
Trucks specifications and shipments										
Truck	Kind	Designation	QTY	Dimensions (mm)			Weight (kg)	Total Load Weight(kg)	Arrival	
				L	W	H				
1	flat	Tool Container	1	3029	2438	2591	-		1	
		Foundation	61				-			
		Construction Safety Box	1	3029	2438	2591	-			
		Unit-7	1	3750	875	3550	926			
2	Low	Unit-1	1	9150	2100	3550	5100		2	
3	Low	Unit-2	1	9150	2100	3550	5100		3	
4	Low	Unit-3	1	3600	2100	3550	4975		4	
		Unit-4	1	3750	2100	3550				
		Unit-5	1	3750	2100	3550				
		Unit-6	1	3750	2100	3550				
5	LOW	Unit-8	1	Unassembled		-		5		
		stair	1	-	-	-				
6	Flat	Main frame Structure	-	-	-	-		6		
7	Flat	wall	-	-	-	-		7		
8	Flat	First Floor	52	900	525	400	-		8	
	Flat	Second Floor	40	900	525	400	-			
9	Flat	Unit-Roof	9	9000	2100	150	2700		9	
10	Flat	Ceiling panels	-	-	-	-	-		10	
11	Flat	planter	-	-	-	-	-		11	
12	flat	Furniture	-	-	-	-	-		12	
13	flat	Machines and tools	Transport out							13
			1	6200	1600	150	723			
			1	6375	1600	150	729			
			1	8350	2000	150	988			
			1	7750	2100	150	926			
			1	7750	2100	150	926			
			1	7475	2100	150	909			
			1	6250	1600	150	723			
1	6250	1600	150	723						
1	6250	1600	150	723						



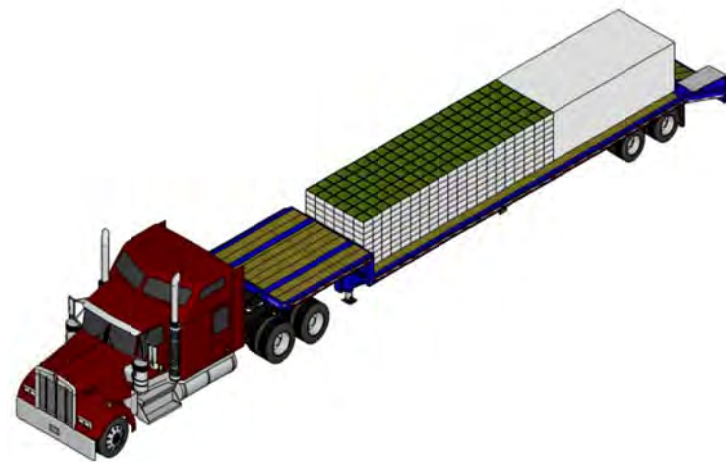
TRUCK-10 FLATBED
DAY 5 7:00



TRUCK-11 FLATBED
DAY 6 7:00



TRUCK-12 FLATBED
DAY 6 15:00



TRUCK-13 FLATBED
DAY 7 7:00



Project:



Institution:



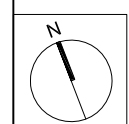
NCTU Architecture
國立交通大學建築研究所

Team Name: NCTU/UNICODE
Address: 1001 Ta-Hsueh Road
Hsinchu City 30010
Taiwan
Contact: www.sde.tw



Consultants:

Note:



Mark	Date	Description
DN	2013/04/01	SD Submission
DN	2013/07/01	DDc Submission
ST	2013/11/01	DD Submission

Drawn by: ST
Checked by: DN
Scale: 1:1000
Unit: mm

DWG. Title: SOLAR VILLAGE PLAN

DWG. No.: SO-101

Project:



Institution:



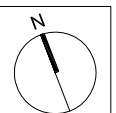
NCTU Architecture
國立交通大學建築研究所

Team Name: NCTU/UNICODE
Address: 1001 Ta-Hsueh Road
Hsinchu City 30010
Taiwan
Contact: www.sde.tw



Consultants:

Note:



Mark	Date	Description
DN	2013/04/01	SD Submission
DN	2013/07/01	DDc Submission
ST	2013/11/01	DD Submission

Drawn by: MS

Checked by: DN

Scale: 1:150

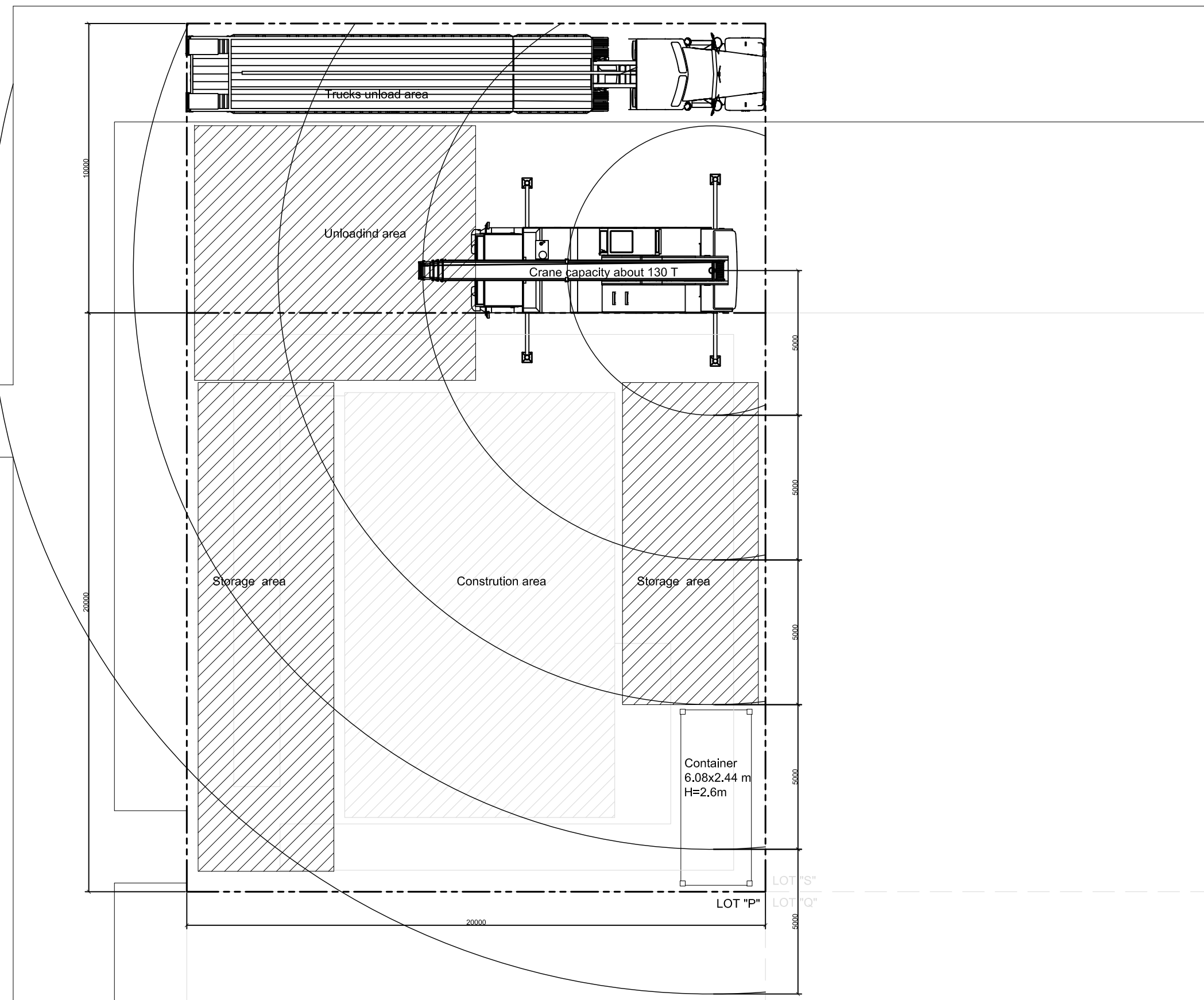
Unit: mm

DWG. Title:

LOT PLAN

DWG. No.:

SO-102



Project:



Institution:



NCTU Architecture
國立交通大學建築研究所

Team Name: NCTU/UNICODE

Address: 1001 Ta-Hsueh Road
Hsinchu City 30010
Taiwan

Contact: www.sde.tw



Consultants:

Note:

Mark	Date	Description
DN	2013/04/01	SD Submission
DN	2013/07/01	DDc Submission
ST	2013/11/01	DD Submission

Drawn by MS

Checked by DN

Scale -

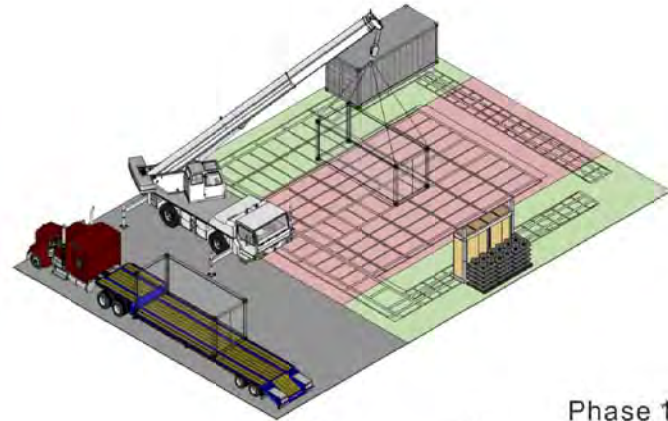
Unit -

DWG. Title

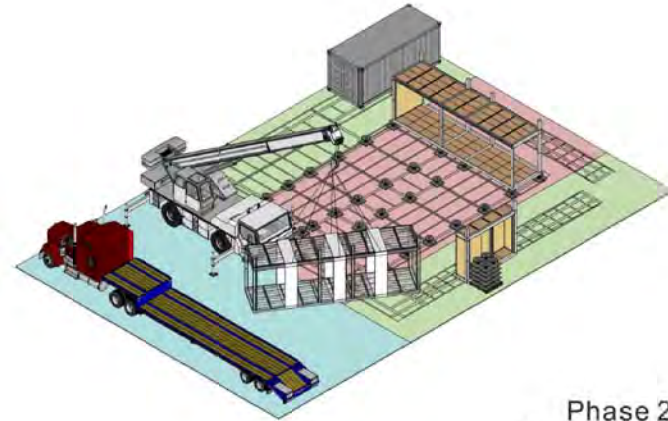
PHASES

DWG. No.

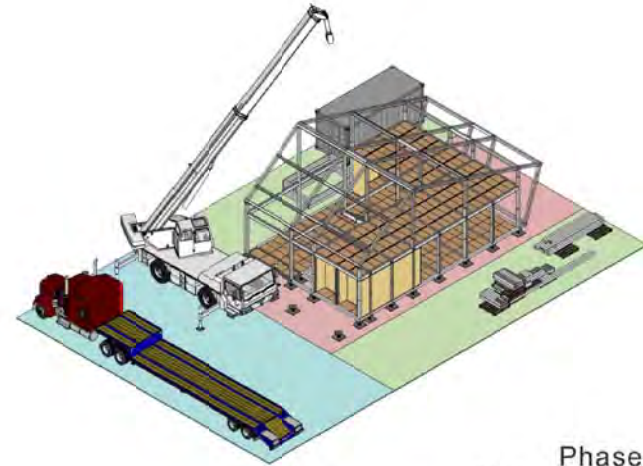
SO-201



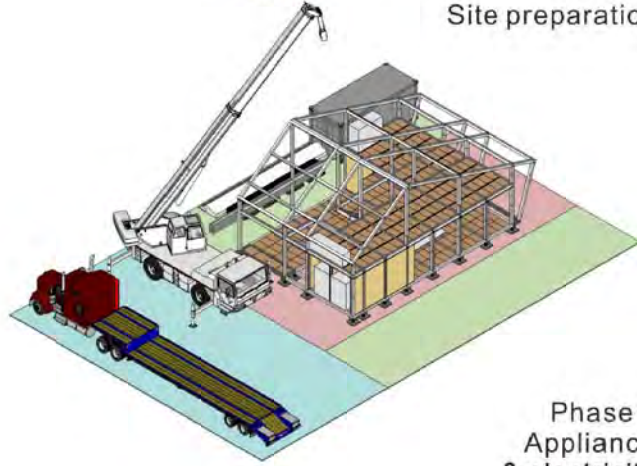
Phase 1
Site preparation



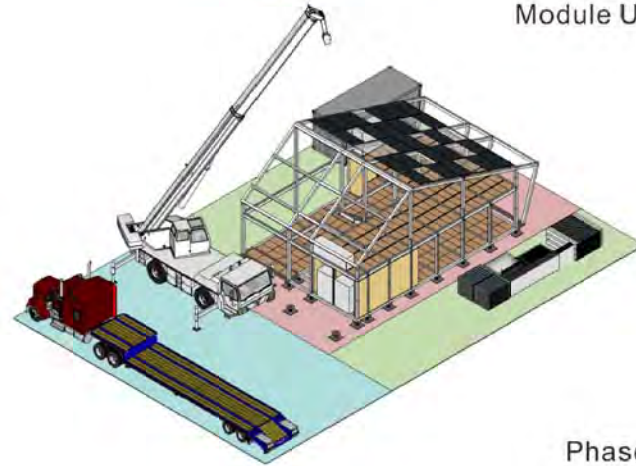
Phase 2
Module Unit



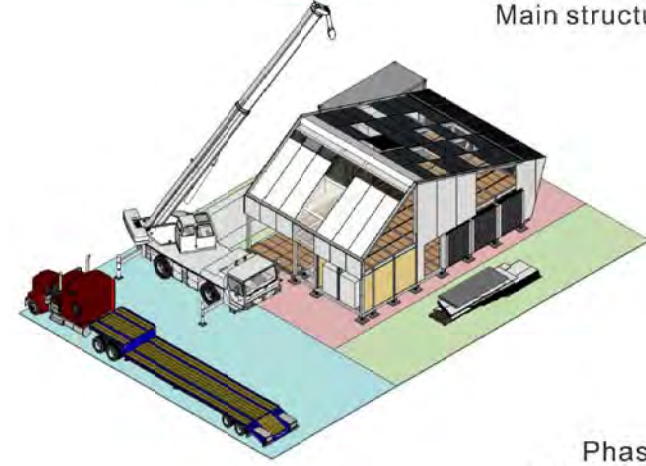
Phase 3
Main structure



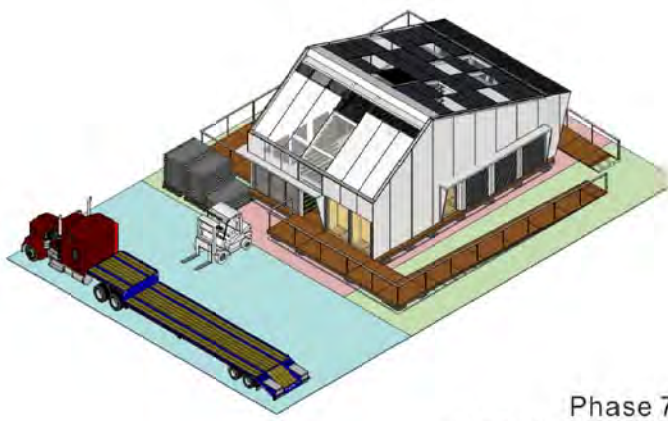
Phase 4
Appliance
& electricity



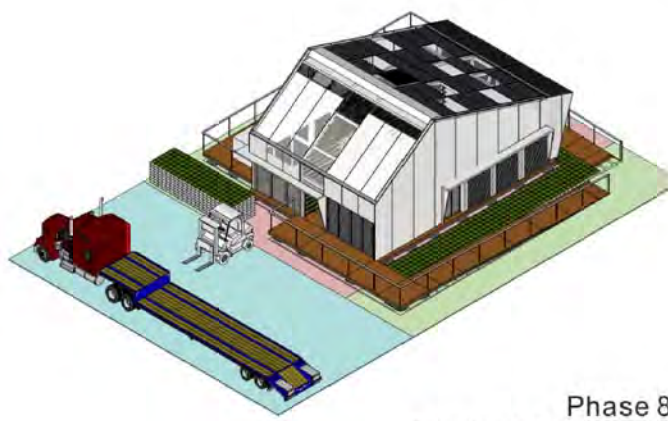
Phase 5
Roof



Phase 6
Exterior Wall



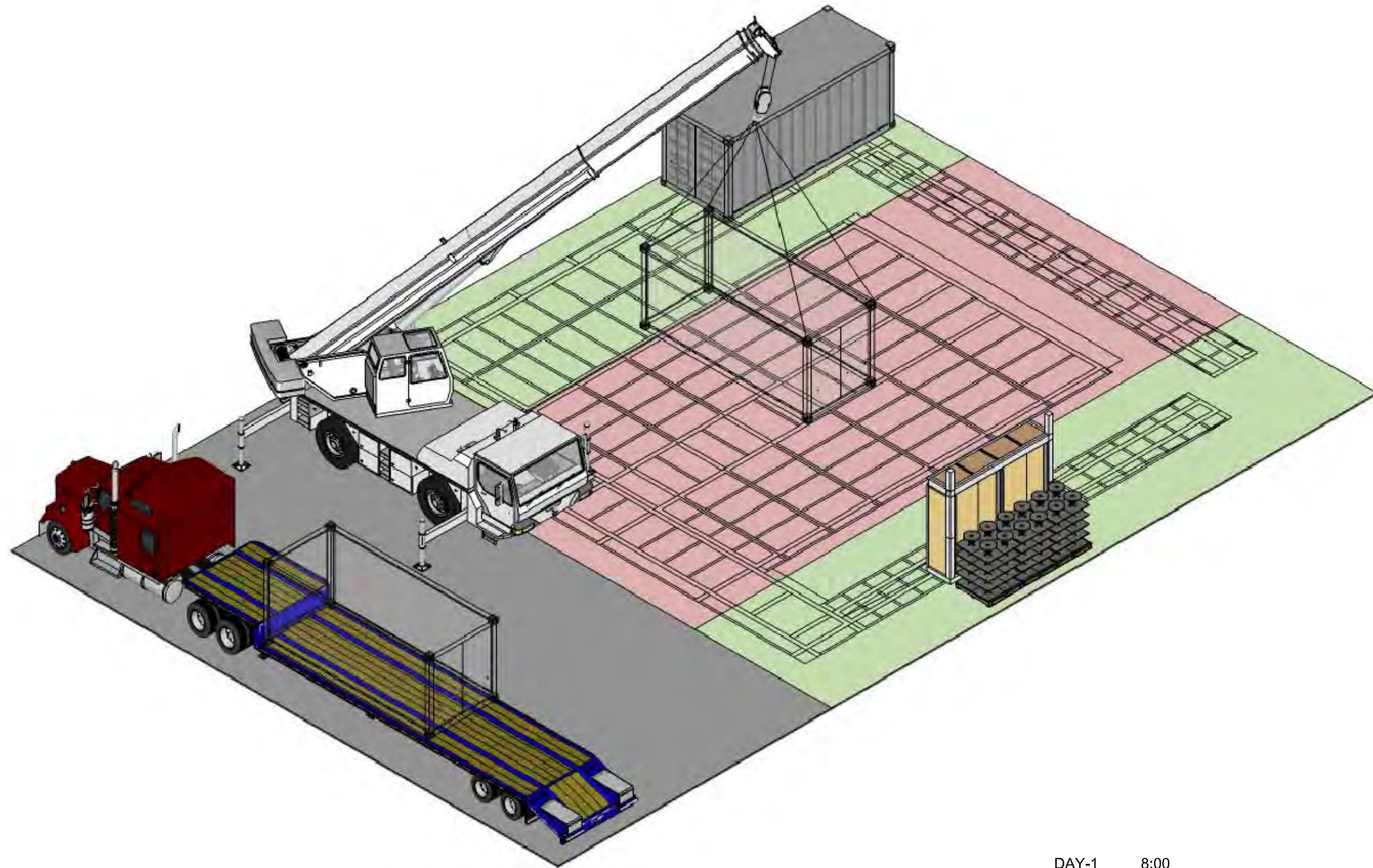
Phase 7
Floor & Windows



Phase 8
Furniture & Planting



Phase 9
Lot Clean & Test



DAY-1 8:00
 Site preparation
 Truck-1- Flat : Tool Container
 Foundation
 Construction Safety Box
 Unit-7



Project:



Institution:



NCTU Architecture
 國立交通大學建築研究所

Team Name: NCTU/UNICODE
 Address: 1001 Ta-Hsueh Road
 Hsinchu City 30010
 Taiwan
 Contact: www.sde.tw



Consultants:

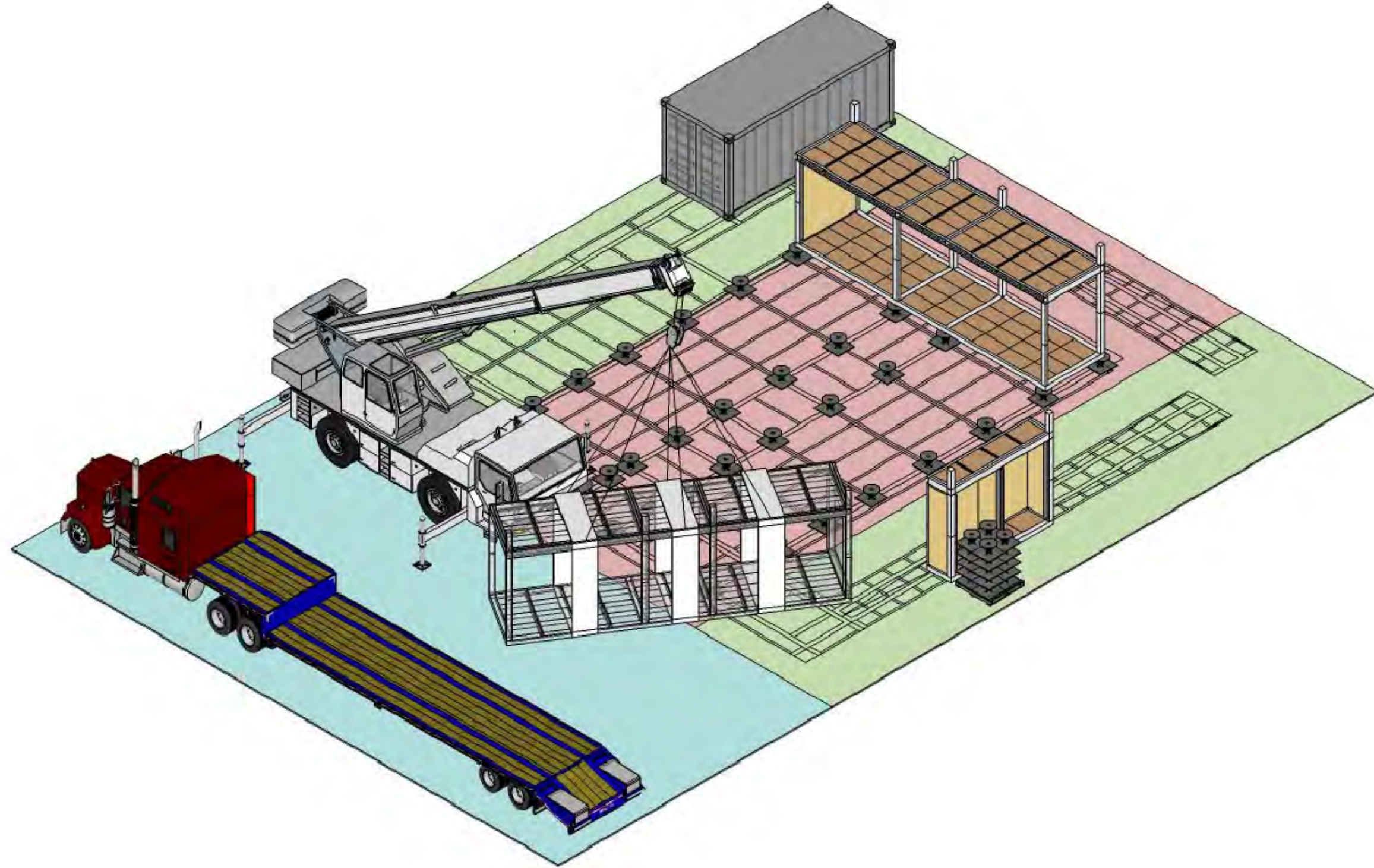
Note:

Mark	Date	Description
DN	2013/04/01	SD Submission
DN	2013/07/01	DDc Submission
ST	2013/11/01	DD Submission

Drawn by MS
 Checked by DN
 Scale -
 Unit -

DWG. Title
 PHASE 1
 SITE PREPARATION

DWG. No.
SO-202



DAY-1 13:00
 Truck-2 Low : Phase 02: Module Unit
 Unit-1- L shape Unit



Project:



Institution:



NCTU Architecture
 國立交通大學建築研究所

Team Name: NCTU/UNICODE
 Address: 1001 Ta-Hsueh Road
 Hsinchu City 30010
 Taiwan
 Contact: www.sde.tw



Consultants:

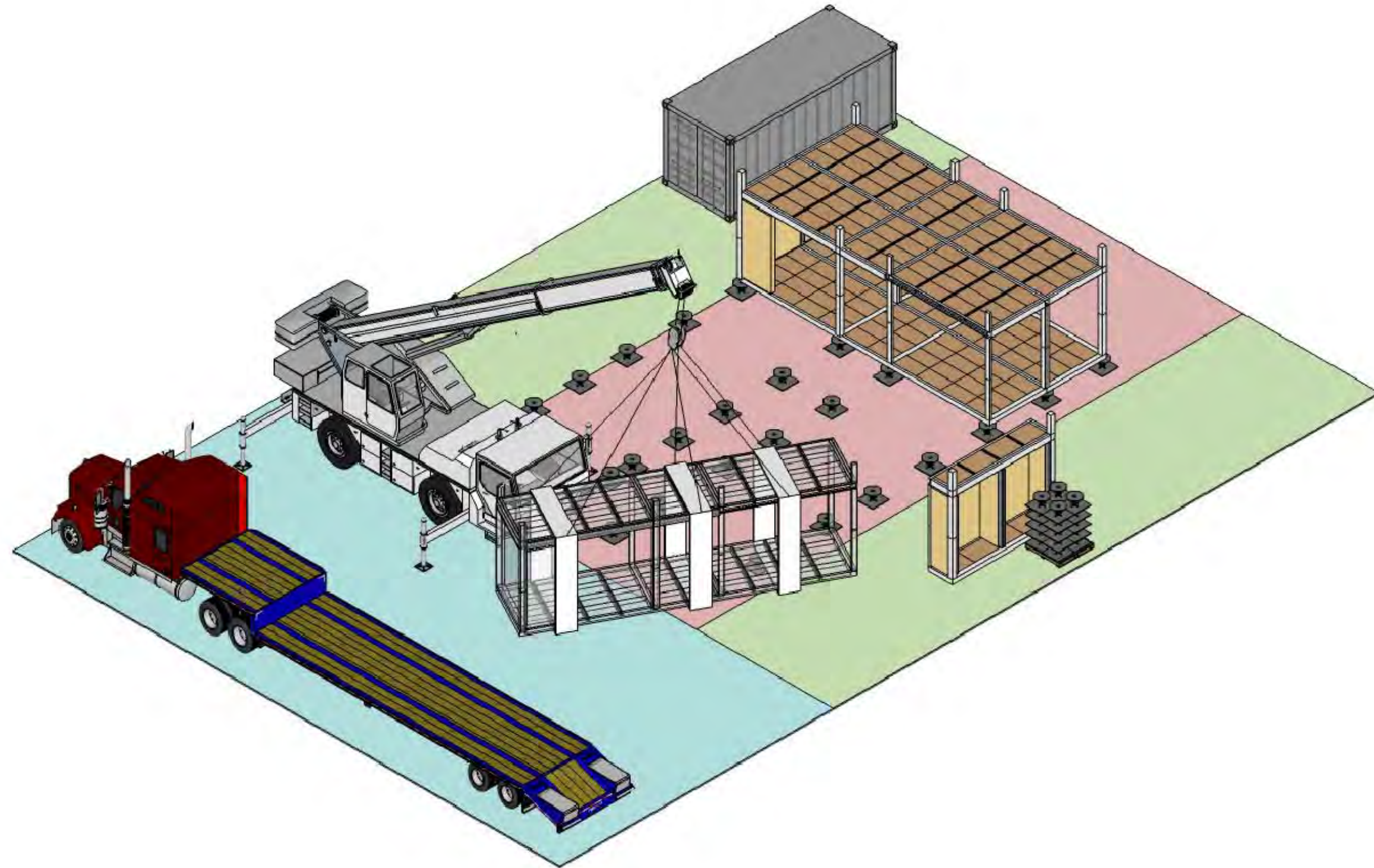
Note:

Mark	Date	Description
DN	2013/04/01	SD Submission
DN	2013/07/01	DDc Submission
ST	2013/11/01	DD Submission

Drawn by MS
 Checked by DN
 Scale -
 Unit -

DWG. Title
 PHASE 2
 MODULE UNIT
 1

DWG. No.
SO-203



DAY-1 15:00
 TRUCK-3 LOW : Phase 02: Module Unit
 Unit-2- L shape Unit



Project:



Institution:



NCTU Architecture
 國立交通大學建築研究所

Team Name: NCTU/UNICODE
 Address: 1001 Ta-Hsueh Road
 Hsinchu City 30010
 Taiwan
 Contact: www.sde.tw



Consultants:

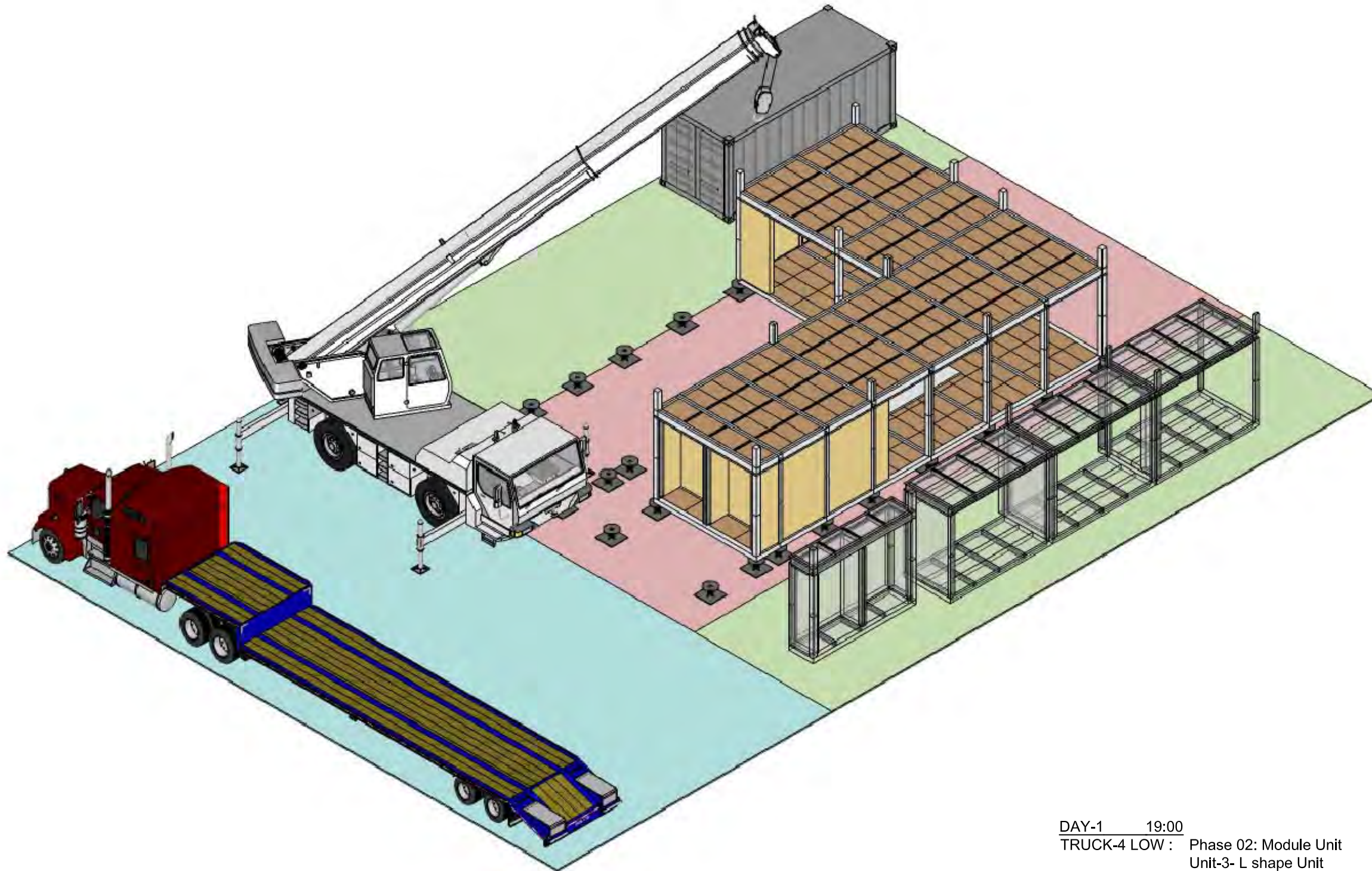
Note:

Mark	Date	Description
DN	2013/04/01	SD Submission
DN	2013/07/01	DDc Submission
ST	2013/11/01	DD Submission

Drawn by MS
 Checked by DN
 Scale -
 Unit -

DWG. Title
 PHASE 2
 MODULE UNIT
 2

DWG. No.
SO-204



DAY-1 19:00
 TRUCK-4 LOW : Phase 02: Module Unit
 Unit-3- L shape Unit
 Unit-4- L shape Unit
 Unit-5- L shape Unit



Project:



Institution:



NCTU Architecture
 國立交通大學建築研究所

Team Name: NCTU/UNICODE

Address: 1001 Ta-Hsueh Road
 Hsinchu City 30010
 Taiwan

Contact: www.sde.tw



Consultants:

Note:

Mark	Date	Description
DN	2013/04/01	SD Submission
DN	2013/07/01	DDc Submission
ST	2013/11/01	DD Submission

Drawn by MS

Checked by DN

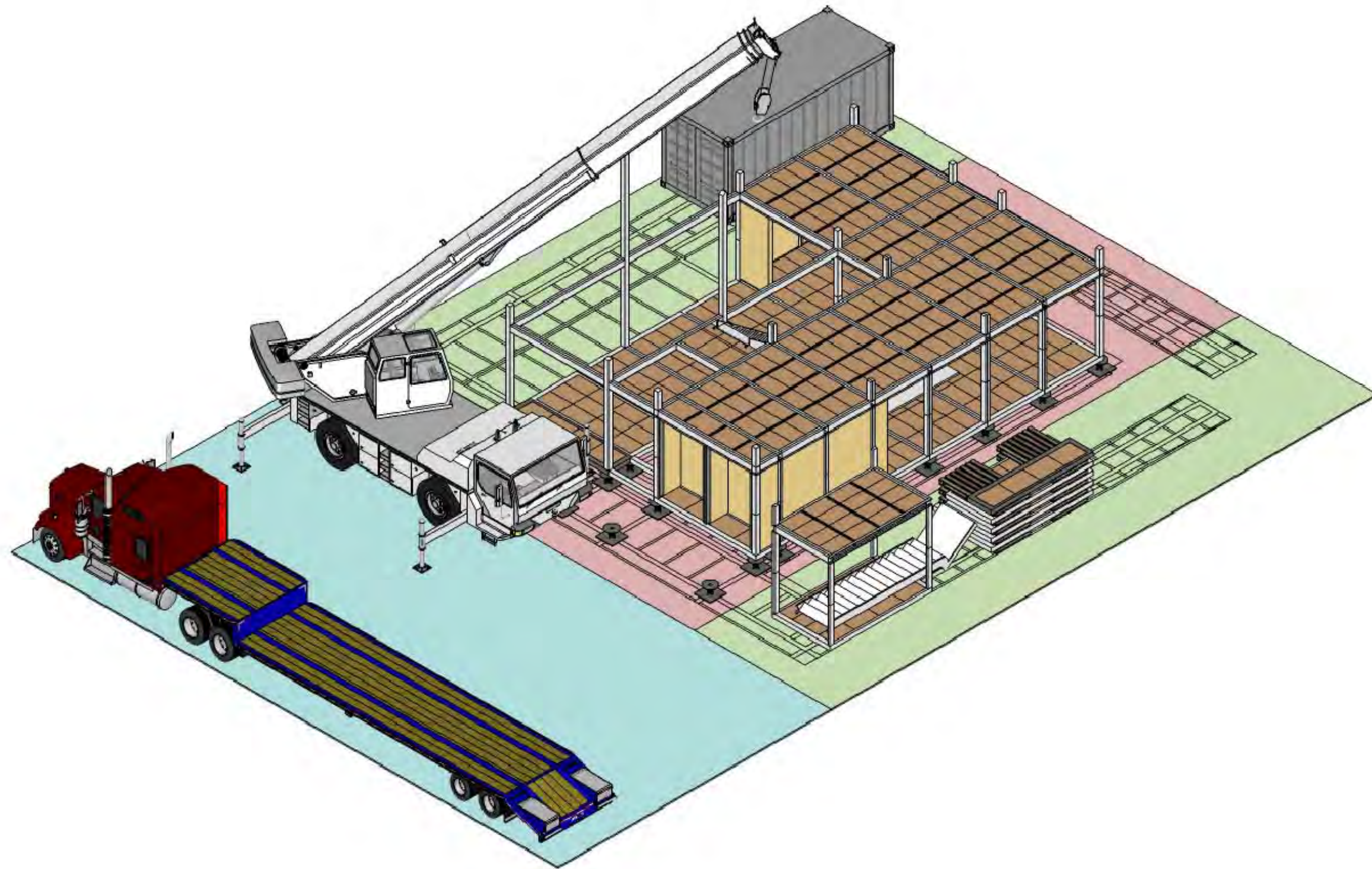
Scale -

Unit -

DWG. Title
 PHASE 2
 MODULE UNIT
 3

DWG. No.

SO-205



DAY-1 19:00
 TRUCK-5 LOW : Phase 02: Module Unit
 Unit-6- L shape Unit
 Unit-8- Terrace and pillar
 Stair



Project:



Institution:



NCTU Architecture
 國立交通大學建築研究所

Team Name: NCTU/UNICODE
 Address: 1001 Ta-Hsueh Road
 Hsinchu City 30010
 Taiwan
 Contact: www.sde.tw



Consultants:

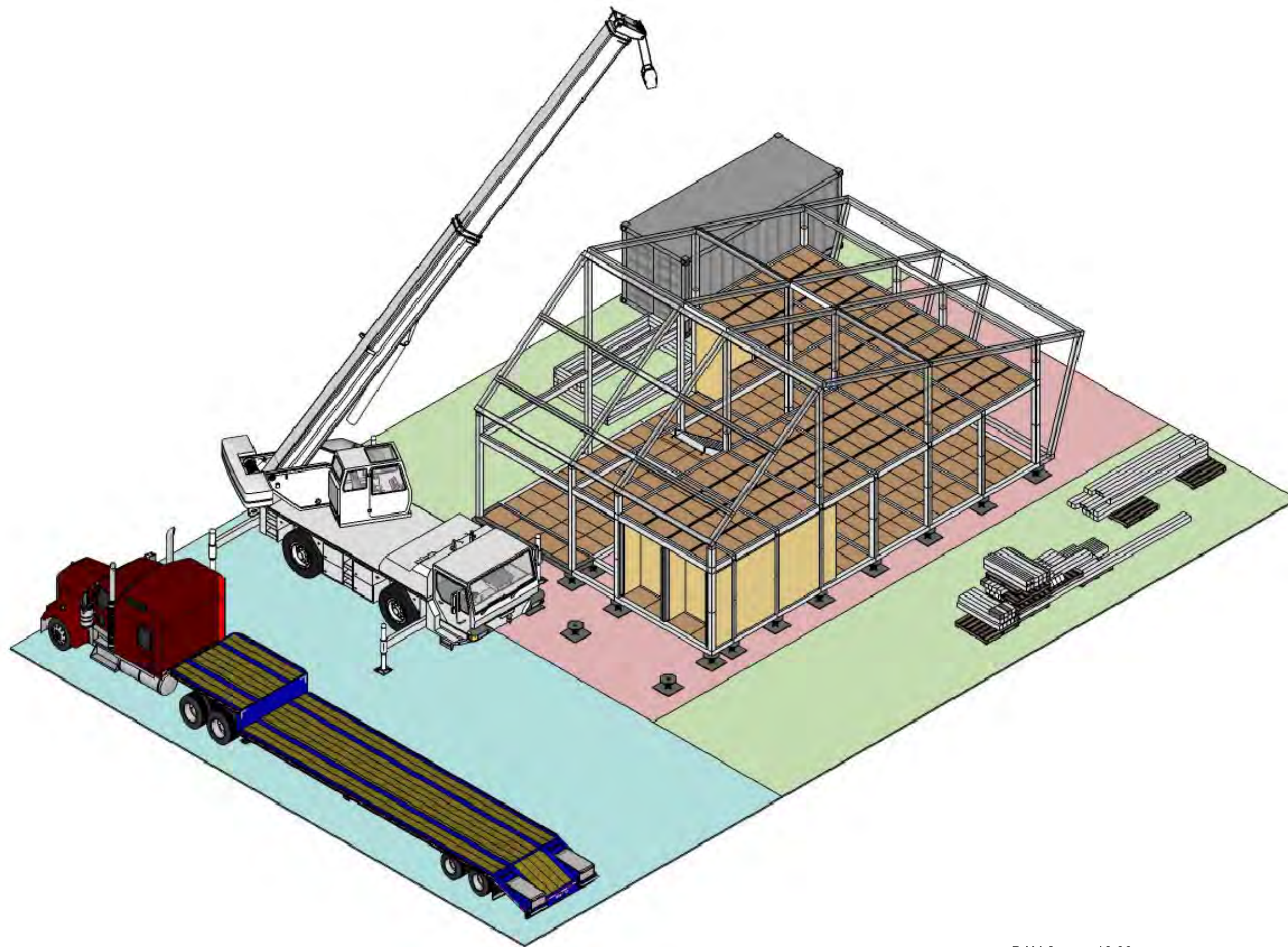
Note:

Mark	Date	Description
DN	2013/04/01	SD Submission
DN	2013/07/01	DDc Submission
ST	2013/11/01	DD Submission

Drawn by MS
 Checked by DN
 Scale -
 Unit -

DWG. Title
 PHASE 2
 MODULE UNIT
 4

DWG. No.
SO-206



DAY-2 16:00
TRUCK-6 Flat : Roof and Structure frame

Project:



Institution:



NCTU Architecture
國立交通大學建築研究所

Team Name: NCTU/UNICODE

Address: 1001 Ta-Hsueh Road
Hsinchu City 30010
Taiwan

Contact: www.sde.tw



Consultants:

Note:

Mark	Date	Description
DN	2013/04/01	SD Submission
DN	2013/07/01	DDc Submission
ST	2013/11/01	DD Submission

Drawn by MS

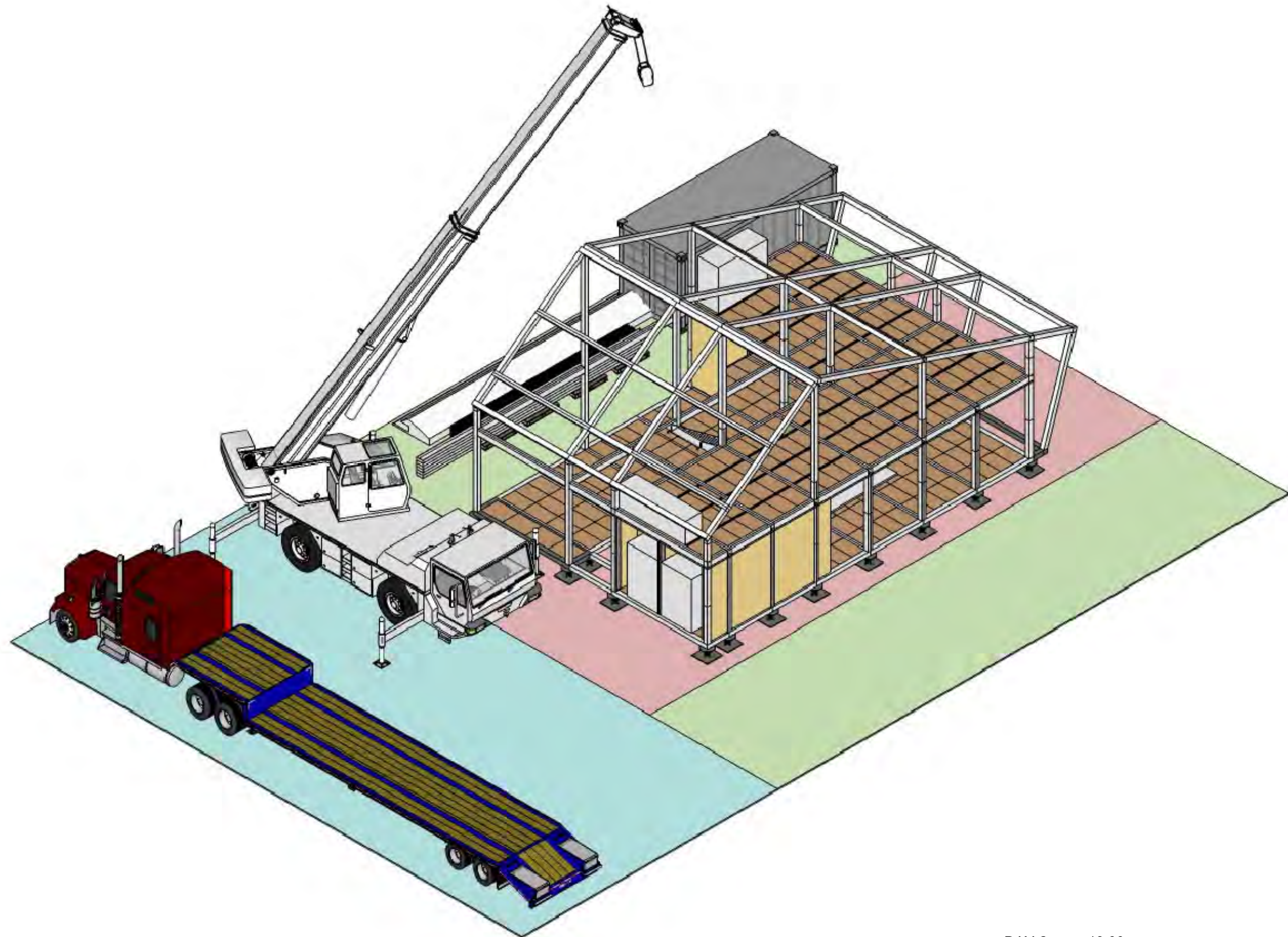
Checked by DN

Scale -

Unit -

DWG. Title
**PHASE 3
MAIN STRUCTURE**

DWG. No.
SO-207



DAY-2 19:00
 TRUCK-7 Flat : Phase 04: Appliance & electricity
 Appliance & electricity
 Lifting and electricity Pipeline installation



Project:



Institution:



NCTU Architecture
 國立交通大學建築研究所

Team Name: NCTU/UNICODE
 Address: 1001 Ta-Hsueh Road
 Hsinchu City 30010
 Taiwan
 Contact: www.sde.tw



Consultants:

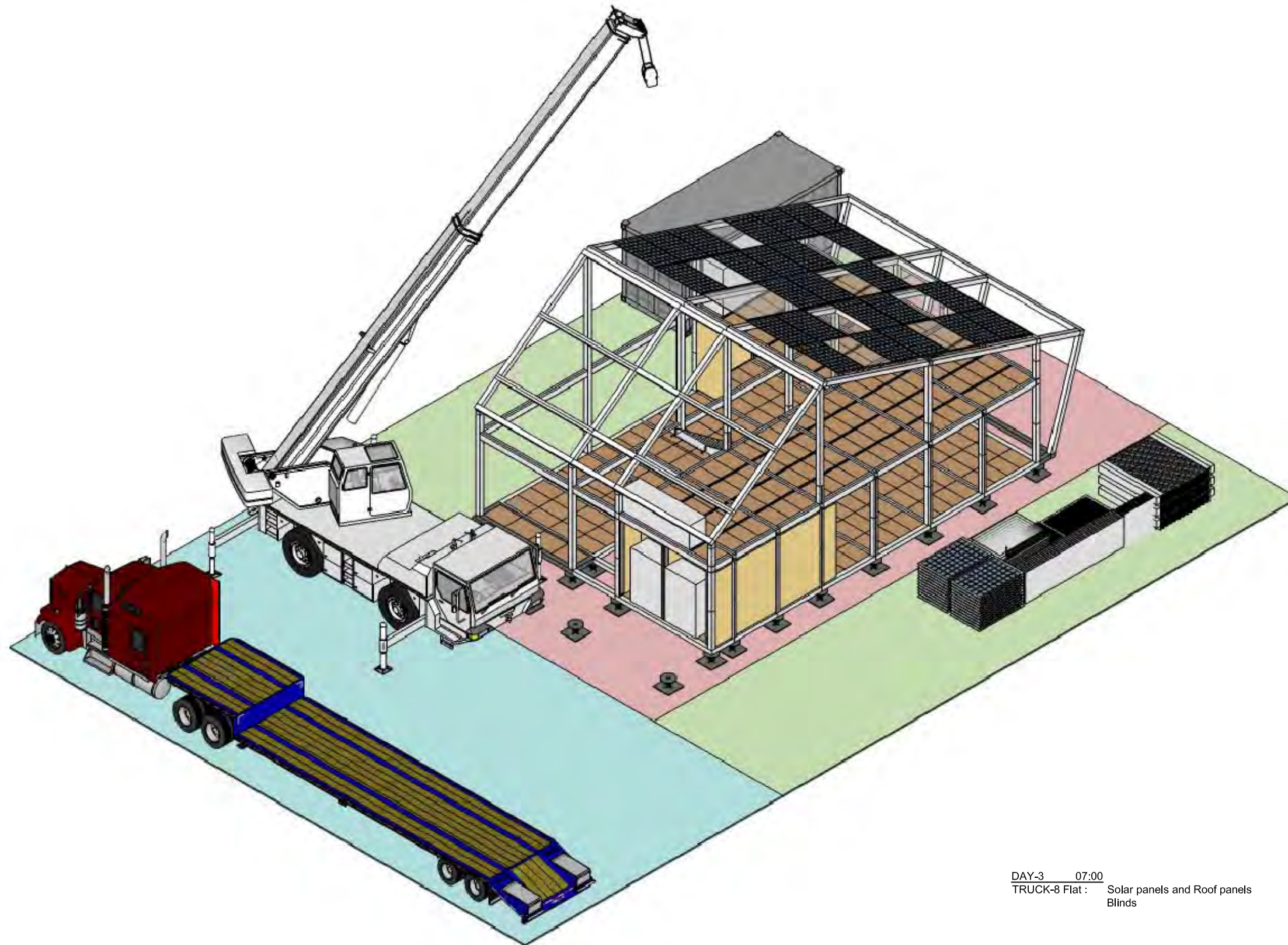
Note:

Mark	Date	Description
DN	2013/04/01	SD Submission
DN	2013/07/01	DDc Submission
ST	2013/11/01	DD Submission

Drawn by MS
 Checked by DN
 Scale -
 Unit -

DWG. Title
 PHASE 4
 APPLIANCE & ELECTRICITY

DWG. No.
SO-208



DAY-3 07:00
 TRUCK-8 Flat : Solar panels and Roof panels
 Blinds



Project:



Institution:



NCTU Architecture
 國立交通大學建築研究所

Team Name: NCTU/UNICODE
 Address: 1001 Ta-Hsueh Road
 Hsinchu City 30010
 Taiwan
 Contact: www.sde.tw



Consultants:

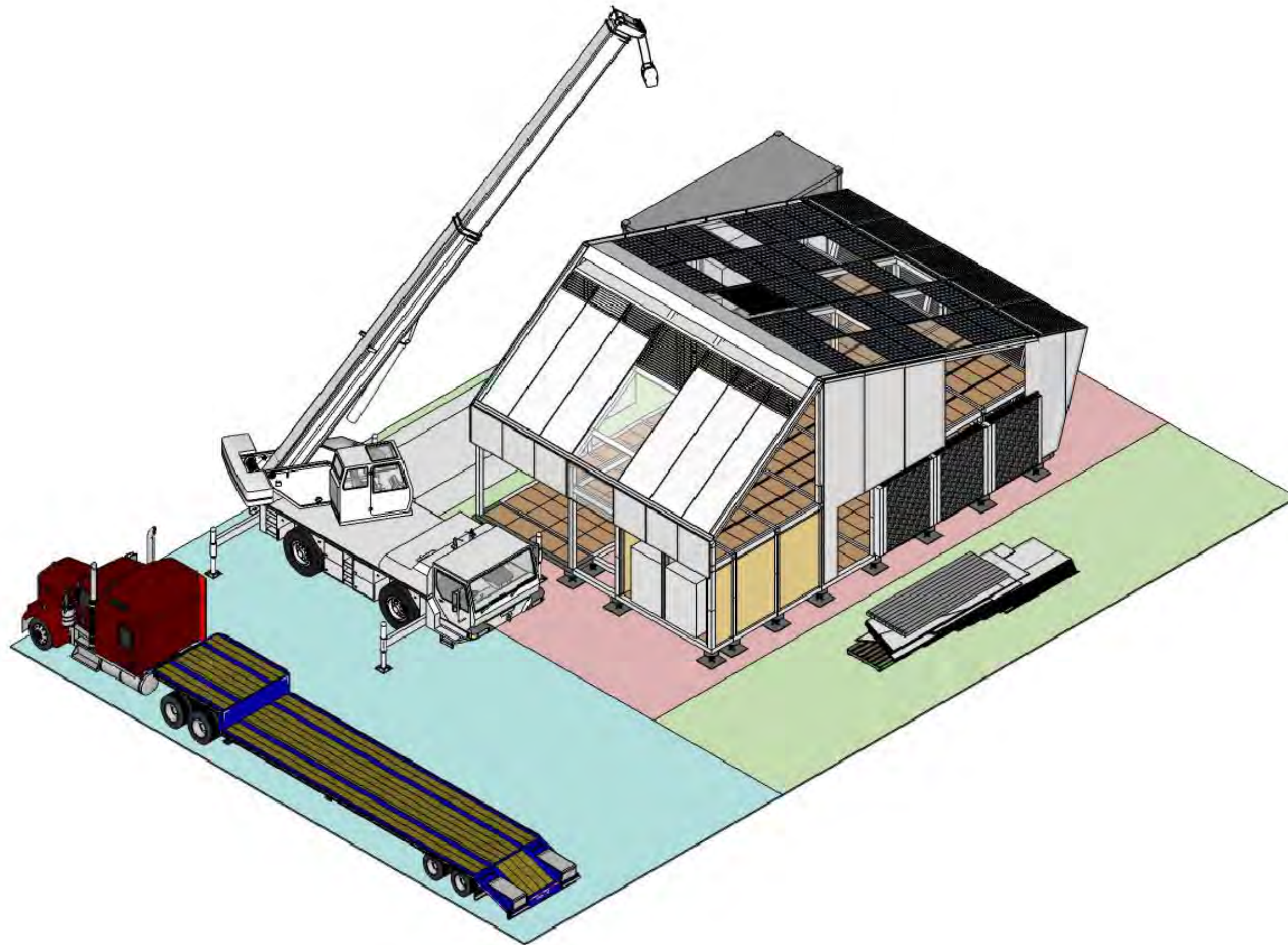
Note:

Mark	Date	Description
DN	2013/04/01	SD Submission
DN	2013/07/01	DDc Submission
ST	2013/11/01	DD Submission

Drawn by MS
 Checked by DN
 Scale -
 Unit -

DWG. Title
 PHASE 5
 ROOF

DWG. No.
SO-209



DAY-4 07:00
 TRUCK-9 Flat : Exterior Wall
 Bayer



Project:



Institution:



NCTU Architecture
 國立交通大學建築研究所

Team Name: NCTU/UNICODE

Address: 1001 Ta-Hsueh Road
 Hsinchu City 30010
 Taiwan

Contact: www.sde.tw



Consultants:

Note:

Mark	Date	Description
DN	2013/04/01	SD Submission
DN	2013/07/01	DDc Submission
ST	2013/11/01	DD Submission

Drawn by MS

Checked by DN

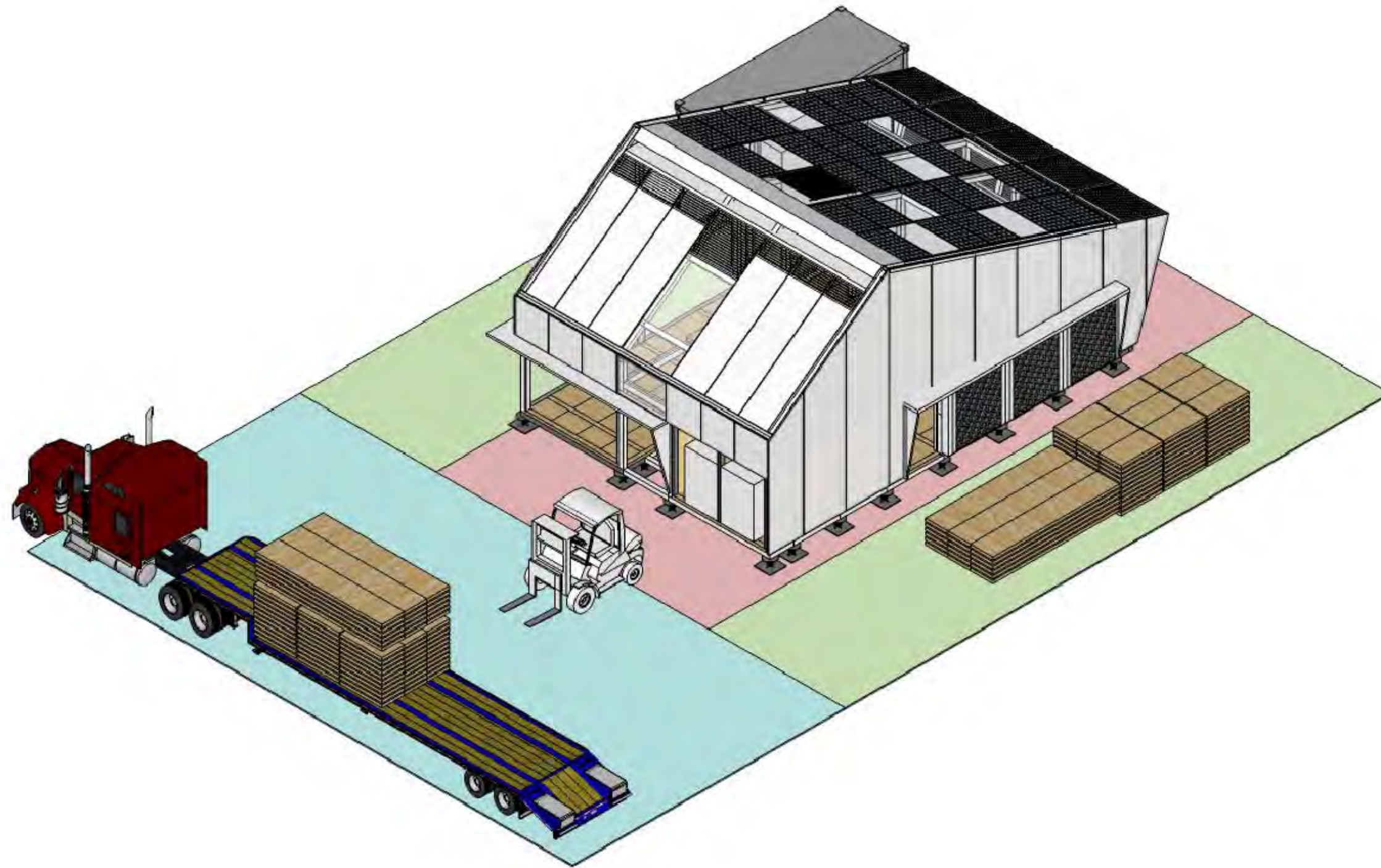
Scale -

Unit -

DWG. Title
 PHASE 6
 EXTERIOR WALL

DWG. No.

SO-210



DAY-5 07:00
 TRUCK-10 Flat : Floor
 Interior Floor finish
 Ceiling



Project:



Institution:



NCTU Architecture
 國立交通大學建築研究所

Team Name: NCTU/UNICODE

Address: 1001 Ta-Hsueh Road
 Hsinchu City 30010
 Taiwan

Contact: www.sde.tw



Consultants:

Note:

Mark	Date	Description
DN	2013/04/01	SD Submission
DN	2013/07/01	DDc Submission
ST	2013/11/01	DD Submission

Drawn by MS

Checked by DN

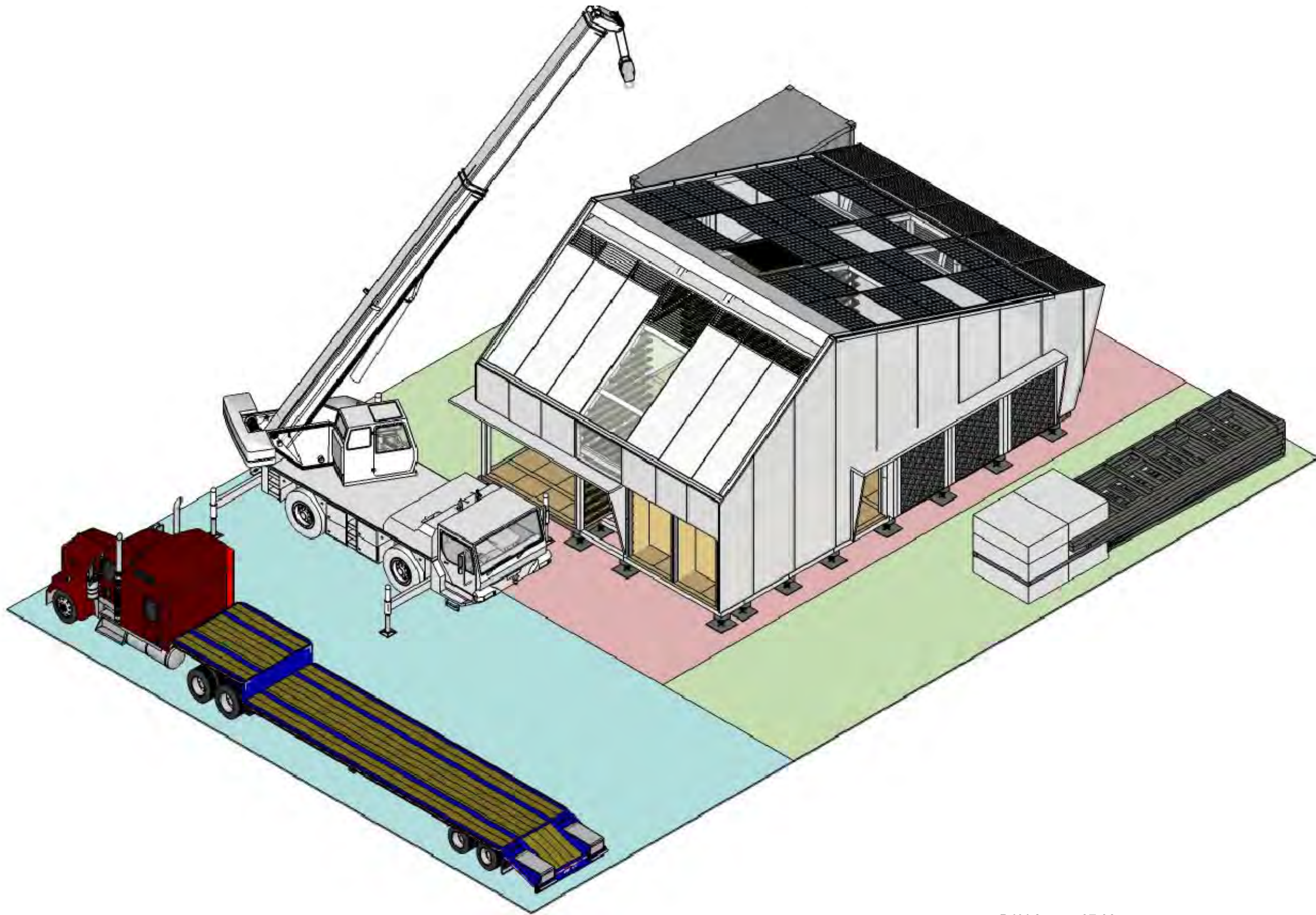
Scale -

Unit -

DWG. Title
 PHASE 7
 FLOOR & WINDOWS
 1

DWG. No.

SO-211



DAY-6 07:00
 TRUCK-11 Flat : Out door Floor finish and Deck



Project:



Institution:



NCTU Architecture
 國立交通大學建築研究所

Team Name: NCTU/UNICODE

Address: 1001 Ta-Hsueh Road
 Hsinchu City 30010
 Taiwan

Contact: www.sde.tw



Consultants:

Note:

Mark	Date	Description
DN	2013/04/01	SD Submission
DN	2013/07/01	DDc Submission
ST	2013/11/01	DD Submission

Drawn by MS

Checked by DN

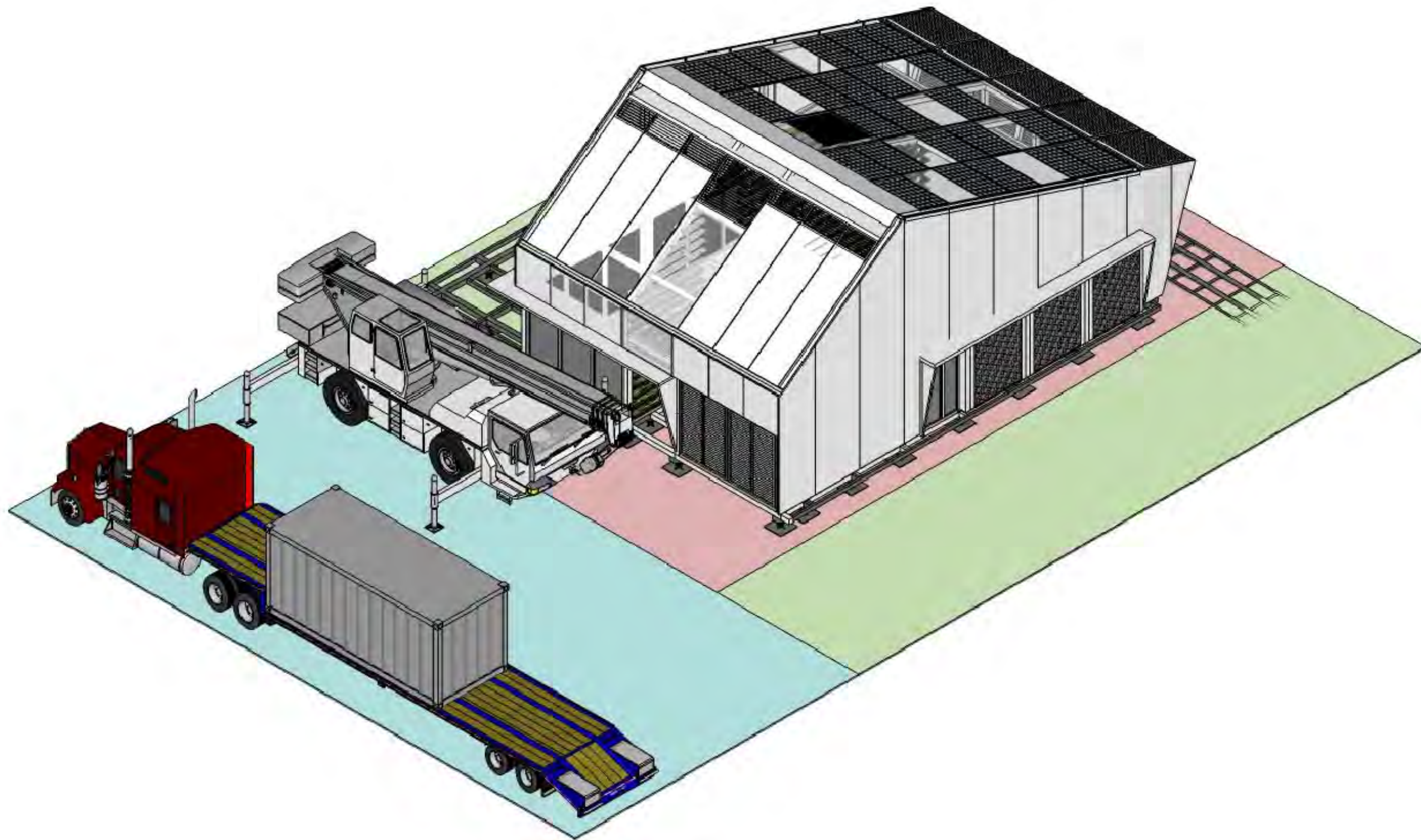
Scale -

Unit -

DWG. Title
 PHASE 7
 FLOOR & WINDOWS
 2

DWG. No.

SO-212



DAY-6 15:00
TRUCK-12 Flat: Tool move out



Project:



Institution:



NCTU Architecture
國立交通大學建築研究所

Team Name: NCTU/UNICODE

Address: 1001 Ta-Hsueh Road
Hsinchu City 30010
Taiwan

Contact: www.sde.tw



Consultants:

Note:

Mark	Date	Description
DN	2013/04/01	SD Submission
DN	2013/07/01	DDc Submission
ST	2013/11/01	DD Submission

Drawn by MS

Checked by DN

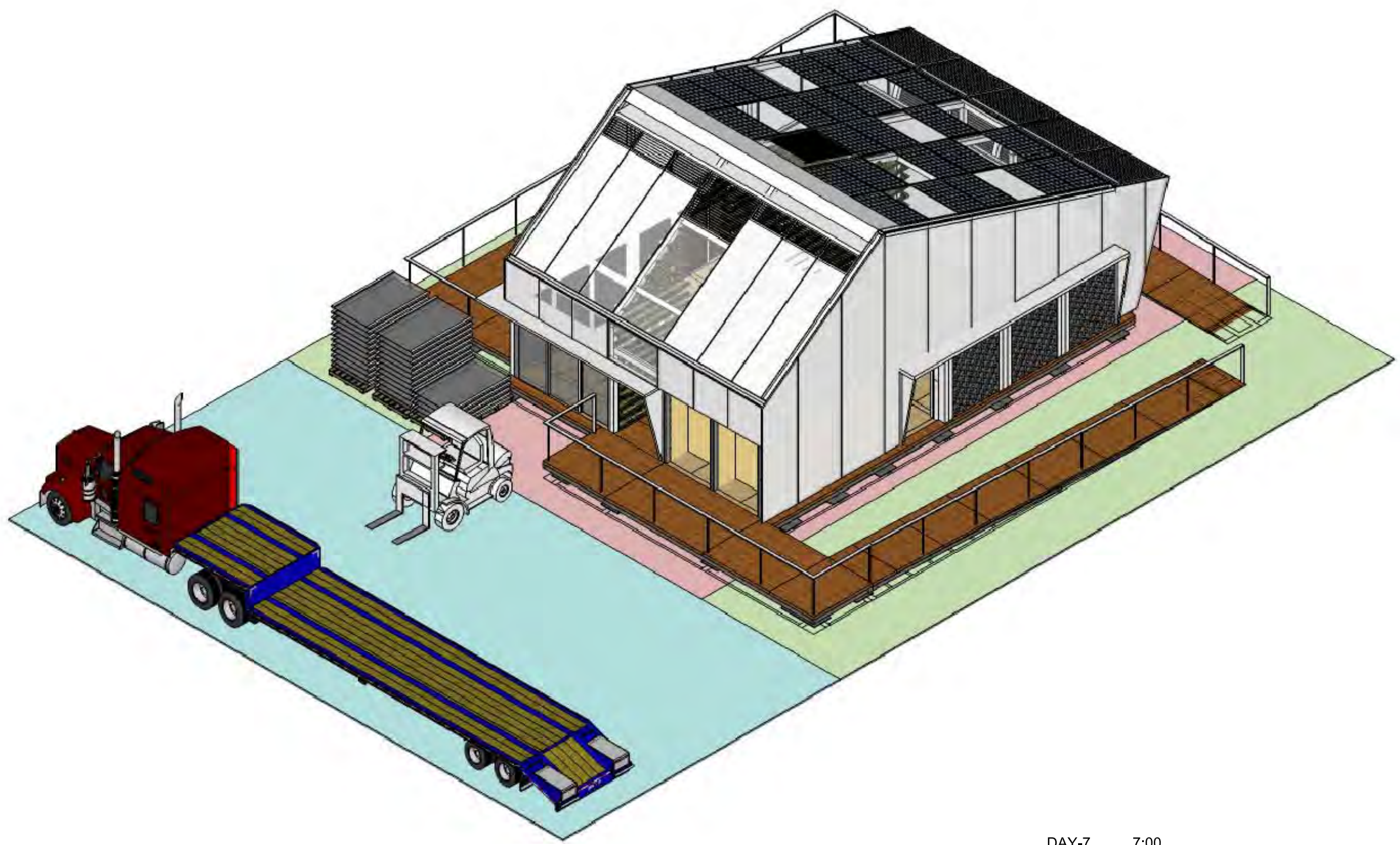
Scale -

Unit -

DWG. Title
PHASE 7
FLOOR & WINDOWS
3

DWG. No.

SO-213



DAY-7 7:00
TRUCK-13 Flat : Windows



Project:



Institution:



NCTU Architecture
國立交通大學建築研究所

Team Name: NCTU/UNICODE
Address: 1001 Ta-Hsueh Road
Hsinchu City 30010
Taiwan
Contact: www.sde.tw



Consultants:

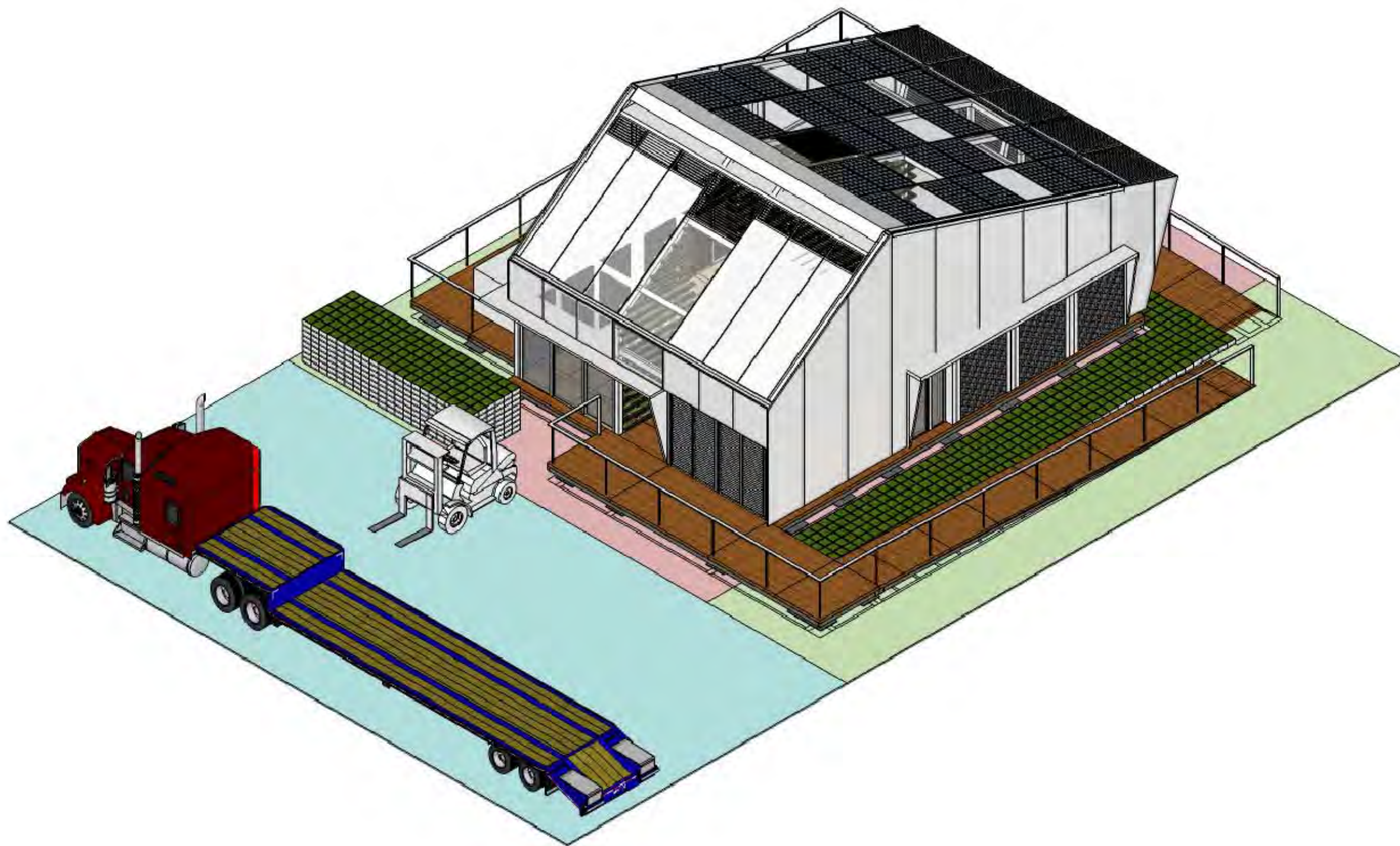
Note:

Mark	Date	Description
DN	2013/04/01	SD Submission
DN	2013/07/01	DDc Submission
ST	2013/11/01	DD Submission

Drawn by MS
Checked by DN
Scale -
Unit -

DWG. Title
PHASE 7
FLOOR & WINDOWS
4

DWG. No.
SO-214



DAY-7 7:00
 TRUCK-13 Flat : Furniture & Planting



Project:



Institution:



NCTU Architecture
 國立交通大學建築研究所

Team Name: NCTU/UNICODE
 Address: 1001 Ta-Hsueh Road
 Hsinchu City 30010
 Taiwan
 Contact: www.sde.tw



Consultants:

Note:

Mark	Date	Description
DN	2013/04/01	SD Submission
DN	2013/07/01	DDc Submission
ST	2013/11/01	DD Submission

Drawn by MS
 Checked by DN
 Scale -
 Unit -

DWG. Title
 PHASE 8
 FURNITURE & PLANTING

DWG. No.
SO-215



DAY-8~10
 Continue to complete the construction
 Phase 09: Lot cleaning
 Phase 10: Test



Project:



Institution:



NCTU Architecture
 國立交通大學建築研究所

Team Name: NCTU/UNICODE

Address: 1001 Ta-Hsueh Road
 Hsinchu City 30010
 Taiwan

Contact: www.sde.tw



Consultants:

Note:

Mark	Date	Description
DN	2013/04/01	SD Submission
DN	2013/07/01	DDc Submission
ST	2013/11/01	DD Submission

Drawn by MS

Checked by DN

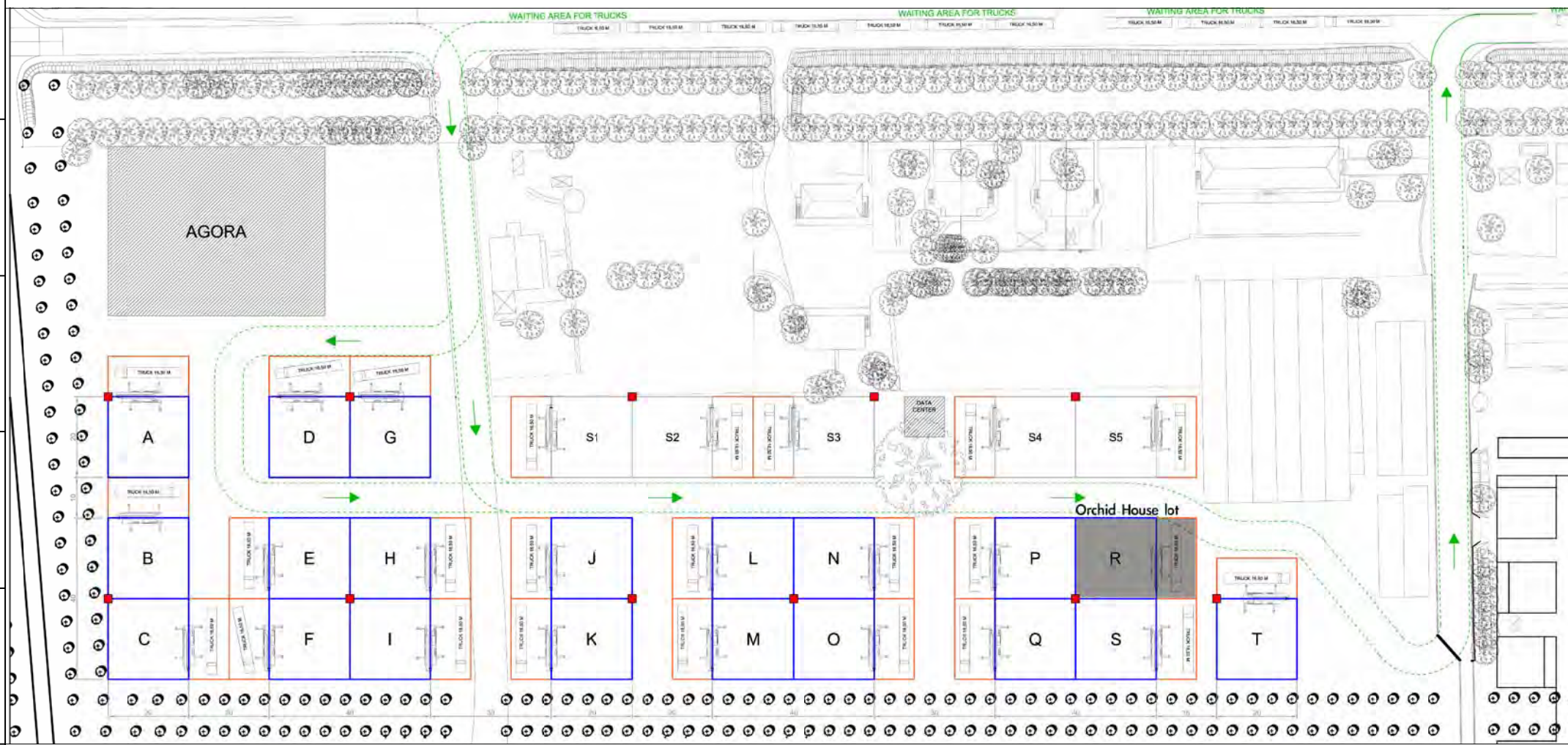
Scale -

Unit -

DWG. Title
 PHASE 9
 LOT CLEAN & TEST

DWG. No.
SO-216

VEHICLE ACCESS TO LOT



SITE DESCRIPTION

Lot number: R
 Lot size: 20 x 20 m (400m²)
 Elements around the lot:
 -Our lot situated near the main path export
 -The track route overlaps with our loading/unloading area



NCTU Architecture
 國立交通大學建築研究所

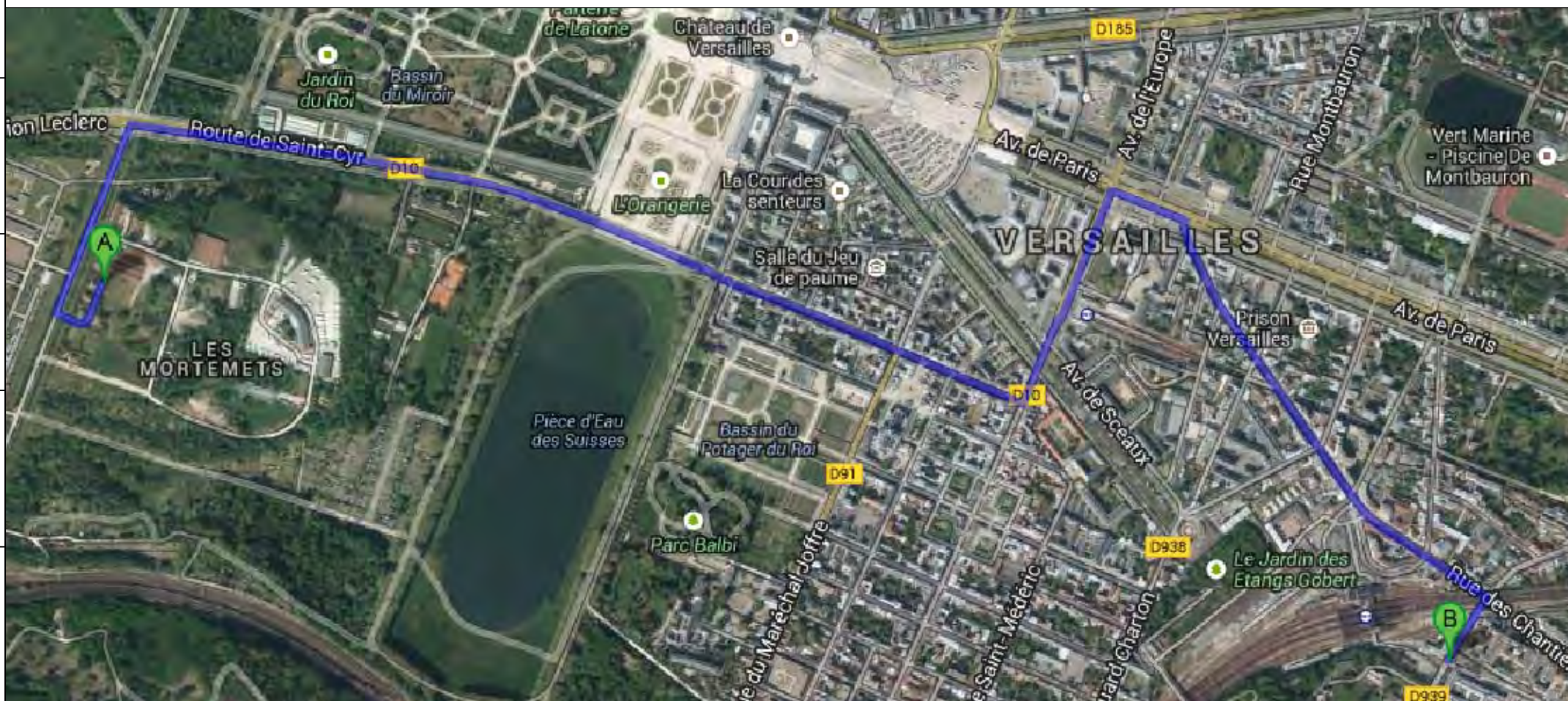
Team Name: NCTU/UNICODE
 Address: 1001 Ta-Hsueh Road
 Hsinchu City 30010
 Taiwan
 Contact: www.sde.tw



Consultants:

Note:

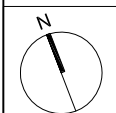
ROUTE TO THE NEAREST HOSPITAL



A: La Cite du Soleil

- Head south on "Allée des Matelots"
- Turn right to stay on "Allée des Matelots"
- Turn right onto "D10"
- Turn left onto "Rue Royale/D10"
Continue to follow D10
- Turn right onto "Av. de Paris/D10"
- Turn right onto "Rue des États Généraux"
- Continue onto "Rue des Chantiers"
- Turn right onto "Pl. du 8 Mai 1945/D939"
Continue to follow D939
- Turn left

Distance: 3.4km, 8 mins



Mark	Date	Description
DN	2013/04/01	SD Submission
DN	2013/07/01	DDc Submission
ST	2013/11/01	DD Submission

Drawn by	LC
Checked by	DN
Scale	-
Unit	-

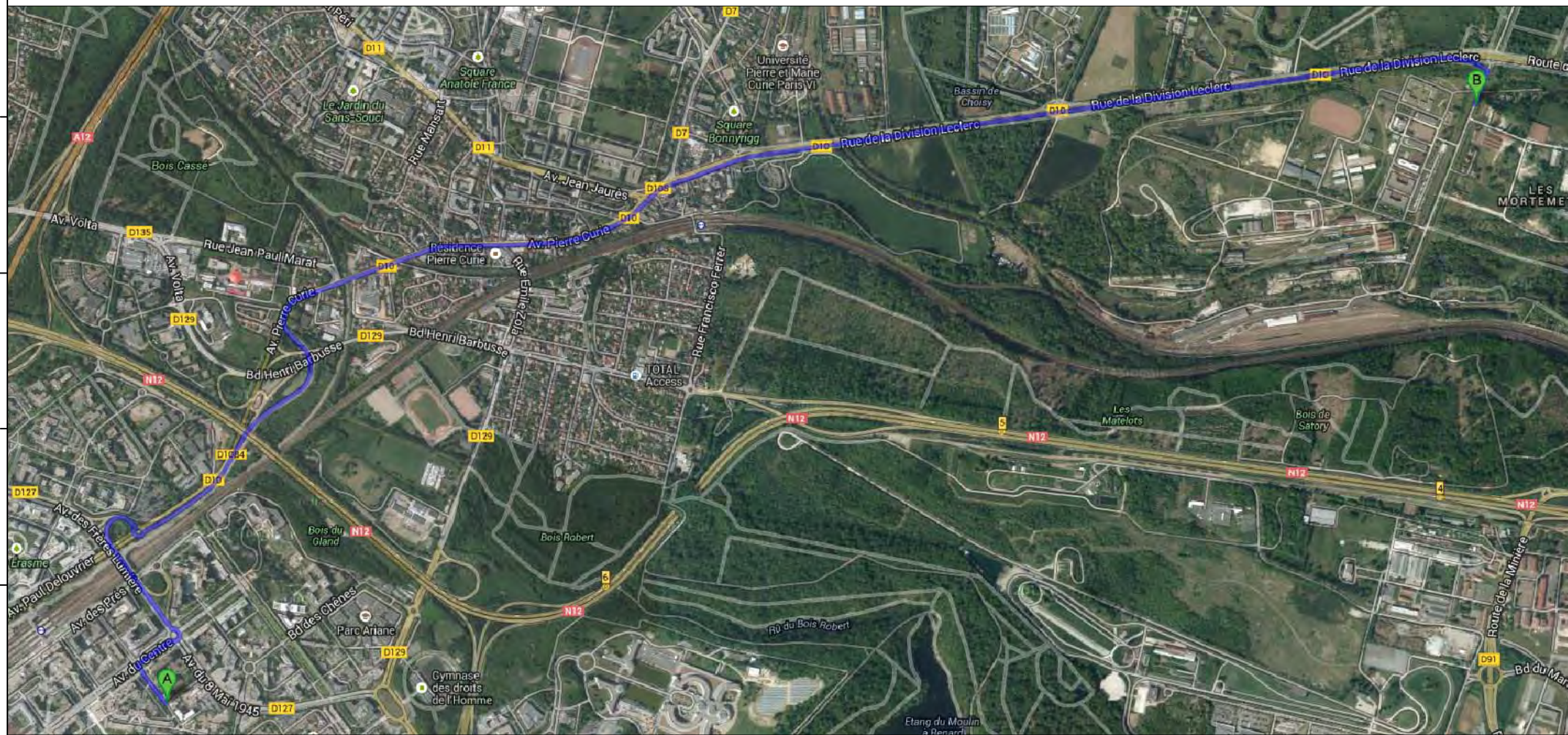
B: Département Anesthésie-Réanimation - Hôpitaux Privés de Versailles

Address: 7bis A Rue de la Porte de Buc
 78000 Versailles, France
 TLF: +33 826 30 33 33
 anesthésie-versailles.com

DWG. Title
HEALTH AND SAFETY IN THE LOT AND SURROUNDINGS 1

DWG. No.
HS-001

ROUTE TO THE NEAREST POLICE OFFICE



A: La Cite du Soleil

- Head northeast on Allée des Matelotstoward D10
- Turn left onto D10
- Slight right onto Av. de la Division Leclerc/D10
- At the roundabout, take the 1st exit onto the Av. des Frères Lumière/D127 ramp
- Keep left at the fork, follow signs for D127/Guyancourt/Quartier saint quentin
- Turn left onto Av. des Frères Lumière/D127
- Turn right onto Rue de la Division Leclerc

Distance: 5.8km, 9 mins

B: Commissariat de Police

Address: 1 Rue de la Division Leclerc
8280 Guyancourt, France



Project:



Institution:



NCTU Architecture
國立交通大學建築研究所

Team Name: NCTU/UNICODE

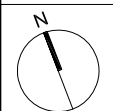
Address: 1001 Ta-Hsueh Road
Hsinchu City 30010
Taiwan

Contact: www.sde.tw



Consultants:

Note:



Mark	Date	Description
DN	2013/04/01	SD Submission
DN	2013/07/01	DDc Submission
ST	2013/11/01	DD Submission

Drawn by LC

Checked by DN

Scale

Unit

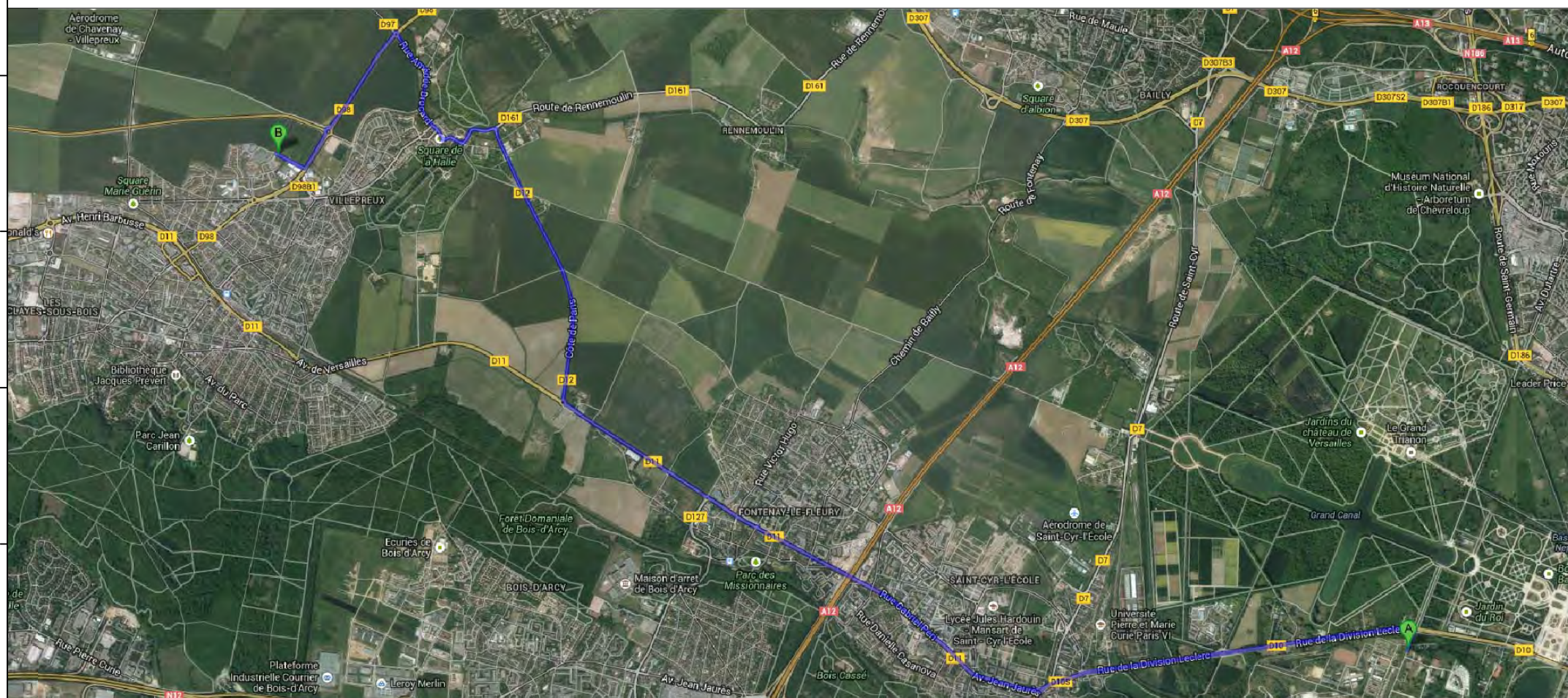
DWG. Title

HEALTH AND SAFETY IN
THE LOT AND
SURROUNDINGS 2

DWG. No.

HS-002

ROUTE TO THE FIRE STATION



A: La Cite du Soleil

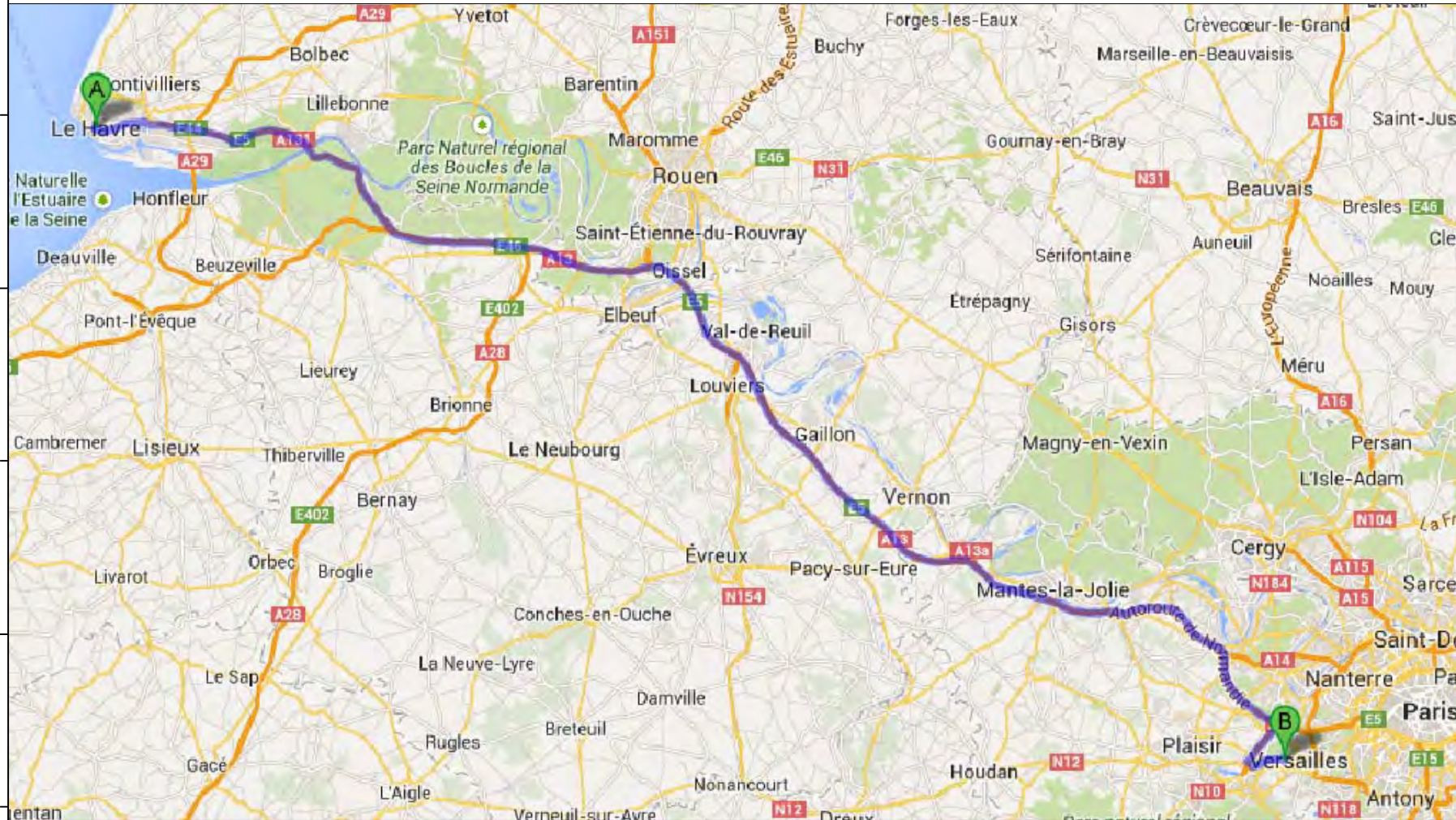
- Head northeast on Allée des Matelotstoward D10
- Turn left onto D10
- Slight right onto Av. de la Division Leclerc/D10
- Turn right onto Av. Jean Jaurès/D11
Continue to follow D11
- At the roundabout, take the 2nd exit onto Rue Jules Massenet/D98
- Turn left onto D98

Distance: 11.3km, 18 mins

B: Sapeurs Pompiers des Yvelines

Address: Avenue de Pépinière
78450 Villepreux, France

TRUCKS ROUTE FROM "Le Havre" TO "La Cite du Soleil"



A: LE HAVRE

- Head west on Av. du Général Leclerc toward Pl. de l'Hôtel de ville
- Take the 1st left onto Pl. de l'Hôtel de ville
- Turn right onto Bd de Strasbourg
- Continue onto Cours Lafayette
- Continue onto Quai Colbert
- Slight left onto D6015
- Keep left to stay on D6015
- Continue onto N282
- Continue onto A131
- At the roundabout, take the 3rd exit onto N182
- Slight left onto E5
- Continue onto A131/E5
- Merge onto A13/E5
- Take the exit onto A12 toward Saint-Quentin-en-Yvelines
- Take the exit toward Évry/Lyon/Dreux/Saint-Quentin-en-Yvelines/Bois-D'Arcy/Versailles-Satory

- Keep right at the fork, follow signs for Saint-Cyr-l'École
- Turn left onto D129
- Slight right onto Av. Volta/D129
Continue to follow D129
- At the roundabout, take the 3rd exit onto Rue Emile Zola
- Turn right onto Av. Pierre Curie/D10
- Slight right to stay on Av. Pierre Curie/D10
- Turn right onto Allée des Matelots

Distance: 191 km, 1 hour 56mins

B: La Cite du Soleil



Project:



Institution:



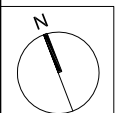
NCTU Architecture
國立交通大學建築研究所

Team Name: NCTU/UNICODE
Address: 1001 Ta-Hsueh Road
Hsinchu City 30010
Taiwan
Contact: www.sde.tw



Consultants:

Note:



Mark	Date	Description
DN	2013/04/01	SD Submission
DN	2013/07/01	DDc Submission
ST	2013/11/01	DD Submission

Drawn by LC

Checked by DN

Scale -

Unit -

DWG. Title
**HEALTH AND SAFETY
DURING THE OUTSIDE
LOGISTIC**

DWG. No.

HS-101

PROBLEM	RISKS	ADOPTED MEASURES
Dangers caused by weather	Heavy rain due to slippery floors	Drive slowly
Traffic problem during shipping	Traffic jam due to spent more time	To do another preparation during waiting for trucks
Road construction	Road blocked	Plan B (other route)
Complex traffic system	Get lost	Arrange the route clearly before departure

SITE VIEW



NCTU Architecture
國立交通大學建築研究所

Team Name: NCTU/UNICODE
Address: 1001 Ta-Hsueh Road
Hsinchu City 30010
Taiwan
Contact: www.sde.tw



Consultants:

Note:

PROBLEM	RISKS	ADOPTED MEASURES
Dangers caused by weather	Ground subsidence Getting stuck of heavy equipment Getting stuck of heavy components	Provision of lifting devices Support plates for heavy vehicles' legs
Dangers due to the great number of people on shipping to the site	Unclear arrangement danger of injury increases	No access for unauthorized persons Access only in coordination with construction/shift supervisor High visibility vest in compliance with the color scheme required by site operations for every person entering construction site
Too many access possibilities to the lot	Unclear arrangement danger of unauthorized access	Security officers for control Site fence Clearly marked pedestrian access to construction site
Too small distances from lot and trees/ plants	Obstruction of vehicle' movements Obstructions due to small distances between construction grounds Obstruction of vehicle' movements	No changes possible - steady crane - site fence - unloading/loading materials in the storage area inside the lot - unauthorized and external persons who invade the lot
Ground limitations	Obstruction / limitations through on-site security installations	Securing existing escape routes No dangerous works close to this area

Mark	Date	Description
DN	2013/04/01	SD Submission
DN	2013/07/01	DDc Submission
ST	2013/11/01	DD Submission

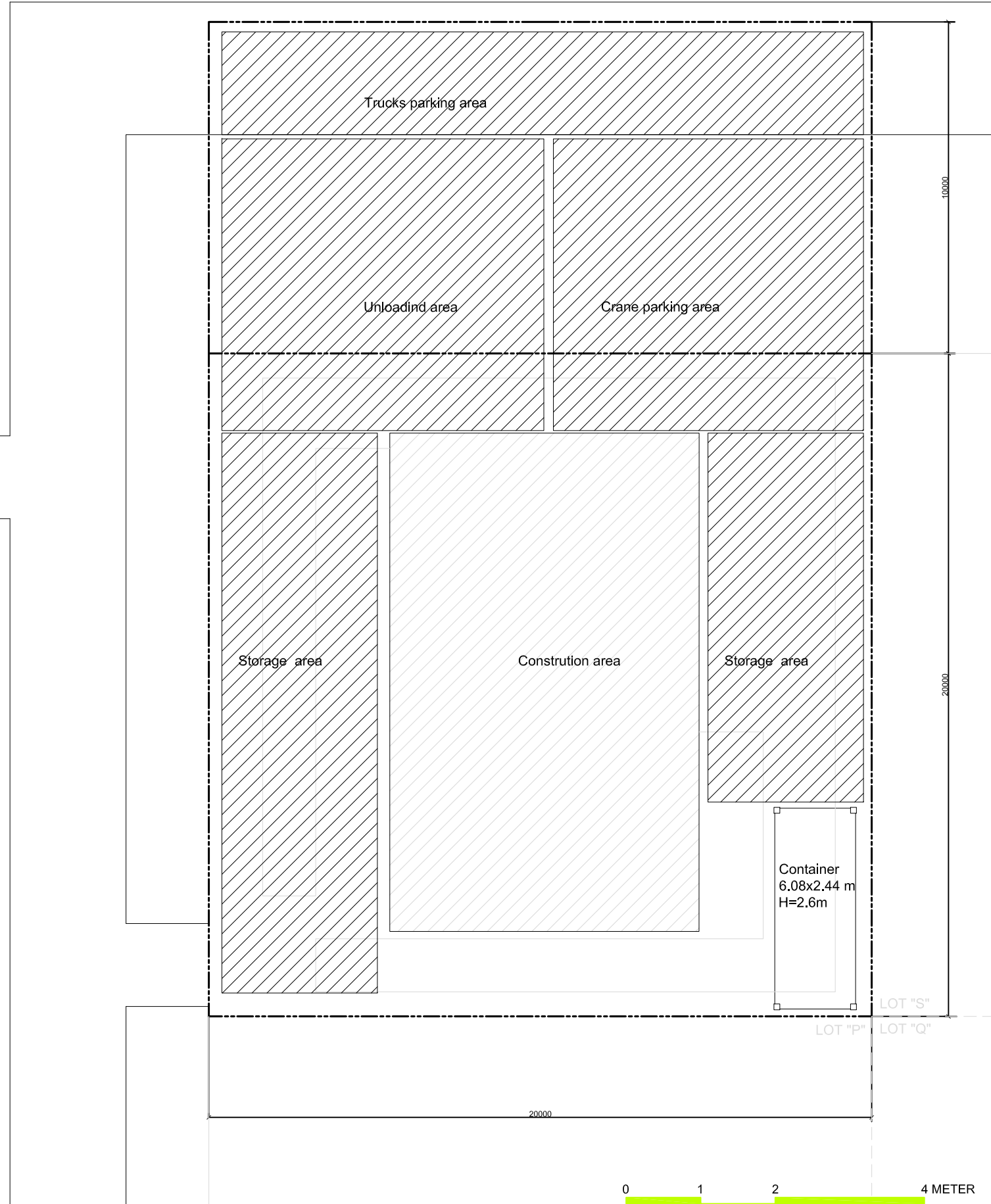
Drawn by: LC
Checked by: DN
Scale:
Unit: -

DWG. Title
**HEALTH AND SAFETY
DURING THE INSIDE
LOGISTIC**

DWG. No.
HS-201

THE SAFETY PLAN AND COORDINATION PHASE

Plan of site



PROBLEM	RISKS	ADOPTED MEASURES
Too small property lines	Collision with other people Collision with parts stored Discomfort to the maneuvers	Marking dangerous parts stored High visibility vests Guiding gear during maneuvers with two pedestrians Designing a delivery zone
Dangers due to the great number of people in the site	Increased dangers of injury muddle	High visibility vest Denial of access to other people
Trucks passway	Pass by operation area	Arrange signpostings
Heavy rain or rain of long-term	Degradation of the land Electric shock due to humidity	Use anti-slide mats on slipping surfaces Regularly remove water from the floor with scrapers Replacement of defective cables Waterproof plugs Protective clothes
Ground limitations	Obstruction / limitations through on-site security installations	Securing existing escape routes No dangerous works close to this area
Traffic and parking of the crane or a truck	Shock, collisions with pedestrians, existing equipment or vehicle Falling objects transported	Respect the rules of the road Parking places reserved for this purpose Lash with appropriate means and in sufficient number



Project:



Institution:



NCTU Architecture
國立交通大學建築研究所

Team Name: NCTU/UNICODE

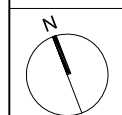
Address: 1001 Ta-Hsueh Road
Hsinchu City 30010
Taiwan

Contact: www.sde.tw



Consultants:

Note:



Mark	Date	Description
DN	2013/04/01	SD Submission
DN	2013/07/01	DDc Submission
ST	2013/11/01	DD Submission

Drawn by: LC

Checked by: DN

Scale: 1:150

Unit: mm

DWG. Title

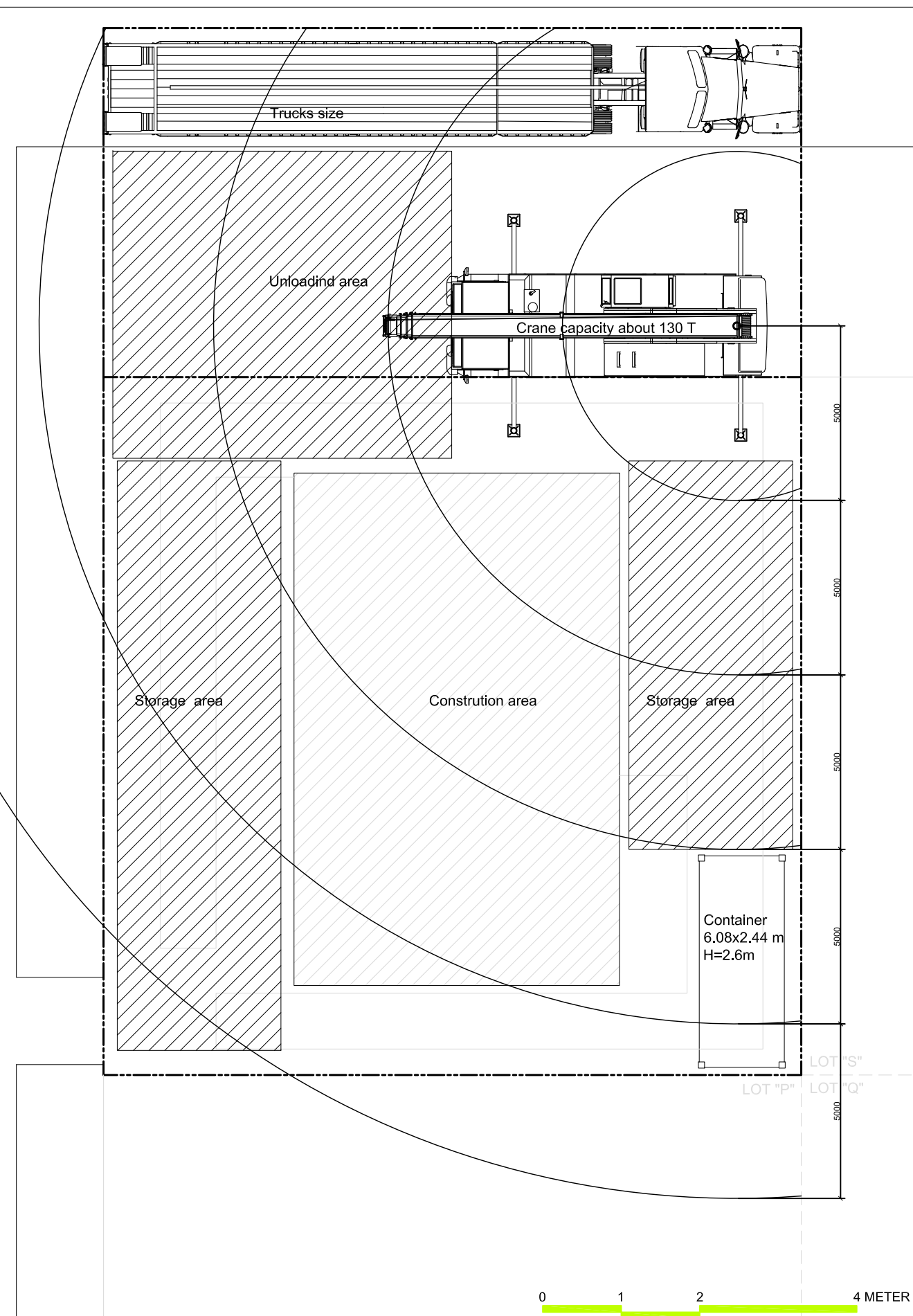
HEALTH AND SAFETY
DURING LOAD / UNLOAD

DWG. No.

HS-301

THE SAFETY PLAN AND COORDINATION PHASE

Plan of site



PROBLEM	RISKS	ADOPTED MEASURES
Implementation of the crane	Slam person	Markup Preparation of the operation by releasing space Use a rope to guide package
	Reversal of the crane	Information on resistance of the ground and underground structures
Lifting work	Fall of objects because of manipulation Fall of objects because they come loose Fall of person at a different level Fall of person at the same level	Construction safety for on-site workers Information on resistance of the ground and underground structures
	Clash of the crane or load by person or vehicle	Mark the area of evolution of the crane and load
Reversal of the crane	Reversal of the crane	Reprogram the electronic control for load after removal of the crane counterweight and verification of the program before any operation Electronic control for load active during removal operation
	Clean the lot	Remove the markings of the construction Remove the any waste in appropriate containers



Project:



Institution:



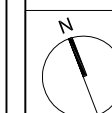
NCTU Architecture
國立交通大學建築研究所

Team Name: NCTU/UNICODE
Address: 1001 Ta-Hsueh Road
Hsinchu City 30010
Taiwan
Contact: www.sde.tw



Consultants:

Note:



Mark	Date	Description
DN	2013/04/01	SD Submission
DN	2013/07/01	DDc Submission
ST	2013/11/01	DD Submission

Drawn by	LC
Checked by	DN
Scale	1:150
Unit	mm

DWG. Title
HEALTH AND SAFETY DURING ASSEMBLY 1

DWG. No.
HS-401



Fall because of barriers



Fall of objects



Forklift way



Warning



Loading area



Don't stand under forklift



Authorized personnel only



Don't made fire



Don't run on worksite



Don't pass under load



First aid kit



Point of ressemblment



Fire extinguisher

Project:



Institution:



NCTU Architecture
國立交通大學建築研究所

Team Name: NCTU/UNICODE
Address: 1001 Ta-Hsueh Road
Hsinchu City 30010
Taiwan
Contact: www.sde.tw



Consultants:

Note:

Mark	Date	Description
DN	2013/04/01	SD Submission
DN	2013/07/01	DDc Submission
ST	2013/11/01	DD Submission

Drawn by LC
Checked by DN
Scale -
Unit -

DWG. Title
HEALTH AND SAFETY
DURING ASSEMBLY 2

DWG. No.
HS-402

!
**PPE MUST
BE WORN
ON THIS SITE**



HARD HAT



SAFETY GLASSES



REFLECTIVE JACKET



WORK CLOTHES



SAFETY GLOVES



SAFETY BOOTS



Project:



Institution:



NCTU Architecture
國立交通大學建築研究所

Team Name: NCTU/UNICODE

Address: 1001 Ta-Hsueh Road
Hsinchu City 30010
Taiwan

Contact: www.sde.tw



Consultants:

Note:

Mark	Date	Description
DN	2013/04/01	SD Submission
DN	2013/07/01	DDc Submission
ST	2013/11/01	DD Submission

Drawn by LC

Checked by DN

Scale -

Unit -

DWG. Title
**HEALTH AND SAFETY
DURING ASSEMBLY 3**

DWG. No.

HS-403

Project:



Institution:



NCTU Architecture
國立交通大學建築研究所

Team Name: NCTU/UNICODE
Address: 1001 Ta-Hsueh Road
Hsinchu City 30010
Taiwan
Contact: www.sde.tw



Consultants:

Note:

Mark	Date	Description
DN	2013/04/01	SD Submission
DN	2013/07/01	DDc Submission
ST	2013/11/01	DD Submission

Drawn by LC
Checked by DN
Scale -
Unit -

DWG. Title
HEALTH AND SAFETY DURING ASSEMBLY 4

DWG. No.

HS-404

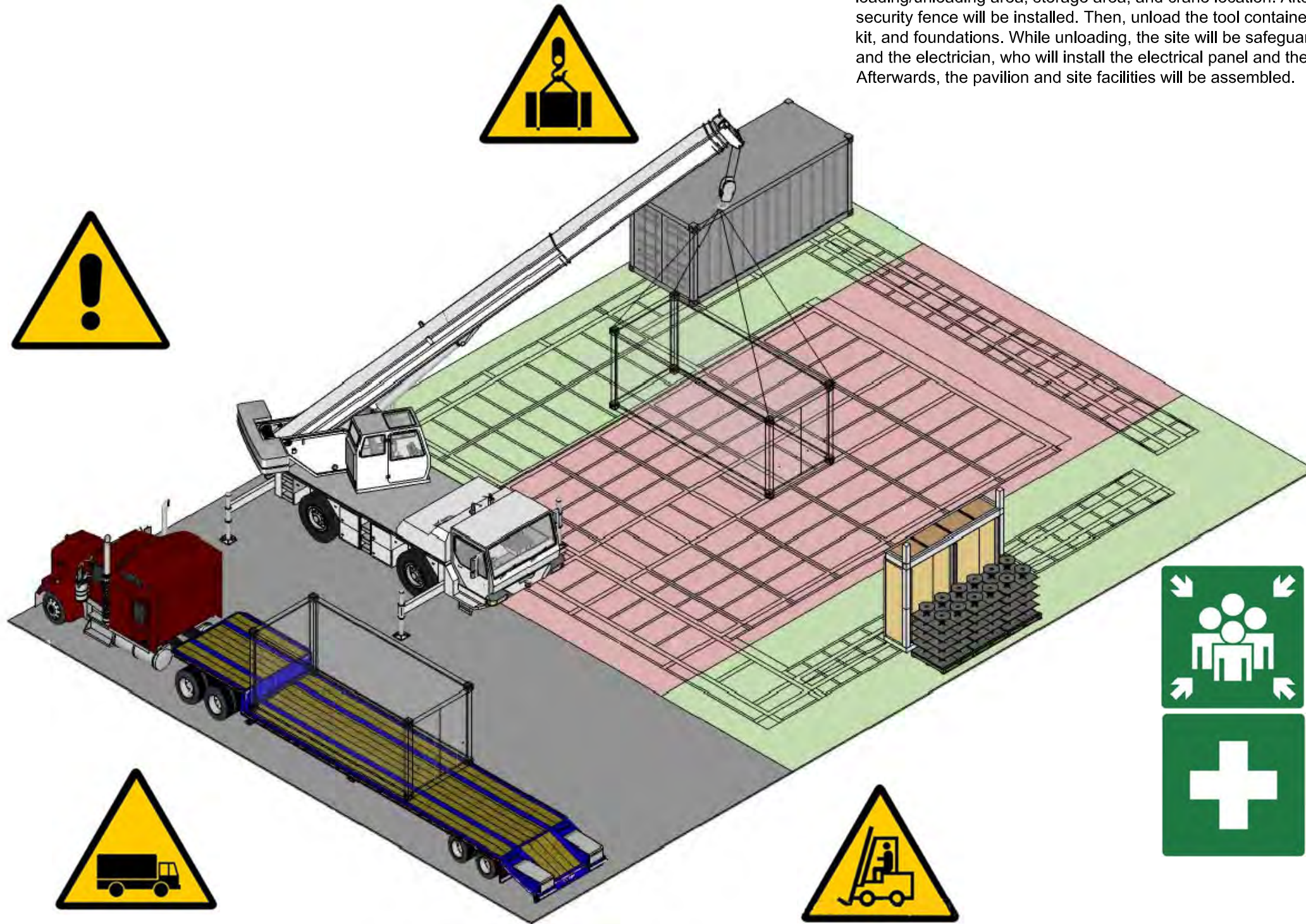
ALL SAFETY RULES MUST BE FOLLOWED



Where the worker are:
On the ground

Phase 1: Site preparation

First, all the boundary will be marked, such as construction site, loading/unloading area, storage area, and crane location. After the marking, the security fence will be installed. Then, unload the tool container, safety accessory kit, and foundations. While unloading, the site will be safeguarded by the team and the electrician, who will install the electrical panel and the spotlights. Afterwards, the pavilion and site facilities will be assembled.



Project:



Institution:



NCTU Architecture
國立交通大學建築研究所

Team Name: NCTU/UNICODE
Address: 1001 Ta-Hsueh Road
Hsinchu City 30010
Taiwan
Contact: www.sde.tw



Consultants:

Note:

Mark	Date	Description
DN	2013/04/01	SD Submission
DN	2013/07/01	DDc Submission
ST	2013/11/01	DD Submission

Drawn by: LC
Checked by: DN
Scale: -
Unit: -

DWG. Title
HEALTH AND SAFETY DURING ASSEMBLY 5

DWG. No.

HS-405

ALL SAFETY RULES MUST BE FOLLOWED

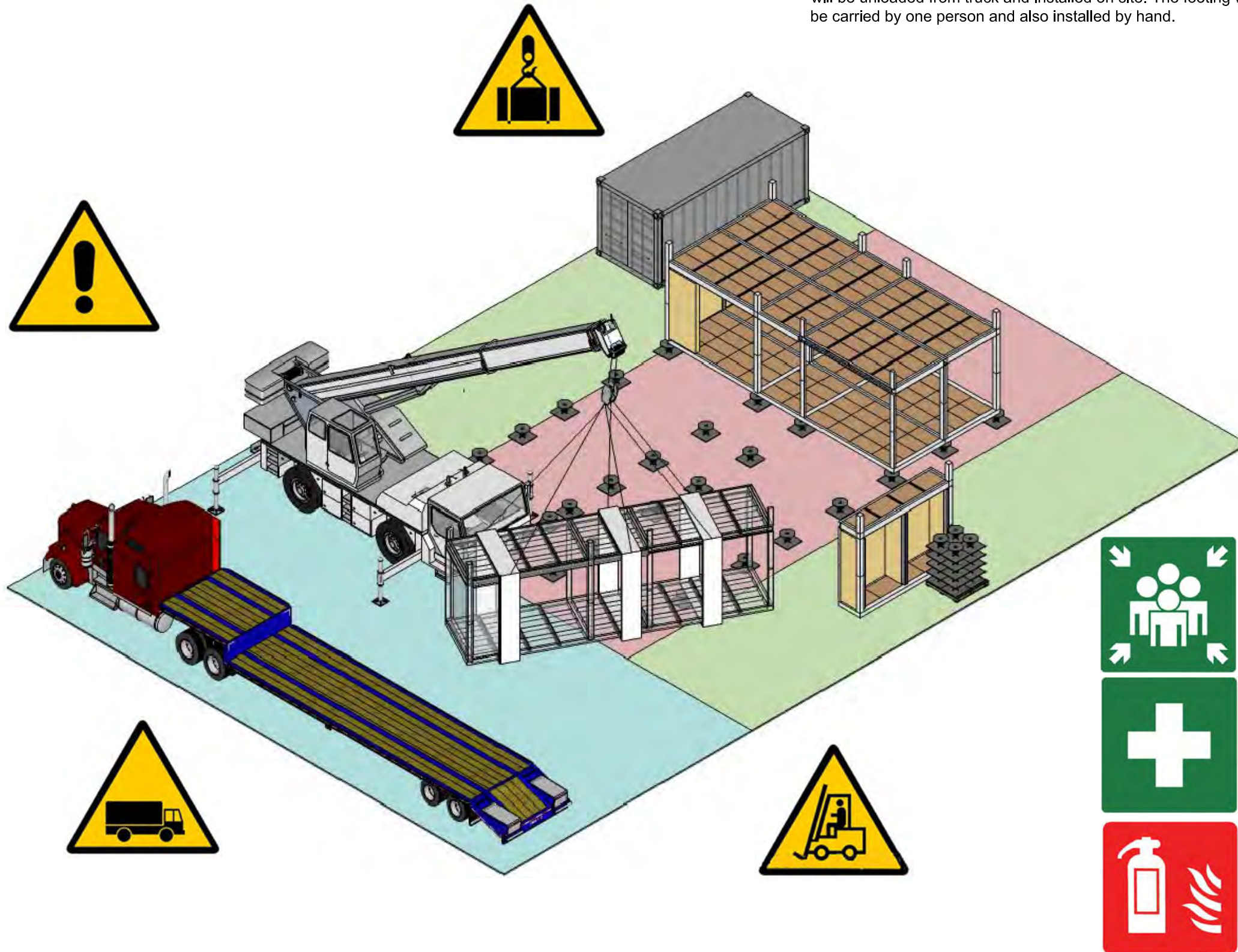


Where the worker are:

On the ground
In the house

Phase 2: Establishment of the module unit

After the foundation footings are properly installed and leveled, the module units will be unloaded from truck and installed on site. The footing weight is design to be carried by one person and also installed by hand.



Project:



Institution:



NCTU Architecture
國立交通大學建築研究所

Team Name: NCTU/UNICODE
Address: 1001 Ta-Hsueh Road
Hsinchu City 30010
Taiwan
Contact: www.sde.tw



Consultants:

Note:

Mark	Date	Description
DN	2013/04/01	SD Submission
DN	2013/07/01	DDc Submission
ST	2013/11/01	DD Submission

Drawn by: LC
Checked by: DN
Scale: -
Unit: -

DWG. Title
HEALTH AND SAFETY DURING ASSEMBLY 6

DWG. No.

HS-406

ALL SAFETY RULES MUST BE FOLLOWED

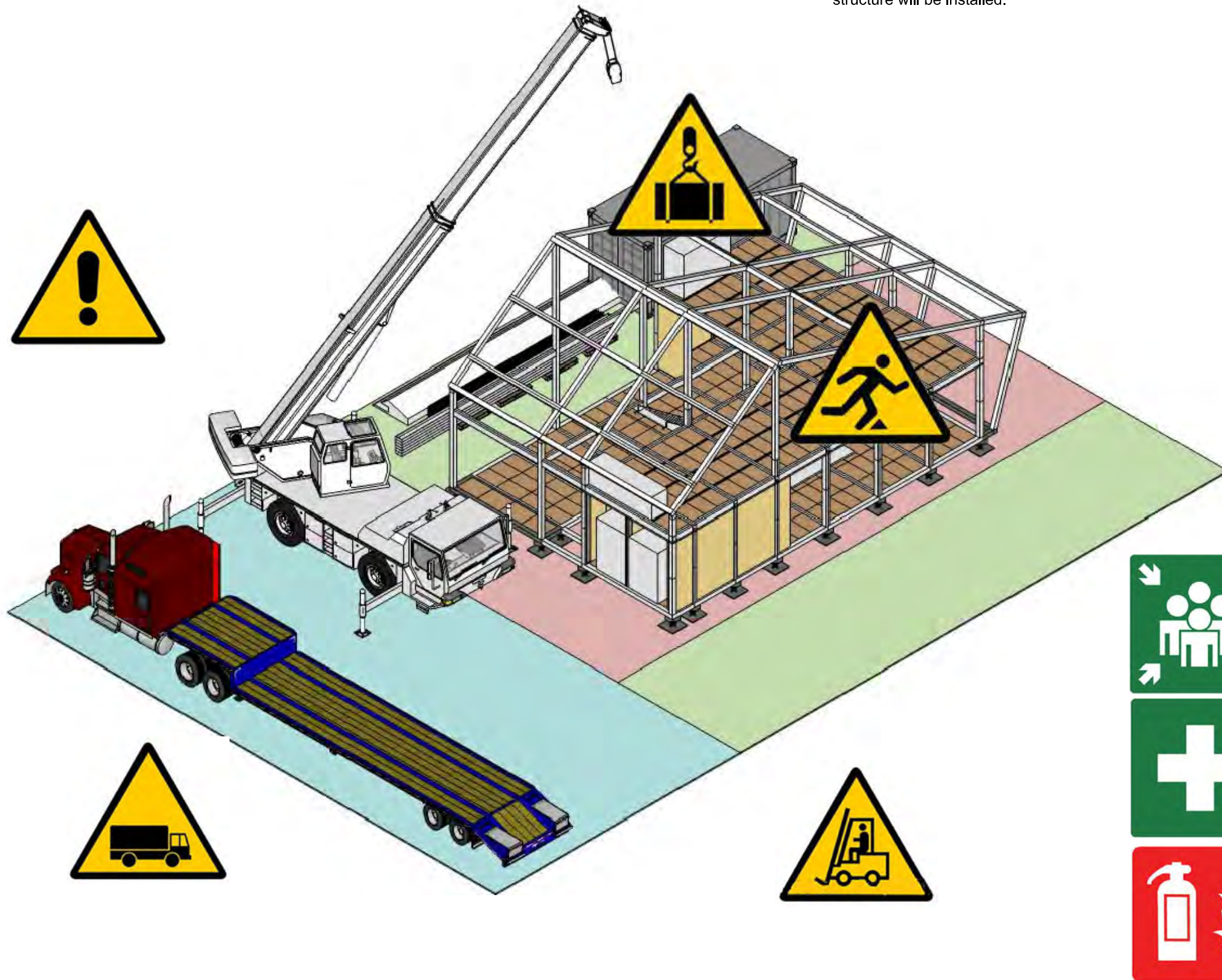


Where the worker are:

- On the ground
- In the house
- On the mezzanine floor

Phase 3: Installation of the main structure

After the 7 basic structural modules are installed on site, the roof supporting structure will be installed.



Project:



Institution:



NCTU Architecture
國立交通大學建築研究所

Team Name: NCTU/UNICODE

Address: 1001 Ta-Hsueh Road
Hsinchu City 30010
Taiwan

Contact: www.sde.tw



Consultants:

Note:

Mark	Date	Description
DN	2013/04/01	SD Submission
DN	2013/07/01	DDc Submission
ST	2013/11/01	DD Submission

Drawn by LC

Checked by DN

Scale -

Unit -

DWG. Title
HEALTH AND SAFETY DURING ASSEMBLY 7

DWG. No.

HS-407

ALL SAFETY RULES MUST BE FOLLOWED

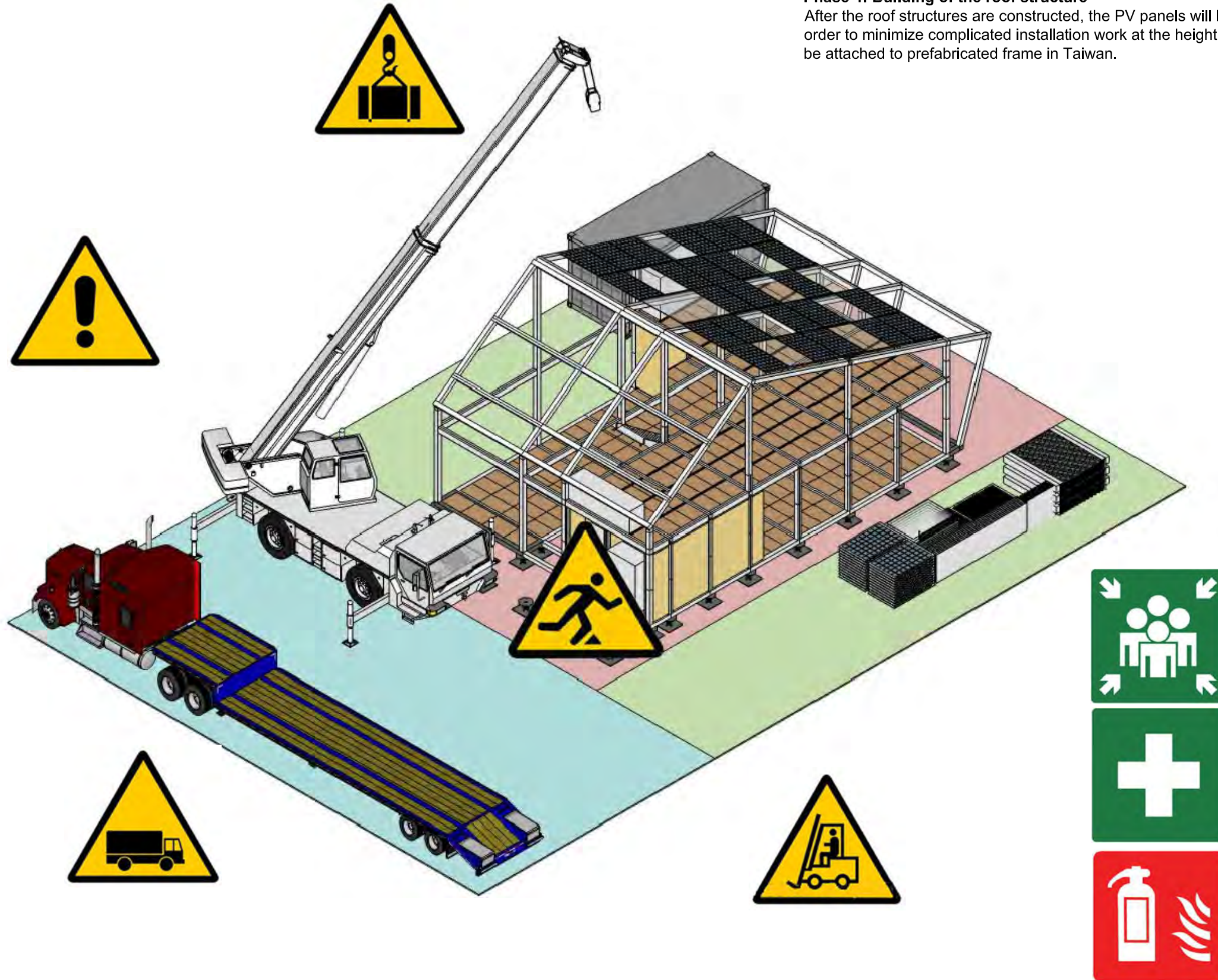


Where the worker are:

- On the ground
- In the house
- On the mezzanine floor
- On the floor

Phase 4: Building of the roof structure

After the roof structures are constructed, the PV panels will be installed. In order to minimize complicated installation work at the height, 8 PV panels will be attached to prefabricated frame in Taiwan.



Project:



Institution:



NCTU Architecture
國立交通大學建築研究所

Team Name: NCTU/UNICODE
Address: 1001 Ta-Hsueh Road
Hsinchu City 30010
Taiwan
Contact: www.sde.tw



Consultants:

Note:

Mark	Date	Description
DN	2013/04/01	SD Submission
DN	2013/07/01	DDc Submission
ST	2013/11/01	DD Submission

Drawn by: LC
Checked by: DN
Scale: -
Unit: -

DWG. Title
HEALTH AND SAFETY DURING ASSEMBLY 8

DWG. No.

HS-408

ALL SAFETY RULES MUST BE FOLLOWED

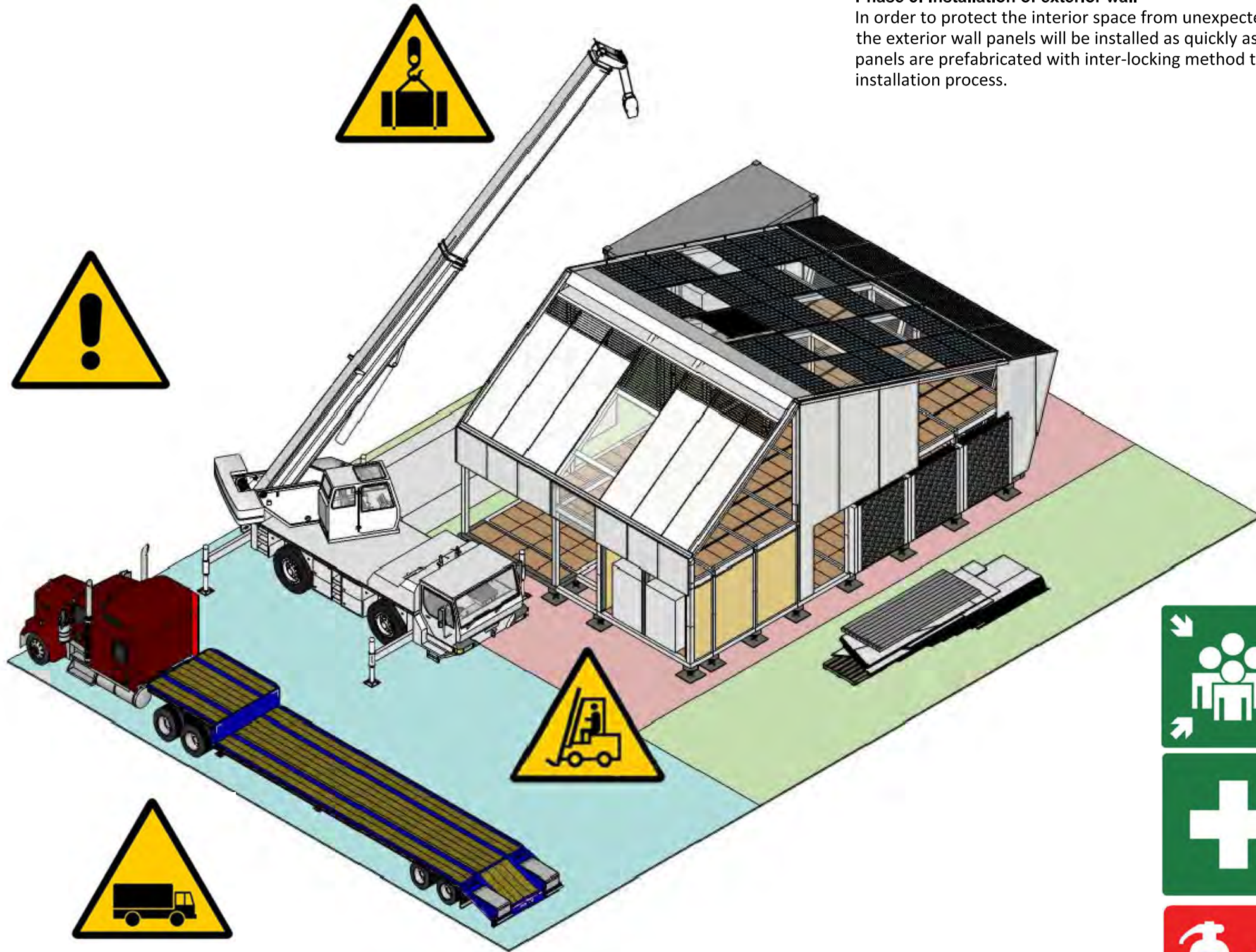


Where the worker are:

- On the ground
- In the house
- On the mezzanine floor
- On the roof

Phase 5: Installation of exterior wall

In order to protect the interior space from unexpected weather condition, the exterior wall panels will be installed as quickly as possible. Most of the panels are prefabricated with inter-locking method to eliminate complicated installation process.





Mark	Date	Description
DN	2013/04/01	SD Submission
DN	2013/07/01	DDc Submission
ST	2013/11/01	DD Submission

ALL SAFETY RULES MUST BE FOLLOWED

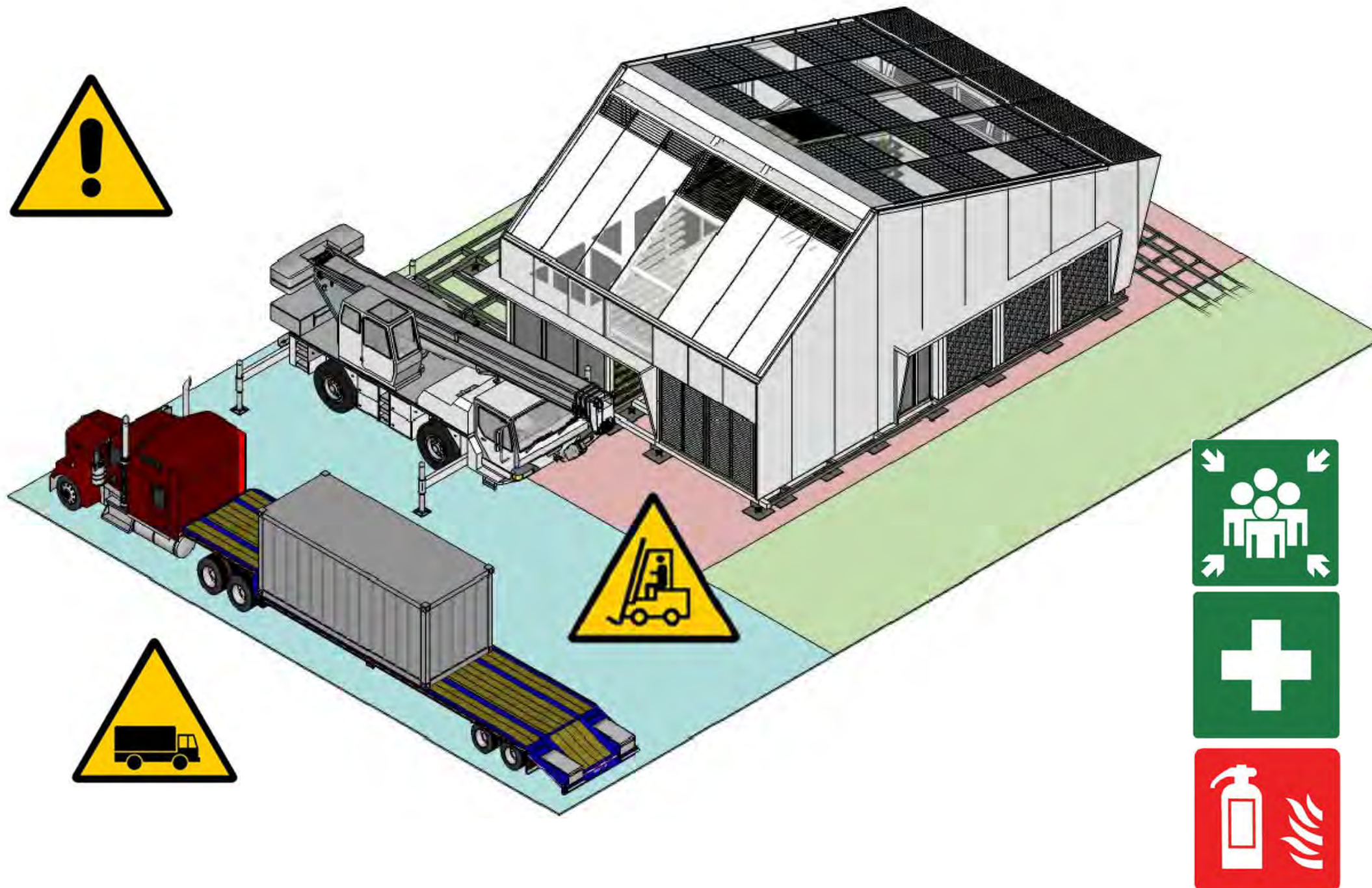


Where the worker are:

On the ground
In the house

Phase 6: Installation of floors and windows

After the exterior walls are sealed, the window frames and floor panels will be installed. In order to minimize risk of installing heavy glazing material, the light weight clear polycarbonate 10mm sheets will be installed.



Project:



Institution:



NCTU Architecture
國立交通大學建築研究所

Team Name: NCTU/UNICODE

Address: 1001 Ta-Hsueh Road
Hsinchu City 30010
Taiwan

Contact: www.sde.tw



Consultants:

Note:

Mark	Date	Description
DN	2013/04/01	SD Submission
DN	2013/07/01	DDc Submission
ST	2013/11/01	DD Submission

Drawn by LC

Checked by DN

Scale -

Unit -

DWG. Title
HEALTH AND SAFETY DURING ASSEMBLY 10

DWG. No.

HS-410

ALL SAFETY RULES MUST BE FOLLOWED

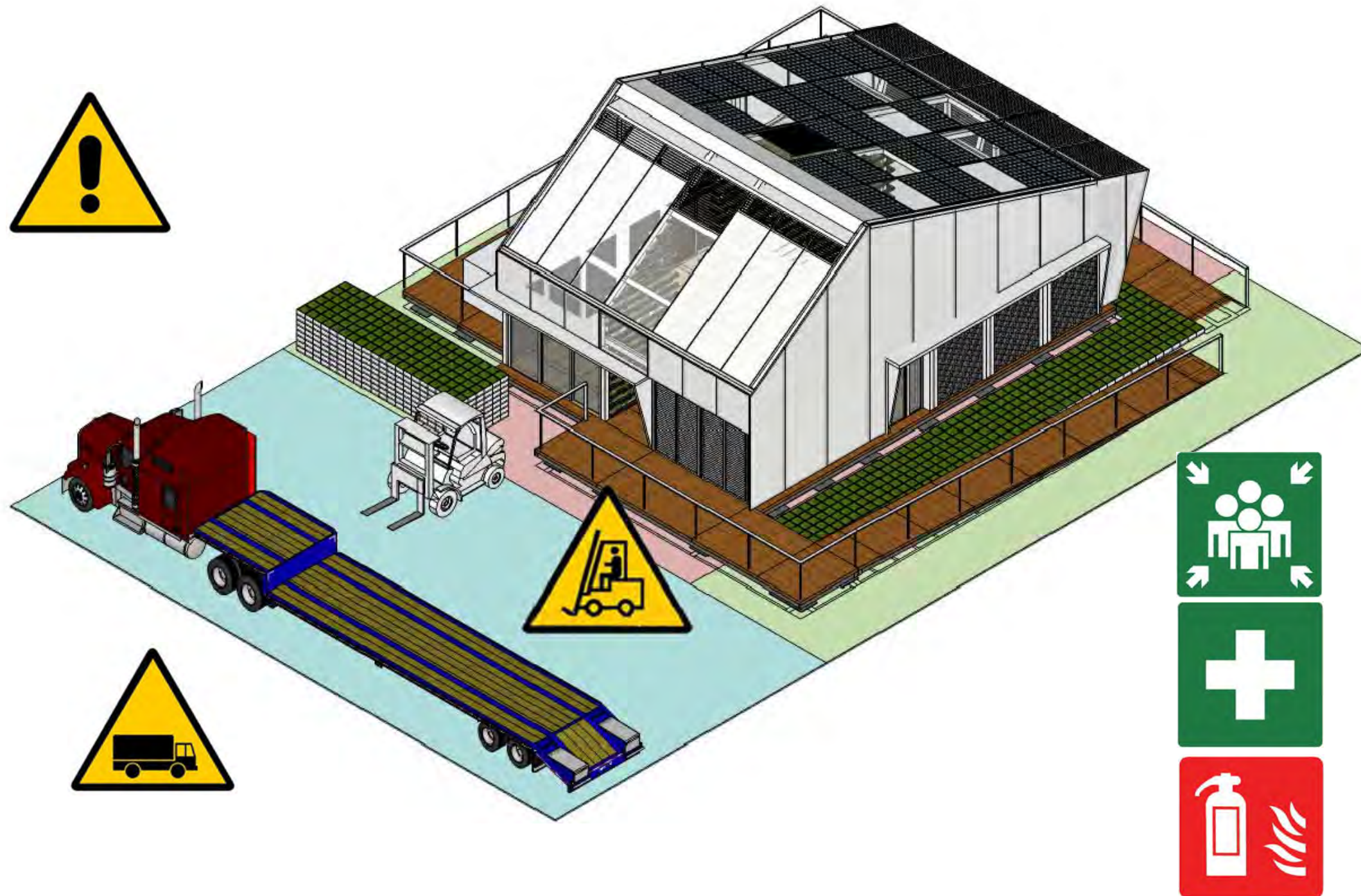


Where the worker are:

On the ground
In the house

Phase 7: Installation of the furniture and planting

After installing all the house components, the wood deck and furniture will be installed. Also planters along the deck and information support for the public will installed.



Project:



Institution:



NCTU Architecture
國立交通大學建築研究所

Team Name: NCTU/UNICODE
Address: 1001 Ta-Hsueh Road
Hsinchu City 30010
Taiwan
Contact: www.sde.tw



Consultants:

Note:

Mark	Date	Description
DN	2013/04/01	SD Submission
DN	2013/07/01	DDc Submission
ST	2013/11/01	DD Submission

Drawn by: LC
Checked by: DN
Scale: -
Unit: -

DWG. Title
HEALTH AND SAFETY DURING ASSEMBLY 11

DWG. No.
HS-411

ALL SAFETY RULES MUST BE FOLLOWED



Where the worker are:

On the ground
In the house

Phase 8: Cleaning of the construction site and test of the house

First, the tool container, safety accessory kit, and fences and markers will be loaded on a truck to clean the site. To assure the public safety, the danger zone will be sealed off by the team members.

After cleaning the site, the house function will be tested.



Project:



Institution:



NCTU Architecture
國立交通大學建築研究所

Team Name: NCTU/UNICODE

Address: 1001 Ta-Hsueh Road
Hsinchu City 30010
Taiwan

Contact: www.sde.tw



Consultants:

Note:

Mark	Date	Description
DN	2013/04/01	SD Submission
DN	2013/07/01	DDc Submission
ST	2013/11/01	DD Submission

Drawn by LC

Checked by DN

Scale -

Unit -

DWG. Title
**HEALTH AND SAFETY
DURING DISASSEMBLY 1**

DWG. No.

HS-412

ALL SAFETY RULES MUST BE FOLLOWED

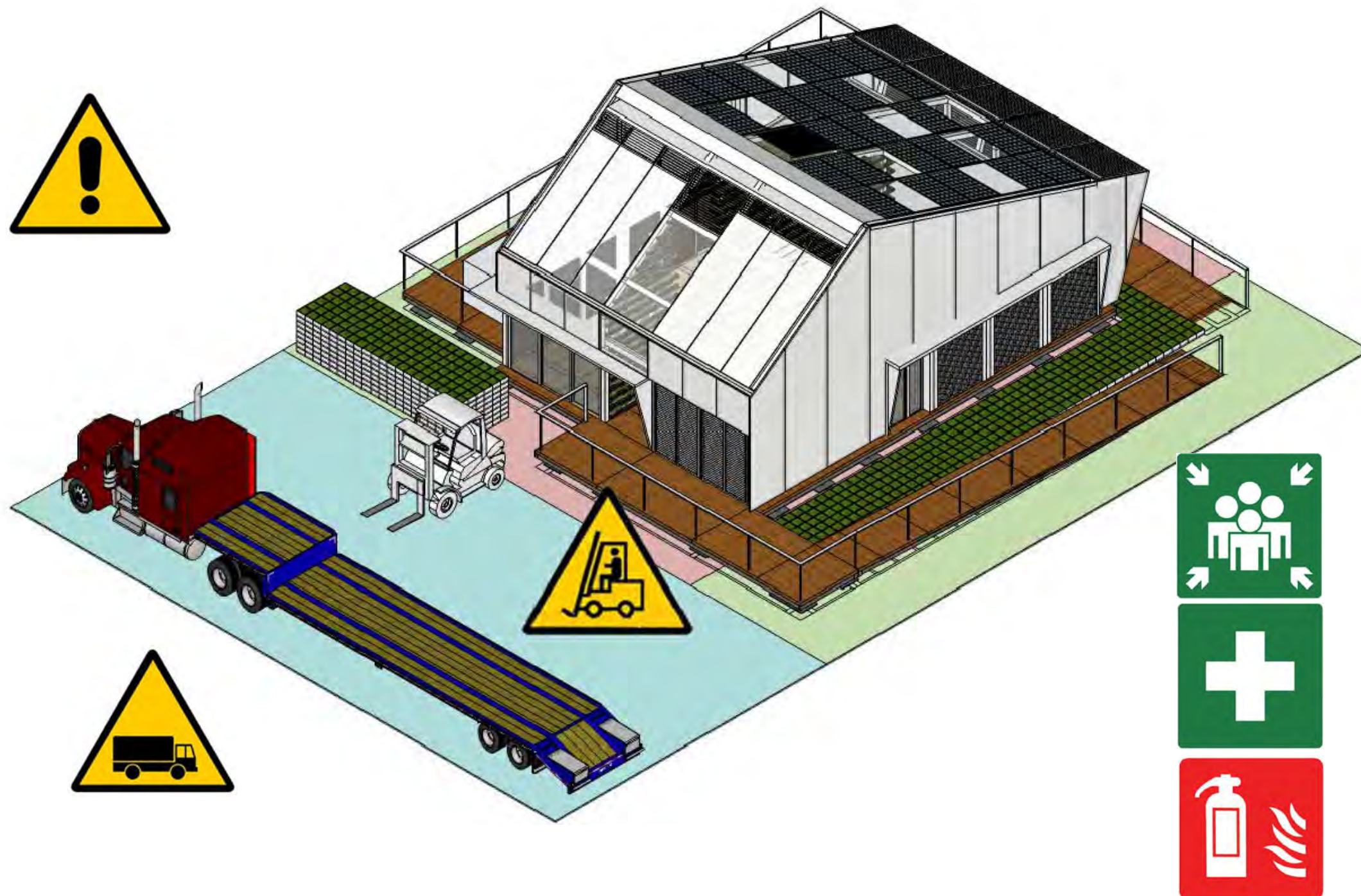


Where the worker are:

On the ground
In the house

Phase 9: Disassembly of the furniture and planting

First, the all movable interior components of the house will be wrapped and stored. Afterwards, the planting pods and wood deck will be removed.



Project:



Institution:



NCTU Architecture
國立交通大學建築研究所

Team Name: NCTU/UNICODE

Address: 1001 Ta-Hsueh Road
Hsinchu City 30010
Taiwan

Contact: www.sde.tw



Consultants:

Note:

Mark	Date	Description
DN	2013/04/01	SD Submission
DN	2013/07/01	DDc Submission
ST	2013/11/01	DD Submission

Drawn by LC

Checked by DN

Scale -

Unit -

DWG. Title
HEALTH AND SAFETY DURING DISASSEMBLY 2

DWG. No.

HS-413

ALL SAFETY RULES MUST BE FOLLOWED

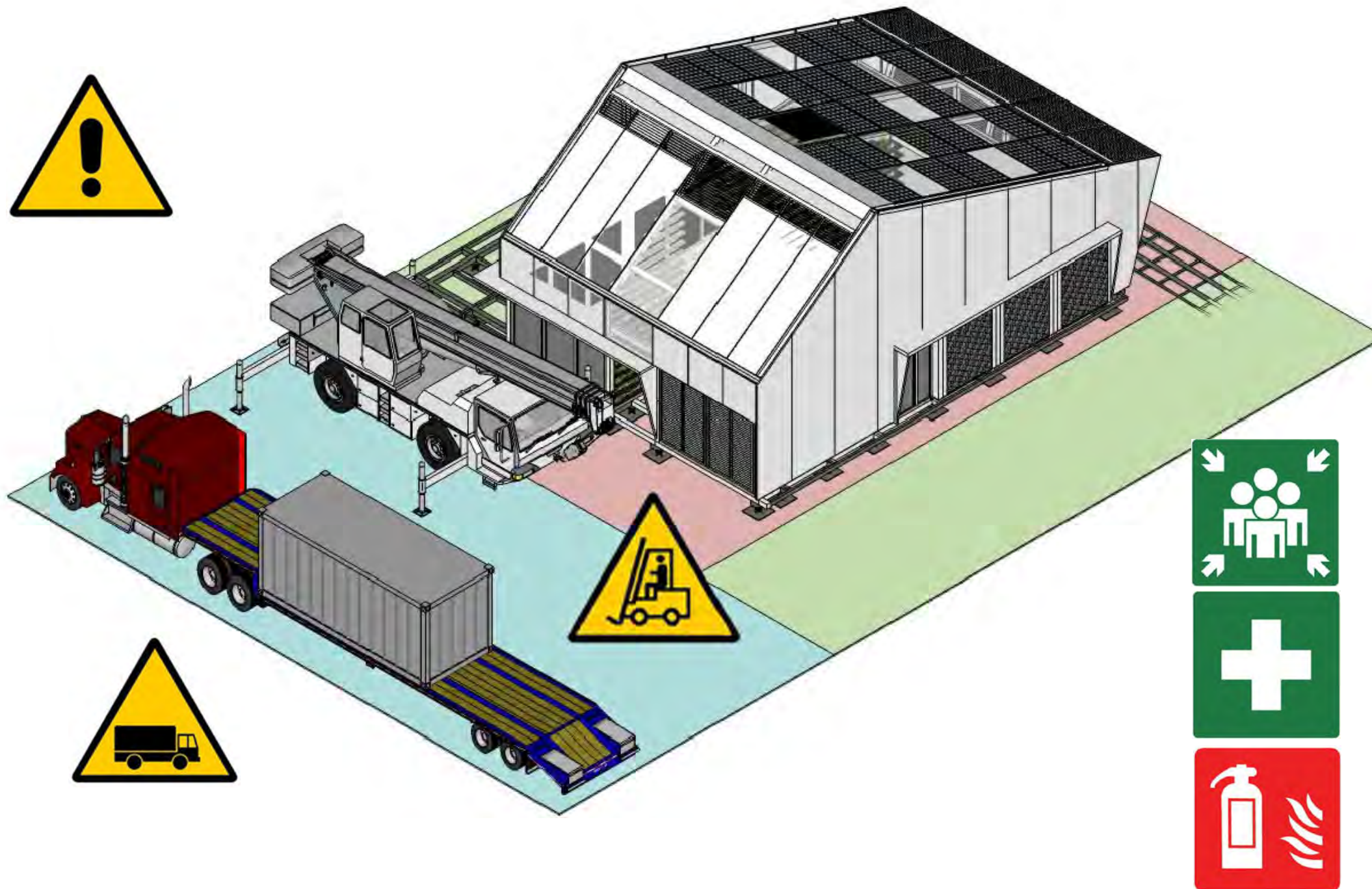


Where the worker are:

On the ground
In the house

Phase 10: Disassembly of floors and windows

All the floor panels will be removed first and then window frames will be detached.



Project:



Institution:



NCTU Architecture
國立交通大學建築研究所

Team Name: NCTU/UNICODE

Address: 1001 Ta-Hsueh Road
Hsinchu City 30010
Taiwan

Contact: www.sde.tw



Consultants:

Note:

Mark	Date	Description
DN	2013/04/01	SD Submission
DN	2013/07/01	DDc Submission
ST	2013/11/01	DD Submission

Drawn by LC

Checked by DN

Scale -

Unit -

DWG. Title
HEALTH AND SAFETY DURING DISASSEMBLY 3

DWG. No.

HS-414

ALL SAFETY RULES MUST BE FOLLOWED

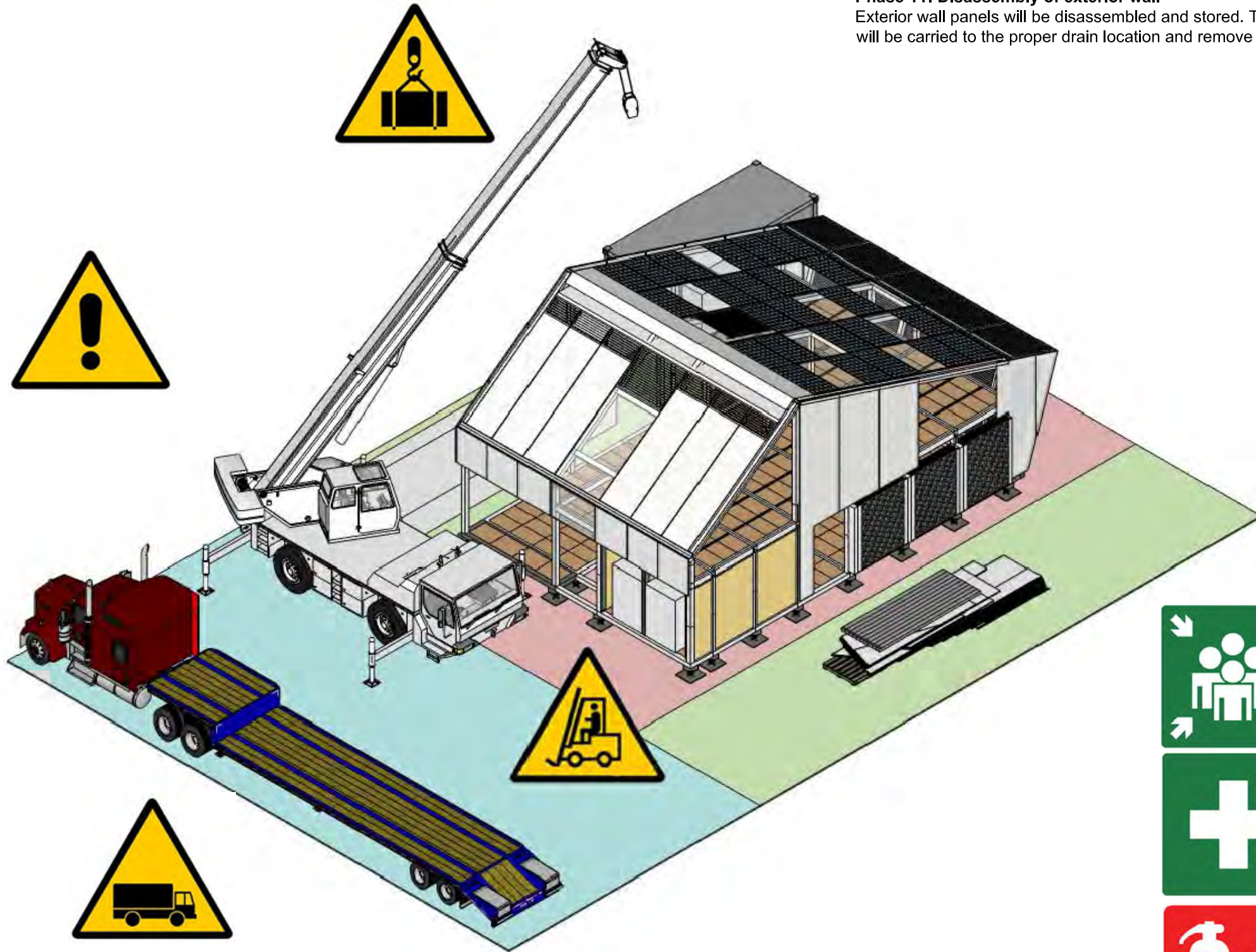


Where the worker are:

- On the ground
- In the house
- On the mezzanine floor
- On the roof

Phase 11: Disassembly of exterior wall

Exterior wall panels will be disassembled and stored. The thermal mass water will be carried to the proper drain location and remove all the water.



Project:



Institution:



NCTU Architecture
國立交通大學建築研究所

Team Name: NCTU/UNICODE
Address: 1001 Ta-Hsueh Road
Hsinchu City 30010
Taiwan
Contact: www.sde.tw



Consultants:

Note:

Mark	Date	Description
DN	2013/04/01	SD Submission
DN	2013/07/01	DDc Submission
ST	2013/11/01	DD Submission

Drawn by: LC
Checked by: DN
Scale: -
Unit: -

DWG. Title
**HEALTH AND SAFETY
DURING DISASSEMBLY 4**

DWG. No.

HS-415

ALL SAFETY RULES MUST BE FOLLOWED

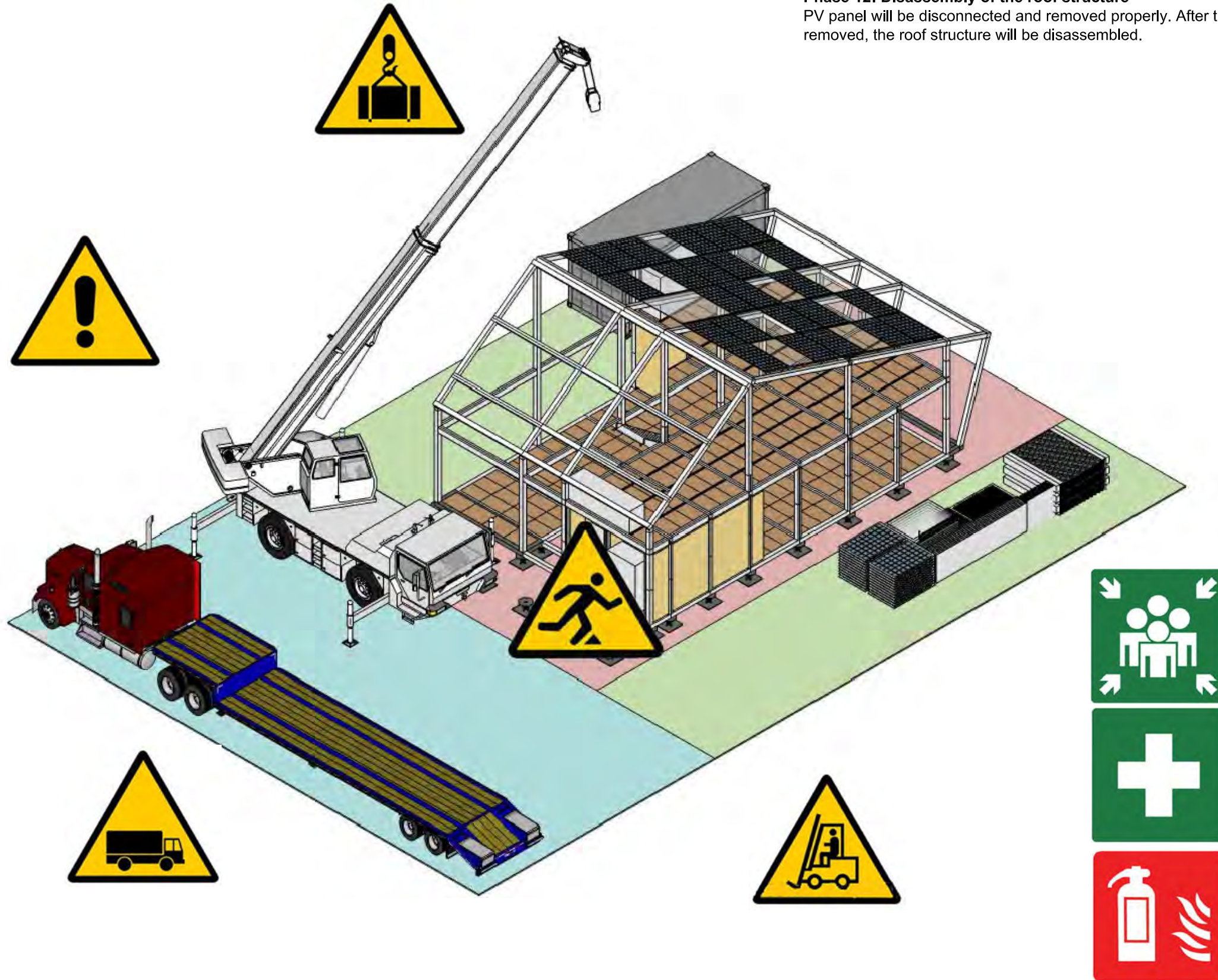


Where the worker are:

- On the ground
- In the house
- On the mezzanine floor
- On the floor

Phase 12: Disassembly of the roof structure

PV panel will be disconnected and removed properly. After the PV panels are removed, the roof structure will be disassembled.



Project:



Institution:



NCTU Architecture
國立交通大學建築研究所

Team Name: NCTU/UNICODE
Address: 1001 Ta-Hsueh Road
Hsinchu City 30010
Taiwan
Contact: www.sde.tw



Consultants:

Note:

Mark	Date	Description
DN	2013/04/01	SD Submission
DN	2013/07/01	DDc Submission
ST	2013/11/01	DD Submission

Drawn by: LC
Checked by: DN
Scale: -
Unit: -

DWG. Title
HEALTH AND SAFETY DURING DISASSEMBLY 5

DWG. No.

HS-416

ALL SAFETY RULES MUST BE FOLLOWED

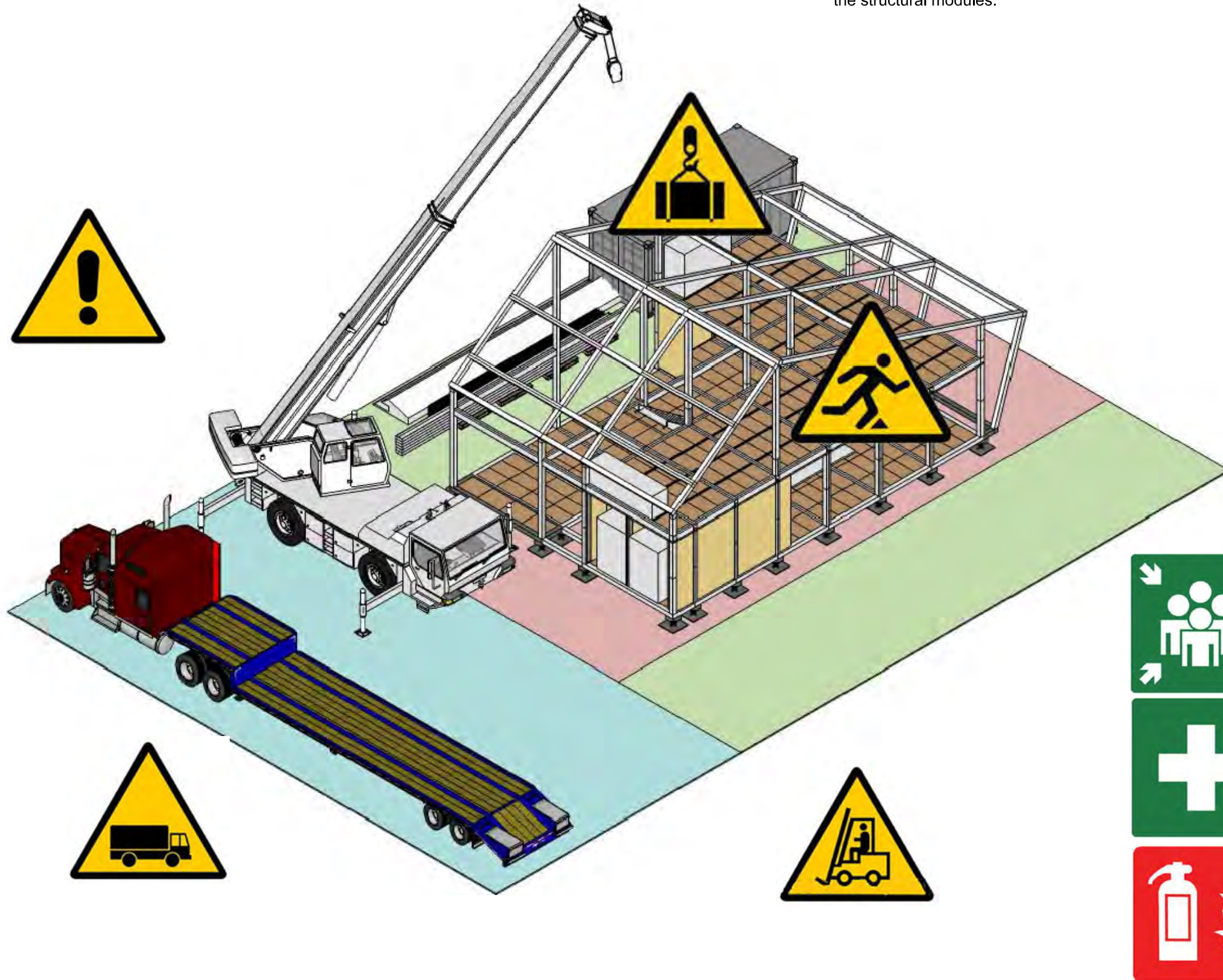


Where the worker are:

- On the ground
- In the house
- On the mezzanine floor

Phase 13: Disassembly of the main structure

First, the roof beams will be removed and then the columns are detached from the structural modules.



Project:



Institution:



NCTU Architecture
國立交通大學建築研究所

Team Name: NCTU/UNICODE
Address: 1001 Ta-Hsueh Road
Hsinchu City 30010
Taiwan
Contact: www.sde.tw



Consultants:

Note:

Mark	Date	Description
DN	2013/04/01	SD Submission
DN	2013/07/01	DDc Submission
ST	2013/11/01	DD Submission

Drawn by: LC
Checked by: DN
Scale: -
Unit: -

DWG. Title
HEALTH AND SAFETY DURING DISASSEMBLY 6

DWG. No.

HS-417

ALL SAFETY RULES MUST BE FOLLOWED

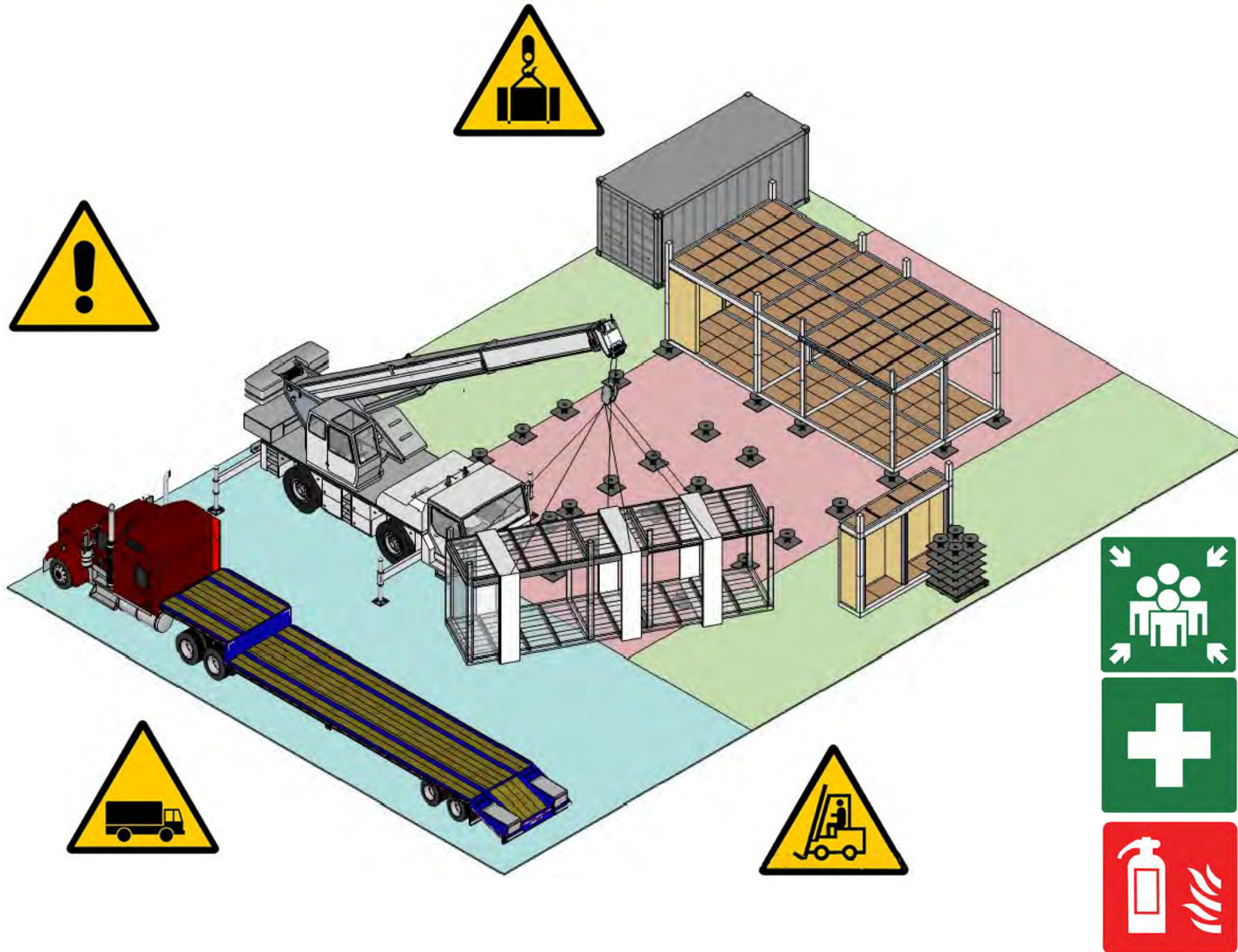


Where the worker are:

On the ground
In the house

Phase 14: Disassembly of the module unit

The 7 structural modules are disassembled and loaded to the truck straight.



Project:



Institution:



NCTU Architecture
國立交通大學建築研究所

Team Name: NCTU/UNICODE

Address: 1001 Ta-Hsueh Road
Hsinchu City 30010
Taiwan

Contact: www.sde.tw



Consultants:

Note:

Mark	Date	Description
DN	2013/04/01	SD Submission
DN	2013/07/01	DDc Submission
ST	2013/11/01	DD Submission

Drawn by LC

Checked by DN

Scale -

Unit -

DWG. Title
**HEALTH AND SAFETY
DURING DISASSEMBLY 7**

DWG. No.

HS-418

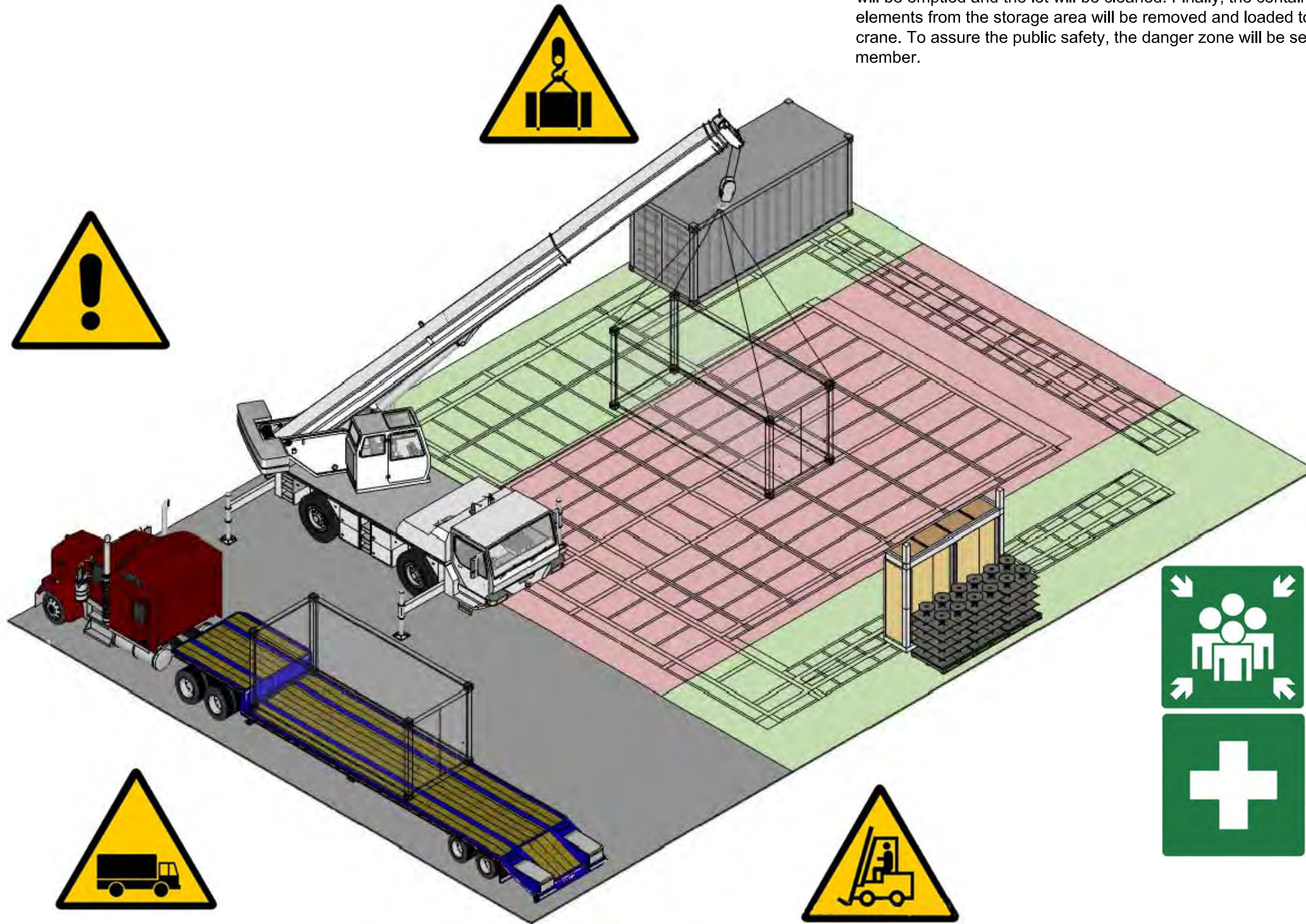
ALL SAFETY RULES MUST BE FOLLOWED



Where the worker are:
On the ground

Phase 15: Disassembling site facilities and cleaning

The house facilities will be dismantled and stored in the container. The waste will be emptied and the lot will be cleaned. Finally, the container and the elements from the storage area will be removed and loaded to the truck by crane. To assure the public safety, the danger zone will be sealed by the team member.



Project:



Institution:



NCTU Architecture
國立交通大學建築研究所

Team Name: NCTU/UNICODE

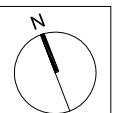
Address: 1001 Ta-Hsueh Road
Hsinchu City 30010
Taiwan

Contact: www.sde.tw



Consultants:

Note:



Mark	Date	Description
DN	2013/04/01	SD Submission
DN	2013/07/01	DDc Submission
ST	2013/11/01	DD Submission

Drawn by: DN

Checked by: DN

Scale: 1:100

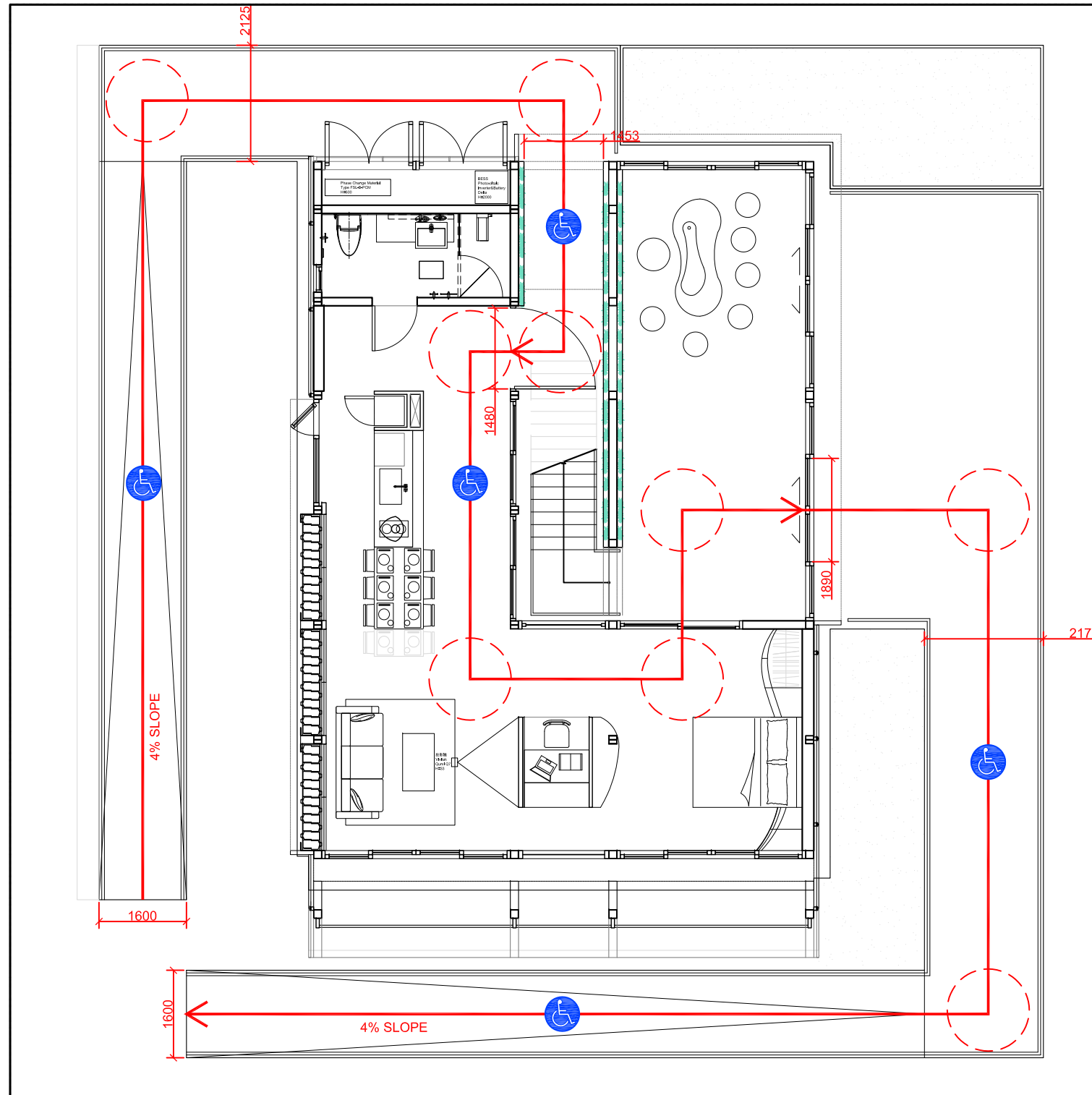
Unit: mm

DWG. Title

SITE ACCESSIBILITY PLAN

DWG. No.

PT-001



Project:



Institution:



NCTU Architecture
國立交通大學建築研究所

Team Name: NCTU/UNICODE
Address: 1001 Ta-Hsueh Road
Hsinchu City 30010
Taiwan
Contact: www.sde.tw



Consultants:

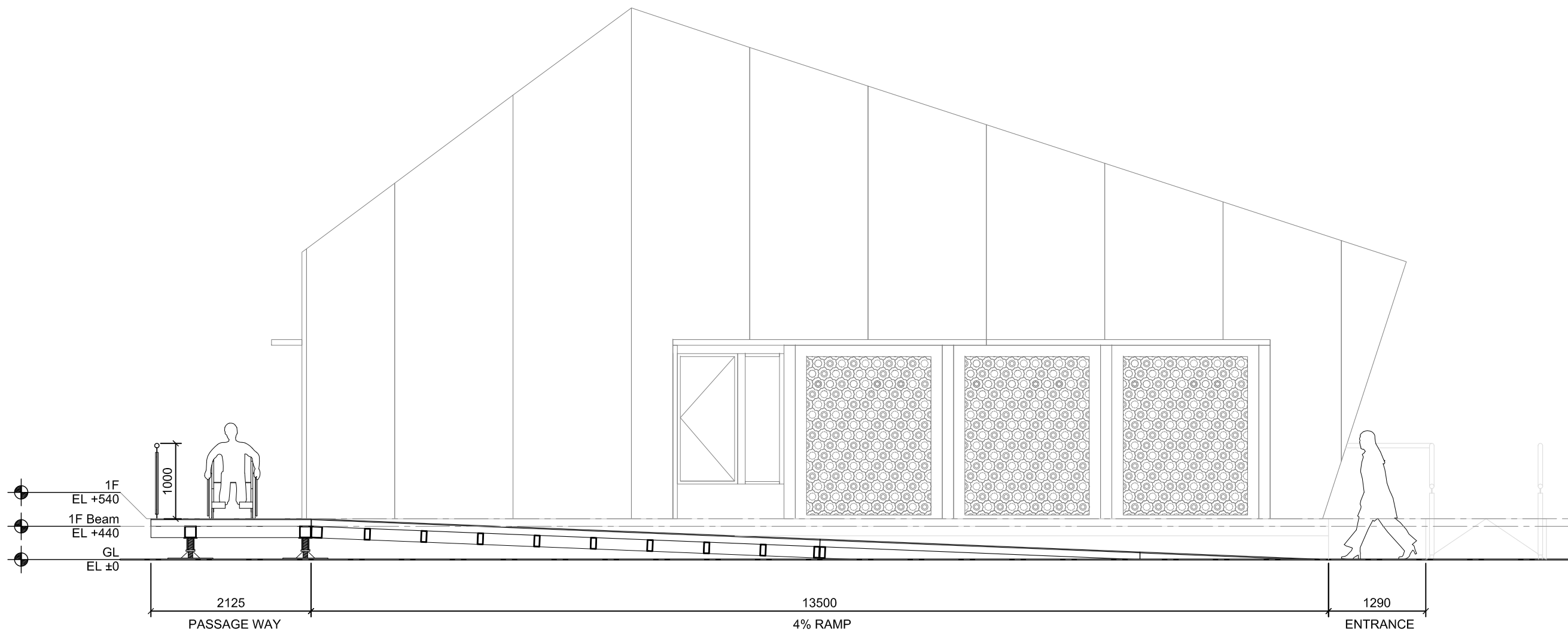
Note:

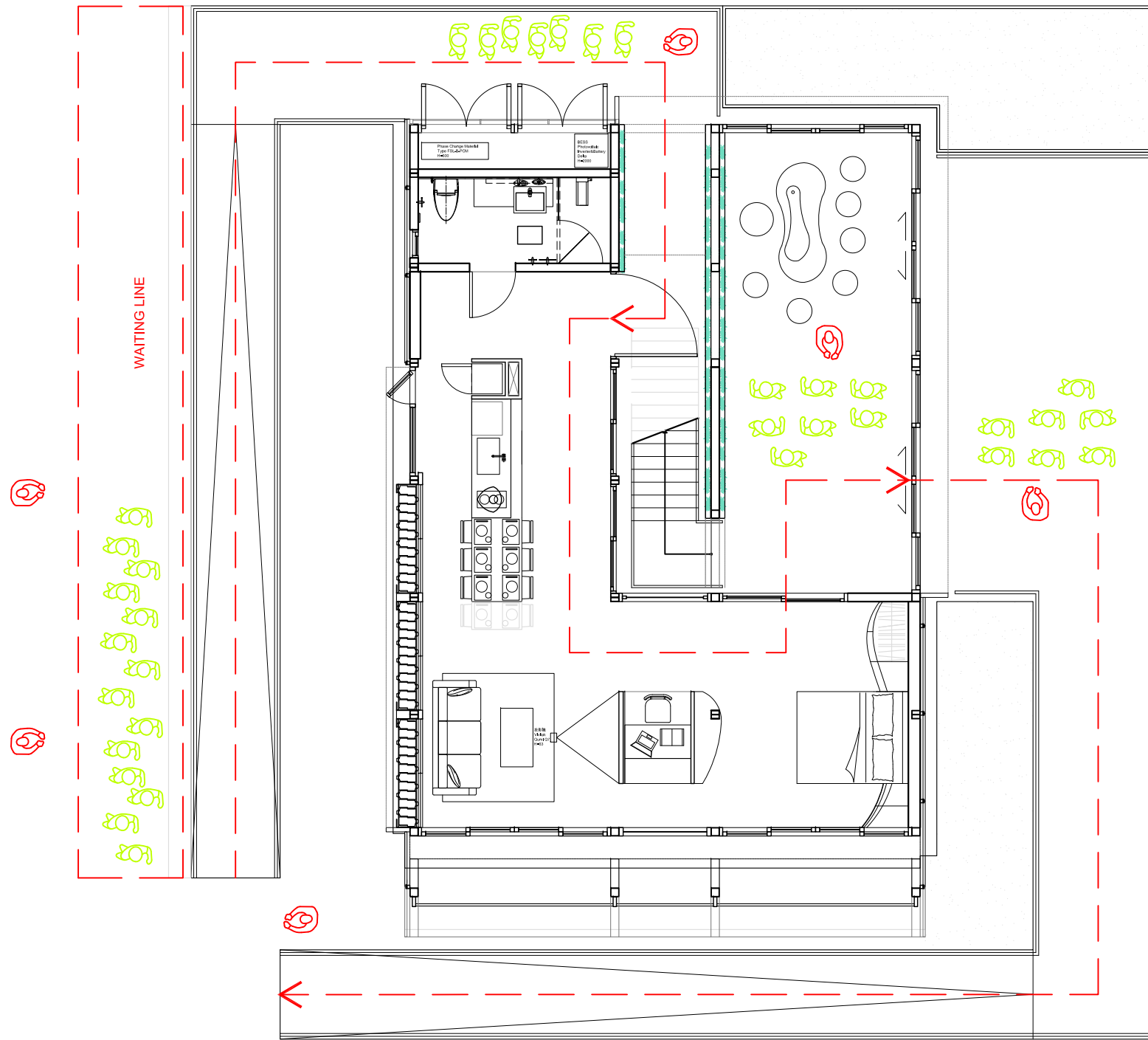
Mark	Date	Description
DN	2013/04/01	SD Submission
DN	2013/07/01	DDc Submission
ST	2013/11/01	DD Submission

Drawn by	DN
Checked by	DN
Scale	1:60
Unit	mm

DWG. Title
**SITE ACCESSIBILITY
ELEVATION**

DWG. No.
PT-002





Project:



Institution:



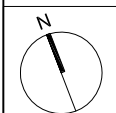
NCTU Architecture
國立交通大學建築研究所

Team Name: NCTU/UNICODE
Address: 1001 Ta-Hsueh Road
Hsinchu City 30010
Taiwan
Contact: www.sde.tw



Consultants:

Note:



Mark	Date	Description
DN	2013/04/01	SD Submission
DN	2013/07/01	DDc Submission
ST	2013/11/01	DD Submission

Drawn by: DN
Checked by: DN
Scale: 1:100
Unit: mm

DWG. Title
HOUSE TOUR PLAN

DWG. No.
PT-101



Project:



Institution:



NCTU Architecture
國立交通大學建築研究所

Team Name: NCTU/UNICODE

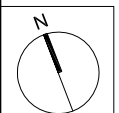
Address: 1001 Ta-Hsueh Road
Hsinchu City 30010
Taiwan

Contact: www.sde.tw



Consultants:

Note:



Mark	Date	Description
DN	2013/04/01	SD Submission
DN	2013/07/01	DDc Submission
ST	2013/11/01	DD Submission

Drawn by: DN

Checked by: DN

Scale: 1:100

Unit: MM

DWG. Title

HOUSE TOUR GENERAL
INFORMATION

DWG. No.

PT-201

1. First Impressions
2. Poster
3. Line Started
4. Photoshot .1
5. Machine system
6. Entrance & Green Core
7. Kitchen & Bathroom
8. Livingroom & Thermal Mass
9. Bedroom & Workstation
10. Exhibition & Green Core system
11. Photoshot .2 & Garden
12. Photoshot 3 & Garden
13. Green House planing
14. Get the vote Card

