



(19) **United States**

(12) **Patent Application Publication**
CHIOU et al.

(10) **Pub. No.: US 2017/0257097 A1**
(43) **Pub. Date: Sep. 7, 2017**

(54) **IMPEDANCE-TO-DIGITAL CONVERTER, IMPEDANCE-TO-DIGITAL CONVERTING DEVICE, AND METHOD FOR ADJUSTMENT OF IMPEDANCE-TO-DIGITAL CONVERTING DEVICE**

(30) **Foreign Application Priority Data**
Dec. 4, 2015 (TW) 104140663

(71) Applicant: **NATIONAL CHIAO TUNG UNIVERSITY**, Hsinchu City (TW)

Publication Classification
(51) **Int. Cl.**
H03K 19/00 (2006.01)
(52) **U.S. Cl.**
CPC **H03K 19/0005** (2013.01)

(72) Inventors: **Jin-Chern CHIOU**, Hsinchu City (TW); **Shun-Hsi HSU**, Hsinchu City (TW)

(21) Appl. No.: **15/602,208**

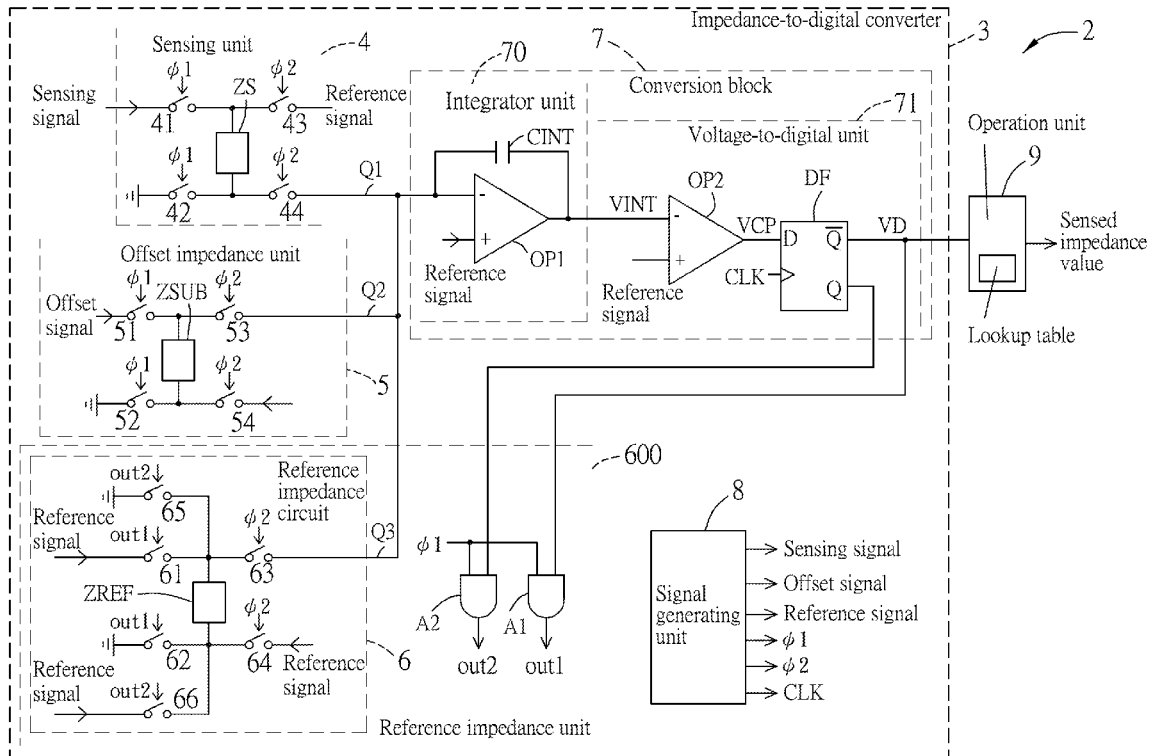
(57) **ABSTRACT**

(22) Filed: **May 23, 2017**

Related U.S. Application Data

(63) Continuation-in-part of application No. 15/259,187, filed on Sep. 8, 2016, now Pat. No. 9,716,498.

An impedance-to-digital converter is provided. A sensible impedance range of the impedance-to-digital converter is adjustable by changing magnitudes of signals inputted thereto.



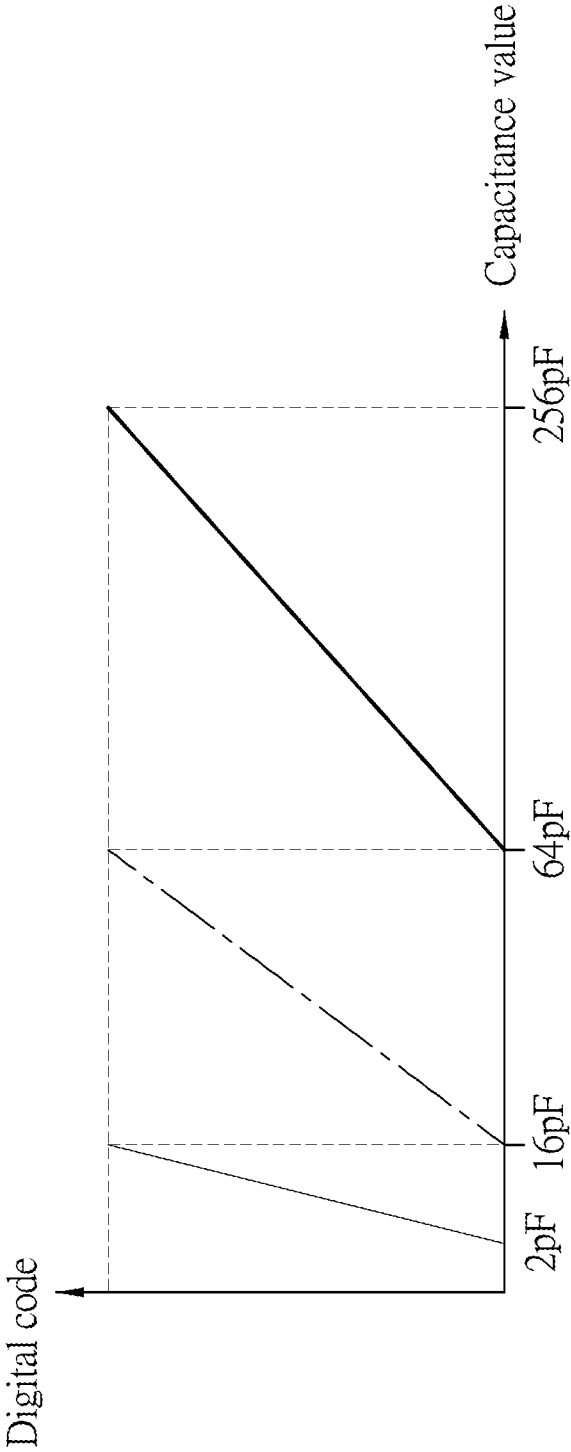


FIG.1
PRIOR ART

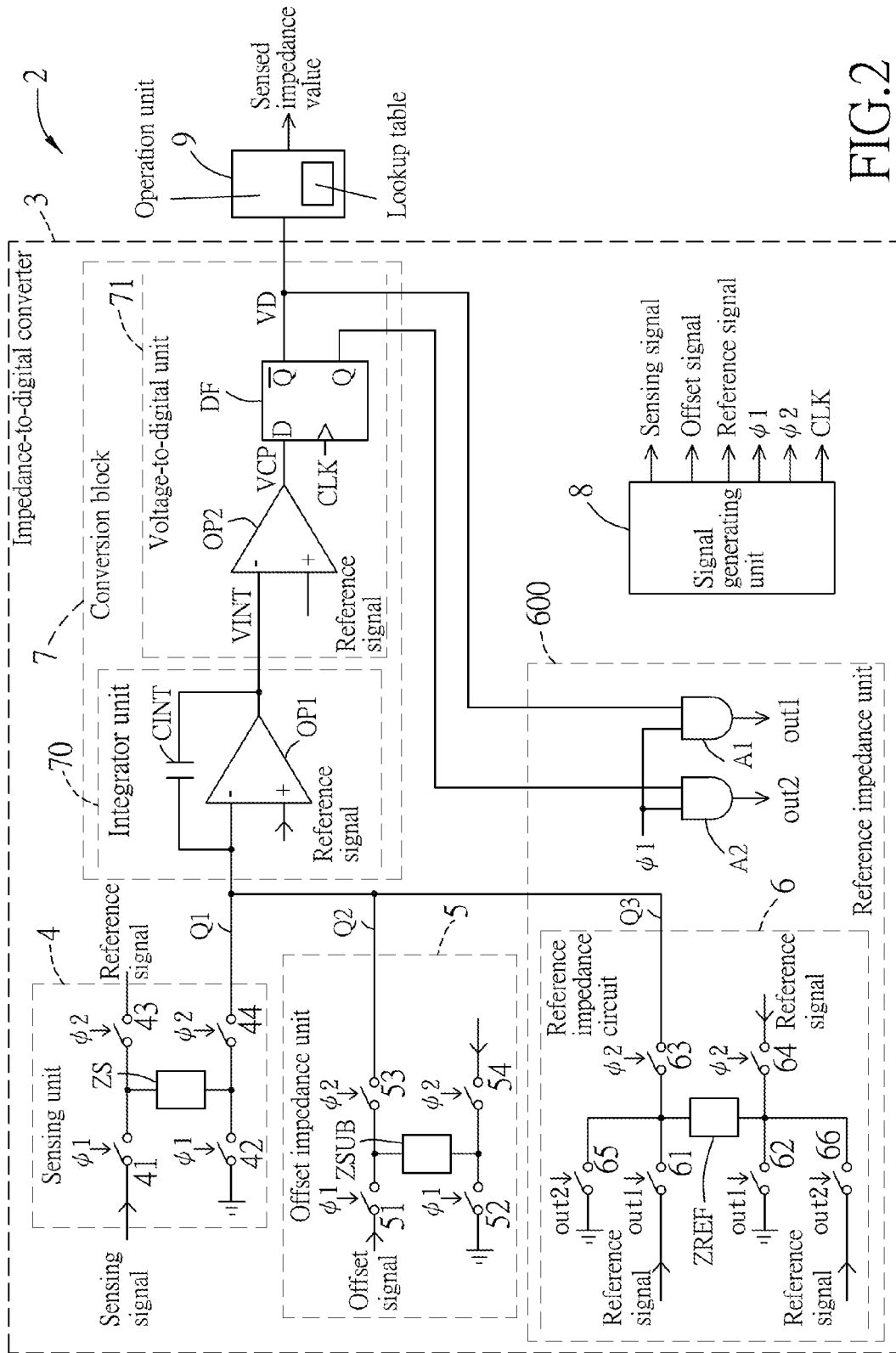


FIG. 2

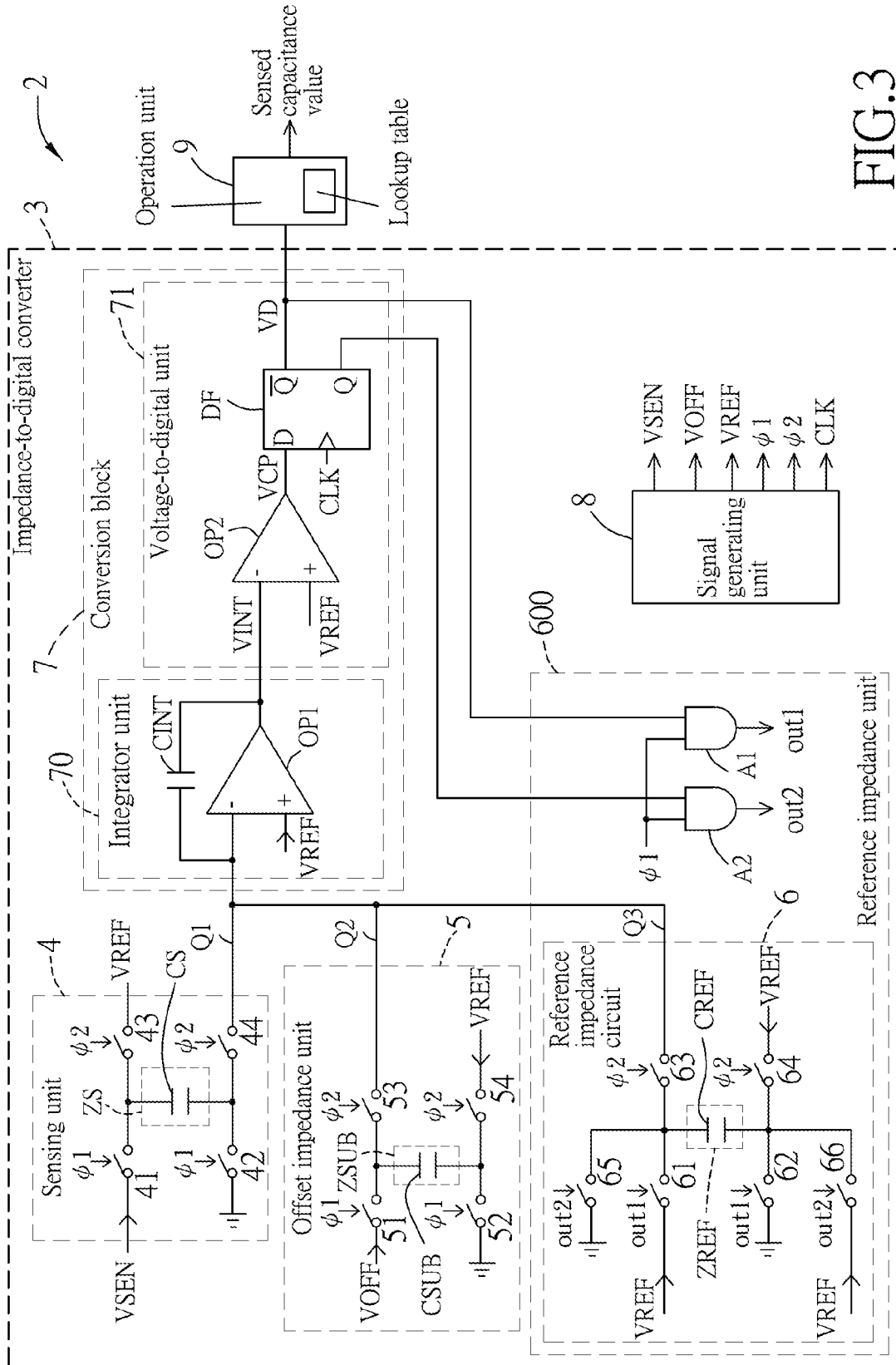


FIG. 3

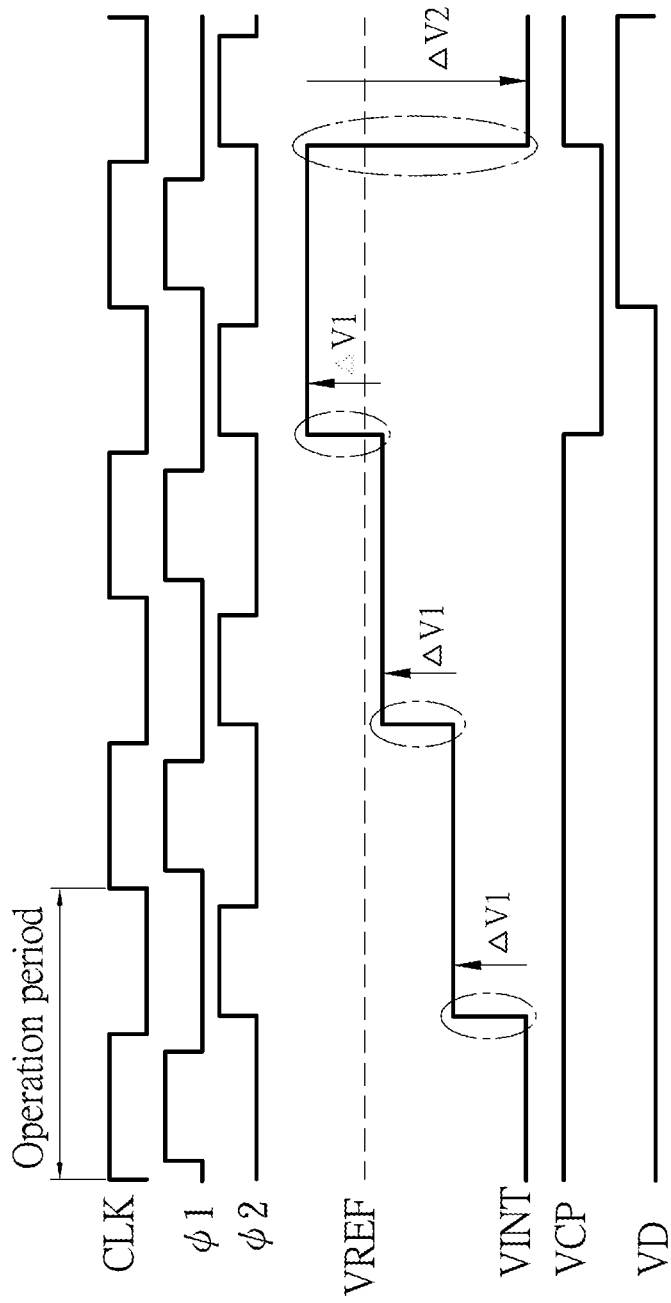


FIG.4

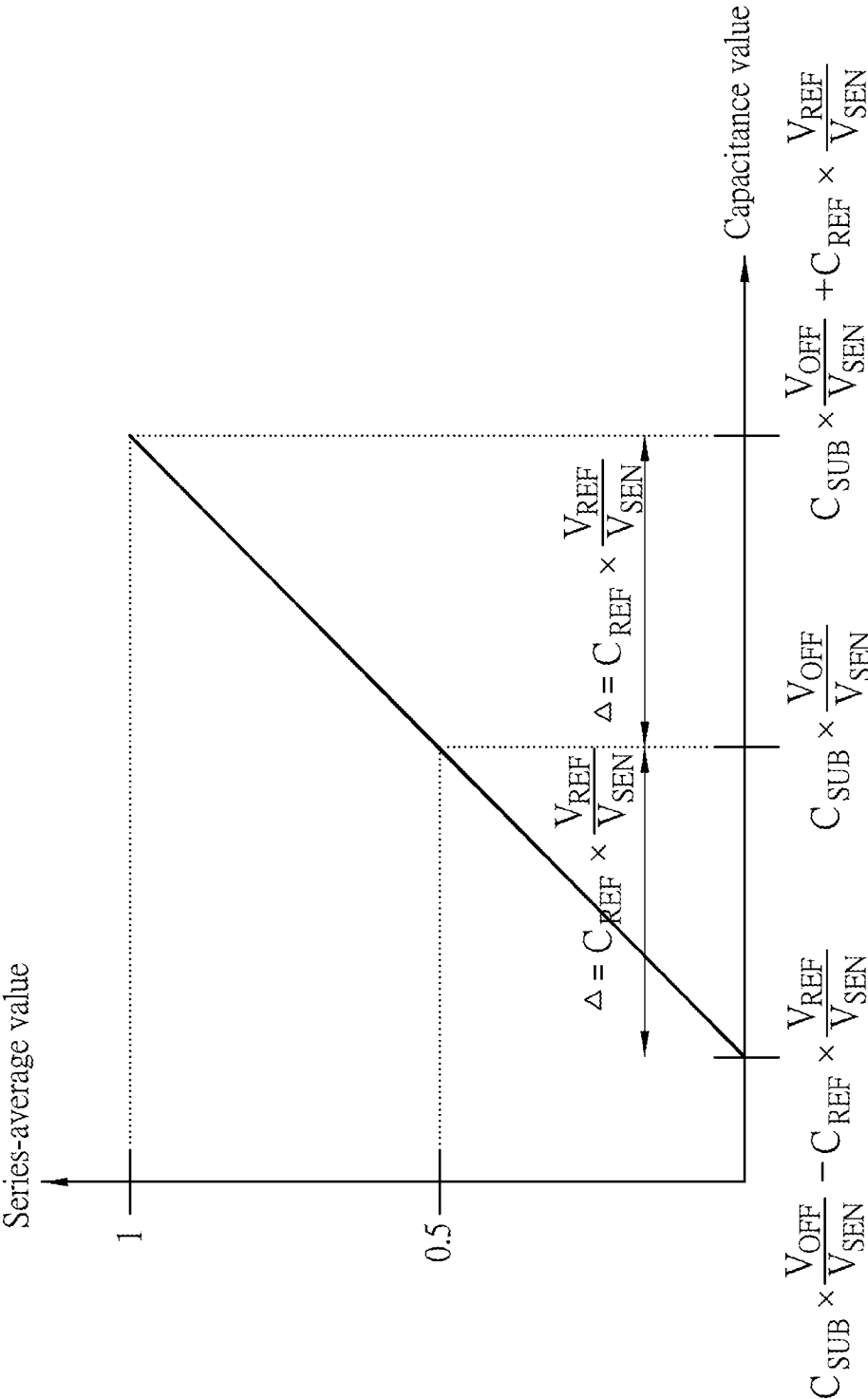


FIG.5

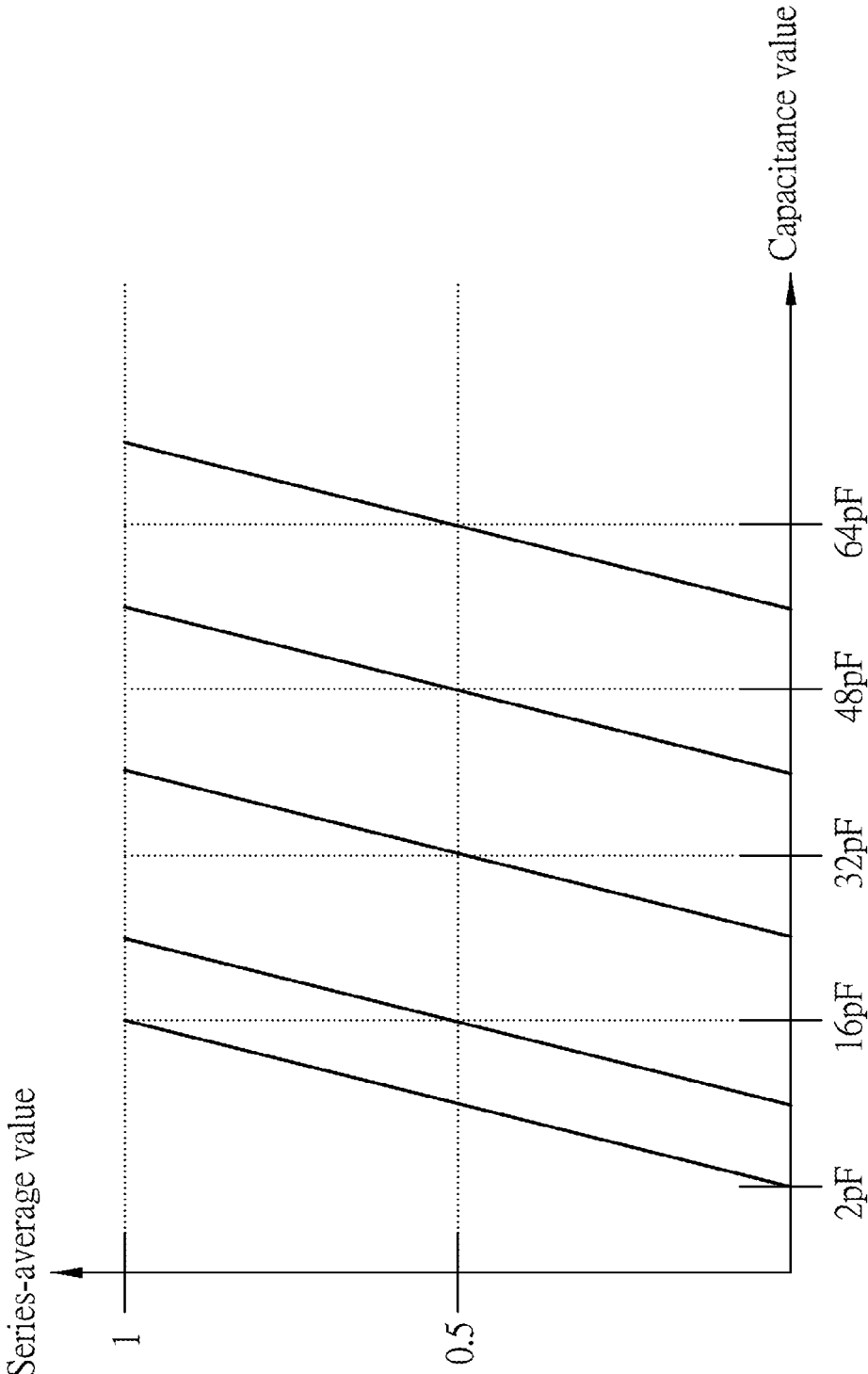


FIG.6

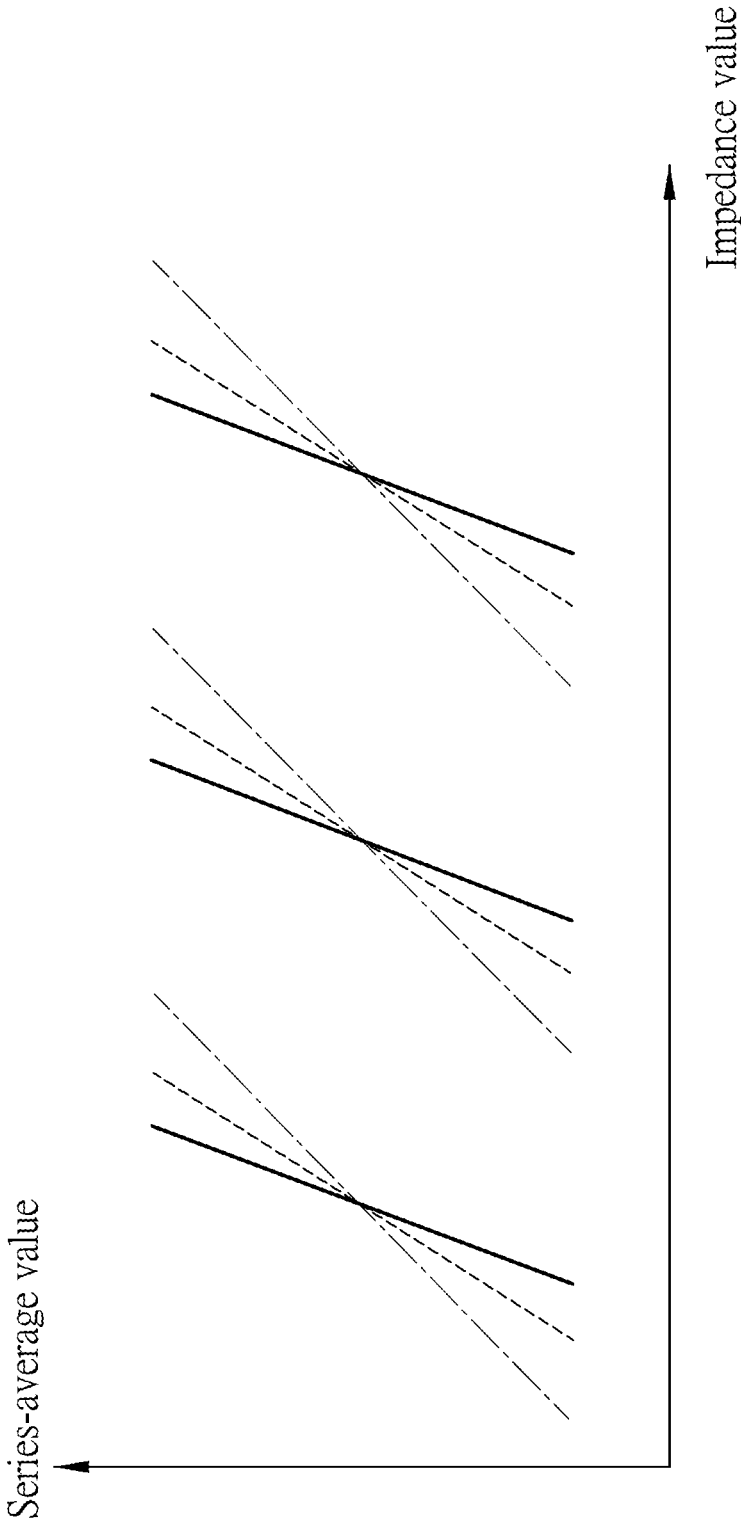


FIG.7

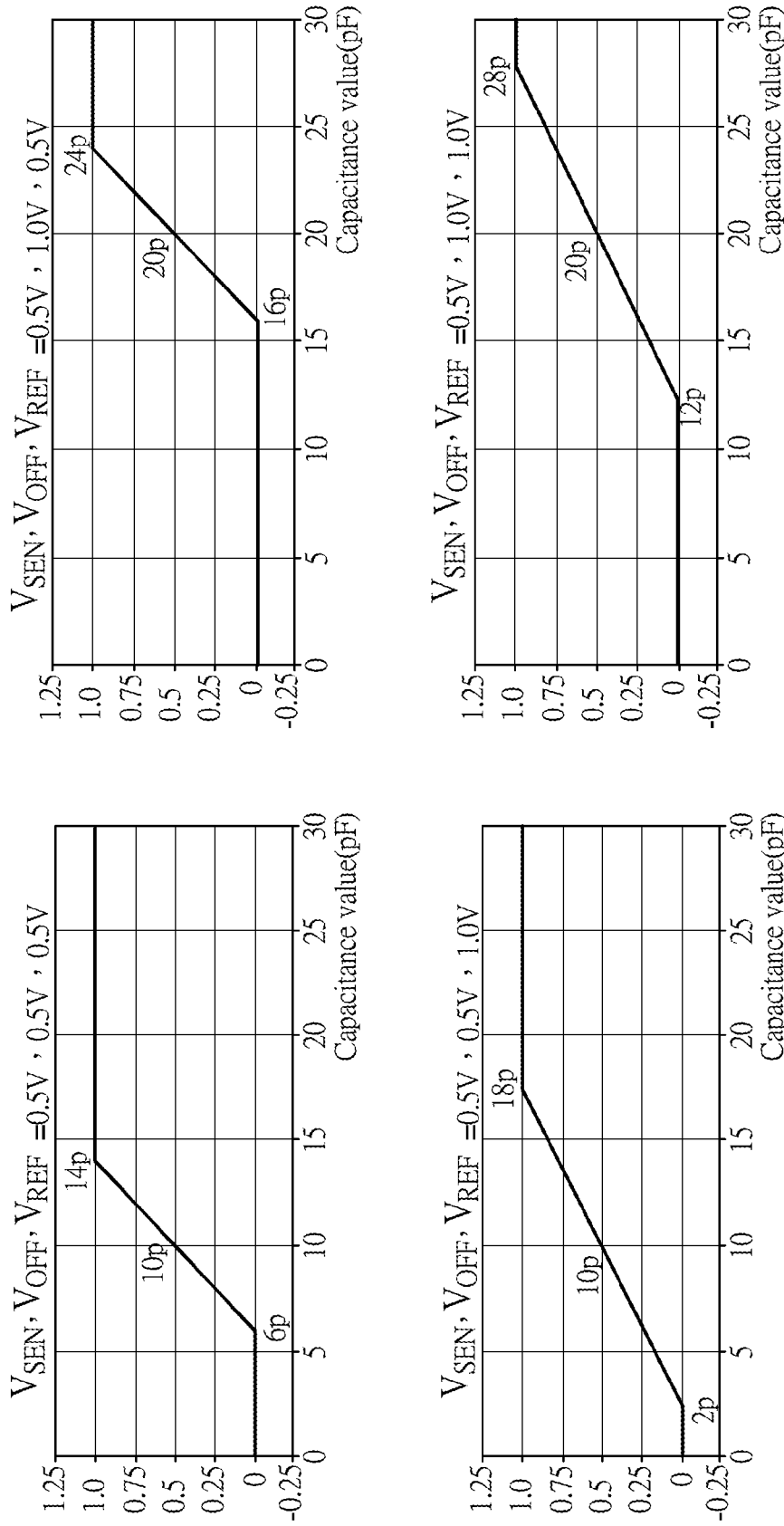


FIG.8

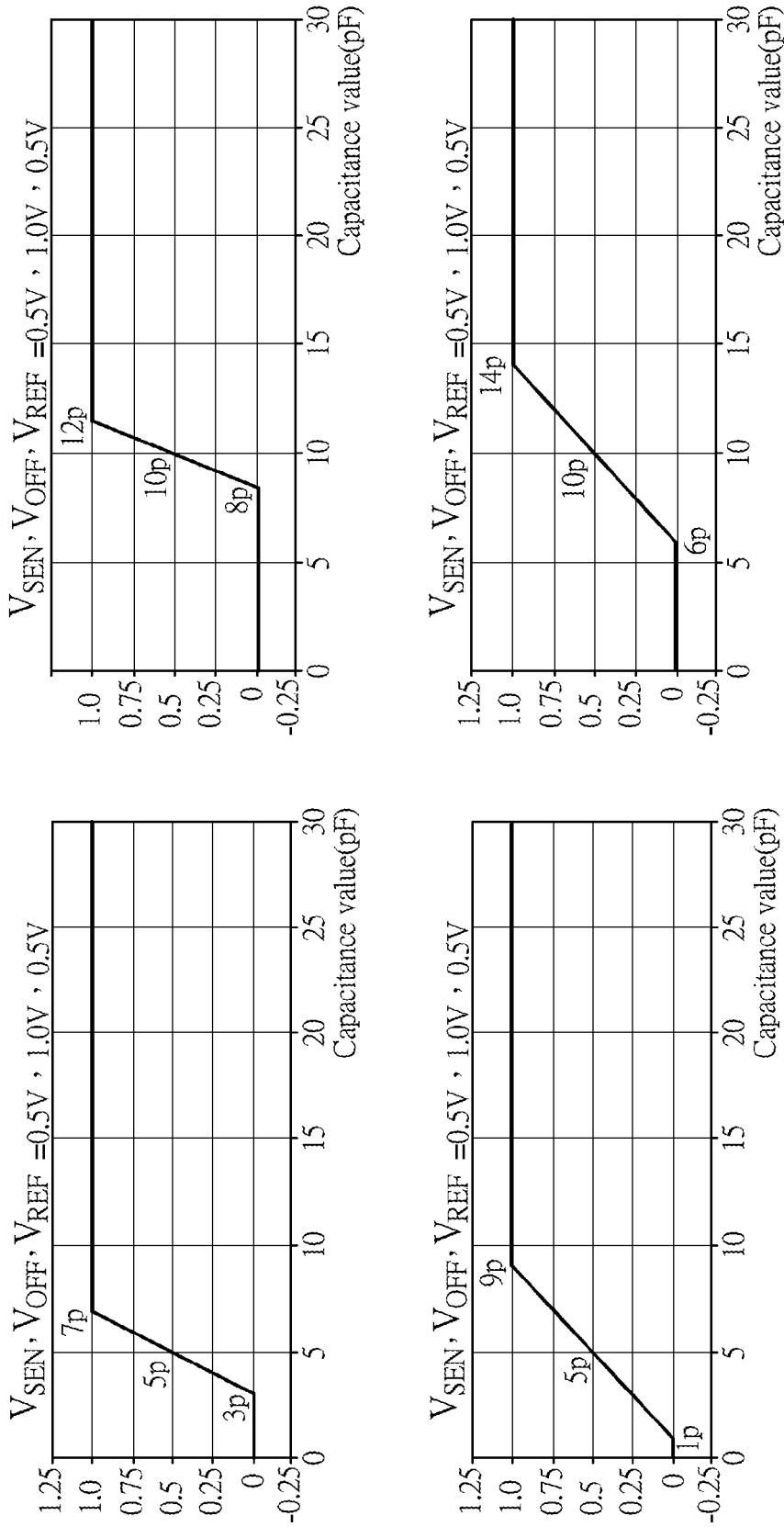


FIG.9

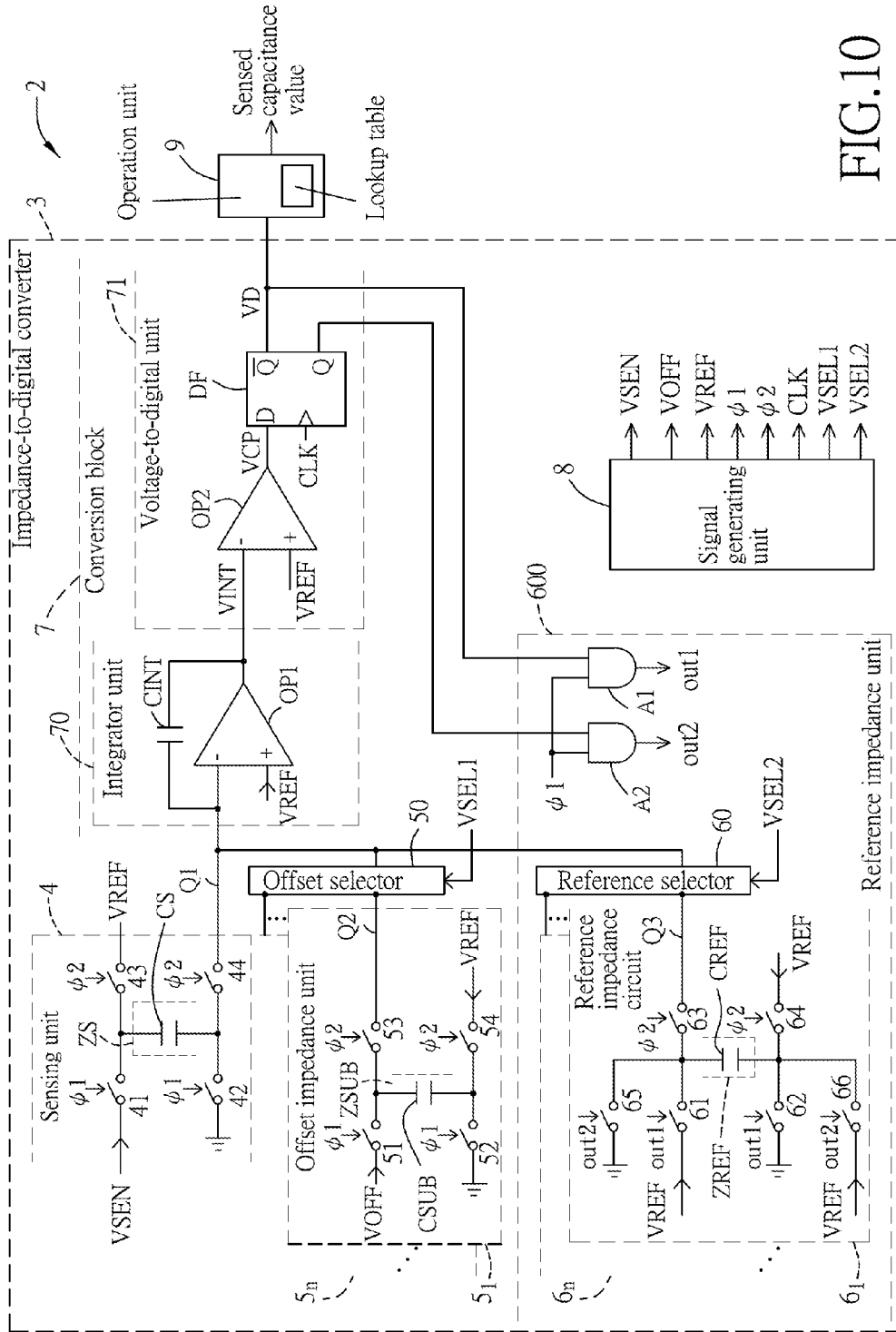


FIG. 10

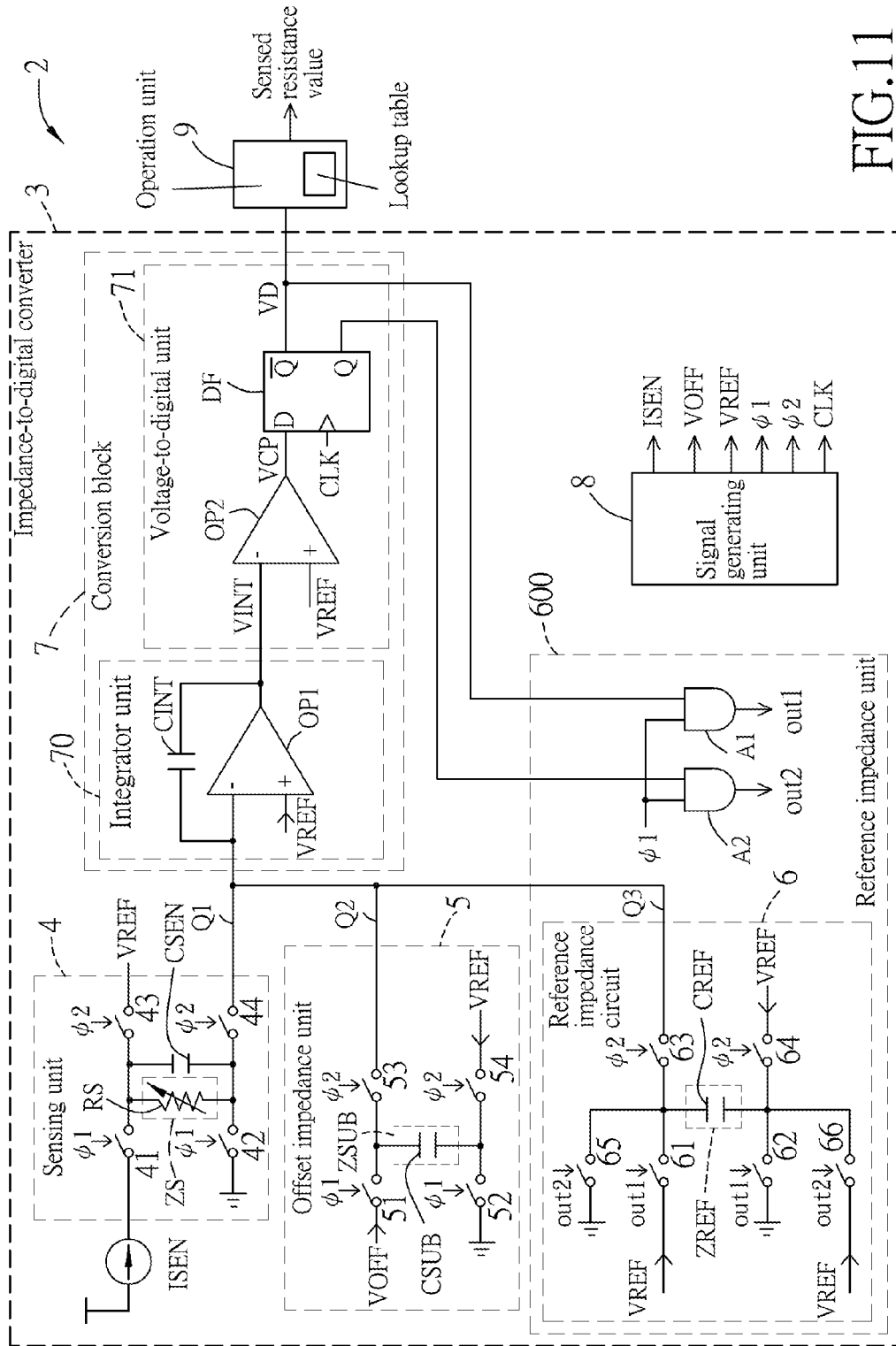


FIG. 11

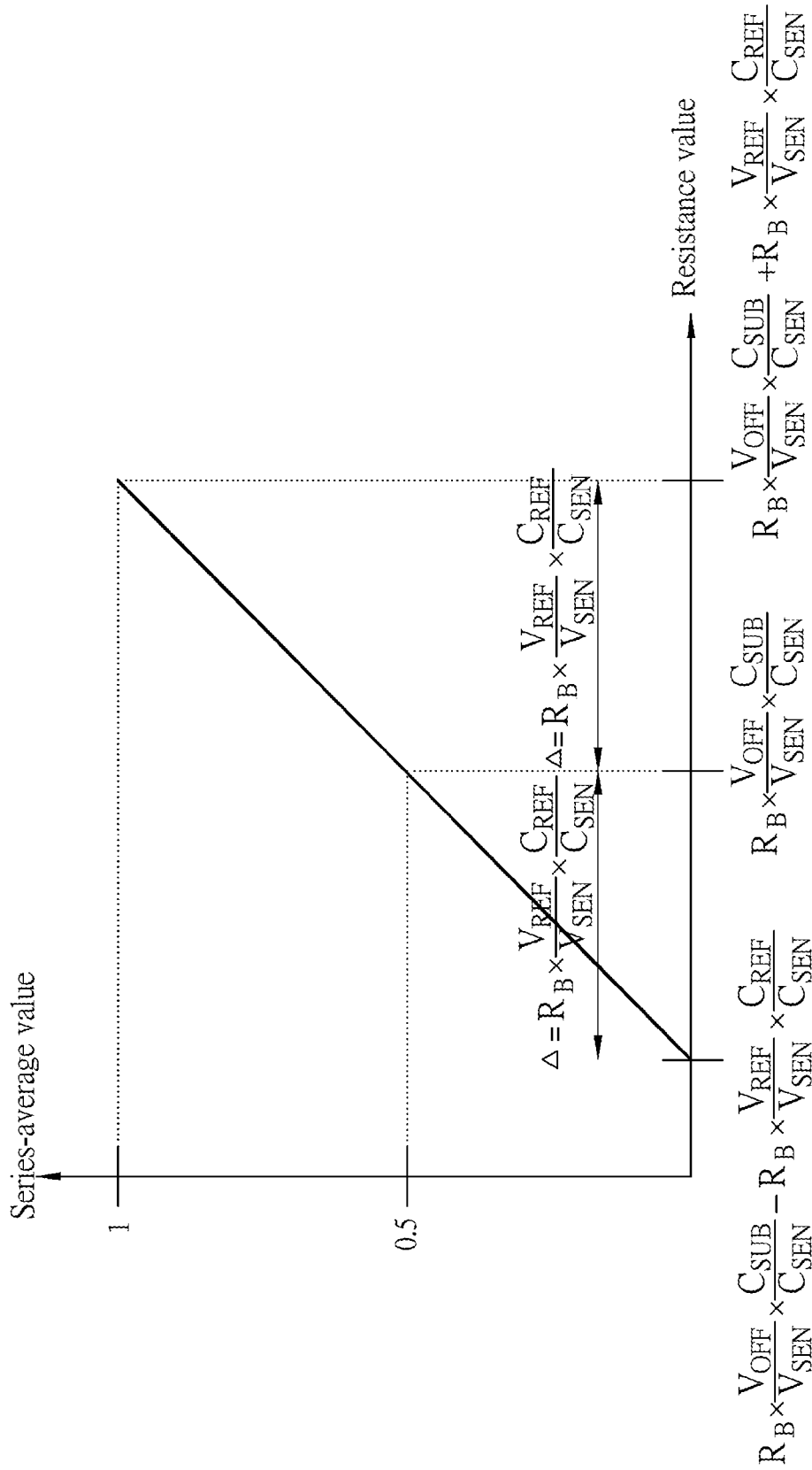


FIG.12

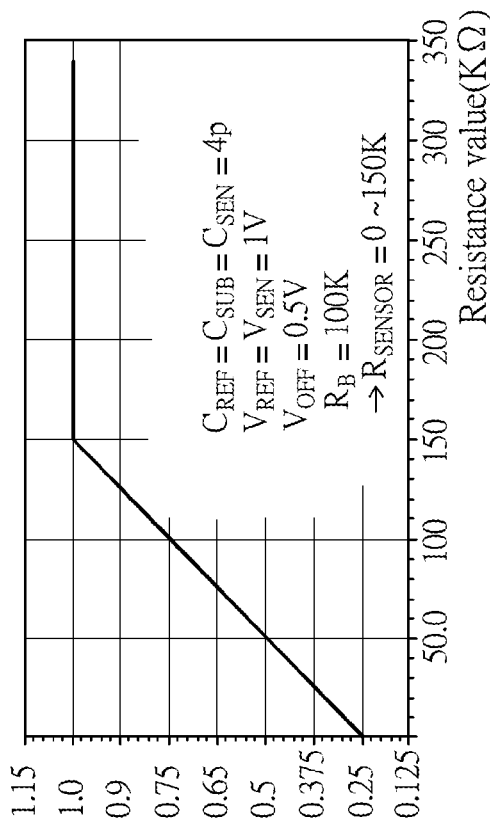
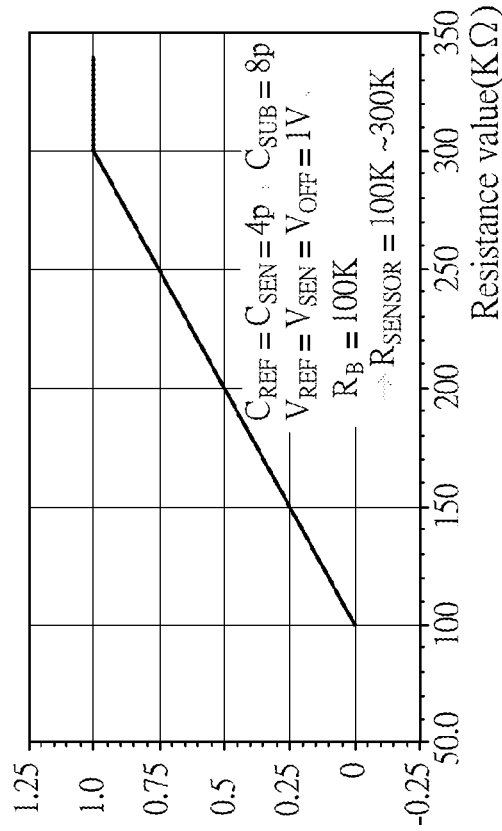


FIG.13

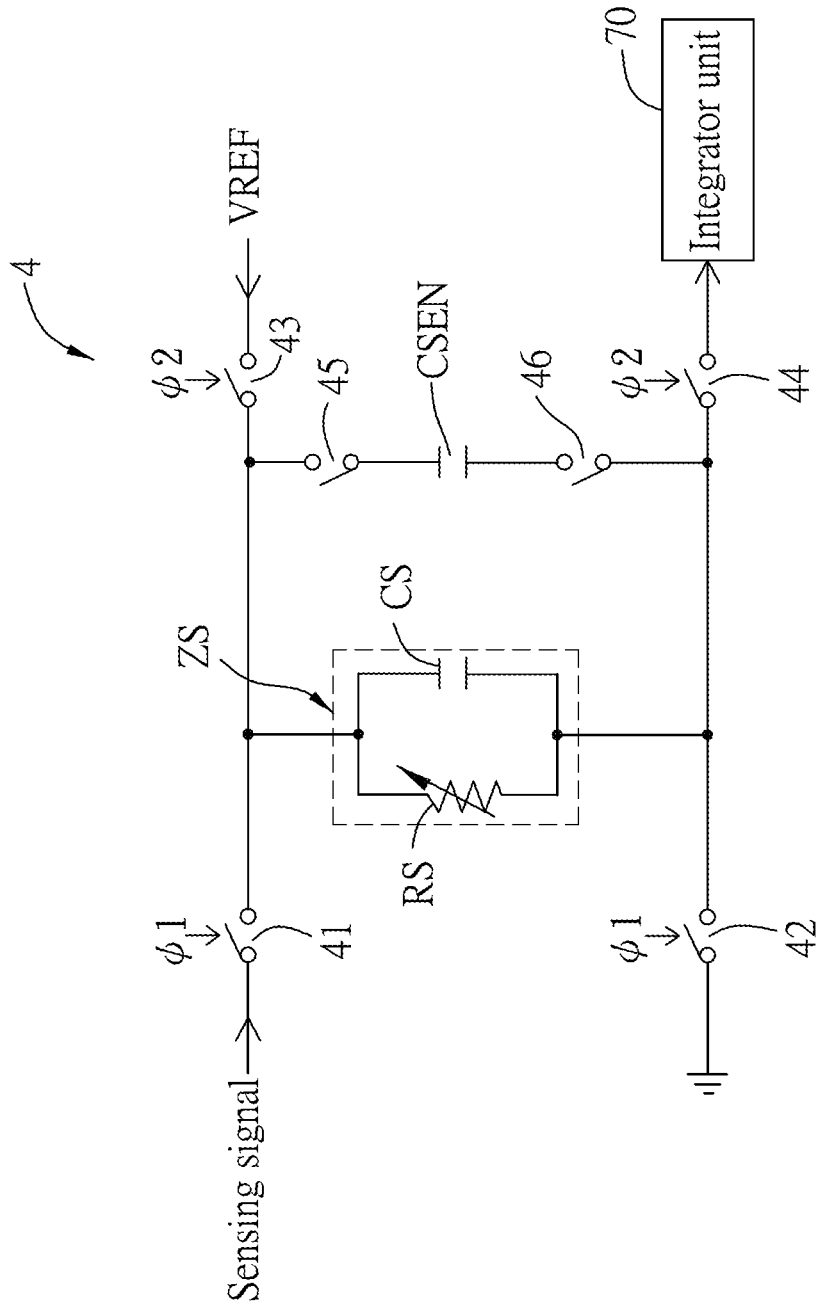


FIG.14

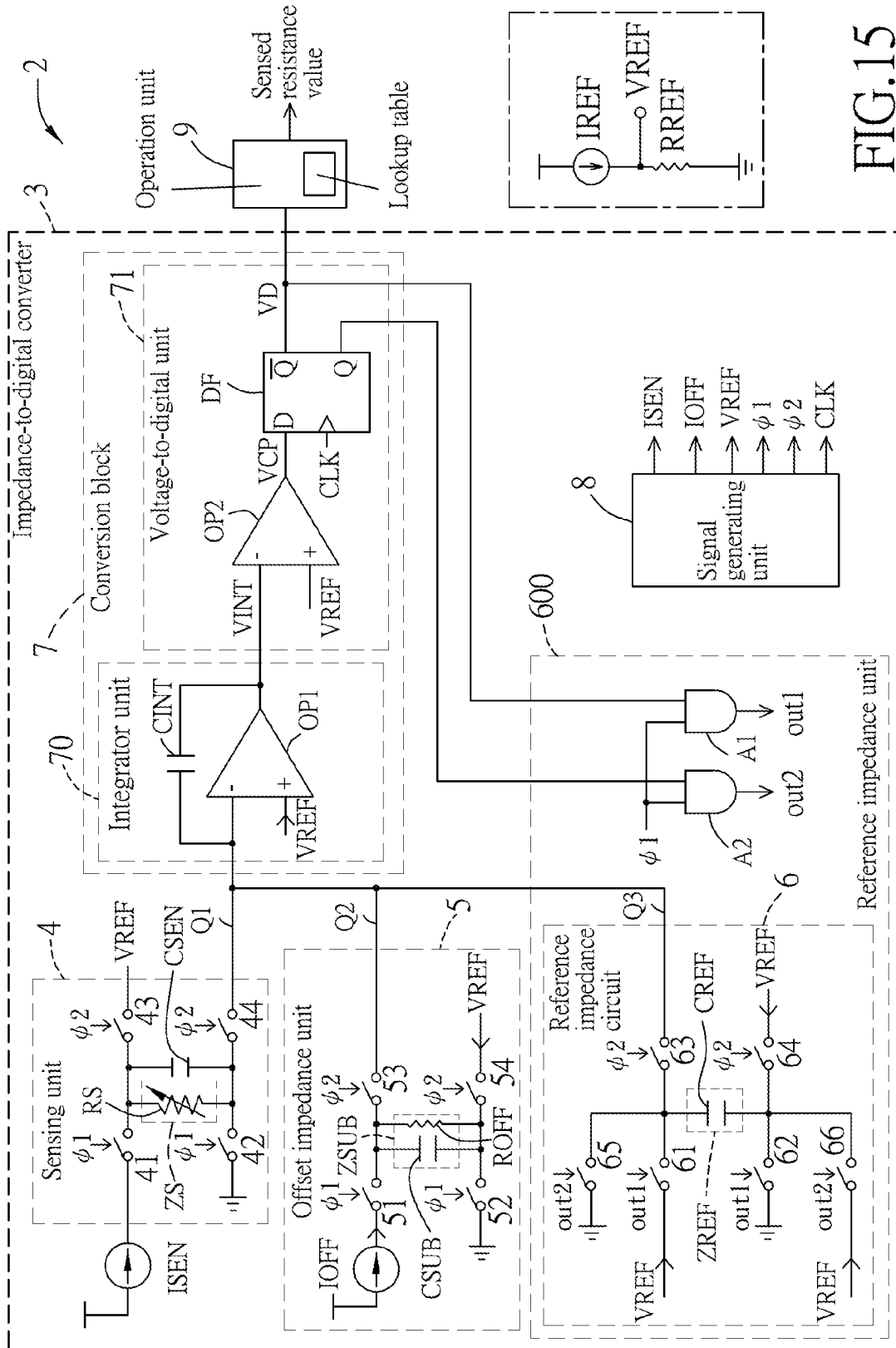


FIG. 15

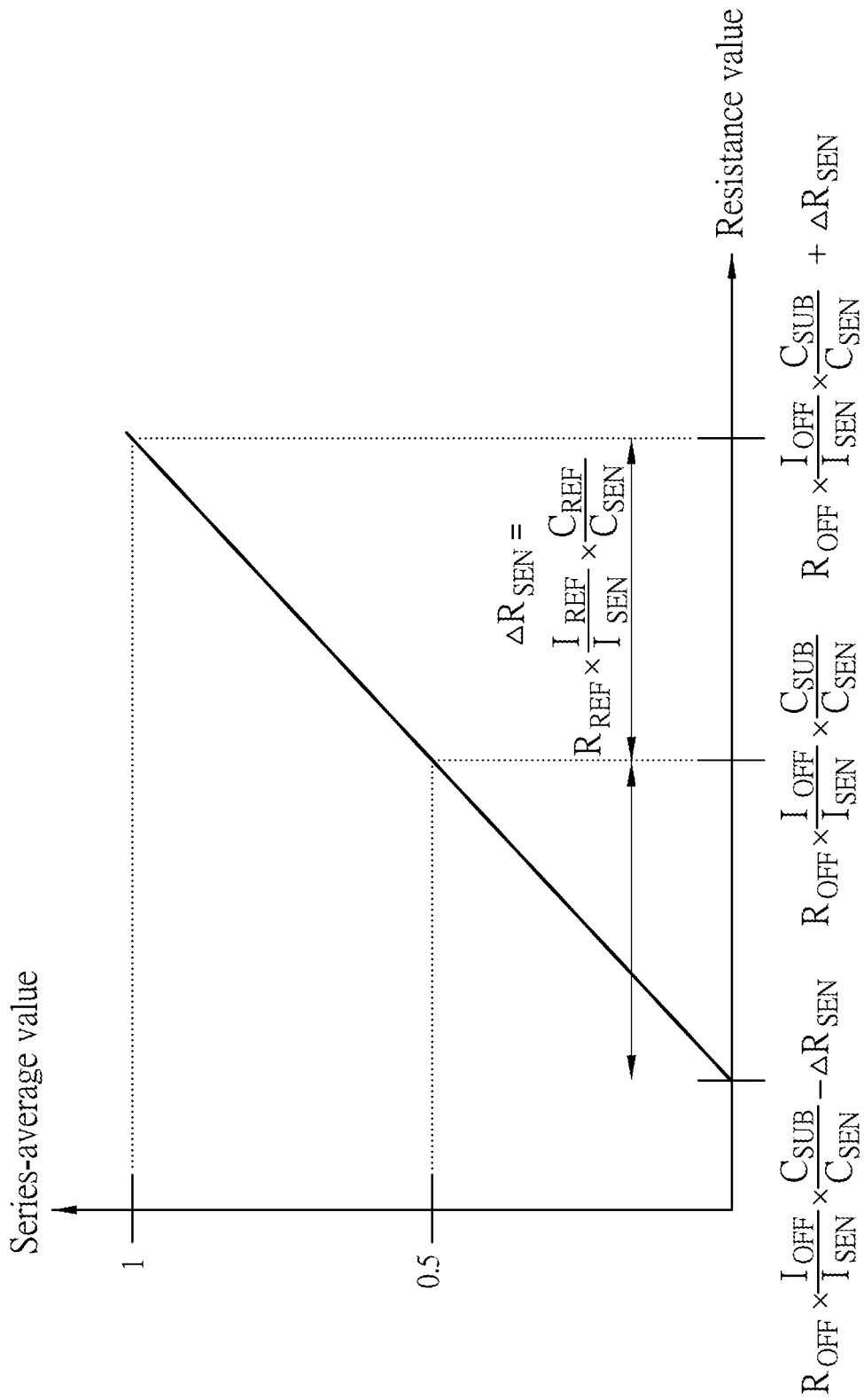


FIG.16

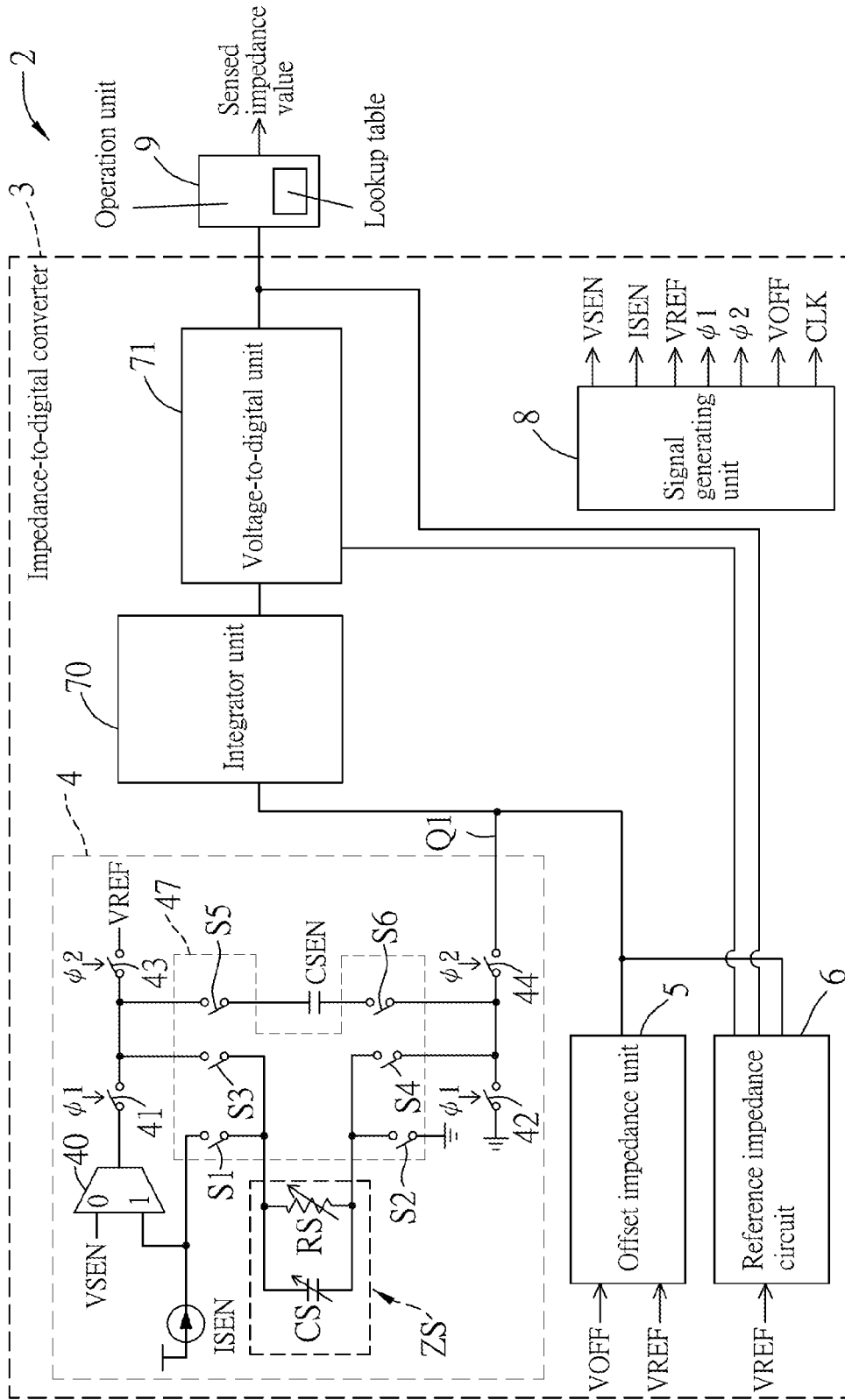


FIG.17

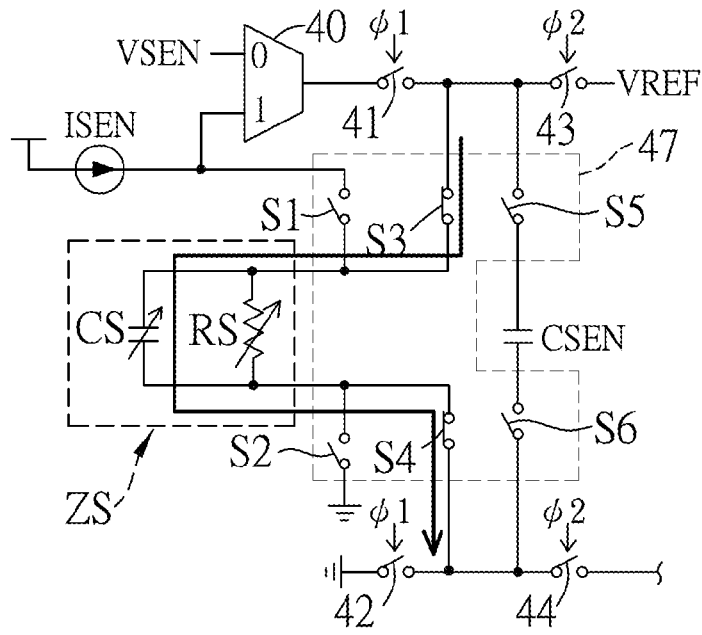


FIG.18

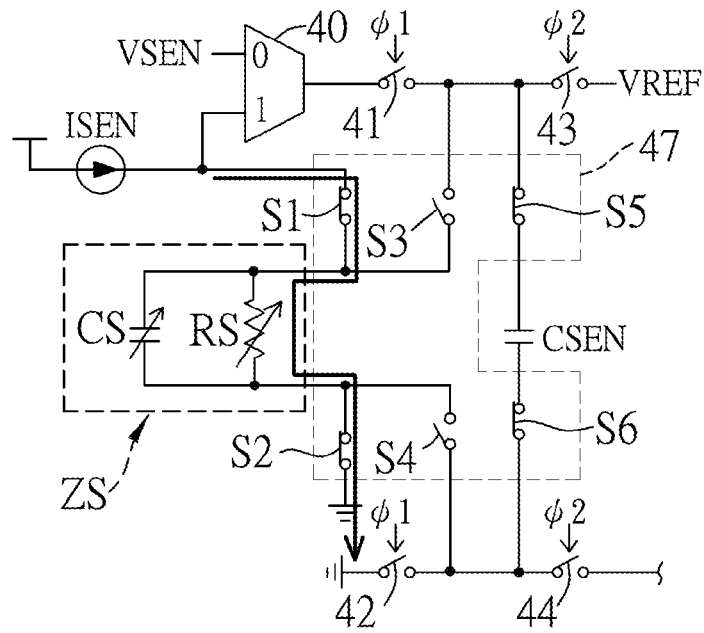


FIG.19

**IMPEDANCE-TO-DIGITAL CONVERTER,
IMPEDANCE-TO-DIGITAL CONVERTING
DEVICE, AND METHOD FOR ADJUSTMENT
OF IMPEDANCE-TO-DIGITAL CONVERTING
DEVICE**

CROSS-REFERENCE TO RELATED
APPLICATION

[0001] This application is a continuation-in-part of U.S. patent application Ser. No. 15/259,187, filed by the applicant on Sep. 8, 2016, the entire disclosure of which is incorporated herein by reference, and which claims priority of Taiwanese Patent Application No. 104140663, filed on Dec. 4, 2015.

FIELD

[0002] The disclosure relates to a conversion device, and more particularly to an impedance-to-digital converting device.

BACKGROUND

[0003] A conventional capacitance-to-digital technique is used for sensing capacitance of a capacitor, and uses a limited number of digital codes to represent the different capacitances sensed thereby. Accordingly, it is unable to achieve a high sensing resolution and a wide sensible capacitance range at the same time. FIG. 1 shows a relationship between the sensible capacitance ranges and the sensing resolutions of a conventional capacitance-to-digital converter that has multiple sensible capacitance ranges with different sensing resolutions. Assuming that the conventional capacitance-to-digital converter of FIG. 1 uses one hundred digital codes to represent the capacitances sensed thereby, the sensing resolution is inversely proportional to capacitance variation per unit increment of the digital code (i.e., a greater capacitance variation per change of the digital code indicating a lower sensing resolution). Accordingly, in FIG. 1, a unit increment of the digital code represents capacitance variation of 0.14 pF in a sensible capacitance range of 2 pF-16 pF, a unit increment of the digital code represents capacitance variation of 0.48 pF in a sensible capacitance range of 16 pF-64 pF, and a unit increment of the digital code represents capacitance variation of 1.92 pF in a sensible capacitance range of 64 pF-256 pF. Thus, such a conventional capacitance-to-digital converter is unable to achieve a high resolution when sensing a larger capacitor.

SUMMARY

[0004] Therefore, an object of the disclosure is to provide an impedance-to-digital converter that may alleviate the drawback of the prior art.

[0005] According to the disclosure, the impedance-to-digital converter is provided for sensing an impedance value of a to-be-sensed component, and includes a sensing unit, an offset impedance unit, a reference impedance unit and a conversion block.

[0006] The sensing unit is to be coupled to the to-be-sensed component, is disposed to receive a sensing voltage and a sensing current, is operable to select one of the sensing voltage and the sensing current to be a sensing signal, and is configured to provide the sensing signal to the to-be-sensed component, and to convert the sensing signal into a first electric charge every operation period of the imped-

ance-to-digital converter. An amount of the first electric charge of the impedance-to-digital converter is proportional to a magnitude of the sensing signal. The offset impedance unit is disposed to receive an offset signal, and is configured to convert the offset signal into a second electric charge every operation period of the impedance-to-digital converter. An amount of the second electric charge is proportional to a magnitude of the offset signal. The reference impedance unit is disposed to receive a reference signal and a digital signal, and includes a reference impedance circuit configured to convert the reference signal into a third electric charge every operation period of the impedance-to-digital converter. An amount of the third electric charge is proportional to a magnitude of the reference signal. A polarity of the third electric charge is associated with a logic level of the digital signal. The conversion block receives the first electric charge, the second electric charge and the third electric charge that are respectively outputted by the sensing unit, the offset impedance unit and the reference impedance unit to cooperatively form a resultant electric charge, and is configured to convert the resultant electric charge into the digital signal. The impedance value sensed by the impedance-to-digital converter has a linear relationship with a number of the operation periods that correspond to a predetermined logic level of the digital signal among a predetermined number of the operation periods. A central value of a sensible impedance range is proportional to a ratio of a magnitude of the offset signal to a magnitude of the sensing signal.

[0007] Another object of the disclosure is to provide an impedance-to-digital converting device that may alleviate the drawback of the prior art.

[0008] According to the disclosure, the impedance-to-digital converting device is provided for sensing an impedance value of a to-be-sensed component, and includes an impedance-to-digital converter of this disclosure, and an operation unit.

[0009] The operation unit is coupled to the conversion block for receiving therefrom the digital signal, and is configured to perform an average operation of a series of logic values of the digital signal to generate a series-average value. The operation unit includes a lookup table recording a pre-stored impedance value that corresponds to the series-average value thus generated, and is further configured to obtain the pre-stored impedance value from the lookup table according to the series-average value, and to output the pre-stored impedance value to serve as a sensed impedance value corresponding to the to-be-sensed component. The impedance value sensed by the impedance-to-digital converting device has a linear relationship with a number of the operation periods that correspond to a predetermined logic level of the digital signal among a predetermined number of the operation periods. A central value of a sensible impedance range of the impedance-to-digital converter is proportional to a ratio of a magnitude of the offset signal to a magnitude of the sensing signal. The impedance value sensed by impedance-to-digital converting device has a sensing resolution proportional to a ratio of the magnitude of the sensing signal to a magnitude of the reference signal.

BRIEF DESCRIPTION OF THE DRAWINGS

[0010] Other features and advantages of the disclosure will become apparent in the following detailed description of the embodiment (s) with reference to the accompanying drawings, of which:

[0011] FIG. 1 is a plot illustrating a relationship among sensible capacitance ranges and the sensing resolutions of a conventional capacitance-to-digital converter;

[0012] FIG. 2 is a schematic circuit diagram illustrating an embodiment of the impedance-to-digital converting device according to this disclosure;

[0013] FIG. 3 is a schematic circuit diagram illustrating a first variation of the embodiment;

[0014] FIG. 4 is a timing diagram of the first variation;

[0015] FIG. 5 is a plot illustrating a sensible impedance range of the first variation;

[0016] FIG. 6 is a plot illustrating a dynamic sensible impedance range of the first variation;

[0017] FIG. 7 is a plot illustrating a dynamic sensing resolution of the first variation;

[0018] FIGS. 8 and 9 are plots illustrating simulation results of the first variation;

[0019] FIG. 10 is a schematic circuit diagram illustrating a second variation of the embodiment;

[0020] FIG. 11 is a schematic circuit diagram illustrating a third variation of the embodiment;

[0021] FIG. 12 is a plot illustrating a sensible impedance range of the third variation;

[0022] FIG. 13 shows a plot illustrating simulation results of the second variation;

[0023] FIG. 14 is a schematic circuit diagram illustrating a variation of a sensing unit of the embodiment;

[0024] FIG. 15 is a schematic circuit diagram illustrating a fourth variation of the embodiment;

[0025] FIG. 16 is a plot illustrating a sensible impedance range of the fourth variation;

[0026] FIG. 17 is a schematic circuit diagram illustrating a fifth variation of the embodiment;

[0027] FIG. 18 is a schematic circuit diagram illustrating operation of a sensing unit of the fifth variation when a capacitor is a to-be-sensed component; and

[0028] FIG. 19 is a schematic circuit diagram illustrating operation of a sensing unit of the fifth variation when a resistor is a to-be-sensed component.

DETAILED DESCRIPTION

[0029] Before the disclosure is described in greater detail, it should be noted that where considered appropriate, reference numerals or terminal portions of reference numerals have been repeated among the figures to indicate corresponding or analogous elements, which may optionally have similar characteristics.

[0030] Referring to FIG. 2, the embodiment of the impedance-to-digital converting device 2 is provided for sensing an impedance value of a to-be-sensed component (ZS), and generates a sensed impedance value corresponding to the to-be-sensed component (ZS). The impedance-to-digital converting device 2 includes an impedance-to-digital converter 3 and an operation unit 9. In this embodiment, the to-be-sensed component (ZS) has a first terminal and a second terminal, and the impedance-to-digital converter 3 includes a sensing unit 4, an offset impedance unit 5, a reference impedance unit 600, a conversion block 7 and a signal generating unit 8.

[0031] The sensing unit 4 is coupled to the to-be-sensed component (ZS), receives a sensing signal, and periodically converts the sensing signal into a first electric charge (Q1) by providing, within every operation period of the impedance-to-digital converter, the sensing signal to the to-be-

sensed component (ZS). An amount of the first electric charge (Q1) is proportional to a magnitude of the sensing signal. In this embodiment, the sensing unit 4 includes four sensing switches 41-44.

[0032] The sensing switch 41 receives a first control signal ($\phi 1$), introduces the sensing signal to the first terminal of the to-be-sensed component (ZS) when conducting, and is configured to conduct or not conduct according to the first control signal ($\phi 1$).

[0033] The sensing switch 42 receives the first control signal ($\phi 1$), couples the second terminal of the to-be-sensed component (ZS) to ground when conducting, and is configured to conduct or not conduct according to the first control signal ($\phi 1$).

[0034] The sensing switch 43 receives a second control signal ($\phi 2$), introduces a reference signal to the first terminal of the to-be-sensed component (ZS) when conducting, and is configured to conduct or not conduct according to the second control signal ($\phi 2$).

[0035] The sensing switch 44 receives the second control signal ($\phi 2$), has a first terminal at which the first electric charge (Q1) is outputted when the sensing switch 44 is conducting, and a second terminal coupled to the second terminal of the to-be-sensed component (ZS), and is configured to establish or not establish connection between the first and second terminals thereof to be conducting or non-conducting according to the second control signal ($\phi 2$).

[0036] The offset impedance unit 5 receives an offset signal, and converts the offset signal into a second electric charge (Q2) periodically (namely, every operation period of the impedance-to-digital converter). An amount of the second electric charge (Q2) is proportional to a magnitude of the offset signal. In this embodiment, the offset impedance unit 5 includes an offset impedance component (ZSUB) and four offset switches 51-54.

[0037] The offset impedance component (ZSUB) has a first terminal and a second terminal.

[0038] The offset switch 51 receives the first control signal ($\phi 1$), introduces the offset signal to the first terminal of the offset impedance component (ZSUB) when conducting, and is configured to conduct or not conduct according to the first control signal ($\phi 1$).

[0039] The offset switch 52 receives the first control signal ($\phi 1$), couples the second terminal of the offset impedance component (ZSUB) to ground when conducting, and is configured to conduct or not conduct according to the first control signal ($\phi 1$).

[0040] The offset switch 53 receives the second control signal ($\phi 2$), has a first terminal at which the second electric charge (Q2) is outputted when the offset switch 53 is conducting, a second terminal coupled to the first terminal of the offset impedance component (ZSUB), and is configured to establish or not establish connection between the first and second terminals thereof to be conducting or non-conducting according to the second control signal ($\phi 2$).

[0041] The offset switch 54 receives the second control signal ($\phi 2$), introduces the reference signal to the second terminal of the offset impedance component (ZSUB) when conducting, and is configured to conduct or not conduct according to the second control signal ($\phi 2$).

[0042] The reference impedance unit 600 receives the reference signal and a digital signal (VD), and includes a reference impedance circuit 6 that converts the reference signal into a third electric charge (Q3) periodically (namely,

every operation period of the impedance-to-digital converter) in this embodiment. An amount of the third electric charge (Q3) is proportional to a magnitude of the reference signal, and a polarity of the third electric charge (Q3) is associated with a logic level of the digital signal (VD). In detail, the reference impedance unit 600 further includes two AND gates (A1, A2), and the reference impedance circuit 6 includes a reference impedance component (ZREF) and six reference switches 61-66, but this disclosure is not limited thereto.

[0043] The AND gate (A1) performs AND operation on the digital signal (VD) and the first control signal ($\phi 1$) so as to generate a first operation signal (out1).

[0044] The AND gate (A2) perform AND operation on the first control signal ($\phi 1$) and an inverted digital signal that is complementary to the digital signal (VD) so as to generate a second operation signal (out2).

[0045] The reference impedance component (ZREF) has a first terminal and a second terminal.

[0046] The reference switch 61 is coupled to the AND gate (A1) to receive the first operation signal (out1) therefrom, introduces the reference signal to the first terminal of the reference impedance component (ZREF) when conducting, and is configured to conductor not conduct according to the first operation signal (out1).

[0047] The reference switch 62 is coupled to the AND gate (A1) to receive the first operation signal (out1) therefrom, couples the second terminal of the reference impedance component (ZREF) to ground when conducting, and is configured to conduct or not conduct according to the first operation signal (out1).

[0048] The reference switch 63 receives the second control signal ($\phi 2$), has a first terminal at which the third electric charge (Q3) is outputted when the reference switch 63 is conducting, and a second terminal coupled to the first terminal of the reference impedance component (ZREF), and is configured to establish or not establish connection between the first and second terminals thereof to be conducting or non-conducting according to the second control signal ($\phi 2$).

[0049] The reference switch 64 receives the second control signal ($\phi 2$), introduces the reference signal to the second terminal of the reference impedance component (ZREF) when conducting, and is configured to conduct or not conduct according to the second control signal ($\phi 2$).

[0050] The reference switch 65 is coupled to the AND gate (A2) to receive the second operation signal (out2) therefrom, couples the first terminal of the reference impedance component (ZREF) to ground when conducting, and is configured to conduct or not conduct according to the second operation signal (out2).

[0051] The reference switch 66 is coupled to the AND gate (A2) to receive the second operation signal (out2) therefrom, introduces the reference signal to the second terminal of the reference impedance component (ZREF) when conducting, and is configured to conduct or not conduct according to the second operation signal (out2).

[0052] Accordingly, when both of the digital signal (VD) and the first control signal ($\phi 1$) have a high voltage level (i.e., logic "1"), the first operation signal (out1) has a high voltage level and the reference switches 61, 62 conduct, while the second operation signal (out2) has a low voltage level and the reference switches 65, 66 do not conduct. When the digital signal (VD) has a low voltage level (i.e.,

logic 0) and the first control signal ($\phi 1$) has the high voltage level, the first operation signal (out1) has a low voltage level and the reference switches 61, 62 do not conduct, while the second operation signal (out2) has a high voltage level and the reference switches 65, 66 conduct.

[0053] The conversion block 7 receives the first electric charge (Q1), the second electric charge (Q2) and the third electric charge (Q3) that are respectively outputted by the sensing unit 4, the offset impedance unit 5 and the reference impedance unit 6 to cooperatively form a resultant electric charge, and converts the resultant electric charge into the digital signal (VD). In this embodiment, the conversion block 7 includes an integrator unit 70 and a voltage-to-digital unit 71.

[0054] The integrator unit 70 receives the first, second and third electric charges (Q1, Q2, Q3) that cooperatively form the resultant electric charge, and converts the resultant electric charge into an integrator voltage (VINT). The integrator unit 70 of this embodiment includes an operational amplifier (OP1) and an integrator capacitor (CINT).

[0055] The operational amplifier (OP1) has a first input (-, representing an inverting input) coupled to the first terminals of the sensing switch 44, the offset switch 53 and the reference switch 63 for respectively receiving therefrom the first, second and third electric charges (Q1, Q2, Q3) to cooperatively form the resultant electric charge, a second input (+, representing a non-inverting input) receiving the reference signal, and an output at which the integrator voltage (VINT) is outputted.

[0056] The integrator capacitor (CINT) is coupled between the first input (-) and the output of the operational amplifier (OP1).

[0057] The voltage-to-digital unit 71 is coupled to the integrator unit 70 for receiving therefrom the integrator voltage (VINT), and converts a magnitude of the integrator voltage (VINT) into the digital signal (VD). The voltage-to-digital unit 71 of this embodiment includes a comparator and a D flip-flop (DF).

[0058] In this embodiment, the comparator of the voltage-to-digital unit 71 is implemented using an operational amplifier (OP2) that has a first input (-) coupled to the output of the integrator unit 70 for receiving therefrom the integrator voltage (VINT), a second input (+) receiving the reference signal, and an output at which a comparison signal (VCP) is outputted.

[0059] The D flip-flop (DF) has a data input (D) coupled to the output of the operational amplifier (OP2), a clock input receiving a clock signal (CLK), an inverting output (\bar{Q}) at which the digital signal (VD) is outputted, and a non-inverting output (Q) at which the inversed digital signal is outputted.

[0060] The signal generating unit 8 is configured to generate the desired sensing signal, offset signal, reference signal, first control signal ($\phi 1$), second control signals ($\phi 2$) and clock signal (CLK).

[0061] The operation unit 9 is coupled to the voltage-to-digital unit 71 for receiving therefrom the digital signal (VD), and performs an average operation on a series of logic values of the digital signal (VD) to generate a series-average value. In this embodiment, the operation unit 9 includes a lookup table recording a plurality of pre-stored impedance values that correspond to different series-average values, so that the operation unit 8 may obtain from the lookup table a pre-stored impedance value that corresponds to the series-

average value thus generated, and then output the obtained pre-stored impedance value in digital format to serve as a sensed impedance value corresponding to the to-be-sensed component (ZS).

[0062] Referring to FIG. 3, a first variation of the embodiment is shown that the to-be-sensed component (ZS) includes a to-be-sensed capacitor (CS) having the first and second terminals of the to-be-sensed component (ZS), that the offset impedance component (ZSUB) includes an offset capacitor (CSUB), that the reference impedance component (ZREF) includes a reference capacitor (CREF), that the sensing signal includes a sensing voltage (VSEN), that the offset signal includes an offset voltage (VOFF), and that the reference signal includes a reference voltage (VREF).

[0063] Operations of the embodiment are exemplified using the first variation hereinafter. It is noted that in this disclosure, each of the switches conducts upon receipt of a high voltage level at a control terminal thereof, and does not conduct upon receipt of a low voltage level at the control terminal thereof, but the disclosure is not limited thereto. Referring to FIG. 4, durations where the first control signal ($\phi 1$) causes the corresponding switches (e.g., the sensing switches 41, 42) to turn on (i.e., to conduct) do not overlap durations where the second control signal ($\phi 2$) causes the corresponding switches (e.g., the sensing switches 43, 44) to turn on, so the sensing switches 41, 42 and the sensing switches 43, 44 do not conduct at the same time. Before the third rising edge of the second control signal ($\phi 2$), the comparison signal (VCP) is logic "1", causing the digital signal (VD) to be logic "0", since the integrator voltage (VINT) is lower than the reference voltage (VREF); during this time, the reference switches 61, 62 always do not conduct, and the reference switches 65, 66 conduct when the first control signal ($\phi 1$) is logic "1". By cooperation of the operations of the reference switches 61-66 and the operational amplifier (OP2) that receives the reference voltage (VREF) at the second input (+) thereof, the integrator voltage (VINT) increases by $\Delta V1$ at every rising edge of the second control signal ($\phi 2$) until the integrator voltage (VINT) is greater than the reference voltage (VREF). In FIG. 4, since the integrator voltage (VINT) becomes greater than the reference voltage (VREF) at the third rising edge of the second control signal ($\phi 2$), the integrator voltage (VINT) has increased by $\Delta V1$ for three times. It is noted that a number of increments of $\Delta V1$ is associated with a predetermined analog signal received at the second terminal (+) of the operational amplifier (OP2), which is the reference voltage (VREF) in this variation of the embodiment, but this disclosure is not limited thereto. Once the integrator voltage (VINT) is greater than the reference voltage (VREF), the comparison signal (VCP) becomes logic "0", and the digital signal (VD) becomes logic "1" at the next rising edge of the clock signal (CLK). Then, the reference switches 61, 62 conduct when the first control signal ($\phi 1$) is logic "1", and the reference switches 65, 66 do not conduct, followed by the integrator voltage (VINT) dropping by $\Delta V2$ at the next rising edge of the second control terminal ($\phi 2$), where

$$\Delta V1 = V_{SEN} \times \frac{C_{SEN}}{C_{INT}} - V_{OFF} \times \frac{C_{SUB}}{C_{INT}} + V_{REF} \times \frac{C_{REF}}{C_{INT}}$$

-continued

$$\Delta V2 = V_{SEN} \times \frac{C_{SEN}}{C_{INT}} - V_{OFF} \times \frac{C_{SUB}}{C_{INT}} - V_{REF} \times \frac{C_{REF}}{C_{INT}}$$

with the parameters defined as follows:

[0064] V_{SEN} : magnitude of sensing voltage

[0065] V_{OFF} : magnitude of offset voltage

[0066] V_{REF} : magnitude of reference voltage

[0067] C_{INT} : capacitance of integrator capacitor

[0068] C_{SEN} : capacitance of to-be-sensed capacitor

[0069] C_{SUB} : capacitance of offset capacitor

[0070] C_{REF} : capacitance of reference capacitor

[0071] According to capacitor charge balance, the following equation (1) may be derived based on charge transfer among the to-be-sensed capacitor (CS), the offset capacitor (CSUB), the reference capacitor (CREF) and the integrator capacitor (CINT) within N operation periods (with one cycle of the clock signal (CLK) defining one operation period):

$$N \times C_{SEN} \times V_{SEN} - N \times C_{SUB} \times V_{OFF} - Z \times C_{REF} \times V_{REF} + (N - Z) \times C_{REF} \times V_{REF} = 0 \quad (1)$$

with the parameters defined below

[0072] N: number of operation periods

[0073] Z: number of operation periods that correspond to a predetermined logic level (e.g., logic "1") of digital signal within N operation periods

[0074] According to equation (1), the series-average value (Z/N) may be derived as follows:

$$\frac{Z}{N} = \frac{C_{SEN} \times V_{SEN} - C_{SUB} \times V_{OFF} + C_{REF} \times V_{REF}}{2 \times C_{REF} \times V_{REF}} \quad (2)$$

[0075] Referring to FIG. 5, a sensible impedance range of the first variation of the embodiment is illustrated by describing a relationship between the series-average value and the corresponding capacitance obtained according to equation (2) (i.e., the sensed impedance value). In practice, the lookup table of the operating unit 9 may be made according to such a relationship. The sensible impedance range may be described as follows:

$$C_{SUB} \times \frac{V_{OFF}}{V_{SEN}} - C_{REF} \times \frac{V_{REF}}{V_{SEN}} \leq C_{SEN} \leq C_{SUB} \times \frac{V_{OFF}}{V_{SEN}} + C_{REF} \times \frac{V_{REF}}{V_{SEN}} \quad (3)$$

According to FIG. 5, it can be seen that a central value of the sensible impedance (capacitance) range is

$$C_{SUB} \times \frac{V_{OFF}}{V_{SEN}},$$

that the sensed impedance (capacitance) value has a sensing resolution proportional to

$$\frac{V_{SEN}}{V_{REF}},$$

and that the sensed impedance value has a linear relationship with the series-average value (Z/N). Since the number (N) of

the operation periods is predetermined, the sensed impedance value has a linear relationship with the number (Z) of the operation periods that correspond to the predetermined logic level of the digital signal within the predetermined number (N) of the operation periods.

[0076] According to the abovementioned equations, a method for adjustment of the impedance-to-digital converting device **2** according to this disclosure is provided as follows:

[0077] 1. The central value of the sensible impedance range can be adjusted by using the signal generating unit **8** to change the ratio of the magnitude of the offset signal to the magnitude of the sensing signal (e.g., V_{OFF}/V_{SEN}). FIG. **6** illustrates that the central value of the sensible impedance range is dynamically adjustable with a constant sensing resolution of the sensed impedance value.

[0078] 2. The sensing resolution of the sensed impedance value can be adjusted by using the signal generating unit **8** to change the ratio of the magnitude of the sensing signal to the magnitude of the reference signal (e.g., V_{SEN}/V_{REF}). FIG. **7** illustrates that both of the sensing resolution of the sensed impedance value and the central value of the sensible impedance range are dynamically adjustable.

[0079] FIGS. **8** and **9** show simulation results of the sensible impedance range of the first variation of the embodiment with different combinations of the sensing signal (V_{SEN}), the offset signal (V_{OFF}) and the reference signal (V_{REF}).

[0080] Referring to FIG. **10**, a second variation of the embodiment is shown to be similar to the first variation, and differs from the first variation in that, the second variation includes a plurality of the offset impedance units 5_1-5_n , a plurality of the reference impedance circuits 6_1-6_n , an offset selector **50** and a reference selector **60**.

[0081] In this variation, each of the offset impedance units 5_1-5_n has a configuration the same as that of the offset impedance unit **5** of the first variation, and each of the reference impedance units 6_1-6_n has a configuration the same as that of the reference impedance unit **6** of the first variation.

[0082] The offset selector **50** has a plurality of inputs respectively coupled to the first terminals of the offset switches **53** of the offset impedance units 5_1-5_n for receiving the second electric charges ($Q2$) therefrom, and an output coupled to the integrator unit **70**. The offset selector **50** selectively provides at least one of the second electric charges ($Q2$) to the integrator unit **70**.

[0083] The reference selector **60** has a plurality of inputs respectively coupled to the first terminals of the reference switches **63** of the reference impedance circuits 6_1-6_n for receiving the third electric charges ($Q3$) therefrom, and an output coupled to the integrator unit **70**. The reference selector **60** selectively provides at least one of the third electric charges ($Q3$) to the integrator unit **70**.

[0084] By virtue of the abovementioned configuration, equivalent capacitance of the offset capacitors (C_{SUB}) may be changed by using the offset selector **50** to select a desired number of the offset impedance units 5_1-5_n , to provide the second electric charges ($Q2$) to the integrator unit **70**, and equivalent capacitance of the reference capacitors (C_{REF}) may be changed by using the reference selector **60** to select a desired number of the reference impedance circuits 6_1-6_n , to provide the third electric charges ($Q3$) to the integrator unit **70**. According to relationship (3), it is known that, in this

variation, the central value of the sensible impedance range may be adjusted by changing the equivalent capacitance of the offset capacitors (C_{SUB}), and the sensing resolution of the sensed impedance value may be adjusted by changing the equivalent capacitance of the reference capacitors (C_{REF}). In this variation, the user may use the signal generating unit **8** to generate an offset select signal (V_{SEL1}) to control selection of the offset selector **50**, and a reference select signal (V_{SEL2}) to control selection of the reference selector **60**.

[0085] Thus, for this variation, the method for adjustment of the impedance-to-digital converting device **2** according to this disclosure is further provided as follows:

[0086] 3. The central value of the sensible impedance range can be adjusted by using the signal generating unit **8** to change the offset select signal (V_{SEL1}) for adjusting a number of the second electric charges ($Q2$) to be provided to the integrator unit **70** (i.e., adjusting the equivalent capacitance of the offset capacitors (C_{SUB})).

[0087] 4. The sensed impedance value can be adjusted by using the signal generating unit **8** to change the reference select signal (V_{SEL2}) for adjusting a number of the third electric charges ($Q3$) to be provided to the integrator unit **70** (i.e., adjusting the equivalent capacitance of the reference capacitors (C_{REF})).

[0088] Referring to FIG. **11**, a third variation of the embodiment is shown to be similar to the first variation, and differs from the first variation in that the to-be-sensed component (ZS) is characterized as a resistor and includes a to-be-sensed resistor (RS) having the first and second terminals of the to-be-sensed component (ZS), and in the third variation, the sensing signal includes a sensing current (I_{SEN}), and the sensing unit **4** further includes a sensing capacitor (C_{SEN}) coupled to the to-be-sensed resistor (RS) in parallel. It is noted that the sensing capacitor (C_{SEN}) may be either an internal capacitor of the impedance-to-digital converting device **2**, or an external capacitor with respect to the impedance-to-digital converting device **2**.

[0089] Referring to FIG. **12**, according to capacitor charge balance, a sensible impedance range of the third variation is shown to be:

$$\frac{C_{SUB}}{C_{SEN}} \times \frac{V_{OFF}}{I_{SEN}} - \frac{C_{REF}}{C_{SEN}} \times \frac{V_{REF}}{I_{SEN}} \leq \quad (4)$$

$$R_{SEN} \leq \frac{C_{SUB}}{C_{SEN}} \times \frac{V_{OFF}}{I_{SEN}} + \frac{C_{REF}}{C_{SEN}} \times \frac{V_{REF}}{I_{SEN}}$$

with the parameters defined as follows:

[0090] R_{SEN} : resistance of to-be-sensed resistor

[0091] I_{SEN} : magnitude of sensing current

[0092] V_{OFF} : magnitude of offset voltage

[0093] V_{REF} : magnitude of reference voltage

[0094] C_{SEN} : capacitance of sensing capacitor

[0095] C_{SUB} : capacitance of offset capacitor

[0096] C_{REF} : capacitance of reference capacitor

[0097] It is known from the above relationship that a central value of the sensible impedance range of the third variation is

$$\frac{C_{SUB}}{C_{SEN}} \times \frac{V_{OFF}}{I_{SEN}},$$

and a sensing resolution of the sensed impedance value is proportional to

$$\frac{I_{SEN}}{V_{REF}}.$$

[0098] Furthermore, since the sensing current (I_{SEN}) may be represented in terms of a relationship between a sensing voltage (V_{SEN}) and an internal resistance (R_B) of the signal generating unit **8**, i.e.,

$$I_{SEN} = \frac{V_{SEN}}{R_B},$$

relationship (4) can also be represented as:

$$\begin{aligned} \frac{C_{SUB}}{C_{SEN}} \times \frac{V_{OFF}}{V_{SEN}} \times R_B - \frac{C_{REF}}{C_{SEN}} \times \frac{V_{REF}}{V_{SEN}} \times R_B &\leq \\ R_{SEN} &\leq \frac{C_{SUB}}{C_{SEN}} \times \frac{V_{OFF}}{V_{SEN}} \times R_B + \frac{C_{REF}}{C_{SEN}} \times \frac{V_{REF}}{V_{SEN}} \times R_B \end{aligned} \quad (5)$$

[0099] In other words, the sensible impedance range (or the sensing resolution of the sensed impedance value) may be adjusted by changing V_{SEN} , and is not limited by R_B .

[0100] In practice, the user may first use appropriate parameter settings of R_B , C_{SUB} , C_{SEN} , C_{REF} , V_{SEN} , V_{OFF} and V_{REF} to perform sensing with a wider sensible impedance range to obtain a rough impedance value of the to-be-sensed component (ZS). Then, the user may shift the central value of the sensible impedance range according to the rough impedance value, and narrow down the sensible impedance range to achieve a higher resolution of the sensed impedance value by changing the abovementioned parameter setting. Accordingly, this disclosure may achieve an effective wider sensible impedance range while maintaining a high sensing resolution of the sensing result with limited chip area. FIG. 13 shows simulation results of the sensible impedance range (R_{SENSOR}) of the third variation with different V_{SEN} and C_{SUB} .

[0101] Referring to FIG. 14, a variation of the sensing unit **4** of the embodiment is shown to be similar to that shown in FIG. 2, and differs therefrom in that this variation is adapted to sense a to-be-sensed component (ZS) having composite impedance (e.g., resistance and capacitance). In this variation, the to-be-sensed component (ZS) includes a resistor (RS) and a capacitor (CS) that are coupled in parallel between the first and second terminals thereof, and the sensing unit **4** further includes a sensing switch **45**, a sensing capacitor (CSEN) and a sensing switch **46** that are coupled in series in the given order between the first and second terminals of the to-be-sensed component (ZS). When the resistance part (i.e., the resistor (RS)) is to be sensed, the sensing capacitor (CSEN) is required, and thus the sensing switches **45**, **46** are switched to be conducting. On the other hand, the sensing capacitor (CSEN) is not required when the

capacitance part (i.e., the capacitor (CS)) is to be sensed, and thus the sensing switches **45**, **46** are switched to be not conducting. Accordingly, the composite impedance of the to-be-sensed component (ZS) can be completed.

[0102] Referring to FIG. 17, another variation of the sensing unit **4** of the embodiment for sensing a to-be-sensed component (ZS) having composite impedance is shown that the sensing signal includes a sensing voltage (VSEN) and a sensing current (ISEN), the to-be-sensed component (ZS) includes a resistor (RS) and a capacitor (CS) that are coupled in parallel between the first and second terminals of the sensing unit **4**, and the sensing unit **4** includes a multiplexer **40**, four sensing switches **41-44**, a sensing capacitor (CSEN) and a switch unit **47**.

[0103] The multiplexer **40** has a first input receiving the sensing voltage (VSEN), a second input receiving the sensing current (ISEN), and an output, and is operable to couple one of the first and second inputs thereof to the output thereof, thereby selectively providing the sensing voltage (VSEN) or the sensing current (ISEN) at the output thereof.

[0104] The sensing switch **41** has a first terminal coupled to the output of the multiplexer **40**, and a second terminal, and is configured to establish or not establish connection between the first and second terminals thereof according to the first control signal ($\phi 1$).

[0105] The sensing switch **42** has a grounded first terminal, and a second terminal, and is configured to establish or not establish connection between the first and second terminals thereof according to the first control signal ($\phi 1$).

[0106] The sensing switch **43** has a first terminal receiving the reference voltage (VREF), and a second terminal coupled to the second terminal of the sensing switch **41**, and is configured to establish or not establish connection between the first and second terminals thereof according to the second control signal ($\phi 2$).

[0107] The sensing switch **44** has a first terminal at which the first electric charge (Q1) is outputted when the sensing switch **44** is conducting, and a second terminal coupled to the second terminal of the sensing switch **42**, and is configured to establish or not establish connection between the first and second terminals thereof according to the second control signal ($\phi 2$). The switch unit **47** includes six switches (S1-S6). The switch (S1) is coupled between the second input of the multiplexer **40** and the first terminal of the to-be-sensed component (ZS). The switch (S2) is coupled between the second terminal of the to-be-sensed component (ZS) and ground. The switch (S3) is coupled between the second terminal of the sensing switch **41** and the first terminal of the to-be-sensed component (ZS). The switch (S4) is coupled between the second terminal of the to-be-sensed component (ZS) and the second terminal of the sensing switch **42**. The switch (S5) is coupled between the second terminal of the sensing switch **41** and a first terminal of the sensing capacitor (CSEN). The switch (S6) is coupled between a second terminal of the sensing capacitor (CSEN) and the second terminal of the sensing switch **42**.

[0108] As shown in FIG. 18, in a case that a capacitance part (i.e., the capacitor (CS)) is to be sensed, the sensing capacitor (CSEN) is not required so the sensing switches (S5, S6) are switched to be not conducting. The multiplexer **40** is operated to couple the first input and the output thereof together, the switches (S3, S4) are switched to be conducting, and the switches (S1, S2) are switched to be not conducting so that the sensing voltage (VSEN) is introduced

to the first terminal of the capacitor (CS) for charging the capacitor (CS) when the first control signal ($\phi 1$) causes the sensing switches (41, 42) to be conducting. In this situation, the sensible impedance range may be expressed as equation (3).

[0109] As shown in FIG. 19, in a case that a resistance part (i.e., the resistor (RS)) is to be sensed, the sensing capacitor (CSEN) is required so the sensing switches (S5, S6) are switched to be conducting. The multiplexer 40 is operated to couple the second input and the output thereof together, the switches (S3, S4) are switched to be not conducting, and the switches (S1, S2) are switched to be conducting so that a voltage at the output and the second input of the multiplexer 40 is introduced to the first terminal of the capacitor (CSEN) for charging the capacitor (CSEN) when the first control signal ($\phi 1$) causes the sensing switches (41, 42) to be conducting. The voltage at the output and the second input of the multiplexer 40 results from the sensing current (ISEN) and the resistor (RS), and has a magnitude of $I_{SEN} \times R_{SEN}$, where I_{SEN} represents a magnitude of the sensing current (ISEN), which may be represented in terms of a relationship between a sensing voltage (V_{SEN}) and an internal resistance (R_B) of the signal generating unit 8, i.e.,

$$I_{SEN} = \frac{V_{SEN}}{R_B},$$

and R_{SEN} represents resistance of the resistor (RS). In this situation, the sensible impedance range may be expressed as equation (4) or (5).

[0110] Referring to FIG. 15, a fourth variation of the embodiment is shown to be similar to the third variation, and differs from the third variation in that the offset signal includes an offset current (IOFF), and the offset impedance component (ZSUB) of the offset impedance unit 5 further includes an offset resistor (ROFF) coupled to the offset capacitor (CSUB) in parallel.

[0111] When the sensing unit 4 receives the sensing current (ISEN), the sensing current (ISEN) flows through the to-be-sensed resistor (RS) to form a voltage ($V_{SEN} = I_{SEN} \times R_{SEN}$), where I_{SEN} represents a magnitude of the sensing current (ISEN), and R_{SEN} represents resistance of the to-be-sensed resistor (RS) that is stored in the sensing capacitor (CSEN) and that is functionally equivalent to the sensing voltage (VSEN) of the first variation.

[0112] When the offset impedance unit 5 receives the offset current (IOFF), the offset current (IOFF) flows through the offset resistor (ROFF) to form a voltage ($V_{OFF} = I_{OFF} \times R_{OFF}$), where I_{OFF} represents a magnitude of the offset current (IOFF), and R_{OFF} represents resistance of the offset resistor (ROFF) that is stored in the offset capacitor (CSUB) and that is functionally equivalent to the offset voltage (VOFF) of the third variation.

[0113] In a similar manner, the reference voltage (VREF) may be generated by a reference current (IREF) flowing through a reference resistor (RREF).

[0114] Referring to FIG. 16, according to capacitor charge balance, a sensible impedance range of the fourth variation is shown to be:

$$\frac{C_{SUB}}{C_{SEN}} \times \frac{I_{OFF}}{I_{SEN}} \times R_{OFF} - \Delta R_{SEN} \leq R_{SEN} \leq \frac{C_{SUB}}{C_{SEN}} \times \frac{I_{OFF}}{I_{SEN}} \times R_{OFF} + \Delta R_{SEN}$$

$$\Delta R_{SEN} = \frac{C_{REF}}{C_{SEN}} \times \frac{I_{REF}}{I_{SEN}} \times R_{REF}$$

with the parameters defined as follows:

[0115] R_{SEN} : resistance of to-be-sensed resistor

[0116] R_{OFF} : resistance of offset resistor

[0117] R_{REF} : resistance of reference resistor

[0118] I_{SEN} : magnitude of sensing current

[0119] I_{OFF} : magnitude of offset current

[0120] I_{REF} : magnitude of reference current

[0121] C_{SEN} : capacitance of sensing capacitor

[0122] C_{SUB} : capacitance of offset capacitor

[0123] C_{REF} : capacitance of reference capacitor

[0124] In summary, the disclosure may have the following advantages:

[0125] 1. The central value of the sensible impedance (including resistance and capacitance) range and the sensing resolution of the sensed impedance value are both adjustable, thereby achieving an effective wider sensible impedance range while maintaining a high sensing resolution of the sensed impedance value.

[0126] 2. The sensible impedance range may be shifted as desired by changing the ratio of the magnitude of the offset signal to the magnitude of the sensing signal, where each of the offset signal and the sensing signal may be either a voltage signal or a current signal.

[0127] 3. The sensing resolution of the sensed impedance value may be adjusted by changing the ratio of the magnitude of the sensing signal to the magnitude of the reference signal, where each of the reference signal and the sensing signal may be either a voltage signal or a current signal.

[0128] 4. The sensible impedance range is not limited by internal resistance of the chip.

[0129] 5. Impedance-to-digital conversion implemented by the disclosed architecture may cover both of capacitance-to-digital conversion and resistance-to-digital conversion.

[0130] 6. Applicable products of the disclosed impedance-to-digital converting device may be significantly promoted. Capacitance sensing has a variety of applications, such as accelerometers, pressure meters, humidity meters, wearable devices, etc., with different requirements for the sensible impedance range and the sensing resolution. The sensible impedance range and the sensing resolution of the disclosed impedance-to-digital converting device are both adjustable by changing magnitudes of signal, thereby being suited to a variety of applications.

[0131] 7. This disclosure may be applied to a wearable device market. Health and fitness are the primarily desired functions for wearable devices, so health-related sensing devices, such as pulsemeter, pulse oximeter, skin moisture sensors, etc., are important to the wearable device market. Environmental sensors, such as sensors for temperature, humidity, ultraviolet, gas (e.g., carbon monoxide), have high market potential. While doing exercise, microphones (voice sensors) may be used to transmit user's instructions, and motion sensors may be used to achieve posture control. Accelerometers, gyroscopes, MEMS microphones and pulse sensors may be implemented into smartwatches. More and more wearable devices implement the abovementioned

applications, thereby leading to high potential of the disclosure in the wearable device market.

[0132] 8. Since the sensible impedance range and the sensing resolution of the disclosure may be adjusted for different applications, high integrity may be achieved, thereby reducing cost of products.

[0133] In the description above, for the purposes of explanation, numerous specific details have been set forth in order to provide a thorough understanding of the embodiment (s). It will be apparent, however, to one skilled in the art, that one or more other embodiments may be practiced without some of these specific details. It should also be appreciated that reference throughout this specification to “one embodiment,” “an embodiment,” an embodiment with an indication of an ordinal number and so forth means that a particular feature, structure, or characteristic may be included in the practice of the disclosure. It should be further appreciated that in the description, various features are sometimes grouped together in a single embodiment, figure, or description thereof for the purpose of streamlining the disclosure and aiding in the understanding of various inventive aspects.

[0134] While the disclosure has been described in connection with what is (are) considered the exemplary embodiment(s), it is understood that this disclosure is not limited to the disclosed embodiment(s) but is intended to cover various arrangements included within the spirit and scope of the broadest interpretation so as to encompass all such modifications and equivalent arrangements.

What is claimed is:

1. An impedance-to-digital converter for sensing an impedance value of a to-be-sensed component, said impedance-to-digital converter comprising:

a sensing unit to be coupled to the to-be-sensed component, disposed to receive a sensing voltage and a sensing current, operable to select one of the sensing voltage and the sensing current to be a sensing signal, and configured to provide the sensing signal to the to-be-sensed component, and to convert the sensing signal into a first electric charge every operation period of said impedance-to-digital converter, an amount of the first electric charge being proportional to a magnitude of the sensing signal;

an offset impedance unit disposed to receive an offset signal, and configured to convert the offset signal into a second electric charge every operation period of said impedance-to-digital converter, an amount of the second electric charge being proportional to a magnitude of the offset signal;

a reference impedance unit disposed to receive a reference signal and a digital signal, and including a reference impedance circuit configured to convert the reference signal into a third electric charge every operation period of said impedance-to-digital converter, an amount of the third electric charge being proportional to a magnitude of the reference signal, a polarity of the third electric charge being associated with a logic level of the digital signal; and

a conversion block receiving the first electric charge, the second electric charge and the third electric charge that are respectively outputted by said sensing unit, said offset impedance unit and said reference impedance unit to cooperatively form a resultant electric charge, and configured to convert the resultant electric charge into the digital signal;

wherein the impedance value sensed by said impedance-to-digital converter has a linear relationship with a number of the operation periods that correspond to a predetermined logic level of the digital signal among a predetermined number of the operation periods;

wherein a central value of a sensible impedance range of said impedance-to-digital converter is proportional to a ratio of a magnitude of the offset signal to a magnitude of the sensing signal.

2. The impedance-to-digital converter of claim 1, wherein the impedance value sensed by said impedance-to-digital converter has a sensing resolution proportional to a ratio of the magnitude of the sensing signal to a magnitude of the reference signal.

3. The impedance-to-digital converter of claim 2, the to-be-sensed component having a first terminal and a second terminal, wherein said sensing unit includes:

a multiplexer having a first multiplexer input to receive the sensing voltage, a second multiplexer input to receive the sensing current, and a multiplexer output;

a first sensing switch disposed to receive a first control signal, having a first terminal coupled to said multiplexer output, and a second terminal, and configured to conduct or not conduct according to the first control signal;

a second sensing switch disposed to receive the first control signal, having a grounded first terminal and a second terminal, and configured to conduct or not conduct according to the first control signal;

a third sensing switch disposed to receive a second control signal, having a first terminal disposed to receive the reference signal, and a second terminal coupled to said second terminal of said first sensing switch, and configured to conduct or not conduct according to the second control signal;

a fourth sensing switch disposed to receive the second control signal, having a first terminal at which the first electric charge is outputted when said fourth sensing switch is conducting, and a second terminal coupled to said second terminal of said second sensing switch, and configured to conduct or not conduct according to the second control signal;

a sensing capacitor having a first terminal and a second terminal; and

a switch unit coupled to said second multiplexer input, said second terminal of said first sensing switch, said first and second terminals of said sensing capacitor, and said second terminal of said second sensing switch, to be coupled to the first and second terminals of the to-be-sensed component, and operable to individually make or break electrical connections between said second multiplexer input and the first terminal of the to-be-sensed component, between said second terminal of said first sensing switch and the first terminal of the to-be-sensed component, between the second terminal of the to-be-sensed component and said second terminal of said second sensing switch, between said second terminal of said first sensing switch and said first terminal of said sensing capacitor, and between said second terminals of said sensing capacitor and said second sensing switch;

wherein said first sensing switch and said third sensing switch do not conduct at the same time.

4. The impedance-to-digital converter of claim 3, wherein said switch unit includes:

- a first switch to couple said second multiplexer input to the first terminal of the to-be-sensed component when conducting;
- a second switch to couple the second terminal of the to-be-sensed component to ground when conducting;
- a third switch to couple said second terminal of said first sensing switch to the first terminal of the to-be-sensed component when conducting;
- a fourth switch to couple said second terminal of said second sensing switch to the second terminal of the to-be-sensed component when conducting;
- a fifth switch coupled between said second terminal of said first sensing switch and said first terminal of said sensing capacitor; and
- a sixth switch coupled between said second terminals of said sensing capacitor and said second sensing switch.

5. The impedance-to-digital converter of claim 3, wherein said offset impedance unit includes:

- an offset capacitor having a first terminal and a second terminal;
- a first offset switch disposed to receive the first control signal, to introduce the offset signal to said first terminal of said offset capacitor when conducting, and configured to conduct or not conduct according to the first control signal;
- a second offset switch disposed to receive the first control signal, to couple said second terminal of said offset capacitor to ground when conducting, and configured to conduct or not conduct according to the first control signal;
- a third offset switch disposed to receive the second control signal, having a first terminal at which the second electric charge is outputted when said third offset switch is conducting, a second terminal coupled to said first terminal of said offset capacitor, and configured to establish or not establish connection between said first and second terminals thereof to be conducting or non-conducting according to the second control signal; and
- a fourth offset switch disposed to receive the second control signal, to introduce the reference signal to said second terminal of said offset capacitor when conducting, and configured to conduct or not conduct according to the second control signal.

6. The impedance-to-digital converter of claim 3, wherein said voltage-to-digital unit is further configured to generate an inverted digital signal that is complementary to the digital signal, and said reference impedance unit further includes:

- a first AND gate configured to perform AND operation on the digital signal and the first control signal so as to generate a first operation signal; and
- a second AND gate configured to perform AND operation on the inverted digital signal and the first control signal so as to generate a second operation signal;

wherein said reference impedance circuit includes:

- a reference capacitor having a first terminal and a second terminal;
- a first reference switch coupled to said first AND gate to receive the first operation signal therefrom, disposed to introduce the reference signal to said first terminal of said reference capacitor when conducting, and configured to conduct or not conduct according to the first operation signal;

a second reference switch coupled to said first AND gate to receive the first operation signal therefrom, disposed to couple said second terminal of said reference capacitor to ground when conducting, and configured to conduct or not conduct according to the first operation signal;

a third reference switch disposed to receive the second control signal, having a first terminal at which the third electric charge is outputted when said third reference switch is conducting, and a second terminal coupled to said first terminal of said reference capacitor, and configured to establish or not establish connection between said first and second terminals thereof to be conducting or non-conducting according to the second control signal;

a fourth reference switch disposed to receive the second control signal, to introduce the reference signal to said second terminal of said reference capacitor when conducting, and configured to conduct or not conduct according to the second control signal;

a fifth reference switch coupled to said second AND gate to receive the second operation signal therefrom, disposed to couple said first terminal of said reference capacitor to ground when conducting, and configured to conduct or not conduct according to the second operation signal; and

a sixth reference switch coupled to said second AND gate to receive the second operation signal therefrom, disposed to introduce the reference signal to said second terminal of said reference capacitor when conducting, and configured to conduct or not conduct according to the second operation signal.

7. The impedance-to-digital converter of claim 3, comprising a plurality of said offset impedance units, and further comprising an offset selector having a plurality of inputs respectively coupled to said offset impedance units for receiving the second electric charges therefrom, and an output coupled to said conversion block, wherein said offset selector is configured to selectively provide at least one of the second electric charges to said conversion block.

8. The impedance-to-digital converter of claim 3, wherein said reference impedance unit includes a plurality of said reference impedance circuits, said impedance-to-digital converter further comprising a reference selector having a plurality of inputs respectively coupled to said reference impedance circuits for receiving the third electric charges therefrom, and an output coupled to said conversion block, wherein said reference selector is configured to selectively provide at least one of the third electric charges to said conversion block.

9. The impedance-to-digital converter of claim 8, wherein said voltage-to-digital unit is further configured to generate an inverted digital signal that is complementary to the digital signal;

wherein said reference impedance unit further includes:

a first AND gate configured to perform AND operation on the digital signal and the first control signal so as to generate a first operation signal; and

a second AND gate configured to perform AND operation on the inverted digital signal and the first control signal so as to generate a second operation signal;

wherein each of said reference impedance circuits includes:

- a reference capacitor having a first terminal and a second terminal;
- a first reference switch coupled to said first AND gate to receive the first operation signal therefrom, disposed to introduce the reference signal to said first terminal of said reference capacitor when conducting, and configured to conduct or not conduct according to the first operation signal;
- a second reference switch coupled to said first AND gate to receive the first operation signal therefrom, disposed to couple said second terminal of said reference capacitor to ground when conducting, and configured to conduct or not conduct according to the first operation signal;
- a third reference switch disposed to receive the second control signal, having a first terminal at which the third electric charge is outputted when said third reference switch is conducting, and a second terminal coupled to said first terminal of said reference capacitor, and configured to establish or not establish connection between said first and second terminals thereof to be conducting or non-conducting according to the second control signal;
- a fourth reference switch disposed to receive the second control signal, to introduce the reference signal to said second terminal of said reference capacitor when conducting, and configured to conduct or not conduct according to the second control signal;
- a fifth reference switch coupled to said second AND gate to receive the second operation signal therefrom, disposed to couple said first terminal of said reference capacitor to ground when conducting, and configured to conduct or not conduct according to the second operation signal; and
- a sixth reference switch coupled to said second AND gate to receive the second operation signal therefrom, disposed to introduce the reference signal to said second terminal of said reference capacitor when conducting, and configured to conduct or not conduct according to the second operation signal.

10. The impedance-to-digital converter of claim 3, the offset signal including an offset voltage, the reference signal including a reference voltage, and the to-be-sensed component including a to-be-sensed capacitor that has the first and second terminals of the to-be-sensed component, wherein said offset impedance unit includes an offset capacitor, said reference impedance unit includes a reference capacitor, and said impedance-to-digital converter is configured to satisfy:

$$\frac{Z}{N} = \frac{C_{SEN} \times V_{SEN} - C_{SUB} \times V_{OFF} + C_{REF} \times V_{REF}}{2 \times C_{REF} \times V_{REF}}; \text{ and}$$

$$C_{SUB} \times \frac{V_{OFF}}{V_{SEN}} - C_{REF} \times \frac{V_{REF}}{V_{SEN}} \leq C_{SEN} \leq C_{SUB} \times \frac{V_{OFF}}{V_{SEN}} + C_{REF} \times \frac{V_{REF}}{V_{SEN}};$$

where

“N” represents the predetermined number of the operation periods,

“Z” represents the number of the operation periods that correspond to the predetermined logic level of the digital signal among the predetermined number of the operation periods,

“ C_{SEN} ” represents the impedance value of the to-be-sensed capacitor sensed by said impedance-to-digital converter,

“ C_{SUB} ” represents capacitance of said offset capacitor, “ C_{REF} ” represents capacitance of said reference capacitor,

“ V_{SEN} ” represents a magnitude of the sensing voltage, “ V_{OFF} ” represents a magnitude of the offset voltage, and

“ V_{REF} ” represents a magnitude of the reference voltage;

wherein the central value of the sensible impedance range of said impedance-to-digital converter is

$$C_{SUB} \times \frac{V_{OFF}}{V_{SEN}},$$

and the sensing resolution of the impedance value sensed by said impedance-to-digital converter is proportional to

$$\frac{V_{SEN}}{V_{REF}}.$$

11. The impedance-to-digital converter of claim 3, the offset signal including an offset voltage, the reference signal including a reference voltage, and the to-be-sensed component including a to-be-sensed resistor that has the first and second terminals of the to-be-sensed component, wherein said offset impedance unit includes an offset capacitor, said reference impedance unit includes a reference capacitor, and said impedance-to-digital converter is configured to satisfy:

$$\frac{C_{SUB}}{C_{SEN}} \times \frac{V_{OFF}}{I_{SEN}} - \frac{C_{REF}}{C_{SEN}} \times \frac{V_{REF}}{I_{SEN}} \leq R_{SEN} \leq \frac{C_{SUB}}{C_{SEN}} \times \frac{V_{OFF}}{I_{SEN}} + \frac{C_{REF}}{C_{SEN}} \times \frac{V_{REF}}{I_{SEN}};$$

where

“ R_{SEN} ” represents the impedance value of the to-be-sensed resistor sensed by said impedance-to-digital converter,

“ C_{SEN} ” represents capacitance of said sensing capacitor,

“ C_{SUB} ” represents capacitance of said offset capacitor,

“ C_{REF} ” represents capacitance of said reference capacitor,

“ I_{SEN} ” represents a magnitude of the sensing current,

“ V_{OFF} ” represents a magnitude of the offset voltage, and

“ V_{REF} ” represents a magnitude of the reference voltage;

wherein the central value of the sensible impedance range of said impedance-to-digital converter is

$$\frac{C_{SUB}}{C_{SEN}} \times \frac{V_{OFF}}{I_{SEN}},$$

and the sensing resolution of the impedance value sensed by said impedance-to-digital converter is proportional to

$$\frac{I_{SEN}}{V_{REF}}$$

12. The impedance-to-digital converter of claim 3, wherein said offset impedance unit includes:

- an offset capacitor having a first terminal and a second terminal;
- an offset resistor coupled to said offset capacitor in parallel;
- a first offset switch disposed to receive the first control signal, to introduce the offset signal to said first terminal of said offset capacitor when conducting, and configured to conduct or not conduct according to the first control signal;
- a second offset switch disposed to receive the first control signal, to couple said second terminal of said offset capacitor to ground when conducting, and configured to conduct or not conduct according to the first control signal;
- a third offset switch disposed to receive the second control signal, having a first terminal at which the second electric charge is outputted when said third offset switch is conducting, a second terminal coupled to said first terminal of said offset capacitor, and configured to establish or not establish connection between said first and second terminals thereof to be conducting or non-conducting according to the second control signal; and
- a fourth offset switch disposed to receive the second control signal, to introduce the reference signal to said second terminal of said offset capacitor when conducting, and configured to conduct or not conduct according to the second control signal.

13. The impedance-to-digital converter of claim 12, the offset signal including an offset current, the reference signal including a reference voltage, and the to-be-sensed component including a to-be-sensed resistor that has the first and second terminals of the to-be-sensed component, wherein said reference impedance unit includes a reference capacitor, and said impedance-to-digital converter is configured to satisfy:

$$\frac{C_{SUB}}{C_{SEN}} \times \frac{I_{OFF}}{I_{SEN}} \times R_{OFF} - \Delta R_{SEN} \leq R_{SEN} \leq \frac{C_{SUB}}{C_{SEN}} \times \frac{I_{OFF}}{I_{SEN}} \times R_{OFF} + \Delta R_{SEN}; \text{ and}$$

$$\Delta R_{SEN} = \frac{C_{REF}}{C_{SEN}} \times \frac{V_{REF}}{I_{SEN}};$$

where

- “ R_{SEN} ” represents the impedance value of the to-be-sensed resistor sensed by said impedance-to-digital converter,
- “ R_{OFF} ” represents resistance of said offset resistor,
- “ C_{SEN} ” represents capacitance of said sensing capacitor,
- “ C_{SUB} ” represents capacitance of said offset capacitor,
- “ C_{REF} ” represents capacitance of said reference capacitor,
- “ I_{SEN} ” represents a magnitude of the sensing current,
- “ I_{OFF} ” represents a magnitude of the offset current, and

“ V_{REF} ” represents a magnitude of the reference voltage.

14. The impedance-to-digital converter of claim 1, the to-be-sensed component having a first terminal and a second terminal, wherein said sensing unit includes:

- a multiplexer having a first multiplexer input to receive the sensing voltage, a second multiplexer input to receive the sensing current, and a multiplexer output;
- a first sensing switch disposed to receive a first control signal, having a first terminal coupled to said multiplexer output, and a second terminal, and configured to conduct or not conduct according to the first control signal;
- a second sensing switch disposed to receive the first control signal, having a grounded first terminal and a second terminal, and configured to conduct or not conduct according to the first control signal;
- a third sensing switch disposed to receive a second control signal, having a first terminal disposed to receive the reference signal, and a second terminal coupled to said second terminal of said first sensing switch, and configured to conduct or not conduct according to the second control signal;
- a fourth sensing switch disposed to receive the second control signal, having a first terminal at which the first electric charge is outputted when said fourth sensing switch is conducting, and a second terminal coupled to said second terminal of said second sensing switch, and configured to conduct or not conduct according to the second control signal;
- a sensing capacitor having a first terminal and a second terminal; and
- a switch unit coupled to said second multiplexer input, said second terminal of said first sensing switch, said first and second terminals of said sensing capacitor, and said second terminal of said second sensing switch, to be coupled to the first and second terminals of the to-be-sensed component, and operable to individually make or break electrical connections between said second multiplexer input and the first terminal of the to-be-sensed component, between said second terminal of said first sensing switch and the first terminal of the to-be-sensed component, between the second terminal of the to-be-sensed component and said second terminal of said second sensing switch, between said second terminal of said first sensing switch and said first terminal of said sensing capacitor, and between said second terminals of said sensing capacitor and said second sensing switch;

wherein said first sensing switch and said third sensing switch do not conduct at the same time.

15. The impedance-to-digital converter of claim 14, wherein said switch unit includes:

- a first switch to couple said second multiplexer input to the first terminal of the to-be-sensed component when conducting;
- a second switch to couple the second terminal of the to-be-sensed component to ground when conducting;
- a third switch to couple said second terminal of said first sensing switch to the first terminal of the to-be-sensed component when conducting;
- a fourth switch to couple said second terminal of said second sensing switch to the second terminal of the to-be-sensed component when conducting;

a fifth switch coupled between said second terminal of said first sensing switch and said first terminal of said sensing capacitor; and

a sixth switch coupled between said second terminals of said sensing capacitor and said second sensing switch.

16. An impedance-to-digital converting device for sensing an impedance value of a to-be-sensed component, comprising:

an impedance-to-digital converter including:

a sensing unit to be coupled to the to-be-sensed component, disposed to receive a sensing voltage and a sensing current, operable to select one of the sensing voltage and the sensing current to be a sensing signal, and configured to provide the sensing signal to the to-be-sensed component, and to convert the sensing signal into a first electric charge every operation period of said impedance-to-digital converter, an amount of the first electric charge being proportional to a magnitude of the sensing signal;

an offset impedance unit disposed to receive an offset signal, and configured to convert the offset signal into a second electric charge every operation period of said impedance-to-digital converter, an amount of the second electric charge being proportional to a magnitude of the offset signal;

a reference impedance unit disposed to receive a reference signal and a digital signal that has a series of logic values, and including a reference impedance circuit configured to convert the reference signal into a third electric charge every operation period of said impedance-to-digital converter, an amount of the third electric charge being proportional to a magnitude of the reference signal, a polarity of the third electric charge being associated with a logic level of the digital signal; and

a conversion block receiving the first electric charge, the second electric charge and the third electric charge that are respectively outputted by said sensing unit, said offset impedance unit and said reference impedance unit to cooperatively form a resultant electric charge, and configured to convert the resultant electric into the digital signal; and

an operation unit coupled to said conversion block for receiving therefrom the digital signal, and configured to perform an average operation of the series of logic values of the digital signal to generate a series-average value;

wherein said operation unit includes a lookup table recording a pre-stored impedance value that corresponds to the series-average value thus generated, and is further configured to obtain the pre-stored impedance value from said lookup table according to the series-average value, and to output the pre-stored impedance value to serve as a sensed impedance value corresponding to the to-be-sensed component;

wherein the impedance value sensed by said impedance-to-digital converting device has a linear relationship with a number of the operation periods that correspond to a predetermined logic level of the digital signal among a predetermined number of the operation periods;

wherein a central value of a sensible impedance range of said impedance-to-digital converter is proportional to a ratio of a magnitude of the offset signal to a magnitude of the sensing signal;

wherein the impedance value sensed by impedance-to-digital converting device has a sensing resolution proportional to a ratio of the magnitude of the sensing signal to a magnitude of the reference signal.

17. The impedance-to-digital converting device of claim **16**, the to-be-sensed component having a first terminal and a second terminal, wherein said sensing unit includes:

a multiplexer having a first multiplexer input to receive the sensing voltage, a second multiplexer input to receive the sensing current, and a multiplexer output;

a first sensing switch disposed to receive a first control signal, having a first terminal coupled to said multiplexer output, and a second terminal, and configured to conduct or not conduct according to the first control signal;

a second sensing switch disposed to receive the first control signal, having a grounded first terminal and a second terminal, and configured to conduct or not conduct according to the first control signal;

a third sensing switch disposed to receive a second control signal, having a first terminal disposed to receive the reference signal, and a second terminal coupled to said second terminal of said first sensing switch, and configured to conduct or not conduct according to the second control signal;

a fourth sensing switch disposed to receive the second control signal, having a first terminal at which the first electric charge is outputted when said fourth sensing switch is conducting, and a second terminal coupled to said second terminal of said second sensing switch, and configured to conduct or not conduct according to the second control signal;

a sensing capacitor having a first terminal and a second terminal; and

a switch unit coupled to said second multiplexer input, said second terminal of said first sensing switch, said first and second terminals of said sensing capacitor, and said second terminal of said second sensing switch, to be coupled to the first and second terminals of the to-be-sensed component, and operable to individually make or break electrical connections between said second multiplexer input and the first terminal of the to-be-sensed component, between said second terminal of said first sensing switch and the first terminal of the to-be-sensed component, between the second terminal of the to-be-sensed component and said second terminal of said second sensing switch, between said second terminal of said first sensing switch and said first terminal of said sensing capacitor, and between said second terminals of said sensing capacitor and said second sensing switch;

wherein said first sensing switch and said third sensing switch do not conduct at the same time.

18. The impedance-to-digital converting device of claim **17**, wherein said switch unit includes:

a first switch to couple said second multiplexer input to the first terminal of the to-be-sensed component when conducting;

a second switch to couple the second terminal of the to-be-sensed component to ground when conducting;

- a third switch to couple said second terminal of said first sensing switch to the first terminal of the to-be-sensed component when conducting;
- a fourth switch to couple said second terminal of said second sensing switch to the second terminal of the to-be-sensed component when conducting;
- a fifth switch coupled between said second terminal of said first sensing switch and said first terminal of said sensing capacitor; and
- a sixth switch coupled between said second terminals of said sensing capacitor and said second sensing switch.

* * * * *